



## Standard Features & Accessories

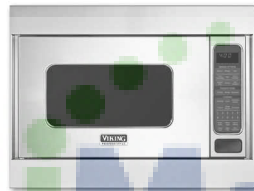
### Both ovens include

- Capacity—2.0 cu. ft.
  - 17-3/8"W. x 10"H. x 18-5/8"D.
  - 16" diameter turntable
- Commercial-type styling and design
- 13 Sensor settings—adjusts cooking times and power levels for a variety of foods and quantities
- Breakfast and Lunch options for cooking and re-heating popular food items
- 15 Minute Dinners and Preset Recipes each offer five recipes with easy-to-follow steps
- Add-A-Minute allows you to add a minute of extra cooking time with the touch of one button
- Warm/Hold feature allows you to keep food warm for up to 30 minutes
- Child lock safety feature locks the control panel to prevent unwanted operation
- Interior light
- Suitable for placement on countertop, in 30"W. or 36"W. multi-use chamber, or installed as a built-in using a trim kit. (Chambers and trim kits sold separately—see **Installation Notes & Accessories** for part numbers.)

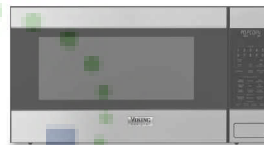
## Model Options



**VMOS201**  
Professional Custom  
Microwave Oven



**VMOS201\***  
w/Trim Kit



**DMOS201**  
Designer  
Microwave Oven



**DMOS201\***  
w/Trim Kit

#### FINISH DETAILS FOR PROFESSIONAL MODEL

- Stainless Steel (SS), Black (BK), White (WH), Metallic Silver (MS), Graphite Gray (GG), Stone Gray (SG), Taupe (TP), Biscuit (BT), Cotton White (CW), Oyster Gray (OG), Golden Mist (GM), Lemonade (LE), Sage (SA), Mint Julep (MJ), Sea Glass (SE), Iridescent Blue (IB), Viking Blue (VB), Pumpkin (PM), Racing Red (RR), Apple Red (AR), Burgundy (BU), Plum (PL), Chocolate (CH), and Cobalt Blue (CB).

#### FINISH DETAILS FOR DESIGNER MODEL

- Stainless Steel (SS)

\*Shown with trim kit. See **Installation Notes & Accessories** for details.

#### ORDERING INSTRUCTIONS

First specify model number, and then color code (VMOS201SS).





★ Please see  
Installation Notes  
and Accessories for  
important information,  
including trim kits and  
multi-use chambers.

## Dimensions & Specifications

### PRODUCT DIMENSIONS



**VMOS201**  
Professional Custom  
Microwave Oven



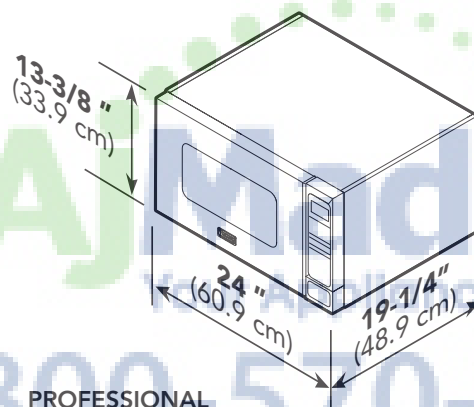
**VMOS201**  
w/Trim Kit



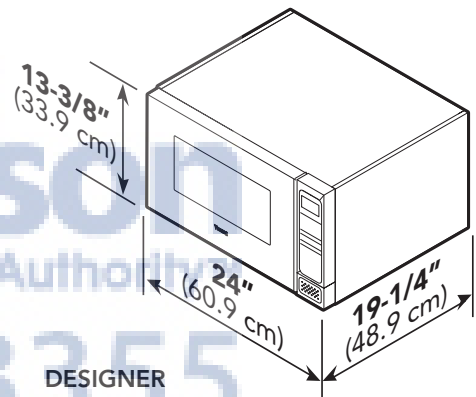
**DMOS201**  
Designer  
Microwave Oven



**DMOS201**  
w/Trim Kit



**PROFESSIONAL  
CUSTOM**



**DESIGNER**

All models	
Overall width	24" (60.9 cm)
Overall height (from bottom)	13-3/8" (33.9 cm)
Overall depth (from rear)	19-1/4" (48.9 cm)
Interior (each oven)	
Width	17-3/8" (44.1 cm)
Height	10-1/2" (26.6 cm)
Depth	18-5/8" (47.3 cm)
Approx. ship weight	46 lbs. (20.9 kg)



**UTILITY REQUIREMENTS**



**GAS**  
• Not applicable



**ELECTRICAL**

- Three-and-a-half foot power cord included
- 120 VAC/60 Hz
- Maximum amp usage—
  - VMOS— 13 (1.5 kW)
  - DMOS— 13 (1.5 kW)



**PLUMBING**  
Not applicable

**Installation Requirements**

**ACCESS REQUIREMENTS**

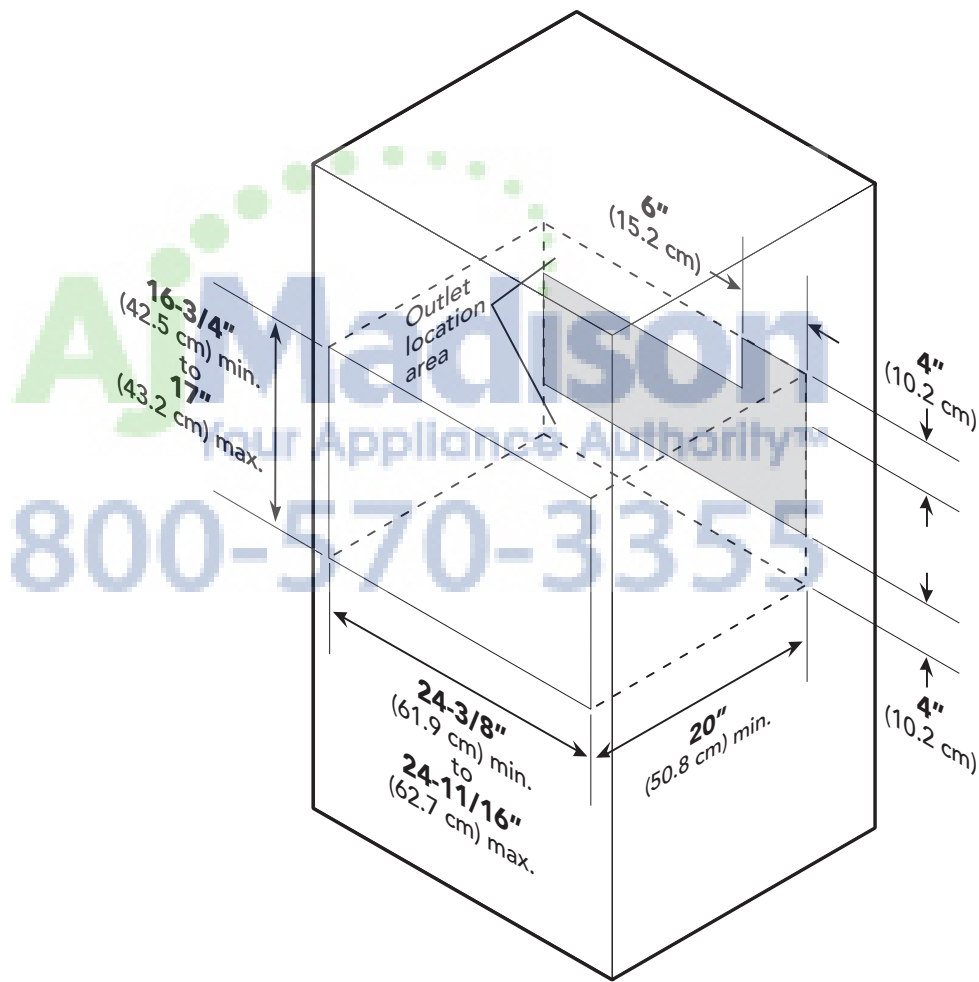


**VMOS201**  
Professional Custom  
Microwave Oven

**VMOS201**  
w/Trim Kit

**DMOS201**  
Designer  
Microwave Oven

**DMOS201**  
w/Trim Kit



**Appliance Authority™**  
800-570-3355

All Models	
Cutout width	24-3/8" (61.9 cm) min. to 24-11/16" (62.7 cm) max.
Cutout height	16-3/4" (42.5 cm) min. to 17" (43.2) max.
Cutout depth	20" (50.8 cm)



## ✪ Installation Notes & Accessories

### Built-In Trim Kits

- Stainless Steel (SS)
- Designed to match with corresponding ovens and warming drawers
- Trim gives finished look to ovens installed as built-in units
- Kit includes frame assemblies, exhaust duct assembly, and metal fasteners

Model	Description	Approx. ship wt. lbs. (kg)
VMTK272	26-1/2"W./18-1/4"H. Professional microwave trim	12.9 (5.8)
VMTK302	29-1/2"W./18-1/4"H. Professional microwave trim	13.9 (6.3)
VMTK362	35-1/4"W./18-1/4"H. Professional microwave trim	14.9 (6.8)
DMTK302	29-1/2"W./17-1/2"H. Designer microwave trim	15 (6.9)



### Compliance Information



### WARRANTY INFORMATION\*

- Three-year full warranty—complete product (Professional Series)
- One-year full warranty—complete product (Designer Series)
- Five-year limited warranty—magnetron tube (Professional and Designer)
- Ninety-day limited warranty—cosmetic parts such as glass, painted, and decorative items (Professional and Designer)

\*For complete warranty see *Use & Care Guide*. Warranty valid on Viking products shipped within the United States and Canada.

