



# Professional Custom Series Freestanding Gas 60"W. Sealed Burner Range

## Standard Features & Accessories

### All models include

- Both ovens
  - Overall capacity—4.0 cu. ft. (23"W. x 16-1/8"H. x 18-3/4"D.)
  - AHAM Standard capacity—3.7 cu. ft. (23"W. x 16-1/8"H. x 17"D.)
  - Three heavy-duty racks/six positions and two halogen oven lights
- **Exclusive** VSH™ Pro Sealed Burner System (VariSimmer™ to High) – combination of unique patented burner and top design provides cleanability plus superior performance at simmer and high
- **Exclusive** SureSpark™ Ignition System for all burners
- **Exclusive** VariSimmer setting for all burners
- **Exclusive** one-piece tooled and

porcelainized cooking surface contains spills for easy cleaning

- **Exclusive** combination of single U-shaped bake burner and infrared broil burner, all with electric spark ignition
- Six functions – natural airflow bake, convection bake, infrared broil, convection infrared broil, convection dehydrate and convection defrost
- Shipped standard with heavy-duty metal knobs with stainless steel finish
- Shipped standard with stainless steel island trim
- Standard kickspace height

### 6GQ models include

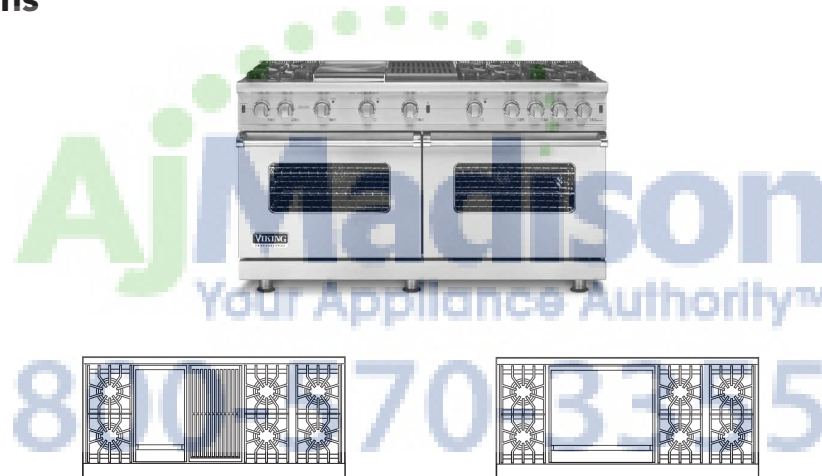
- **Exclusive** one TruPower Plus™ 18,500 BTU Burner (front right burner)

- Five 15,000 BTU stainless steel burners with porcelain/cast iron caps and automatic ignition/re-ignition
- 12"W. thermostatically controlled steel griddle/simmer plate
- 12"W. grill with flavor generator plates and automatic ignition/re-ignition

### 6G models include

- **Exclusive** one TruPower Plus™ 18,500 BTU Burner (front right burner)
- Five 15,000 BTU brass sealed burners with porcelain/cast iron caps and automatic ignition/re-ignition
- 24"W. thermostatically controlled steel griddle/simmer plate

## Model Options



**VGCC560-6GQ\***  
Six-Burner/Grill/  
Griddle Range

**VGCC560-6G\***  
Six-Burner/  
24"W. Griddle Range

### FINISH DETAILS FOR ALL MODELS

- Stainless Steel (SS), Black (BK), White (WH), Metallic Silver (MS), Graphite Gray (GG), Stone Gray (SG), Taupe (TP), Biscuit (BT), Cotton White (CW), Oyster Gray (OG), Golden Mist (GM), Lemonade (LE), Sage (SA), Mint Julep (MJ), Sea Glass (SE), Iridescent Blue (IB), Viking Blue (VB), Pumpkin (PM), Racing Red (RR), Apple Red (AR), Burgundy (BU), Plum (PL), Chocolate (CH), and Cobalt Blue (CB).
  - Finish designates door front, lower front panel, and side panels.

- All finishes have black porcelain grates, black porcelain burner caps, black porcelain grate supports, stainless steel knobs and black switches.
- All finishes have stainless steel handle/chrome-plated brackets and stainless steel drip tray pull, control panel, and landing ledge.

- Brass Accent Option (BR)—nameplate, handle endcaps and knob bezels. Brass components have a durable protective coating for maintenance-free normal use.

\*Shown throughout with island trim. See **Installation Notes & Accessories** for details.

### ORDERING INSTRUCTIONS

First specify model number, and then color code (VGCC560-6GQSS). If ordering optional brass accent, specify code at end (VGCC560-6GQSSBR). If ordering optional LP conversion, specify code at end (VGCC560-6GQSSBRLP).





**COOKING**



**Professional Custom Series Freestanding Gas 60"W. Sealed Burner Range**

**Dimensions & Specifications**

**PRODUCT DIMENSIONS & DOOR SWING**



**VGCC560-6GQ  
Six-Burner/Grill/  
Griddle Range**

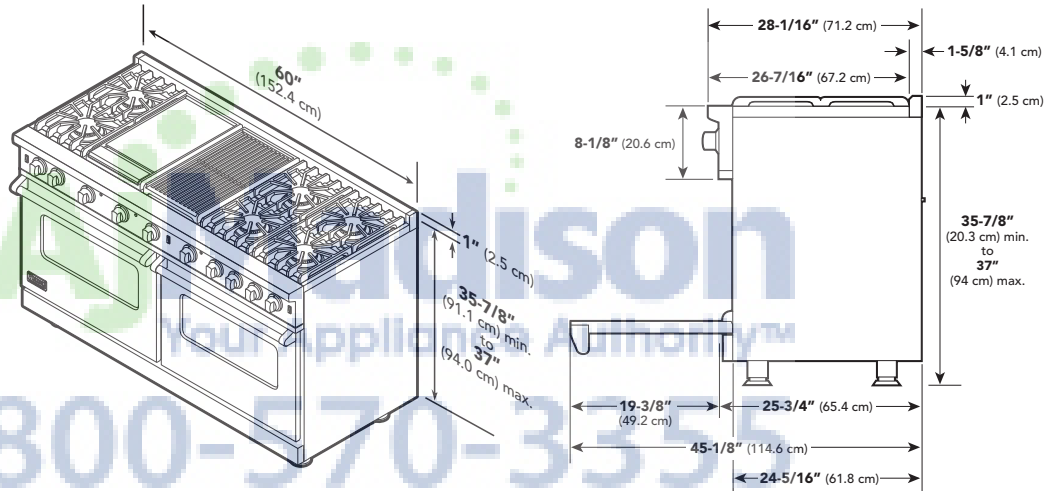
**VGCC560-6G  
Six-Burner/  
24"W. Griddle Range**

★ Please see **Installation Notes & Accessories** for important installation information including backguard, high-shelf, island trim, and curb base front.



**ALL MODELS**

**Star-K Kosher Certification for use on the Jewish Sabbath or Jewish holidays**



All models	
Overall width	<b>60" (152.4 cm)</b>
Overall height	
Base height	
To top of side trim	<b>35-7/8" (91.1 cm) min. to 37" (94.0 cm) max.</b>
Legs adjust (with "spindles" fully extended)	<b>1-1/8" (2.9 cm)</b>
Additions to base height	
To top of island trim	<b>Add 1" (2.5 cm)</b>
To top of 8" backguard	<b>Add 8" (20.3 cm)</b>
To top of high-shelf	<b>Add 23-1/2" (59.7 cm)</b>
Overall depth (from rear)*	
To end of side panel	<b>24-5/16" (61.8 cm)</b>
To front of door	<b>25-3/4" (65.4 cm)</b>
To end of landing edge	<b>28-1/16" (71.2 cm)</b>
To end of door handle	<b>28-11/16" (72.9 cm)</b>
*Add 1" (2.5 cm) to 60" VGCC ranges installed against a combustible wall.	
Oven	
Interior width	<b>23" (58.4 cm)</b>
Interior height	<b>16-1/8" (41.0 cm)</b>
Interior depth	<b>Overall – 18-3/4" (47.6 cm)/AHAM – 17" (43.2 cm)</b>
Overall interior size	<b>Overall – 4.0 cu. ft./AHAM – 3.7 cu. ft.</b>

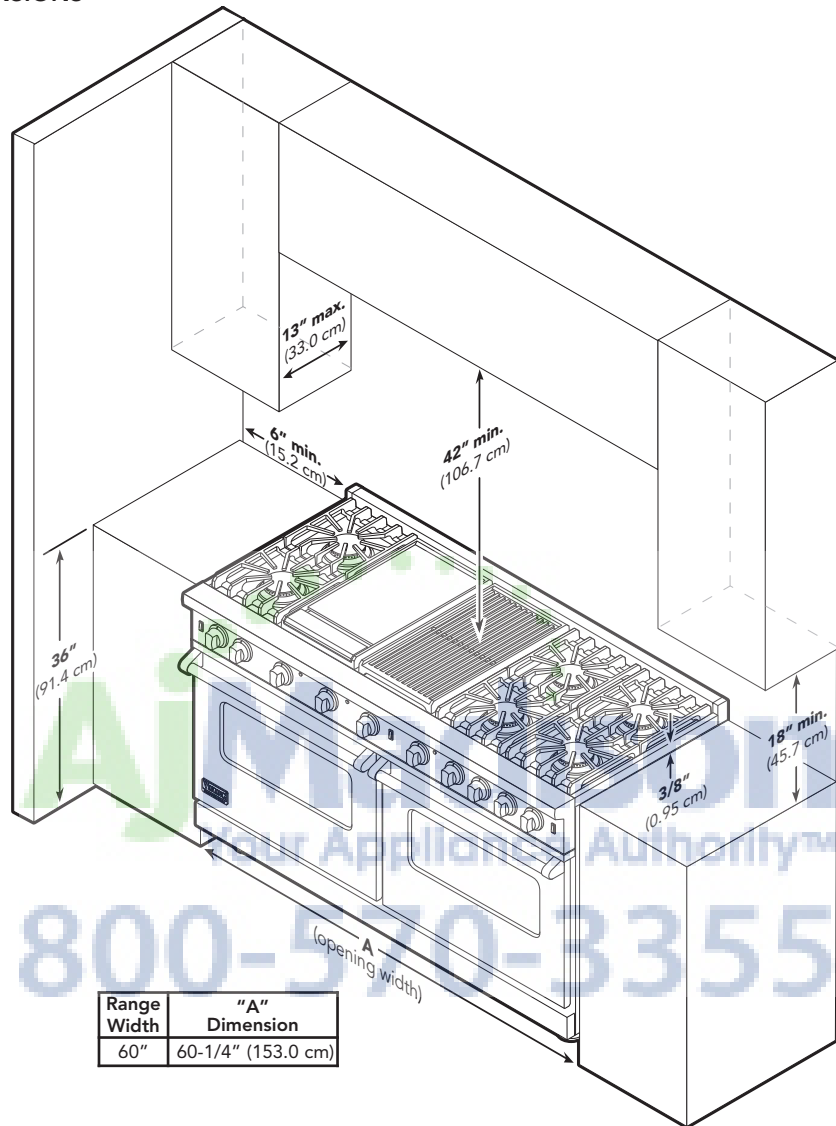




# Professional Custom Series Freestanding Gas 60"W. Sealed Burner Range

## Dimensions & Specifications

### CLEARANCE DIMENSIONS



#### Minimum clearances from adjacent combustible construction

- Cooking surface and below, i.e., 36" (91.4 cm) and below
  - o Sides—0"
  - o Rear—1" with backguard or high-shelf; 0" with island trim and non-combustible rear wall; 6" (15.2 cm) with island trim and combustible rear wall
  - o Top grate support—36" (91.4 cm)
- Above cooking surface, i.e., above 36" (91.4 cm)
  - o Sides—6" (15.2 cm)
  - o Within 6" (15.2 cm) side clearance, wall cabinets no deeper than 13" (33.0 cm) must be minimum 18" (45.7 cm) above cooking surface

- o Wall cabinets directly above product must be minimum 42" (106.7 cm) for sealed top burners above cooking surface
- Use range only with factory supplied legs
  1. This range may be installed directly adjacent to existing 36" (91.4 cm) high base cabinets. **Important:** The top grate support **must** be 3/8" (0.95 cm) above the adjacent base cabinet countertop. This may be accomplished by raising the unit using the adjustment spindles on the legs.
  2. The range **cannot** be installed directly adjacent to sidewalls, tall cabinets, tall appliances, or other side vertical surfaces above 36" (91.4 cm) high.

- There must be a minimum of 6" (15.2 cm) side clearance from the range to such combustible surfaces above the 36" (91.4 cm) counter height.
3. Within the 6" (15.2 cm) side clearance to combustible vertical surfaces above 36" (91.4 cm), the maximum wall cabinet depth must be 13" (33.0 cm) and wall cabinets within this 6" (15.2 cm) side clearance must be 18" (45.7 cm) above the 36" (91.4 cm) high countertop.
  4. Wall cabinets above the range must be a minimum of 42" (106.7 cm) above the range cooking surface for the full width of the range. This minimum height requirement does not apply if a range hood is installed over the cooking surface.





# Professional Custom Series Freestanding Gas 60"W. Sealed Burner Range

## UTILITY REQUIREMENTS



### GAS

- Shipped natural gas standard; field convert to LP/propane with optional accessory kit or order as LP by adding LP after color code
- Accepts standard residential 1/2" ID gas service line
- Gas manifold pressure
  - o Natural gas 5.0" W.C.P.
  - o LP/Propane 10.0" W.C.P.



### ELECTRICAL

- Four-foot (121.9 cm) cord included with range
- Three-wire with ground/three-prong plug
- 120 V/60 Hz
- Maximum amp usage—
  - o 6G—1.66
  - o 6GQ—1.66



### PLUMBING

Not applicable

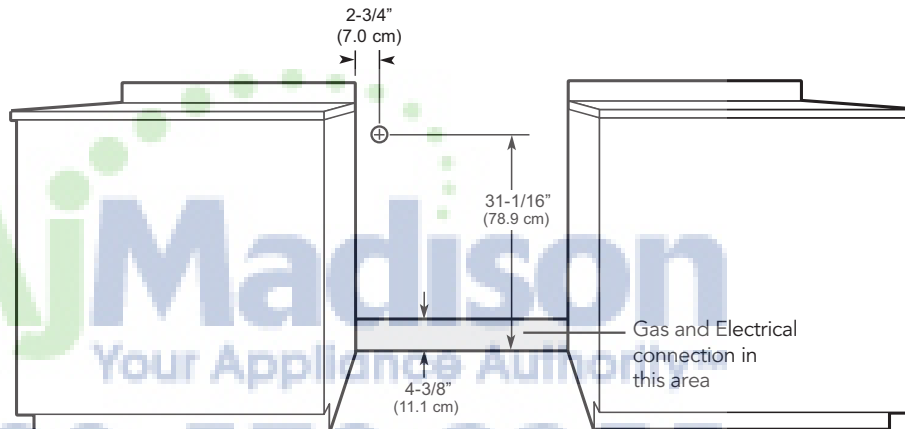
## Installation Requirements

### ACCESS REQUIREMENTS



**VGCC560-6GQ**  
Six-Burner/Grill/  
Griddle Range

**VGCC560-6G**  
Six-Burner/  
24"W. Griddle Range



**AjMadison**  
Your Appliance Authority  
800-570-3355



**Note:** Ground plug and electrical wire toward the direction of the electrical outlet.

	<b>VGCC560-6GQ</b>	<b>VGCC560-6G</b>
Surface burner rating		
Grated burners (each)	<b>15,000 BTU LP (4.4 kW)/12,500 BTU LP (3.7 kW)</b>	
TruPower Plus™ burner (front right)	<b>18,500 BTU Nat. (5.4 kW)/16,600 BTU LP (4.9 kW)</b>	
Griddle	15,000 BTU Nat. (4.4 kW)/ 12,500 BTU LP (3.7 kW)	Two at 15,000 BTU Nat. (4.4 kW)/ 12,500 BTU LP (3.7 kW)
Grill	18,000 BTU Nat. (5.3 kW)/ 16,000 BTU LP (4.7 kW)	
Broil burner rating	<b>18,000 BTU Nat. (5.3 kW)/16,000 BTU LP (4.7 kW)</b>	
Bake burner rating	<b>30,000 BTU Nat./LP (8.8 kW)</b>	





# Professional Custom Series Freestanding Gas 60"W. Sealed Burner Range

COOKING



## ✦ Installation Notes & Accessories

A backguard, high-shelf, or island trim must be used for all installations.

### Island Trim

- Stainless Steel (SS)
- Coordinates with all finishes
- For island/peninsula installation
- Can replace backguard if wall is non-combustible
- Included and shipped automatically with range

Model	Description	Approx. ship wt. lbs. (kg)
P60TII	60"W. island trim	15 (6.8)

### 8"H. Backguard

- Stainless Steel (SS)
- Coordinates with all finishes

Model	Description	Approx. ship wt. lbs. (kg)
P601BG8	60"W. backguard	24 (10.8)

### High-shelf

- Stainless Steel (SS)
- Coordinates with all finishes
- Shelf comes attached to a 24"H. backguard

Model	Description	Approx. ship wt. lbs. (kg)
B60HS24	60"W. high-shelf	60 (27.0)

### Countertop Side Trim

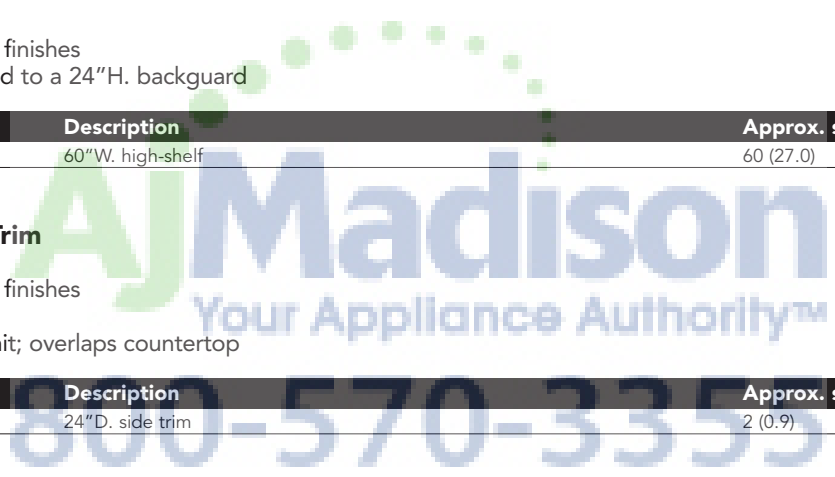
- Stainless Steel (SS)
- Coordinates with all finishes
- One pair of trim
- Installs on side of unit; overlaps countertop

Model	Description	Approx. ship wt. lbs. (kg)
P24CST	24"D. side trim	2 (0.9)

### Countertop Rear Trim

- Stainless Steel (SS)
- Coordinates with all finishes

Model	Description	Approx. ship wt. lbs. (kg)
P60CRT	60"W. countertop rear trim	2 (0.9)





# Professional Custom Series Freestanding Gas 60"W. Sealed Burner Range

## ✦ Installation Notes & Accessories

### Curb Base Front

- Stainless Steel (SS)
- Coordinates with all finishes
- Front only
- Conceals range legs
- Completely assembled
- Easily clips onto range legs after range is installed

### Custom Curb Base Front

- Remove stainless steel front and recycle
- Conceals range legs
- Attach locally supplied trim
- Completely assembled
- Easily clips onto range legs after range is installed
- Provides drop-in range look

Model	Description	Approx. ship wt. lbs. (kg)
P60CBF4	60"W. curb base front	11 (5.0)

### LP/Propane Conversion Kit

- Allows for field conversion of range from natural gas to LP

Model	Description	Approx. ship wt. lbs. (kg)
LPKPDR	Natural to LP/propane conversion kit	2 (0.9)



### Compliance Information



### WARRANTY INFORMATION\*

- Three-year full warranty—complete product
- Ten-year limited warranty—porcelain oven and porcelain inner door panel
- Five-year limited warranty—surface burners, griddle burners, grill burners, and oven burner
- Ninety-day limited warranty—cosmetic parts such as glass, painted, and decorative items

\* For complete warranty see *Use & Care Guide*. Warranty valid on Viking products shipped within the United States and Canada.

