



Professional Custom Series Built-In Gas 60"W. Sealed Burner Rangetop

Standard Features & Accessories

All models include

- **Exclusive** VSH™ Pro Sealed Burner System (VariSimmer™ to High)—combination of patented burner and top design provide ease of cleaning plus superior performance at simmer and high
- **Exclusive** VariSimmer setting for all burners
- **Exclusive** SureSpark™ ignition system for all burners
- **Exclusive** tooled and porcelainized cooking surface contains spills for easy cleaning

- Brass sealed burners with porcelain/cast iron caps and automatic ignition/re-ignition
- Shipped standard with heavy-duty metal knobs with stainless steel finish
- Shipped standard with stainless steel island trim

6GQ model includes

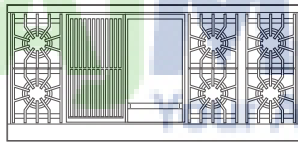
- One TruPower Plus™ 18,500 BTU burner
- Five 15,000 BTU burners
- 12"W. thermostatically controlled steel griddle/simmer plate

- 12"W. grill with flavor generator plates and automatic ignition/re-ignition

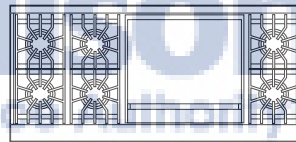
6G models include

- One TruPower Plus™ 18,500 BTU burner
- Five 15,000 BTU burners
- 24"W. thermostatically controlled steel griddle/simmer plate

Model Options



VGRT560-6GQ*
Six-Burner/Griddle/
Grill Rangetop



VGRT560-6G*
Six-Burner/
24"W. Griddle Rangetop

FINISH DETAILS FOR ALL MODELS

- Stainless Steel (SS)
 - o Stainless units have black porcelain grates, black porcelain burner caps, black porcelain grate support and stainless knobs.
- Brass Accent Option (BR)—nameplate and knob bezels. Brass components have a durable protective coating for maintenance-free normal use

*Shown throughout with accessory 8" high backguard. See **Installation Notes & Accessories** for details.

ORDERING INSTRUCTIONS

First specify model number, and then color code (VGRT560-6GQSS). If ordering brass accent option, specify code at end (VGRT560-6GQSSBR). If ordering optional LP conversion, specify code at end (VGRT560-6GQSSBRLP).





COOKING



Professional Custom Series Built-In Gas 60"W. Sealed Burner Rangetop

Dimensions & Specifications

PRODUCT DIMENSIONS



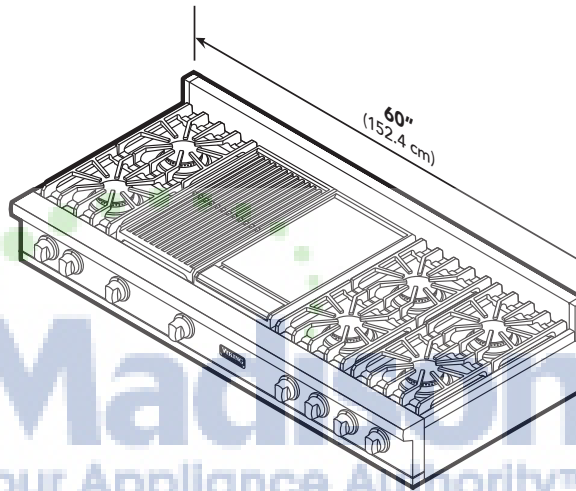
VGRT560-6GQ
Six-Burner/Griddle/
Grill Rangetop

VGRT560-6G
Six-Burner/
24"W. Griddle Rangetop

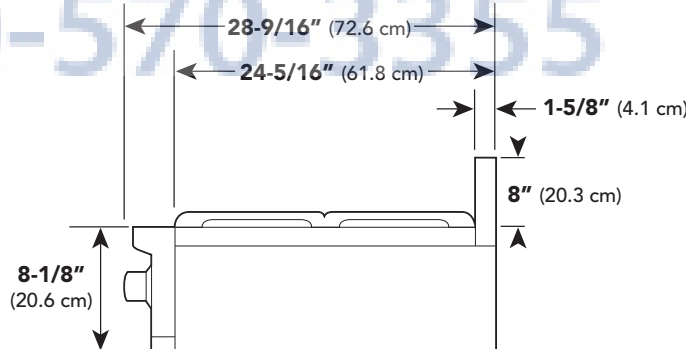
★ Please see Installation Notes & Accessories for important installation information, including island trim, backguard, and high-shelf.



Star-K Kosher Certification for use on the Jewish Sabbath or Jewish holidays



AjMa
Your Appliance Authority™
800-570-3355



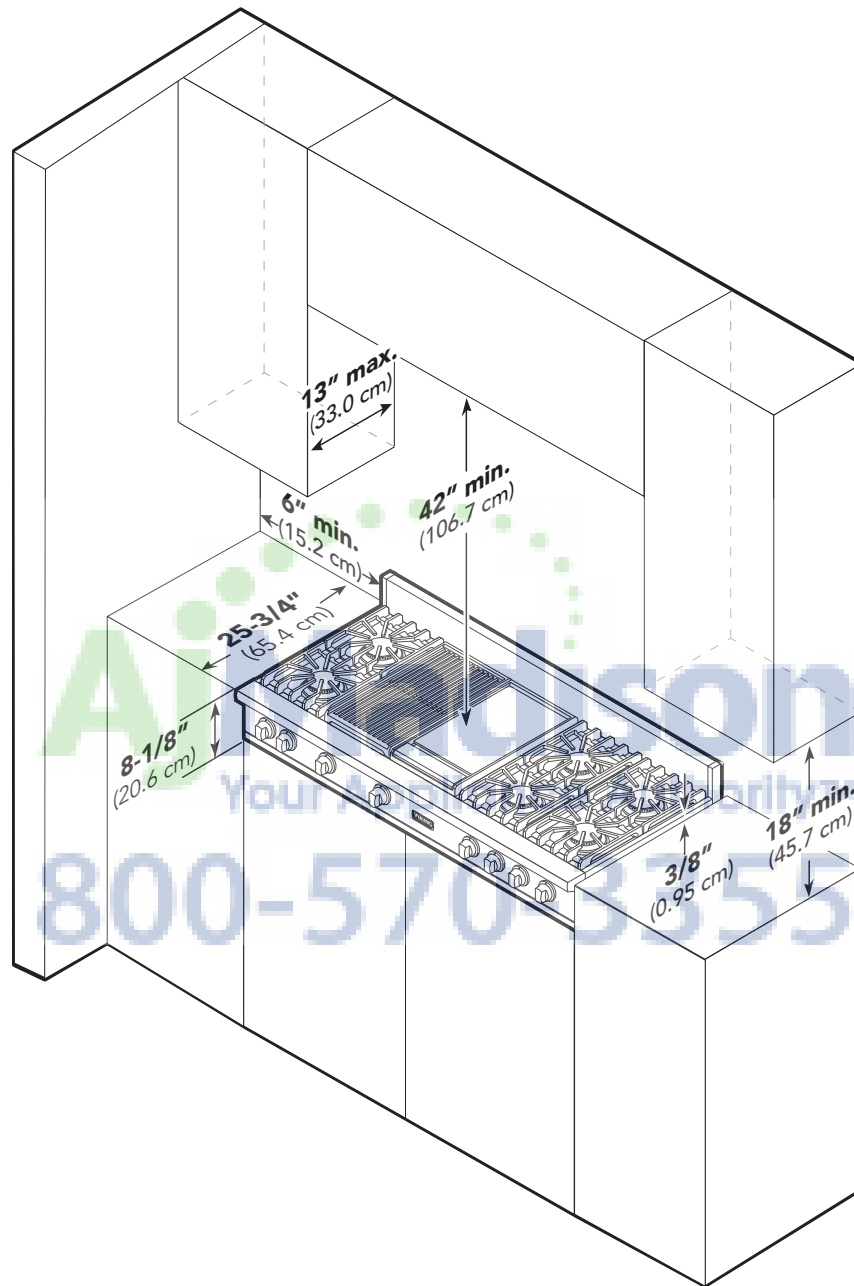
All models	
Overall width	60" (152.4 cm)
Overall height (from bottom)	
To top of grate	9-1/4" (23.5 cm)
To top of island trim	9-1/8" (23.2 cm)
Additions to base height	
To top of backguard	Add 8" (20.3 cm)
To top of high shelf	Add 23-1/2" (72.9 cm)
Overall depth (from rear)	
To end of side panel	24-5/16" (61.8 cm)
To end of landing ledge	28-1/16" (71.3 cm)
To end of knobs	28-9/16" (72.6 cm)





Dimensions & Specifications

CLEARANCE DIMENSIONS



Minimum clearances from adjacent combustible construction

- Cooking surface and below, i.e., 36" (91.4 cm) and below
 - o Sides—0"
 - o Rear—0" with backguard or highshelf; 0" with island trim and non-combustible rear wall; 6" (15.2 cm) with island trim and combustible rear wall.
- Above cooking surface, i.e. above 36" (91.4 cm)
 - o Sides—6" (15.2 cm)
 - o Within 6" (15.2 cm) side clearance, wall cabinets no deeper than 13" (33.0 cm) must be minimum 18" (45.7 cm) above cooking surface.
 - o Wall cabinets directly above product must be minimum 42" (106.7 cm) above cooking surface.



Professional Custom Series Built-In Gas 60"W. Sealed Burner Rangetop

UTILITY REQUIREMENTS



GAS

- o Shipped natural or propane gas; field convertible with conversion kit.
- o Accepts standard residential 1/2" (1.3 cm) ID gas service line
- o Gas manifold pressure
- o Natural gas 5.0" W.C.P.
- o LP/Propane 10.0" W.C.P.



ELECTRICAL

- Four-foot (121.9 cm) cord included with rangetop
- Three-wire with ground/three-prong plug
- 120 V/60 Hz
- Max. amp usage—
 - o 6GQ—0.5
 - o 6G—0.5



PLUMBING

Not applicable

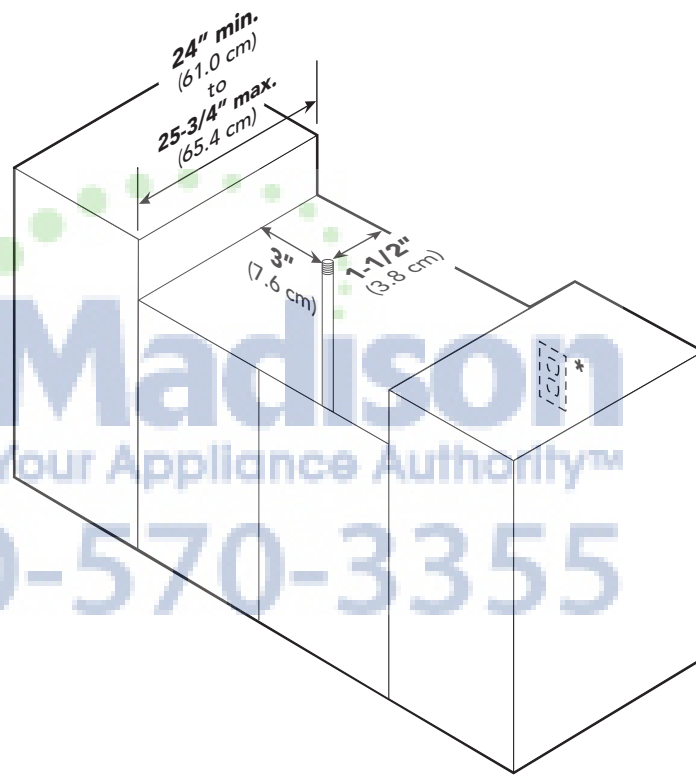
Installation Requirements

ACCESS REQUIREMENTS



VGRT560-6GQ
Six-Burner/Griddle/
Grill Rangetop

VGRT560-6G
Six-Burner/
24"W. Griddle Rangetop



**Note: 120 VAC/50Hz within 48" (121.9 cm) of right rear of rangetop*

	VGRT560-6GQ	VGRT560-6G
Cutout width	60-1/4" (153.0 cm)	
Cutout height	7-5/8" (19.4 cm)	
Cutout depth	24" (61.0 cm) min. to 25-3/4" (65.4 cm) max.	
Surface burner rating	15,000 BTU Nat. (4.4 kW)/13,500 BTU LP (4.0 kW)	
Grated burners (each)	18,500 BTU Nat. (5.4 kW)/	
TruPower Plus™ burner (front right)	16,600 BTU LP (4.9 kW)	
Griddle	15,000 BTU Nat. (4.4 kW)/ 12,500 BTU LP (3.7 kW)	Two at 15,000 BTU Nat. (4.4 kW)/ 12,500 BTU LP (3.7 kW)
Grill	18,000 BTU Nat. (5.3 kW)/ 16,000 BTU LP (4.7 kW)	





COOKING Professional Custom Series Built-In Gas 60"W. Sealed Burner Rangetop



✪ Installation Notes & Accessories

A backguard, high-shelf, or island trim must be used for all installations.

Island Trim

- Stainless Steel (SS)
- Coordinates with all finishes
- For island/peninsula installation
- Included and shipped standard

Model	Description	Approx. ship wt. lbs. (kg)
P60TII	60"W. island trim	15 (6.8)

8"H. Backguard

- Stainless Steel (SS)
- Coordinates with all finishes

Model	Description	Approx. ship wt. lbs. (kg)
P601BG8	60"W. backguard	24 (10.8)

High-shelf

- Stainless Steel (SS)
- Coordinates with all finishes
- Shelf comes attached to a 24"H. backguard

Model	Description	Approx. ship wt. lbs. (kg)
B60HS24	60"W. high-shelf	60 (27.0)

Countertop Side Trim

- Stainless Steel (SS)
- Coordinates with all finishes
- Installs on side of unit; overlaps countertop
- One pair of trim

Model	Description	Approx. ship wt. lbs. (kg)
P24CST	24"D. side trim	2 (0.9)

Countertop Rear Trim

- Stainless Steel (SS)

Model	Description	Approx. ship wt. lbs. (kg)
P60CRT	60"W. countertop rear trim	2 (0.9)

LP/Propane Conversion Kit

- Allows for field conversion of range from natural gas to LP

Model	Description	Approx. ship wt. lbs. (kg)
LPKPDR	Natural to LP/propane conversion kit	2 (0.9)

Compliance Information



WARRANTY INFORMATION*

- Three-year full warranty—complete product
- Lifetime limited—stainless steel exterior
- Five-year limited warranty—surface burners, griddle burners and grill burners
- Ninety-day limited warranty—cosmetic parts such as glass, painted, and decorative items

* For complete warranty see *Use & Care Guide*. Warranty valid on Viking products shipped within the United States and Canada.



