



KITCHEN CLEANUP Built-In 24"W. Dishwasher 325E



Standard Features & Accessories

All models include:

- **Exclusive** Vari-Pressure Intelli-Wash™ System
 - **Exclusive** variable speed 1/2 horsepower commercial-type motor
 - **Exclusive** multi-level washing with two stainless steel wash arms
 - **Exclusive** Block-proof Flexible-Fluid™ coupling direct water feed
- **Exclusive** Central Intelligence™ System
 - Constant communication
 - Measures water temperature and water volume
- **Exclusive** Four-Stage Filtration and Waste Removal System
 - Removable coarse strainer
 - **Exclusive** Triple-Clean™ filtration with self-cleaning jets
- **Exclusive** Sure-Temp™ Water Heating
 - 1400 watt HydroFlo™ water heater
 - Operable with “cold” ground water
- Condensate Quick Dry
- Quiet Clean™ Performance Package
 - Separate motor/pump assemblies for washing and draining
 - Multi-stage sound absorbing/heat retaining insulation
 - Blue LED power-on light in kickplate indicates cycle is operating
- “Load-As-You-Like” Sturdi-Bilt™ Racks
 - Accommodates 15 international place settings
 - Fully extendable nylon coated racks
 - One-Piece silverware/cutlery basket
 - Lower rack has 4 rows of 3 position one-piece fold-down tines
- Roller Bearing™ upper rack has 3 rows of multi-position Hold Tight™ dividers and 1 one-piece cup shelf
- **Exclusive** Diamond-Brite™ stainless steel tank and inner door
- Cycles – Pots/Pans, Normal Wash, Econo Wash, Light/China, Rinse/Hold
- Options – Hi Temp Wash, Delay Start (up to 6 hours)
- Energy Star Qualified
- CEE Tier I Super Efficient

Model Options



VDB325E
Professional
Built-In Dishwasher

- Finish details for VDB model
- Stainless Steel (SS), Black (BK), White (WH)

DDB325E
Designer
Built-In Dishwasher

- Finish details for DDB model
- Stainless Steel (SS), Black (BK), White (WH)





Dimensions & Specifications

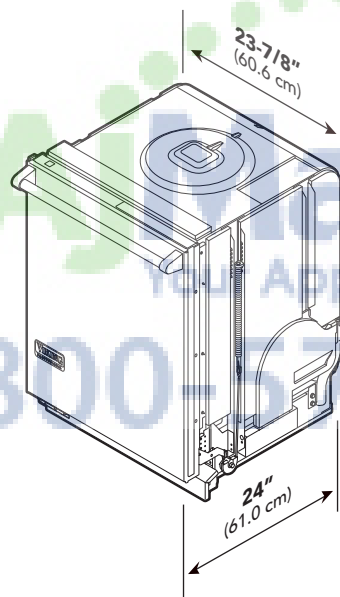
PRODUCT DIMENSIONS



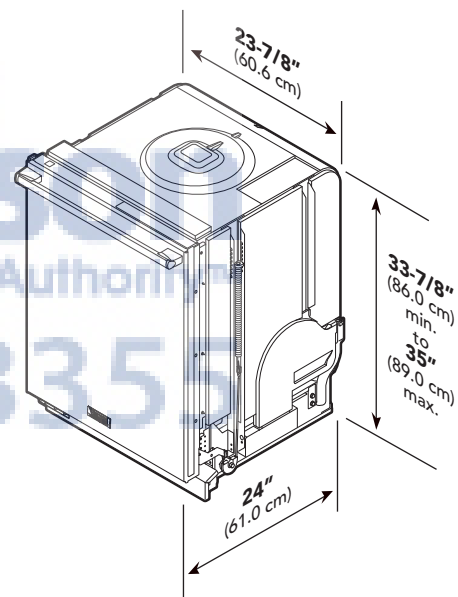
VDB325E
Professional
Built-In Dishwasher



DDB325E
Designer
Built-In Dishwasher



PROFESSIONAL



DESIGNER

All models

Overall width	23-7/8" (60.6 cm)
Overall height (from floor)	33-7/8" (86.0 cm) min. to 35" (89.0 cm) max.
Overall depth (from rear)	
To edge of side (includes door panel)	24" (61.0 cm)—includes door panel
With door open	49" (124.5 cm)



KITCHEN CLEANUP Built-In 24"W. Dishwasher 325E



Dimensions & Specifications

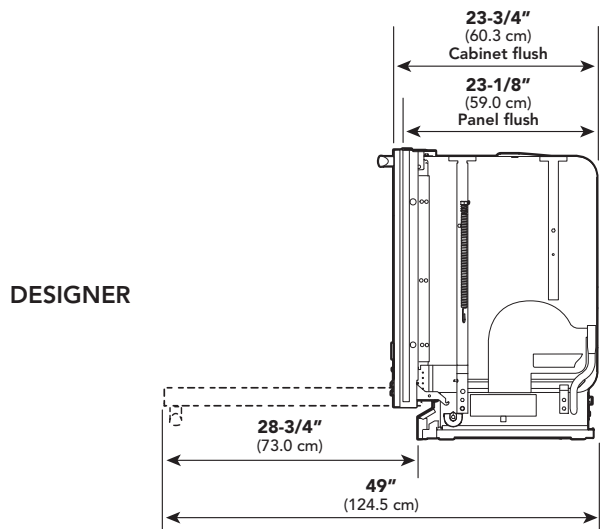
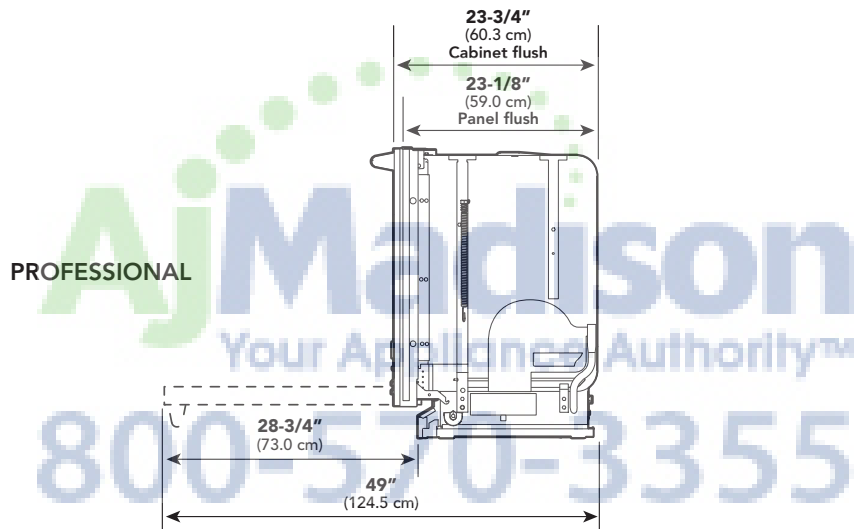
DOOR SWING



VDB325E
Professional
Built-In Dishwasher



DDB325E
Designer
Built-In Dishwasher



Note: If the dishwasher is installed in a corner, there must be a minimum clearance of 2" (5.1 cm) from the side wall so the door can open.





UTILITY REQUIREMENTS



GAS
Not applicable



- ELECTRICAL**
- 3'9" (1.1 m), electrical cord with 90 degree 3-prong plug
 - 120V/60 Hz
 - Maximum amp usage—15.0 amps
 - Water-heating element rating—1,200 watts



- PLUMBING**
- 120°F (49°C) hot water recommended; dishwasher will, however, perform properly with cold water*
 - Inlet water pressure operating range—10 – 125 psi (0.69 – 8.62 bar)
 - Five foot (1.5 m) braided stainless steel water line with 3/8" (0.95 cm) compression fitting supplied with dishwasher
 - Seven-foot (2.13 m) 1/2" (1.3 cm) ID "crimp-proof" flexible drain hose with clamp attached to dishwasher; connections provided for 5/8" (1.5 cm), 3/4" (1.9 cm), or 1" (2.5 cm) cut as required
 - High loop of drain hose required; min. height from floor—20" (50.8 cm)
 - Check local codes for drain air gap requirement

*Cycle times will be extended

Installation Requirements

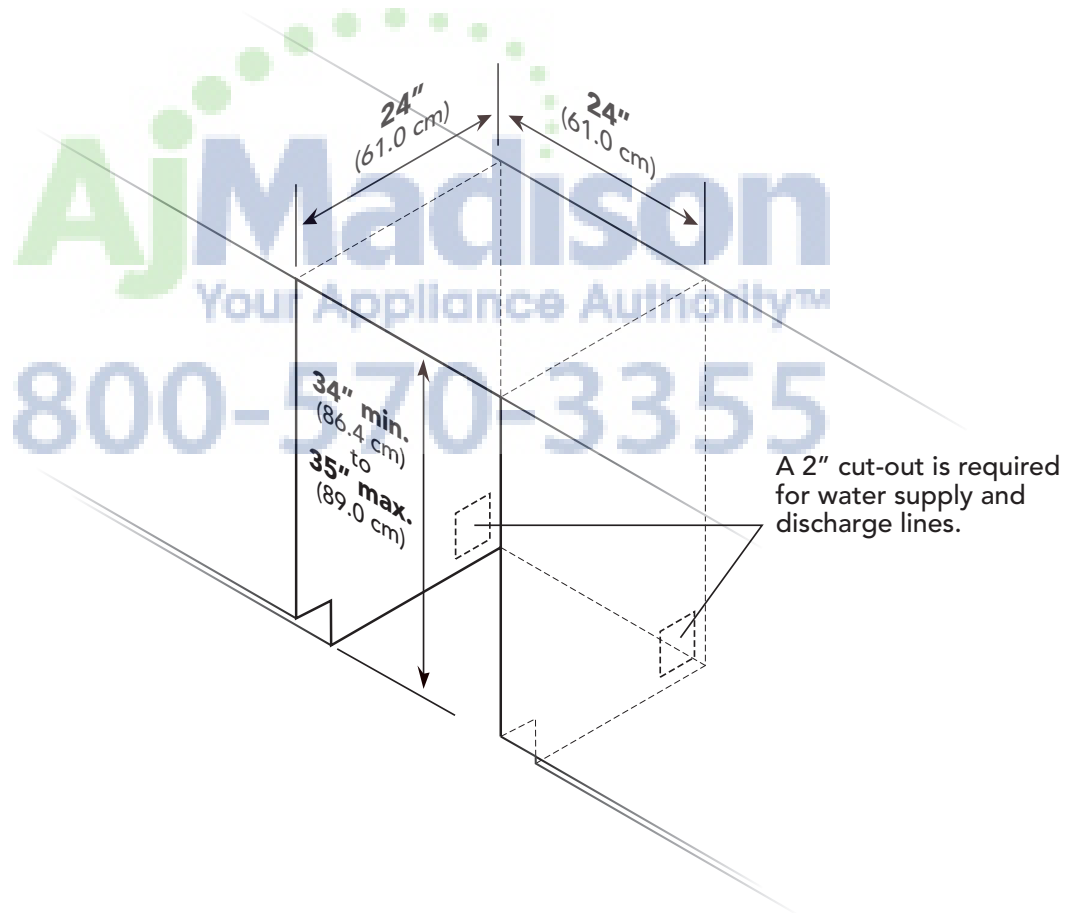
ACCESS REQUIREMENTS



VDB325E
Professional
Built-In Dishwasher



DDB325E
Designer
Built-In Dishwasher



All models	
Cutout width	24" (61.0 cm)
Cutout height	34" (86.4 cm) min. to 35" (89.0 cm) max.
Cutout depth	24" (61.0 cm)



VIKING
designer

KITCHEN CLEANUP Built-In 24"W. Dishwasher 325E



Compliance Information



WARRANTY INFORMATION*

- One-year full warranty—all components
- Lifetime limited warranty—stainless steel tanks, inner door liner
- Five-year limited warranty—electronic control, racks, motor/pump assemblies, and water distribution system
- Ninety-day limited warranty—cosmetic parts (painted and decorative items)

*For complete warranty information info see *Use & Care Guide*. Warranty valid on Viking products shipped within the United States and Canada.



PLANNING AND DESIGN GUIDE
VIKINGRANGE.COM • 1-888-VIKING1

REVISED 11/3/10
©2010 VRC—INFORMATION SUBJECT TO CHANGE