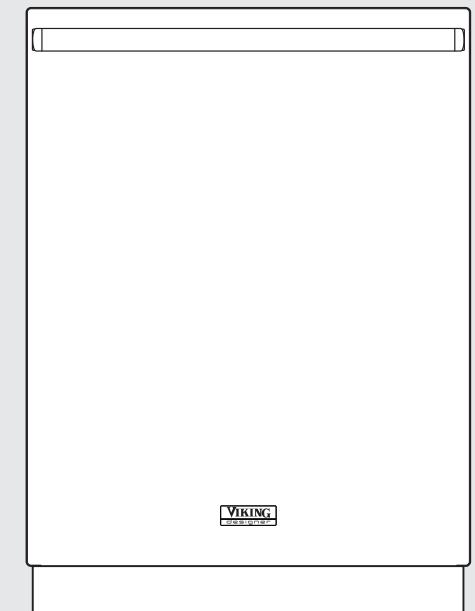
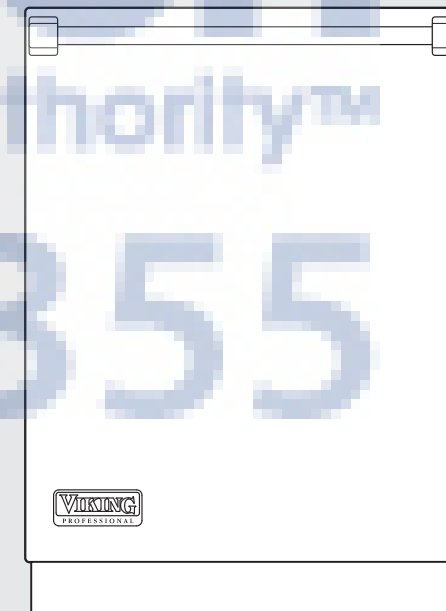


Viking Installation Guide



Viking Range Corporation
111 Front Street
Greenwood, Mississippi 38930 USA
(662) 455-1200

For product information,
call 1-888-VIKING1 (845-4641)
or visit the Viking Web site at
vikingrange.com



Professional & Designer 200/325E/450E Series
Built-In Dishwashers



(091510)

Table of Contents

Warnings & Important Information _____	3
Dimensions & Cutout Dimensions _____	6
Specifications _____	7
Custom Door Panel Specifications _____	8
Custom Door Panel Installation Option _____	9
General Information _____	10
Site Preparation _____	10
Water Supply _____	10
Drain _____	10
Electrical Connections _____	11
Hardwire Conduit Option _____	12
Trim Installation Options _____	13
Counter Balance Spring Adjustment _____	16
Installation Procedure _____	17
Performance Checklist _____	21
Testing for Leaks _____	21
Final Preparation _____	21
Service & Registration _____	22

IMPORTANT—Please Read and Follow!

- Before beginning—please read these instructions completely and carefully.
- Do not remove permanently affixed labels, warnings, or rating plates from the dishwasher. This may void warranty or create an unsafe product.
- Please observe all national and local codes.

- Please ensure that this product is properly grounded.
- The installer should leave these instructions with the consumer who should retain for local inspector's use and for future reference.
- The dishwasher has a factory installed backflow preventer. Do not add an additional check valve.
- Failure to provide a 20" above floor level (50.8 cm) high loop may result in improper operation of the dishwasher.
- Remove pallet screws from base. Damage could occur to dishwasher if screws are not removed.

⚠ WARNING

Make sure that incoming voltage is the same as unit rating. An electric rating plate specifying voltage, hertz, and amps is attached to the product. Wiring the dishwasher with more voltage than it is rated for may cause severe damage. To reduce the risk of fire, electric shock, or injury to persons, installation work and electrical wiring must be done by qualified technician in accordance with all applicable codes and standards, including fire-rated conditions.

⚠ WARNING

Plumbing connections must comply with applicable sanitary, safety and plumbing codes.

⚠ WARNING


Electrical power must be turned off at circuit breaker or fuse box before making electrical connections. Disconnect the electrical power supply and place a tag at the disconnect switch indicating that you are working on the circuit.


⚠ WARNING

The dishwasher door may not stay open by itself until the door panel is installed. Be aware of this when fastening the dishwasher to the cabinet.

Site Preparation It is recommended that a thorough site inspection be conducted PRIOR to unpacking and moving this appliance.

IMPORTANT—Please Read and Follow!

⚠ WARNING

Electrical Shock Hazard
Electrically ground dishwasher.
Connect ground wire to green ground connector in terminal box.
Do not use an extension cord.
Failure to follow these instructions, can result in death, fire or electrical shock.

⚠ WARNING

Tip Over Hazard
Do not use dishwasher until completely installed.
Do not push down on open door.
Doing so can result in serious injury or cuts.

⚠ WARNING
Excessive Weight Hazard
Use two or more people to move and install dishwasher.
Failure to do so can result in back or other injury.

IMPORTANT—Please Read and Follow!

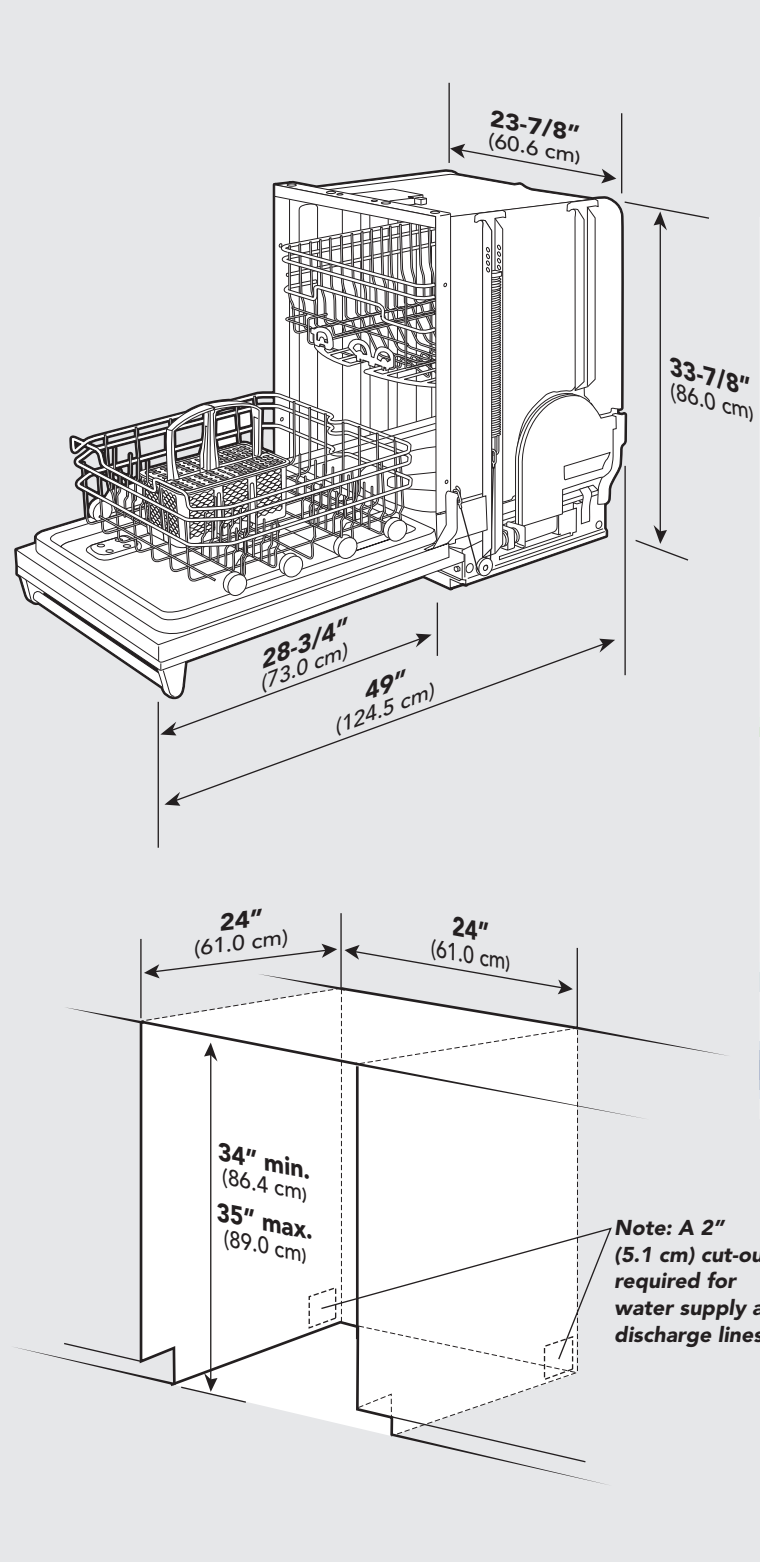
A GFI shall be used if required by NFPA-70 (National Electric Code), federal/state/local laws, or local ordinances.

- The required use of a GFI is normally related to the location of a receptacle with respect to any significant sources of water or moisture.
- Viking Range Corporation will NOT warranty any problems resulting from GFI outlets which are not installed properly or do not meet the requirements below.

If the use of a GFI is required, it should be:

- Of the receptacle type (breaker type or portable type NOT recommended)
- Used with permanent wiring only (temporary or portable wiring NOT recommended)
- On a dedicated circuit (no other receptacles, switches or loads in the circuit)
- Connected to a standard breaker of appropriate size (GFI breaker of the same size NOT recommended)
- Rated for Class A (5 mA +/- 1 mA trip current) as per UL 943 standard
- In good condition and free from any loose-fitting gaskets (if applicable in outdoor situations)
- Protected from moisture (water, steam, high humidity) as much as reasonably possible

Dimensions & Cutout Dimensions

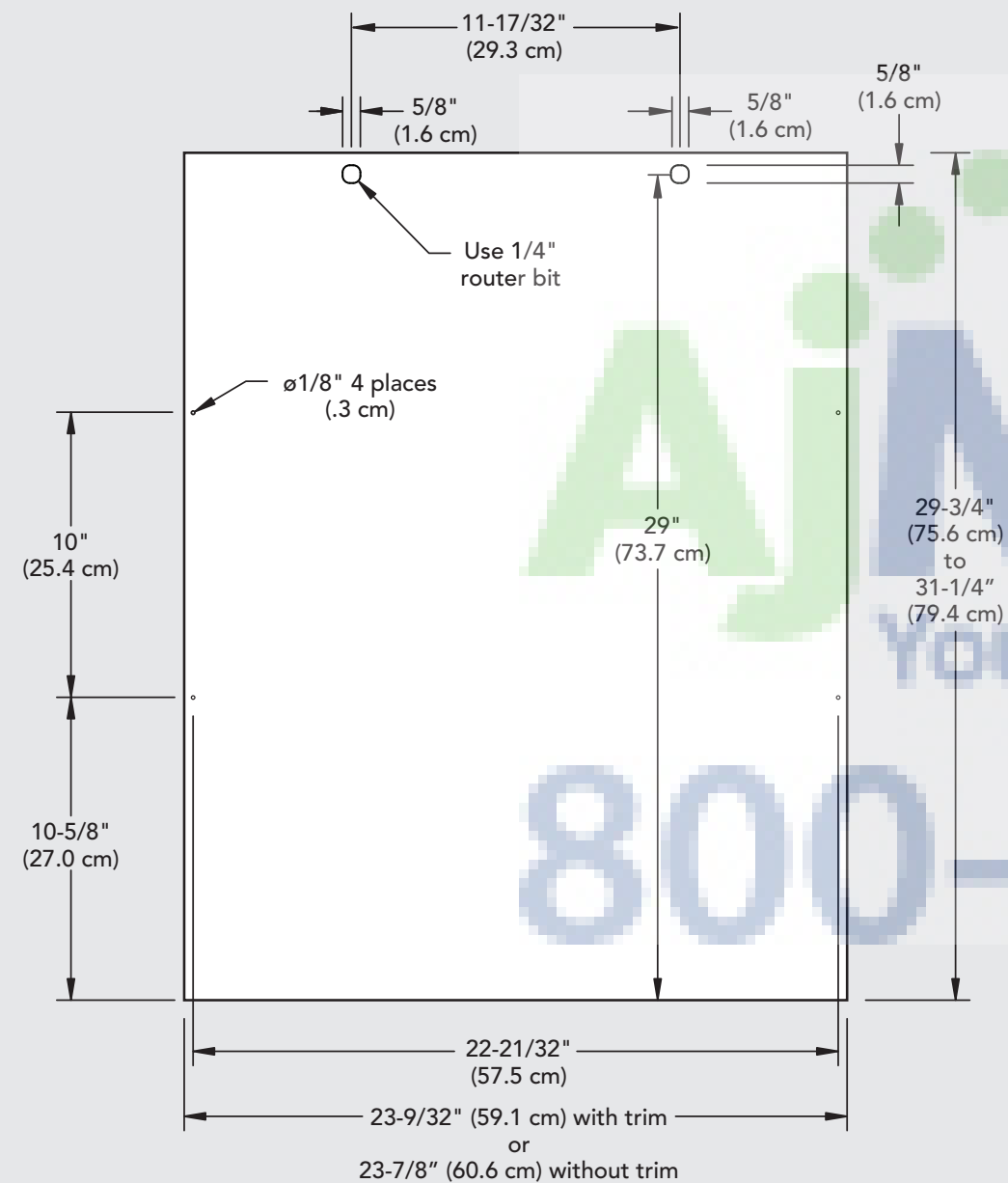


Specifications

Built-In Dishwasher			
Description	200/325E/450E Models		
Overall width	23-7/8" (60.6 cm)		
Overall height from floor	33-7/8" (86.0 cm) min. to 35" (89.0 cm) max.		
Overall depth from rear-Professional	To edge of side - 24" (61.0 cm) - includes door panel With door open - 49" (124.5 cm)		
Overall depth from rear-Designer	To edge of side - 24" (61.0 cm) - includes door panel With door open - 49" (124.5 cm)		
Cutout width	24" (61.0 cm)		
Cutout height	34" (86.4 cm) min. to 35" (89.0 cm) max.		
Cutout depth	24" (61.0 cm)		
Electrical requirements	15.0 amps, 120VAC/60 Hz; Power cord must be purchased separately.	15.0 amps, 120VAC/60 Hz; 3'9" (1.1 m) electrical cord 3 prong plug supplied with unit.	
Water-heating element rating	200/325E/450E models - 1200 watts		
Inlet water temperature	120°F (49°C) recommended; Dishwasher will perform properly with cold water <i>Note: Cycle times will vary</i>		
Inlet water pressure operating range	10 to 125 psi (.69 to 8.62 bar)		
Inlet water hose	5' (1.5 m) braided stainless steel water line with 3/8" (0.95 cm) compression fitting connected to dishwasher		
Drain hose	7' (2.13 m) 1/2" (1.3 cm) ID "crimp-proof" flexible drain hose attached to dishwasher, connections provided for 5/8" (1.6 cm), 3/4" (1.9 cm) or 1" (2.5 cm), cut as required		
Drain hose high loop required	Height from floor - 20" (51.0 cm) min.		
Approximate shipping weight	200 model - 147 lbs. (66.7 kg)	325E model - 152 lbs. (68.9 kg)	450E model - 157 lbs. (71.2 kg)

Custom Door Panel

(Specifications for FDB200/DFB450E Models)



NOTE: Back side of panel shown. Use caution not to drill through front of panel.

(Installation Option)

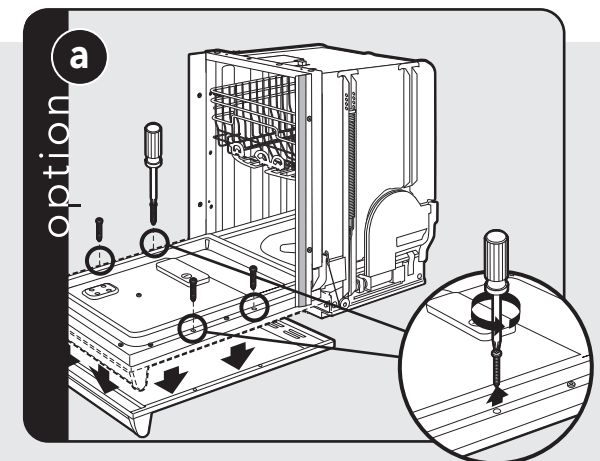
Have the overlay panel constructed per dimensions. The panel thickness MAY NOT exceed 5/8" (1.6 cm) for flush installation in most cabinets. Ensure that the design, construction, and installation of the panel overlay and its handle mounting is sufficient to reliably operate in this application with a maximum panel weight of 18 lbs. (8.2 kg.) Custom panels should not exceed 18 lbs. (8.2 kg.)

Obtain four screws with the proper thread type for the overlay material chosen. The screws MUST BE #8 flat head, 1-3/4" long and MUST BE stainless steel to avoid corrosion.

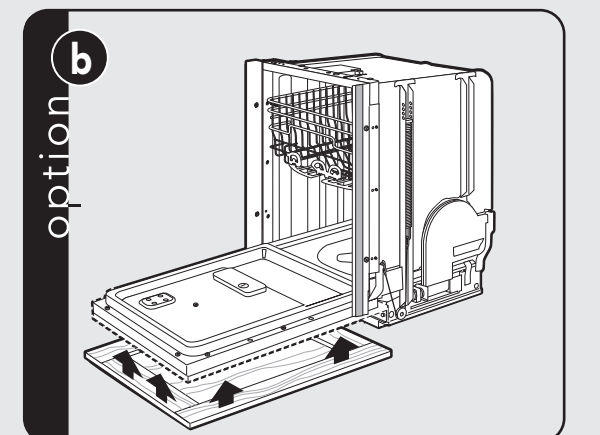
If dishwasher has a metal door skin installed, remove the four screws. DO NOT remove any other fasteners and ensure that only the proper screws are removed.

Carefully tighten each screw to secure the overlay and check to ensure that the overlay is square with the dishwasher door and cabinet opening and that the panel doesn't interfere with the operation of the dishwasher.

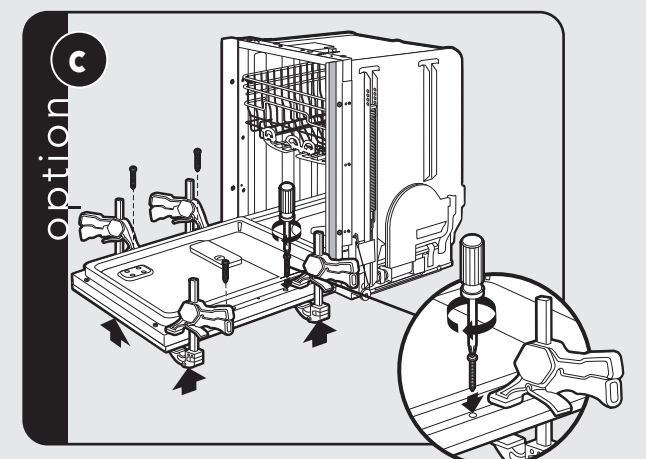
Verify operation of the door counter balance springs after installation of the overlay panel. The additional weight of the overlay panel might require an adjustment to the preload of the counterbalance springs. If adjustment of the springs is required, please refer to the "Counter Balance Spring" section.



To remove face panel of dishwasher remove only the 4 Phillips screws - do not remove any other fasteners.



Position custom face panel on front of dishwasher.



Use non-marring clamps to hold custom panel in place. Secure with #8 1-3/4" (4.5 cm) long, stainless steel flat head screws.

General Information

- Read these instructions carefully and completely before installing the dishwasher. The installation should be carried out by a qualified installer, who is familiar with all local codes and ordinances for electrical and plumbing connections. If the dishwasher is being installed for the first time, most of the work has to be done before you move it into place. If you are replacing an old dishwasher, you must check the old connections.
- Electrical requirements are listed in the "Specifications" section.

Site Preparation

NOTE: It is recommended that a thorough site inspection be conducted PRIOR to unpacking and moving this appliance.

- After determining where the water supply line will connect to the dishwasher, provide a 2" (5.1 cm) access hole and run the line to the approximate fill valve location. Sealing access area once lines are in place is recommended.
- Confirm available access to adequate power.

Water Supply

⚠ WARNING

Plumbing connections must comply with applicable sanitary, safety, and plumbing codes.

- Water pressure for the water supply should be a minimum of 10 to 125 psi. The dishwasher is supplied with a 5' (1.5 m) braided stainless steel water line with 3/8" (0.95 cm) compression fitting connected to dishwasher.
- After determining where the water supply line will connect to the dishwasher, provide a 2" (5.1 cm) access hole and run the water supply line to the approximate fill valve location.

- For service convenience, a shut-off valve (not supplied) should be installed in the supply line in a readily accessible location (such as beneath the sink).
- It is recommended that the dishwasher be connected to a hot water supply. If a cold water supply is used, cycle times will vary.
- It is important that the water supply line and the shut-off valve have a sufficient flow volume. Flush the supply line prior to connecting it to the intake line of the dishwasher.
- Make sure the connection is sealed and not leaking before completing the installation.

Drain

- The access hole for the drain line should be 2" square (5.1 cm). Locate as low and as near to the back wall as possible.
- Do not use any fittings anywhere in the drain line that are less than 1/2" (1.3 cm) ID.
- If the drain line is going to be connected to a food waste disposer, be sure to remove the knockout or plug from the fitting before connecting drain line.
- Drain connection should be a minimum of 9" (22.9cm) from the floor. If connection is lower, siphoning during cycle can occur.

⚠ CAUTION

The dishwasher has a factory installed backflow preventer. Do Not add an additional check valve.

NOTE: The end of the drain hose is 1" (2.5 cm), but is adjustable to 3/4" (1.9 cm) or 5/8" (1.6 cm). If the drain connection is smaller than 1" (2.5 cm), the hose can be cut to fit the connection.

NOTE: Be sure to run the drain line through the hole to the sink compartment before moving the dishwasher into place.

General Information

Electrical Connections

Grounding Instructions

This appliance must be grounded. In the event of a malfunction or breakdown, grounding will reduce the risk of electric shock by providing a path of least resistance for electric current. This appliance is equipped with a cord having an equipment-grounding conductor and a grounding plug. **NOTE:** For certain models, a power cord will have to be purchased separately. The plug must be plugged into an appropriate outlet that is installed and grounded in accordance with all local codes and ordinances.

⚠ WARNING

Disconnect the electrical power supply and place a tag at the disconnect switch indicating that you are working on the circuit.

Grounding Instructions if Hardwired:

This appliance must be connected to a grounded metal, permanent wiring system; or an equipment grounding conductor must be run with the circuit conductors and connected to the equipment – grounding terminal or lead on the appliance.

- For a cord connected undercounter dishwasher:
 1. The power supply receptacle for the appliance should be installed in a cabinet or on a wall adjacent to the under counter space in which the appliance is to be installed;
 2. There should be an opening through the partition between the compartments mentioned in Item (1), that is large enough for the attachment plug to pass through. The longest dimension of the opening shall not be more than 1-1/2" (38 mm).
 3. The edges of the opening mentioned

in Item (2) should, if the partition is wood, be smooth and rounded or, if the partition is metal, be covered with the grommet provided for this purpose by the manufacturer; and

4. Care should be exercised, when the appliance is installed or removed to reduce the likelihood of damage to the power supply cord.

- The dishwasher comes with a 3'9" (1.1 m) electrical cord for 110-120 volts, 15/20 amp supply. This cord should be plugged into the 110-120 volt outlet located under the sink. **NOTE:** For certain models, a power cord will have to be purchased separately.
 - If the cord is not long enough or if a hard wire installation is needed, follow the instructions in the "Hardwire" section.
- NOTE:** Access holes should be 2" square (5.1 cm) with no sharp edges.
- In a hardwire installation, use only copper supply conductors. The conductors should have a minimum temperature rating of 194° F (90° C).

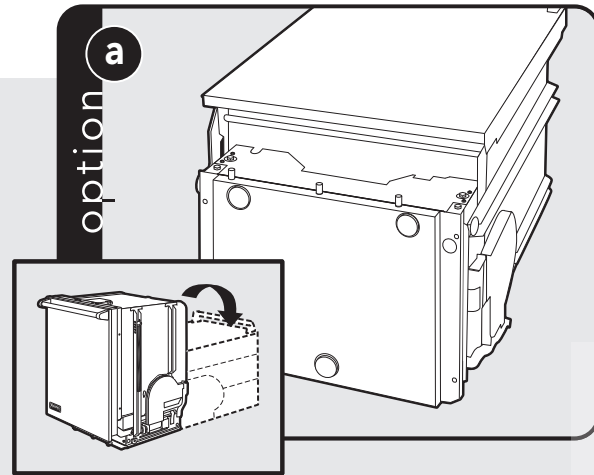
⚠ WARNING

Be sure electrical power is turned off at circuit breaker or fuse box before servicing or installing unit. Do not use an extension cord for this appliance.

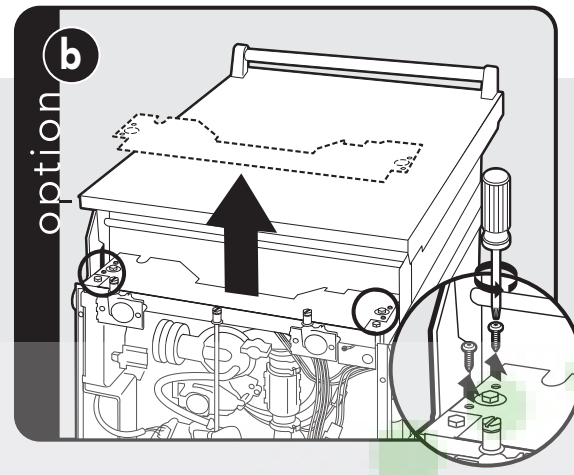
⚠ WARNING

Improper connection of the equipment – grounding conductor can result in a risk of electric shock. Check with a qualified electrician or serviceman if you are in doubt as to whether the appliance is properly grounded. Do not modify the plug provided with the appliance; if it will not fit the outlet, have a proper outlet installed by a qualified electrician.

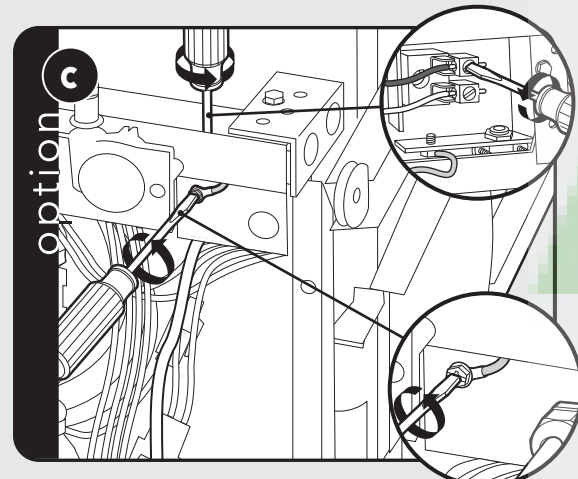
Hardwire Conduit Option



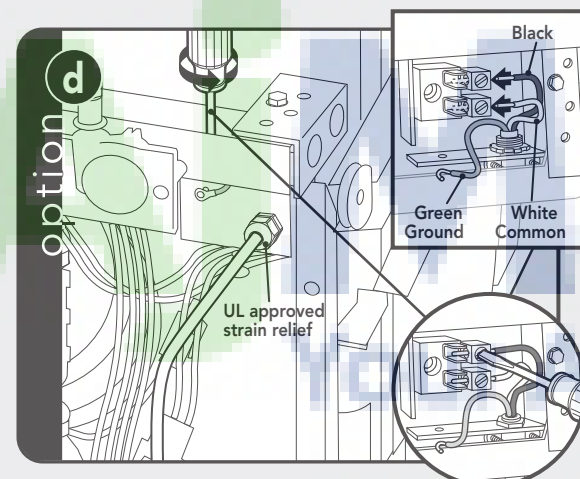
Remove any loose items in the dishwasher and carefully lay the dishwasher on its back. **NOTE:** Be careful not to pinch hoses or power cord beneath dishwasher.



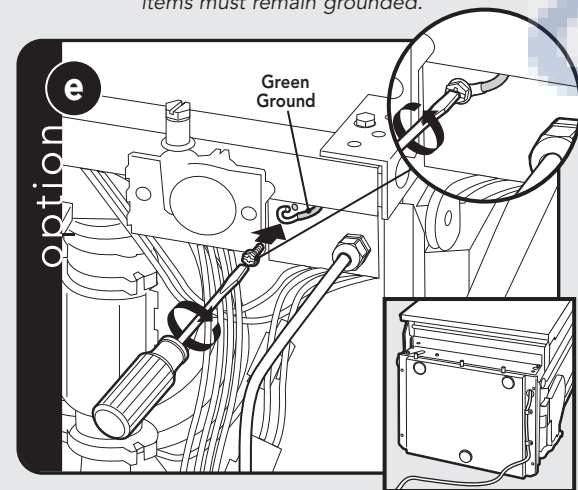
Remove bottom pan and front plate.



Loosen ground wire and wires on terminal block.
Loosen strain relief and remove cord.
NOTE: Other items are grounded in this location—these items must remain grounded.



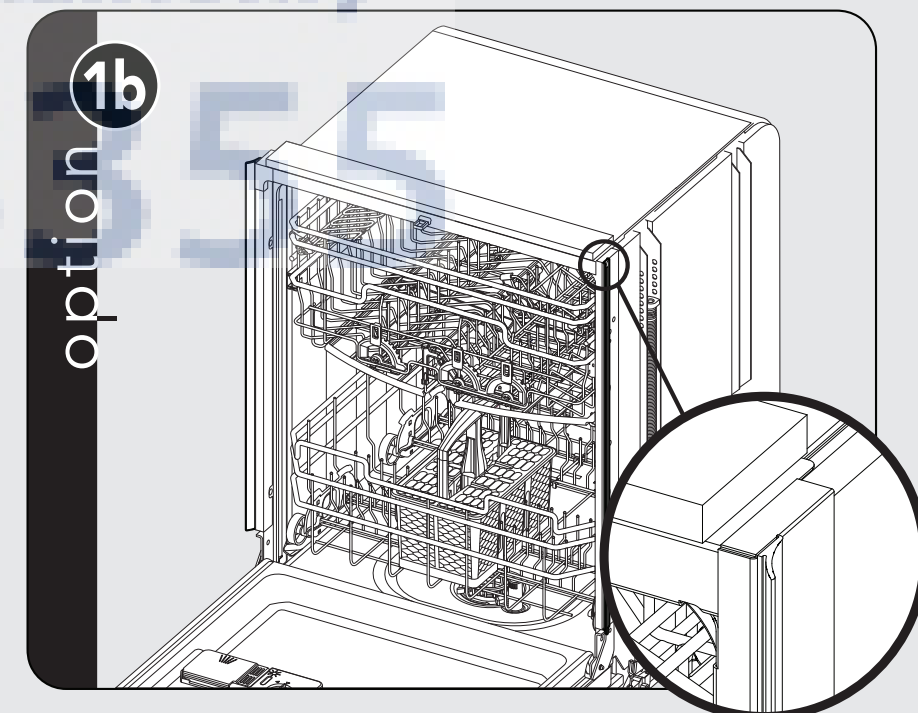
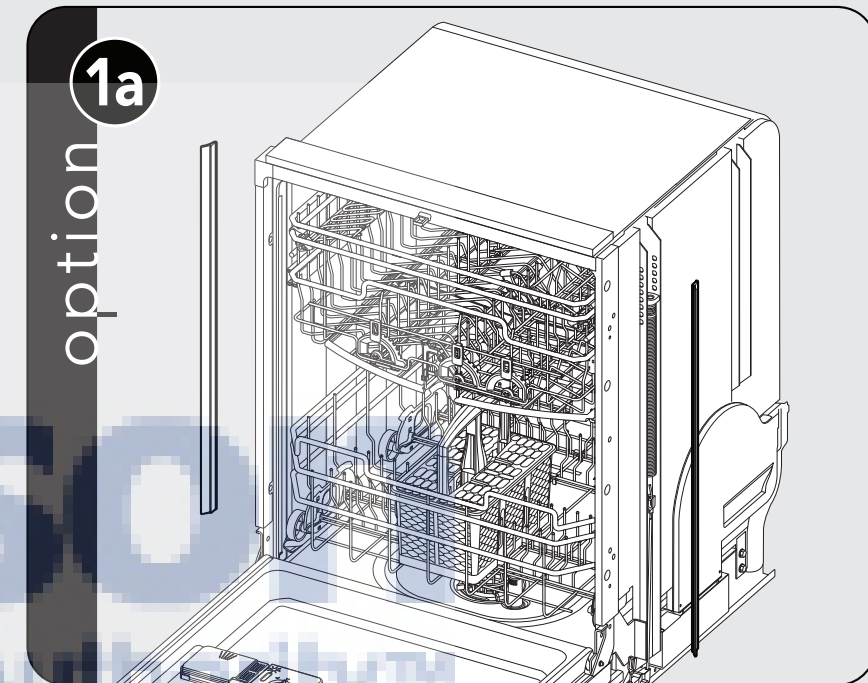
Run wires through bottom pan. Using a UL approved strain relief, connect wires to terminal block.



Connect ground wire.
NOTE: Reinstall front plate and bottom pan.

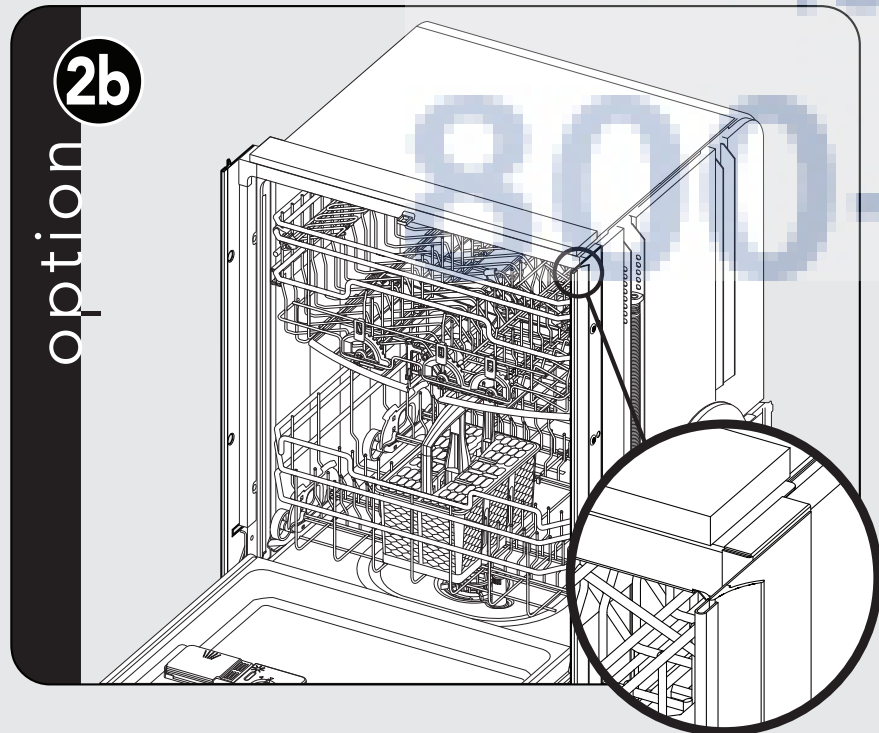
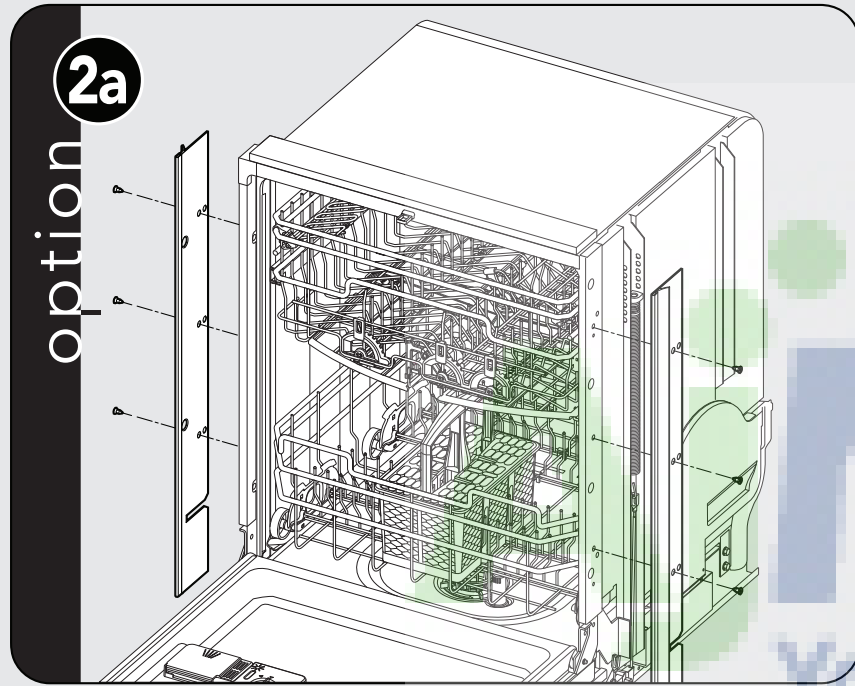
Trim Installation Options (not available on all units)

To install dishwasher without trim, remove the 6 screws (3 per side) and remove trim. To attach wiper gasket to dishwasher, pull protective film off adhesive back on wiper gaskets and apply to leading edge of dishwasher frame. Trim gasket to fit.



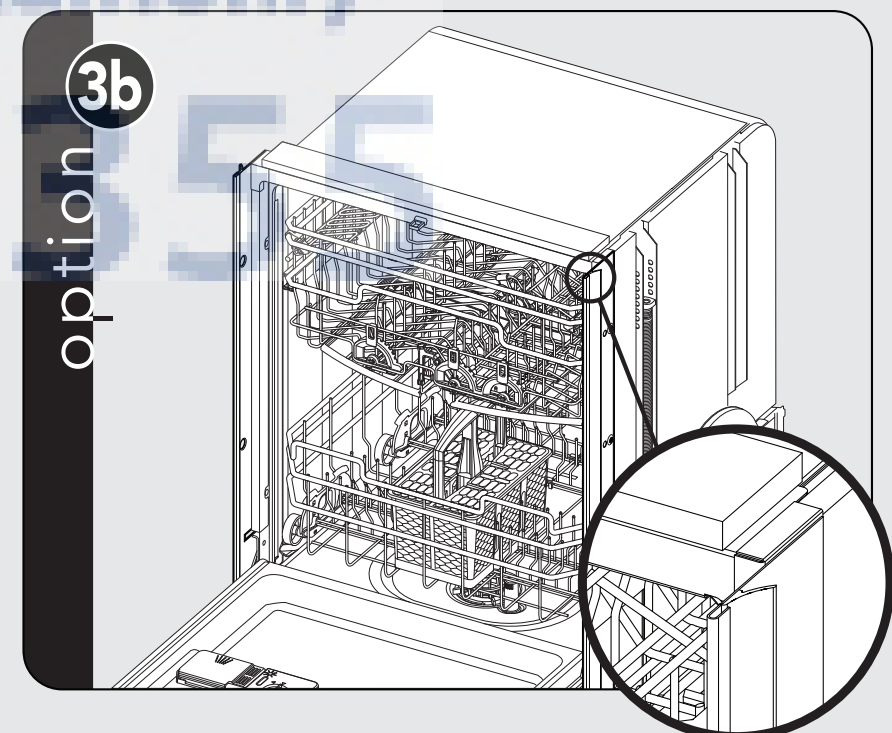
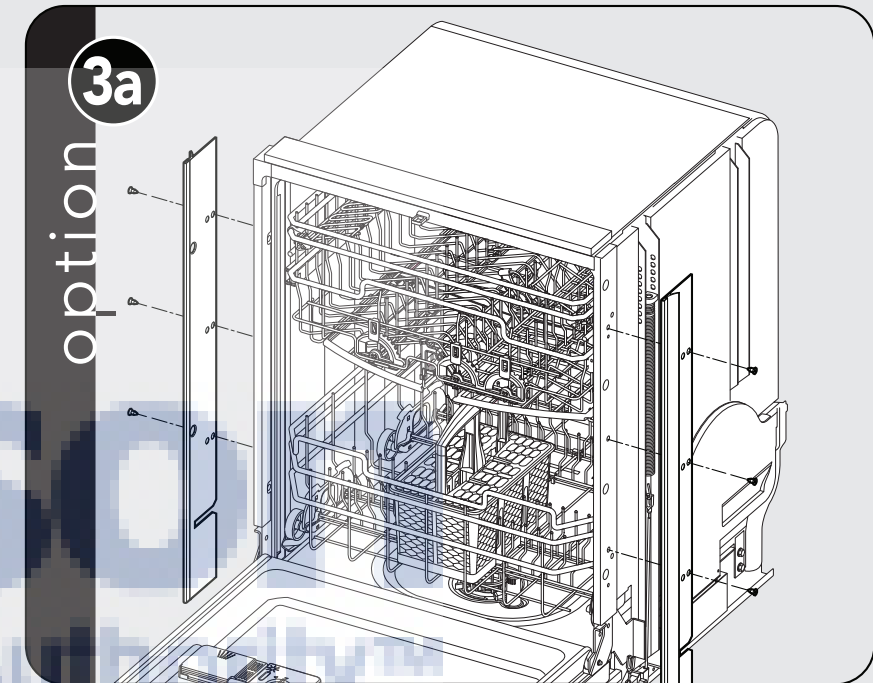
Trim Installation Options (cont'd.) (not available on all units)

Dishwasher will ship with trim installed for panel flush install. If needed, attach wiper gasket by pulling protective film off adhesive back on wiper gasket and apply behind hemmed edge of side trim.

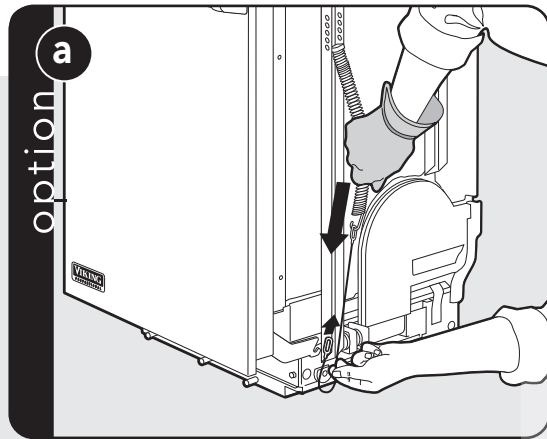


Trim Installation Options (cont'd.) (not available on all units)

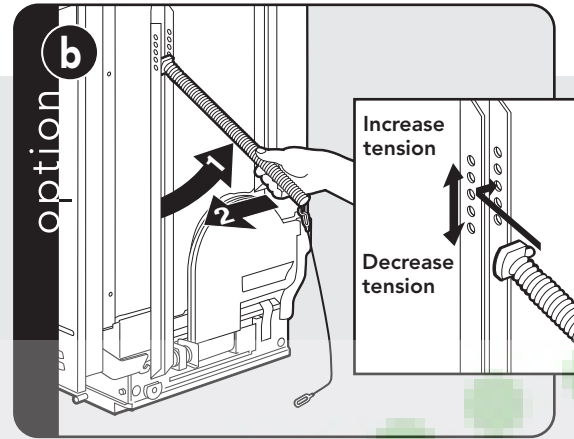
To install dishwasher cabinet flush with trim, remove the 6 screws (3 per side) holding side trim on. Shift the side trim forward. Use rear hole on side trim and the same hole on dishwasher to reattach trim. If needed, attach wiper gasket by pulling protective film off adhesive back on wiper gasket and apply behind hemmed edge of side trim.



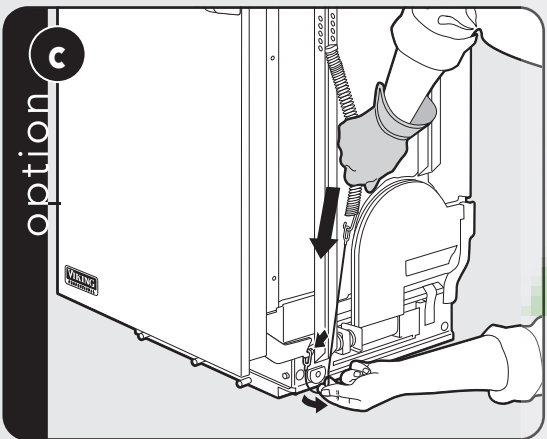
Counter Balance Spring Adjustment - If Necessary



Disconnect cable from hook.



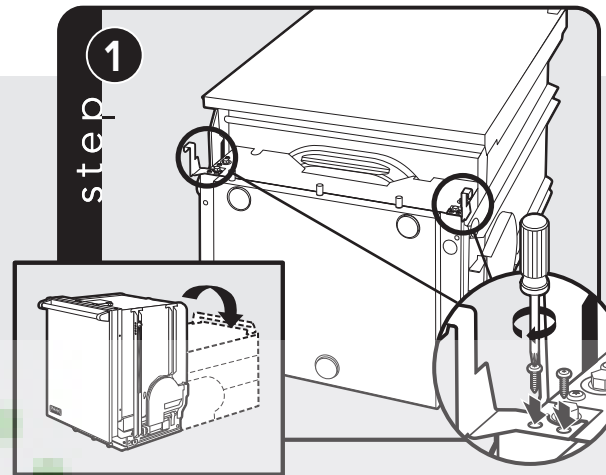
Set counter balance spring connector in appropriate location.



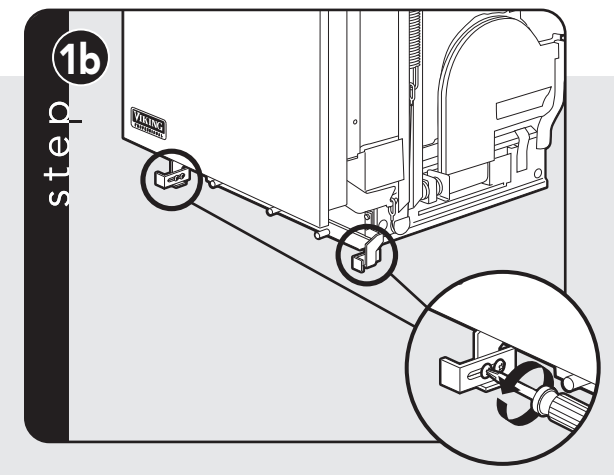
Reconnect cable to hook.

NOTE: For custom panel installation, the door may require adjustment to the preload of the counterbalance springs. Follow these steps to adjust the tension.

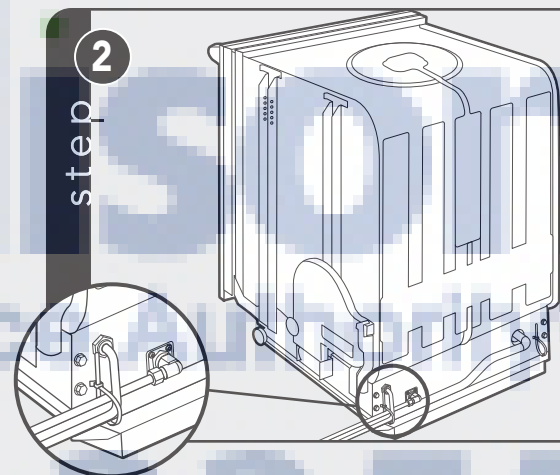
Installation Procedure



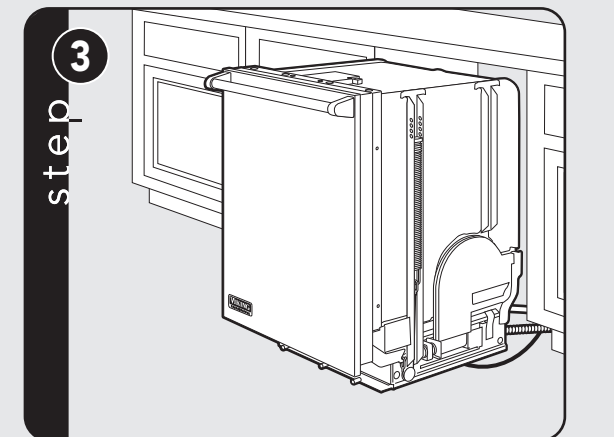
Carefully lay dishwasher on its back and attach the kick plate brackets. Screws for the brackets will already be in the base. **NOTE:** Be careful not to pinch hoses or power cord beneath dishwasher.



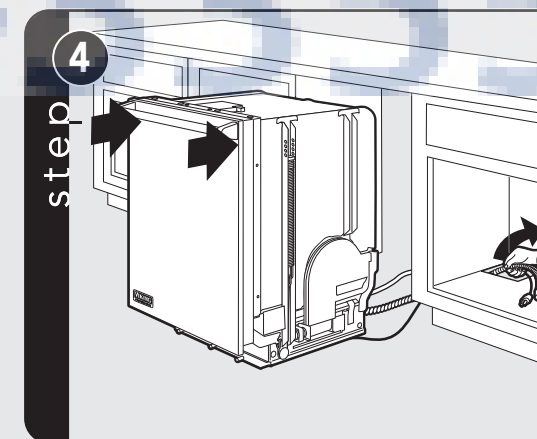
To adjust the depth of the kick plate, loosen screws on the bracket and position in the required depth. Tighten screws and repeat for other side.



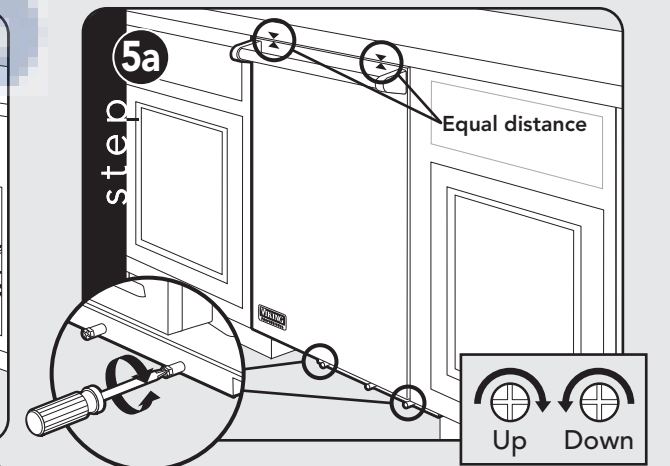
Using tie strap attached to dishwasher, band water line, drain line, and power cord together.



Position unit in front of cutout.

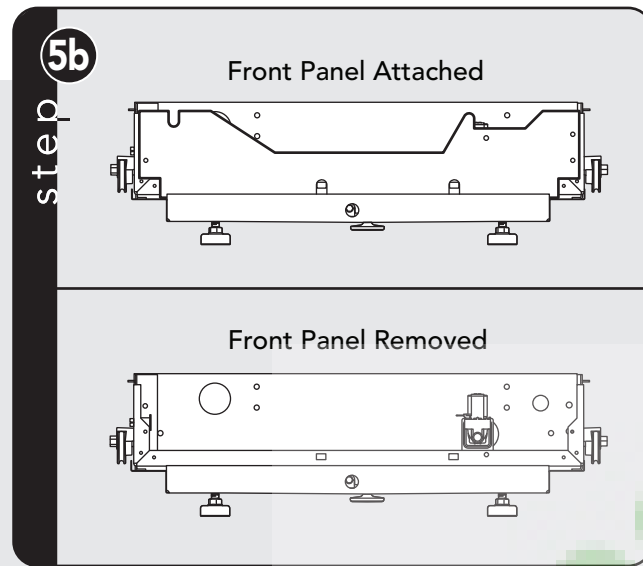


Slide unit into opening; be sure to feed water, electrical and discharge lines into adjacent cabinet.

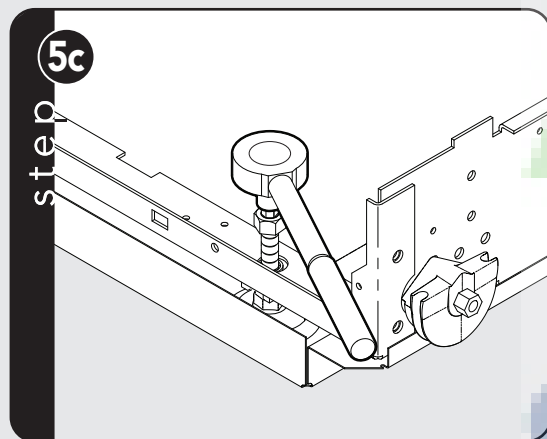


Using a level, adjust to appropriate height. Left and right adjust side to side and center adjusts front to back. (Select models only)

Installation Procedure (cont'd.)



Remove front panel to access the front leveling legs.

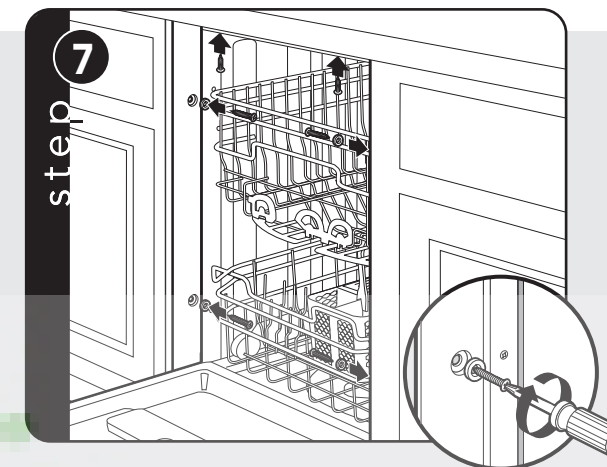


Leveling legs will be raised during shipping. Adjust front leveling legs down by using a 1/4 drive ratchet. When the adjustment nut is visible, complete the lowering of the legs from the top. When the legs are down, tighten the locking nut on the top of the leg. To level center rear leg, see Step 5a.

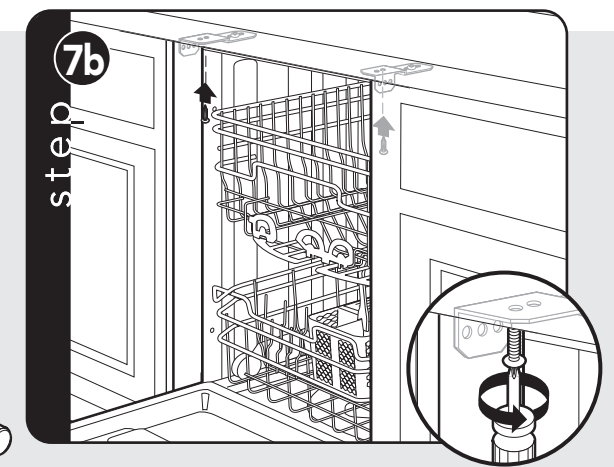


To check level, front to back, pull the top rack half-way out of unit. The rack should remain stationary and not move in or out. After unit is level, replace front panel and ensure overflow channel is in place.

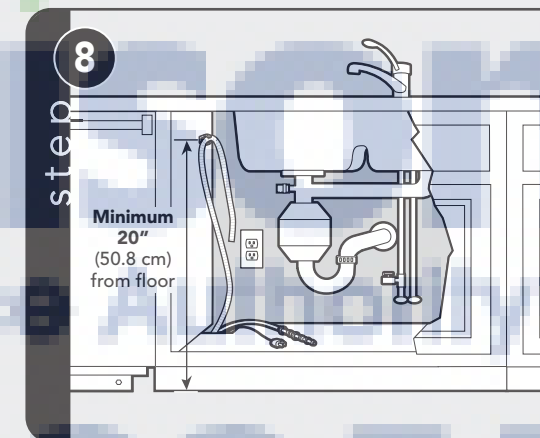
Installation Procedure (cont'd.)



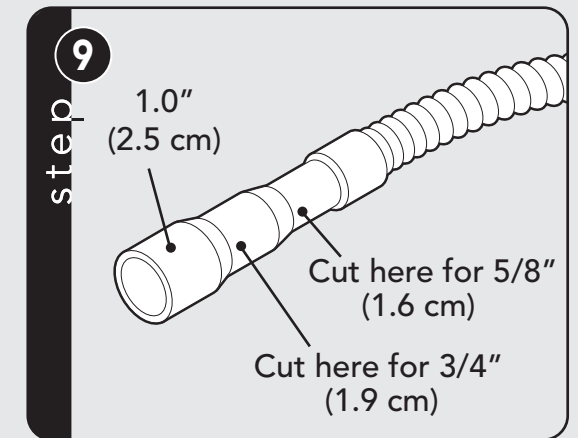
Attach screws through trim pieces into cabinets. (select models).



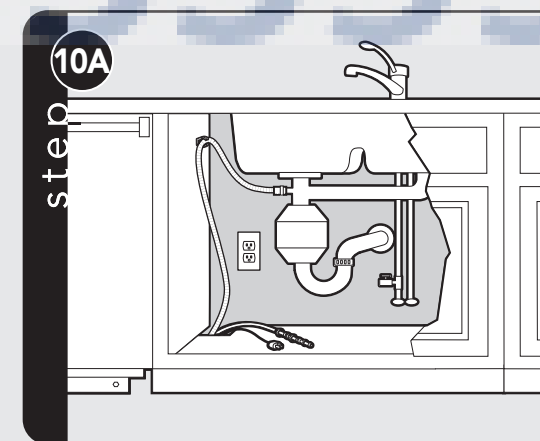
Attach screws through bracket into cabinets (select models).



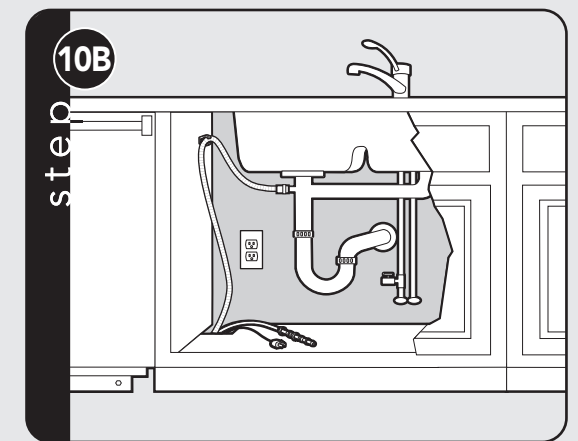
Install High Loop Clip, which is provided, a minimum of 20" (50.8 cm) from the floor.



Identify discharge connection size; cut line to correct size and connect. Clamp if necessary.

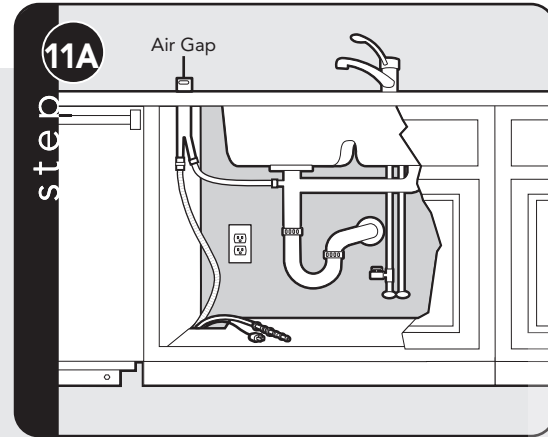


(Discharge with food waste disposer)

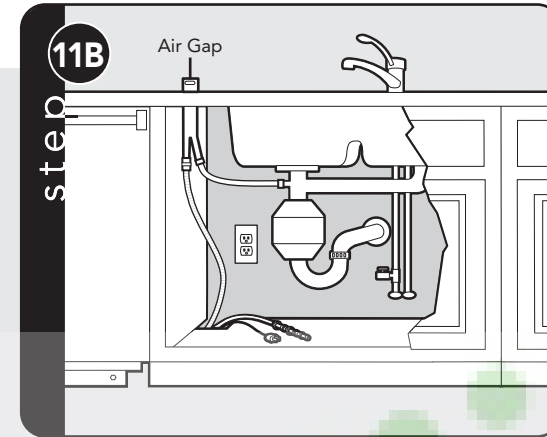


(Standard discharge)

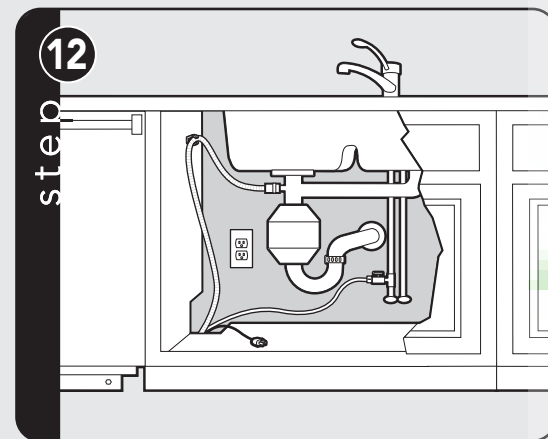
Installation Procedure (cont'd.)



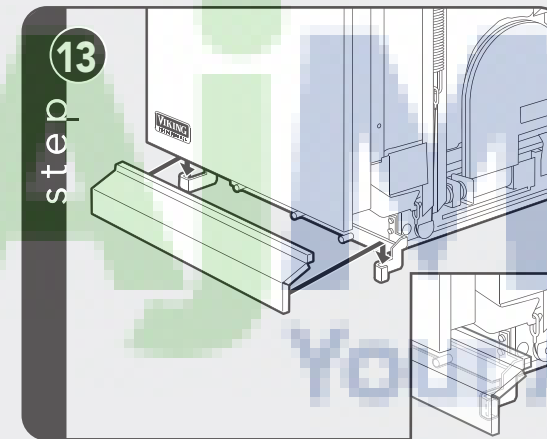
(Discharge with air gap)



(Discharge with food waste disposer and air gap)



Connect water line.



Plug LED light into dishwasher (select models only) and install kick plate.

Performance Checklist

Testing for Leaks

A qualified installer should carry out the following checks:

- Remove packaging and parts.
- Turn on the water supply and check for leaks.
- Turn the power on at breaker/fuse box and test the dishwasher operation by running a rinse and hold cycle. (This should take about 12 minutes.)
- Turn off the electrical power and check for leaks under the dishwasher.
- Make sure that no kinks have developed in the drain lines.

Final Preparation

- Some stainless steel parts may have a plastic protective wrap which must be peeled off.

Unit Reset

- If the unit should need to be reset for any reason, push and hold the "START" button for 4 seconds.



Service & Registration

Only authorized replacement parts may be used in performing service on the appliance. Do not repair or replace any part of the appliance unless specifically recommended in the manual. All servicing should be referred to a qualified technician.

Contact Viking Range Corporation, 1-888-VIKING1 (845-4641), for the nearest service parts distributor in your area or write to:

**VIKING RANGE CORPORATION
PREFERRED SERVICE
1803 Hwy 82W
Greenwood, Mississippi 38930 USA**

The serial number and model number for your dishwasher are located on the identification plate mounted on the bottom left side of the dishwasher door opening.

Record the following information indicated below. You will need it if service is ever required.

Model number _____

Serial number _____

Date of purchase _____

Date installed _____

Dealer's name _____

Address _____



**These installation instructions should remain with the unit
for future reference.**