



# REFRIGERATION

## Undercounter/Freestanding 15"W. Ice Machine



### Standard Features & Accessories

#### All models include

- Produces up to 65 lbs. of clear ice per day
- 26 lb. capacity ice bin
- 1" x 1-1/8" x 1-1/4" cube size
- LED light
- LED control panel
  - Power On/Off
  - Check water alert
  - Time to clean alert
- Water quality sensor
- Stainless steel exterior cabinet
- Tru-Flush™ design
- Agency certified for outdoor use
- Self-closing door
- 90° door stop option
- Black kickplate with stainless steel cover
- Adjustable leveling legs

### Model Options



**FGIM515/FPIM515  
Professional Door Panel  
(PIDP15)**

#### FINISH DETAILS FOR FGIM/FPIM MODEL

- Accepts optional Professional door panel
- Professional door panel available in stainless steel (SS)
- Professional door panels must be ordered left hinge (LH) or right hinge (RH)



**FGIM515/FPIM515  
Designer Door Panel  
(DIDP15)**

#### FINISH DETAILS FOR FGIM/FPIM MODEL

- Accepts optional Designer door panel
- Designer door panel available in stainless steel (SS)
- Designer door panels must be ordered left hinge (LH) or right hinge (RH)



**FGIM515/FPIM515  
Custom Panel**

#### FINISH DETAILS FOR FGIM/FPIM MODEL

- Handle not included—opt for custom handle, or purchase a Viking Professional Series or Designer Series handle kit (see **Installation Notes & Accessories**).
- Accepts 3/4"-thick custom wood front
- See **Custom Panels** section for more information and additional specifications.





★ Please see Installation Notes & Accessories for important information, including drain pump and handle kits.

## Dimensions & Specifications

### PRODUCT DIMENSIONS



**FGIM515/FPIM515**  
Professional Door Panel  
(PIDP15)

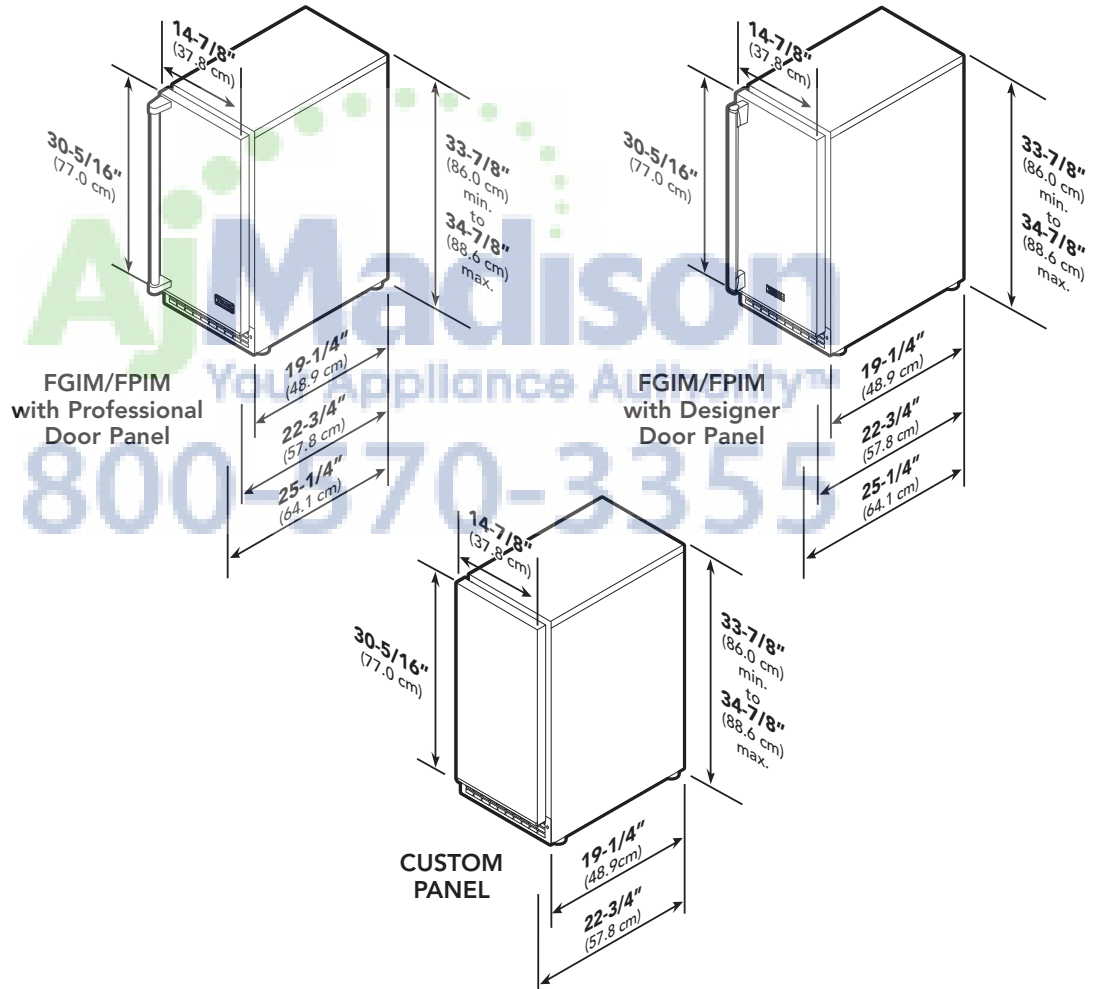


**FGIM515/FPIM515**  
Designer Door Panel  
(DIDP15)



**FGIM515/FPIM515**  
Custom Panel

See Custom Panels section for more information and additional specifications.



	<b>FGIM515</b>	<b>All Models</b>	<b>FPIM515</b>
Overall width		14-7/8" (37.8 cm)	
Overall height		33-7/8" (86.0 cm) min. to 34-7/8" (88.6 cm) max.	
Overall depth (from rear)			
To front of handle		25-1/4" (64.1 cm)	
With door open		37-3/4" (95.9 cm)	
Approx. ship weight	113 lbs. (51.2 kg)		118 lbs. (53.5 kg)



## Dimensions & Specifications

### DOOR SWING



**FGIM515/FPIM515**  
Professional Door Panel  
(PIDP15)

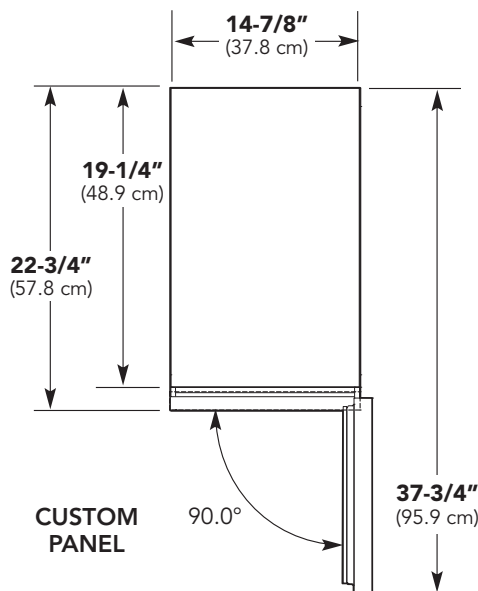
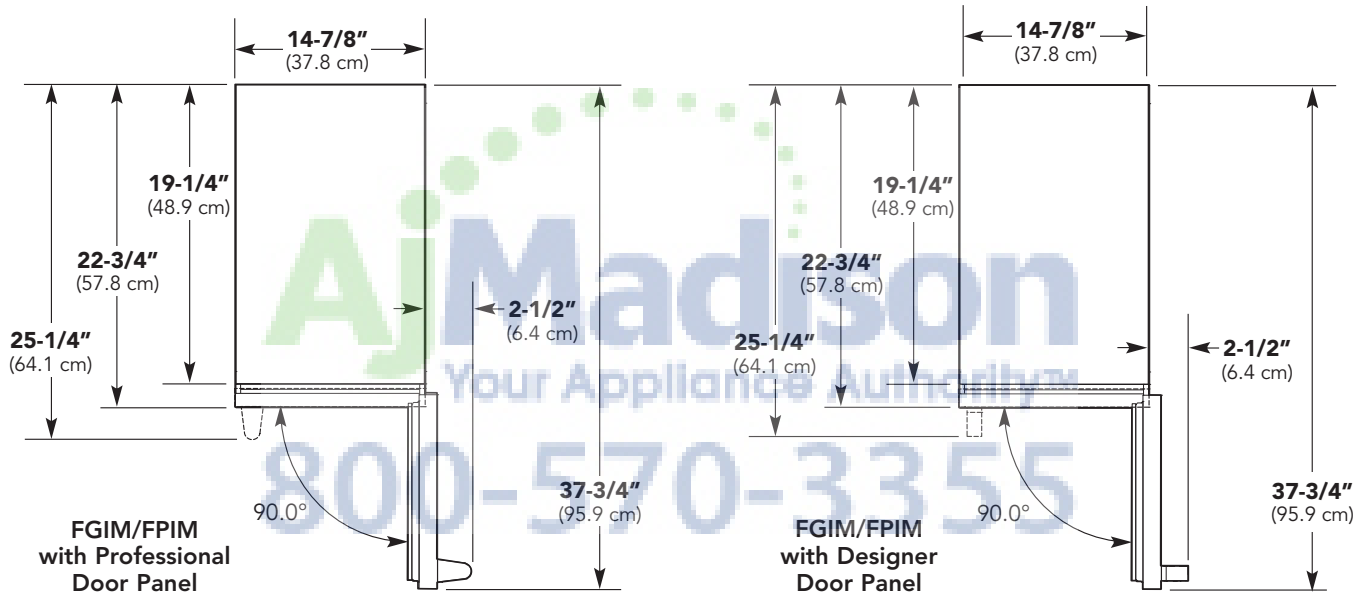


**FGIM515/FPIM515**  
Designer Door Panel  
(DIDP15)



**FGIM515/FPIM515**  
Custom Panel

See **Custom Panels** section for more information and additional specifications.





**UTILITY REQUIREMENTS**



**GAS**  
Not applicable



- ELECTRICAL**
- 6' (1.8 m), 3-wire cord with grounded, 3-prong plug attached to product
  - 115V/60 Hz; 15-amp dedicated circuit
  - Max. amp usage—5.0



- PLUMBING**
- Inlet waterline requirements—1/4" (0.64 cm) OD copper tubing
  - 20 psi min.; 80 psi max.

**Installation Requirements**

**ACCESS REQUIREMENTS**



**FGIM515/FPIM515 Professional Door Panel (PIDP15)**



**FGIM515/FPIM515 Designer Door Panel (DIDP15)**



**FGIM515/FPIM515 Custom Panel**

See **Custom Panels** section for more information and additional specifications.



<b>All models</b>	
Cutout width	15" (38.1 cm)
Cutout height	34-1/4" (86.4 cm) min. to 35-1/4" (89.5 cm) max.
Cutout depth	24" (61.0 cm)



## ★ Installation Notes & Accessories

### Door Panel Kits

- For use with custom panel ice machine
- Kit includes one door panel and installation hardware
- Order "R" for right hinge or "L" for left hinge

Model	Description	Approx. ship wt. lbs. (kg)
PIDP15L-SS	Professional door panel LH (Stainless Steel)	14 (6.3)
PIDP15R-SS	Professional door panel RH (Stainless Steel)	14 (6.3)
DIDP15L-SS	Designer door panel LH (Stainless Steel)	14 (6.3)
DIDP15R-SS	Designer door panel RH (Stainless Steel)	14 (6.3)

### Handle Kits

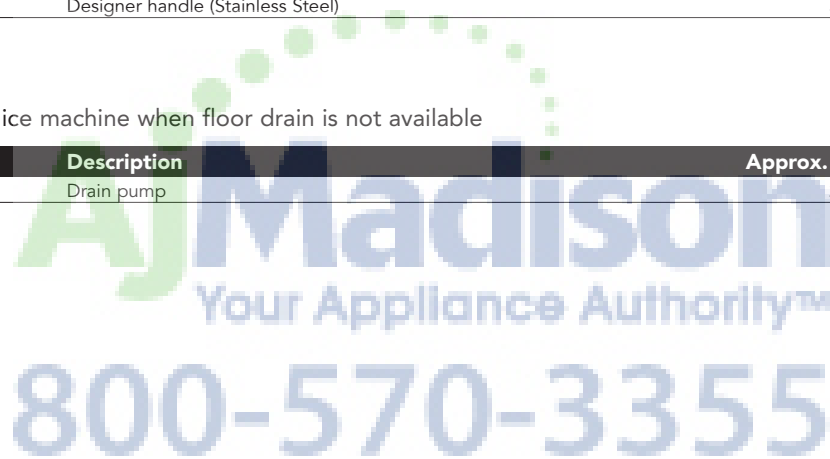
- For use with custom panel ice machine
- For use on locally supplied custom panel
- Handles allow custom panel products to coordinate with other Professional and Designer products
- Kit includes one handle and installation hardware

Model	Description	Approx. ship wt. lbs. (kg)
PHK30-SS	Professional handle (Stainless Steel)	6 (2.7)
DDHK29-SS	Designer handle (Stainless Steel)	5 (2.3)

### Drain Pump Kit

- For use with FGIM ice machine when floor drain is not available

Model	Description	Approx. ship wt. lbs. (kg)
DP-FGIM	Drain pump	2 (0.9)



### Compliance Information



### WARRANTY SUMMARY\*

- Two-year full warranty—complete unit
- Six-year full warranty—sealed refrigeration system (includes compressor, condenser, dryer/strainer, evaporator, and connecting tubing)
- Twelve-year limited warranty—sealed refrigeration system
- Ninety-day limited warranty—cosmetic parts such as glass, painted, and decorative items

\*For complete warranty see *Use & Care Guide*. Warranty valid on Viking products shipped within the United States and Canada.

