



OUTDOOR—REFRIGERATION

Undercounter/Freestanding 24"W. Refrigerated Drawer



Standard Features & Accessories

All models include

- Agency-certified for outdoor use
 - A stainless steel exterior cabinet surrounds the unit and forms a water-resistant seal
 - Insulated electrical terminals, sealed electrical contacts, and a water-resistant thermostat provide optimal performance in all weather elements
- Normal operating range between 110°F (43.4°C) and 40°F (4.4°C) (Viking recommends that units be shut off in temperatures outside these limits)
- Capacity—5.8 cu. ft. (164.1 L)
- Temperature adjusts from 33 – 45°F
- Full-extension drawer glides
- Vertical storage of wine bottles or two-liter drink bottles in bottom drawer
- Hidden touchpad control with LED digital temperature readout
- Automatic cycle defrost
- Interior LED lighting
- Install as undercounter or freestanding unit

Model Options



VURD1441T
Professional

FINISH DETAILS FOR VURD MODEL

- Solid door—Stainless Steel (SS)

AjMedison
Your Appliances Authority™
800-570-3355





OUTDOOR—REFRIGERATION

Undercounter/Freestanding 24"W. Refrigerated Drawer



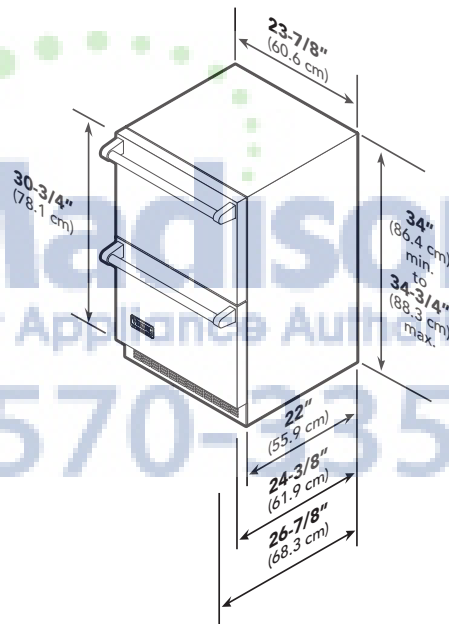
★ Please see
Installation Notes &
Accessories
for important
information,
including pan sets
and dividers.

Dimensions & Specifications

PRODUCT DIMENSIONS



VURD1441T
Professional



PROFESSIONAL

VURD1441T	
Overall width	23-7/8" (60.6 cm)
Overall height	34" (86.4 cm) min. to 34-3/4" (88.3 cm) max.
Overall depth (from rear)	
To front edge of lower vent	22" (55.9 cm)
To front edge of door	24-3/8" (61.9 cm)
To front edge of handle	26-7/8" (68.3 cm)
With drawer fully extended	47-1/4" (120.0 cm)
Approx. ship wt.	180 lbs. (81.8 kg)





OUTDOOR—REFRIGERATION

Undercounter/Freestanding
24"W. Refrigerated Drawer

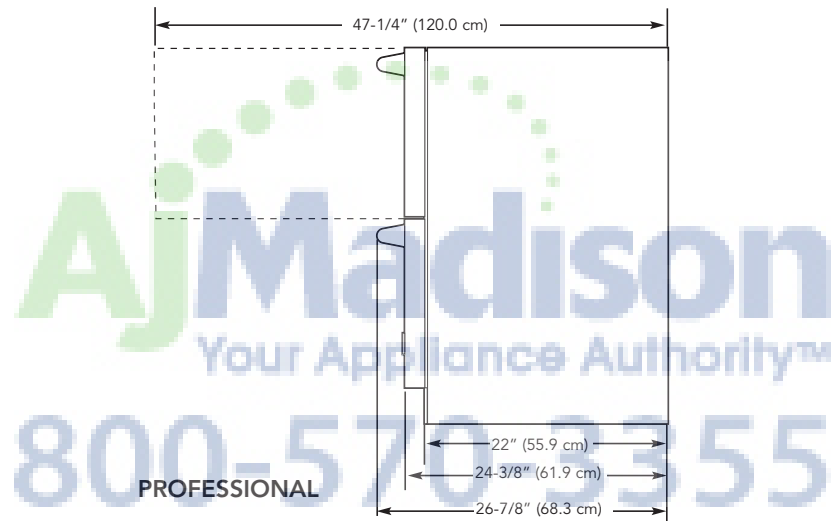


Dimensions & Specifications

DRAWER EXTENSION



VURD1441T
Professional





OUTDOOR—REFRIGERATION

Undercounter/Freestanding 24"W. Refrigerated Drawer



UTILITY REQUIREMENTS



GAS
Not applicable



ELECTRICAL

- Three-wire cord with grounded three-prong plug attached to product
- 115 VAC/60 Hz; 15 amp dedicated circuit
- Maximum amp usage—3.3



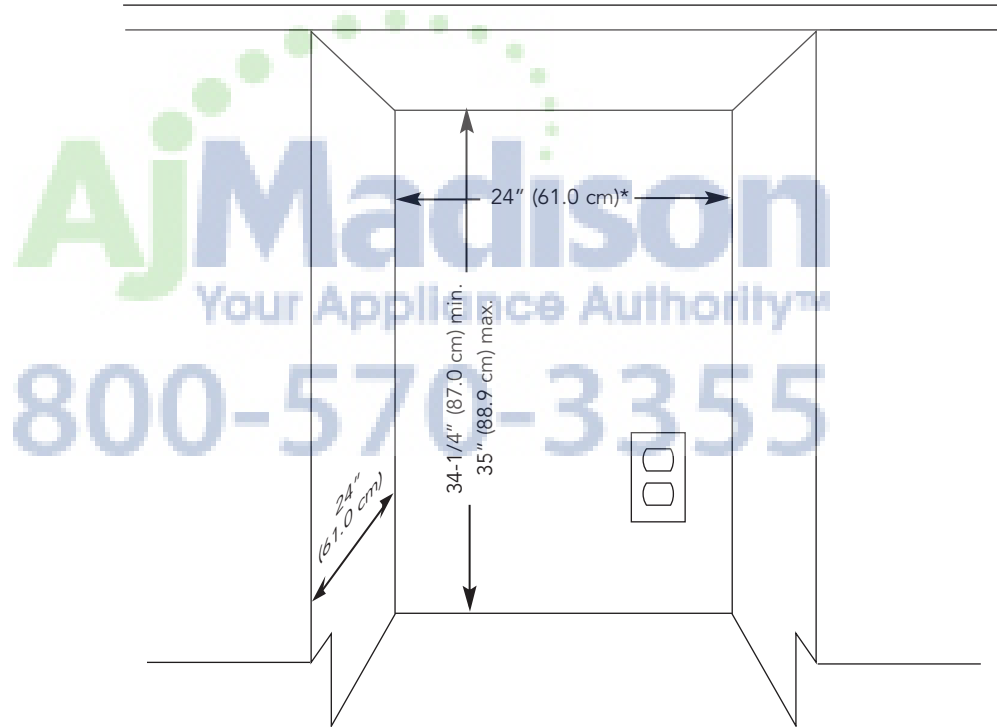
PLUMBING
Not applicable

Installation Requirements

ACCESS REQUIREMENTS



VURD1441T
Professional



*Optional: Cutout for electrical outlet can be placed in adjacent cabinetry.

VURD1441T	
Cutout width	24" (61.0 cm)*
Cutout height	34-1/4" (87.0 cm) min. to 35" (88.9 cm) max.
Cutout depth	24" (61.0 cm)





OUTDOOR—REFRIGERATION

Undercounter/Freestanding 24"W. Refrigerated Drawer



★ Installation Notes & Accessories

Pan Set

- Stainless Steel (SS)
- Four commercial restaurant-style pans with clear lids
 - Two 6"D. x 6-15/16"L. x 6-3/8"W.—2.3 qt. (2.2 lit.) capacity
 - One 6"D. x 12-13/16"L. x 6-15/16"W.—5.8 qt. (5.5 lit.) capacity
 - One 8"D. x 12-13/16"L. x 10-7/16"W.—11.6 qt. (11.0 lit.) capacity
- Stainless Steel (SS) pan support rail

Model	Description	Approx. ship wt. lbs. (kg)
RDPS	Pan set	12 (5.4)



Compliance Information



WARRANTY SUMMARY*

- Two-year full warranty—complete unit
- Six-year full warranty—sealed refrigeration system
- Twelve-year limited warranty—sealed refrigeration system
- Ninety-day limited—cosmetic parts such as glass, painted, and decorative items

*For complete warranty, see *Use & Care Guide*. Warranty valid on Viking products shipped within the United States and Canada.

