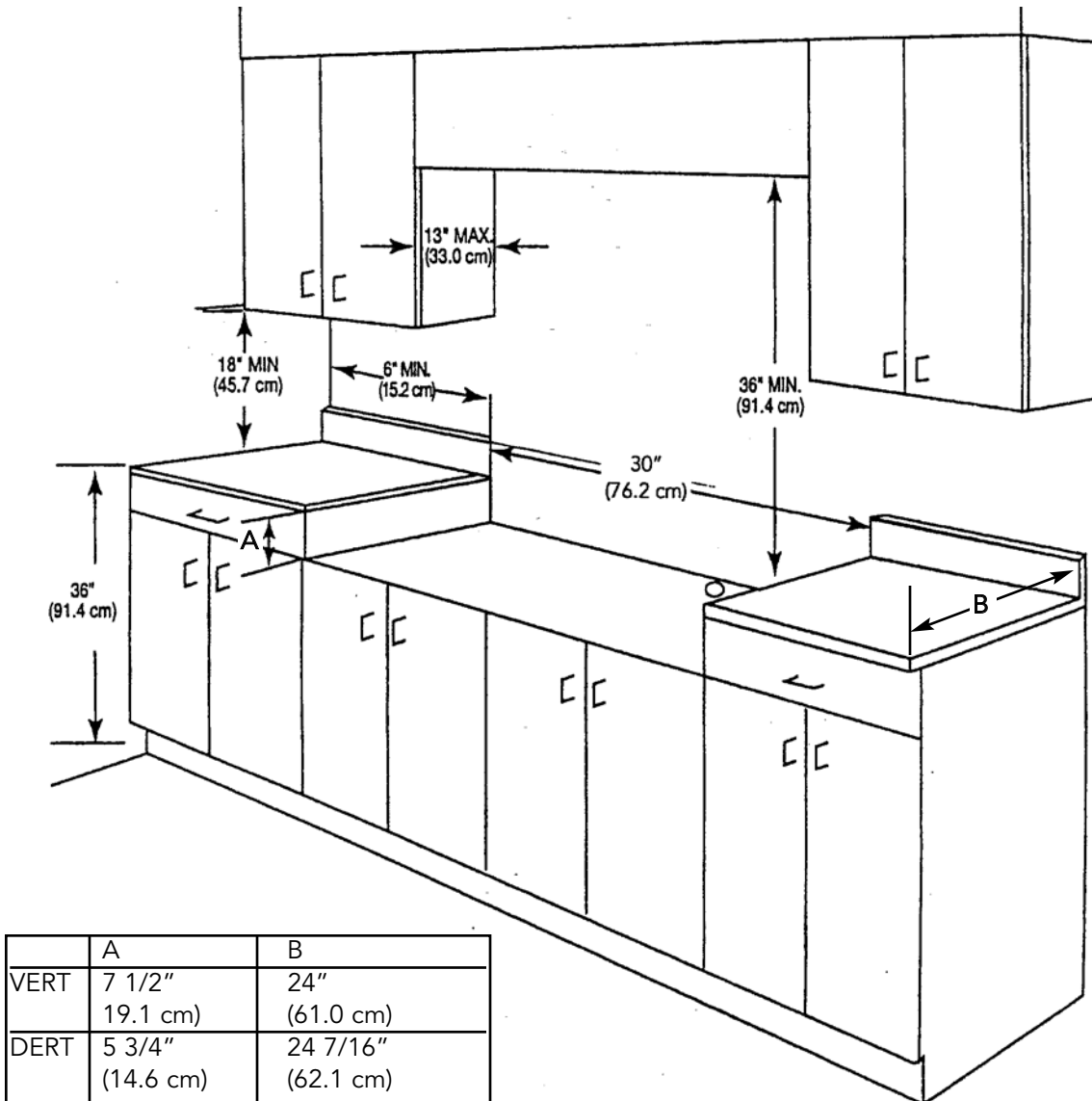


PROXIMITY TO SIDE CABINET INSTALLATION

1. This rangetop may be installed directly adjacent to existing 36" (91.4 cm) high base cabinets. **IMPORTANT:** The top grate support **MUST** be 3/8" (.95 cm) above the adjacent base cabinet countertop.
2. The rangetop **CANNOT** be installed directly adjacent to sidewalls, tall cabinets, tall appliances, or other side vertical surfaces above 36" (91.4 cm) high. There must be a minimum of 6" (15.2 cm) side clearance from the rangetop to such combustible surfaces above the 36" (91.4 cm) counter height.
3. Within the 6" (15.2 cm) side clearance to combustible vertical surfaces above 36" (91.4 cm), the maximum wall cabinet depth must be 13" (33.0 cm) and wall cabinets within this 6" (15.2 cm) side clearance must be 18" (45.7 cm) above the 36" (91.4 cm) high countertop.
4. Wall cabinets above the rangetop must be a minimum of 36" (91.4 cm) above the rangetop cooking surface for the full width of the rangetop. This minimum height requirement does not apply if a rangehood is installed over the cooking surface.



ELECTRICAL REQUIREMENTS

Check your national and local codes regarding this unit. This rangetop is supplied with a 3 wire conduit which is equipped with a No. 10 ground wire. See next section for grounding instructions. **This unit should be fused separately.** **CAUTION:** Be sure the electrical power is off from the breaker box to the junction box until the unit is installed and ready to operate. The junction box should be located as shown in the drawing and connected to a suitable ground.

SPECIFICATIONS - ELECTRIC RANGE

Description	VESC306-4B	
Overall Width	29 7/8" (75.9 cm)	
Overall Height from Bottom	Base Height To top of glass frame - Min. 35 7/8" (91.1cm) to Max. 37 5/8" (95.6 cm) [Legs adjust 1 3/4" (4.5cm)] Additions to Base Height To top of island trim - add 1 1/4" (3.2 cm) To top of backguard - add 6" (15.2 cm) To top of high shelf - add 23 1/2" (59.7 cm)	
Overall Depth from Rear	To end of side panel - 24 5/16" (61.8 cm) To end of control panel - 26 1/4" (66.7 cm) To end of knobs - 27 3/4" (70.5 cm)	
Electrical Requirements	240-208/120 VAC/60Hz - Connect with locally supplied 3-wire, flexible cord rated 60 amp 125-250 minimum. Cord must be agency approved for use with household electric ranges.	
Maximum Amp Usage	240V - 58.5 amps	208V - 50.7 amps
Preheat Rating	240V - 24.0 amps	208V - 20.8 amps
Surface Element Rating	240V Left Front 1500 watts Left Rear 2400 watts Right Front 1800 watts Bridge 800 watts Right Rear 1800 watts	
Broil Rating	240V Maxi Broil - (8 Pass) 3000 watts Mini Broil - (4 Pass) 1250 watts	
Bake Rating (partial power from broil element)	240V - 2935 watts	
Convection Cook Rating	240V - 2200 watts	
Oven Interior Dimension	Width - 23" (58.4 cm) Height - 16 1/8" (41.1 cm) Depth - 15 3.8" (39.1 cm) Overall size - 3.3 cu. ft.	
Approximate Shipping Weight	424 lb. (190.8 kg.)	

Minimum clearances from adjacent combustible construction

- Cooking surface and below (36" [91.4 cm] and below)
 - Sides - 0"
 - Rear - 0" with backguard or high shelf; 0" with island trim and non-combustible rear wall; 6" (15.2 cm) with island trim and combustible rear wall.
 - Top grate support - 36" (91.4 cm)
- Above cooking surface (above 36" [91.4 cm])
 - Sides - 6" (15.2 cm)
 - Within 6" (15.2 cm) side clearance, wall cabinets no deeper than 13" (33.0 cm) must be minimum 18" (45.7 cm) above cooking surface.
 - Wall cabinets directly above product must be minimum 36" (91.4 cm) above cooking surface
- Use range only with factory supplied legs.