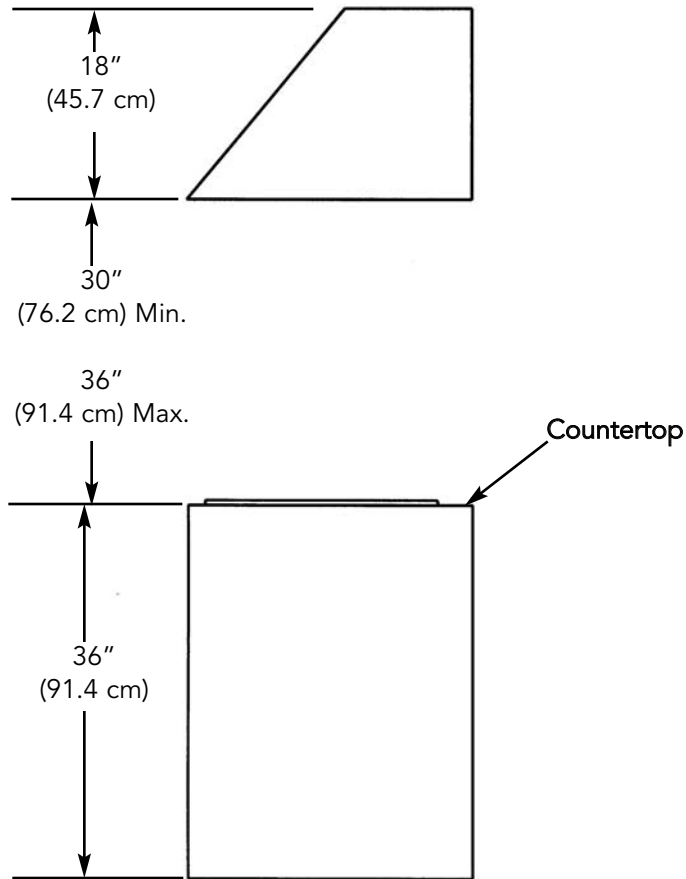


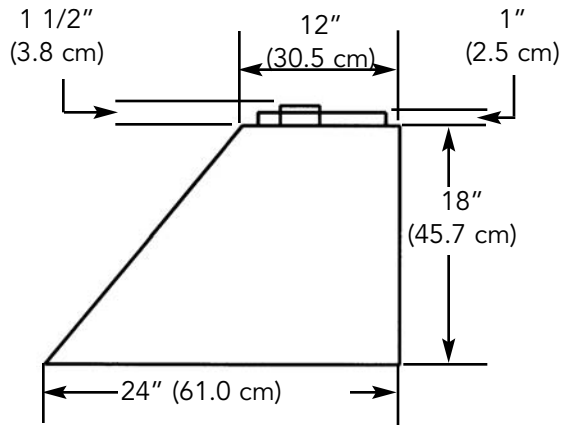
## HEIGHT OF HOOD

The bottom of the hood should be 30" (76.2 cm) min. to 36" (91.4 cm) max. above the countertop. This would typically result in the bottom of the hood being 66" (167.6 cm) to 72" (182.9 cm) above the floor. For best performance, it is recommended that the bottom of the hood be 30" (76.2 cm) to 33" (83.8 cm) above the countertop. These dimensions provide for safe and efficient operation of the hood.

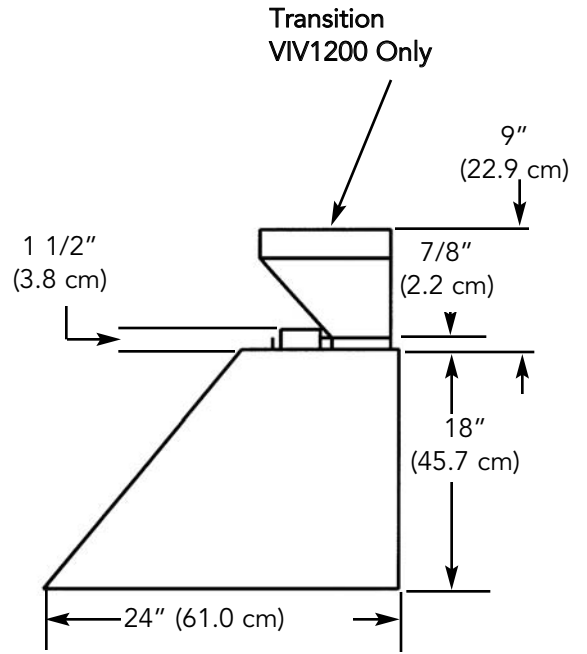
## CLEARANCE DIMENSIONS



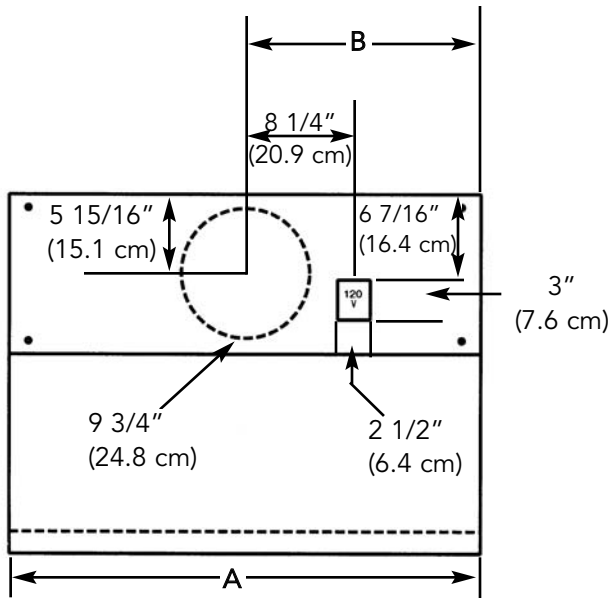
WALL HOOD DIMENSIONS  
 TALL TRADITIONAL - LEDGELESS/  
 TALL TRADITIONAL - LEDGE



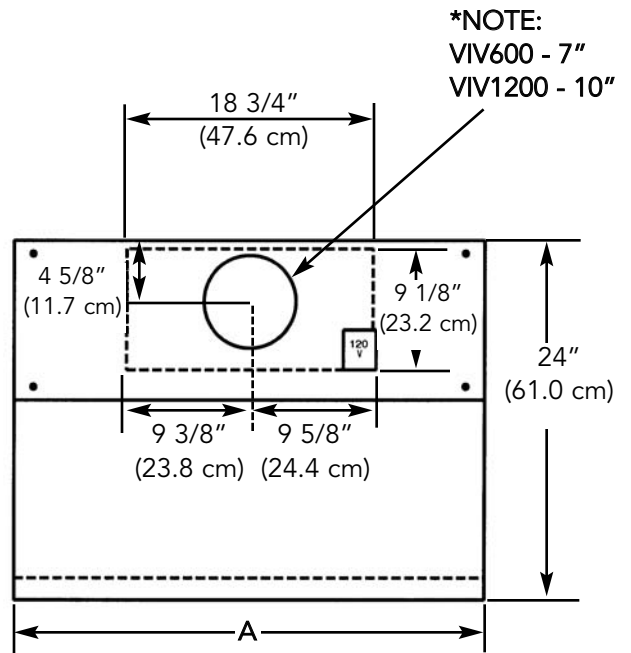
SIDE VIEW  
 EXTERNAL POWER



SIDE VIEW  
 INTERNAL POWER

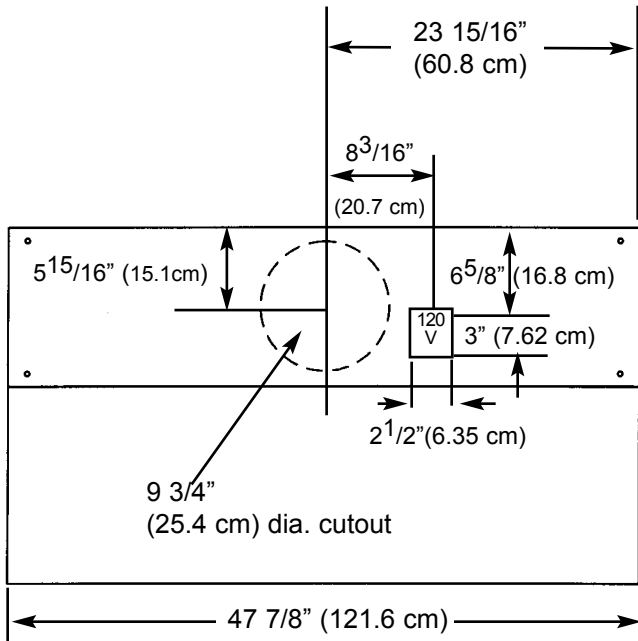


30"W., 36"W., 42" W.  
 EXTERNAL POWER - VEV900 or VEV1200

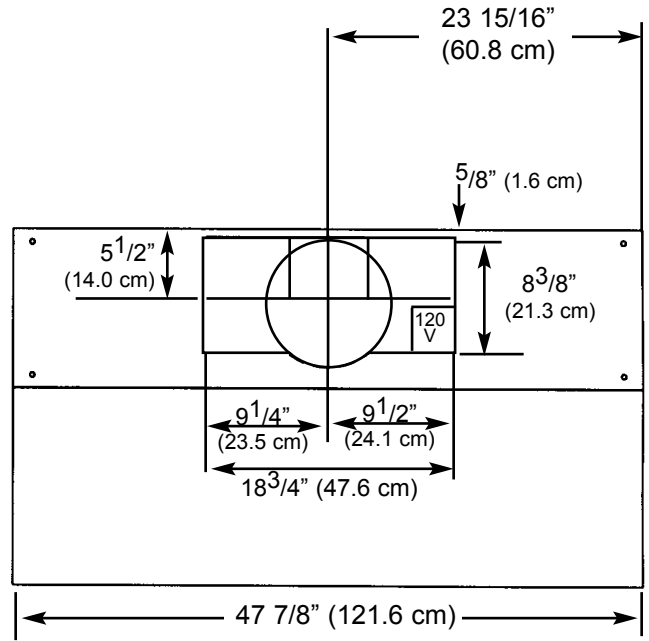


30"W., 36"W., 42" W.  
 INTERNAL POWER - VIV300, VIV600, or VIV1200

	A	B
30" W. Models	29 <sup>7</sup> / <sub>8</sub> " (75.9 cm)	14 <sup>15</sup> / <sub>16</sub> " (37.94 cm)
36" W. Models	35 <sup>7</sup> / <sub>8</sub> " (91.1 cm)	17 <sup>15</sup> / <sub>16</sub> " (45.56 cm)
42" W. Models	41 <sup>7</sup> / <sub>8</sub> " (106.4 cm)	20 <sup>15</sup> / <sub>16</sub> " (18.18 cm)
48" W. Models	47 <sup>7</sup> / <sub>8</sub> " (121.6 cm)	23 <sup>15</sup> / <sub>16</sub> " (60.8 cm)



48" W.  
EXTERNAL POWER - VEV1200 or VEV1500



48" W.  
INTERNAL POWER - VIV1200

BASIC SPECIFICATIONS  
 INTERIOR AND EXTERIOR POWER HOODS

DESCRIPTION	RECOM. CFM <sup>1</sup> (int.-interior; ext-exterior)	NUMBER OF HALOGEN LIGHTS	FILTERS	SPACERS	120VAC/60Hz MAX. AMPS <sup>3</sup> (Interior/Exterior)
<b>18" H. Wall</b>					
30"W.*	300 int./600 int./1200 int./900 ext./1200 ext.	2	2	0	2.4/4.6/6.6/6.6/3.9
36"W.*	300 int./600 int./1200 int./900 ext./1200 ext.	2	2	1	2.4/4.6/6.6/6.6/3.9
42"W.*	600 int./1200 int./900 ext./1200 ext.	2	3	0	4.6/6.6/6.6/4.0
48"W.	1200 int./1200 ext./1500 ext.	3	3	0	7.0/4.3/5.1

\*1200 CFM (or 1500 CFM if applicable) exterior ventilator should be used when installed over ranges/rangetops with gas grill.

MODEL NUMBER	APPROXIMATE CFM <sup>1</sup>	RECOMMENDED DUCT SIZE	MAX. DUCT RUN <sup>2</sup> (ft.)
<b>For Use with hoods:</b>			
VIV300 (interior)	300	7" round	50
VIV600 (interior)	600	7" round	50
VIV1200 (interior)	1200	10" round	50
VEV900 (exterior)	900	10" round	50
VEV1200 (exterior)	1200	10" round	50
VEV1500 (exterior)	1500	10" round	75

**PROPER INSTALLATION/DUCTING IS EXTREMELY IMPORTANT TO ENSURE MAXIMUM PERFORMANCE FROM ANY VENTILATION PRODUCT**

- All CFMs stated are based on tests at .1 static pressure: without applying static pressure, CFM would be greatly overstated.
- Duct run length is for general reference only; for longer duct runs, increase duct size and contact a qualified and trained installer.
  - Straight runs and gradual turns are best; for example, each 90° elbow is equivalent to 5-10 feet (1.52 - 3.05 cm) of straight run.
  - Never use flexible duct; it creates back pressure/air turbulence and greatly reduces performance.
  - Proper performance is dependent upon proper ducting; make sure that a qualified and trained installer is used.
  - Check with a qualified and trained installer or local codes for makeup air requirement, if any.**
- Max. amp rating for hoods includes recommended ventilator kit rating; all products must be hard wired direct with 2-wire with ground.