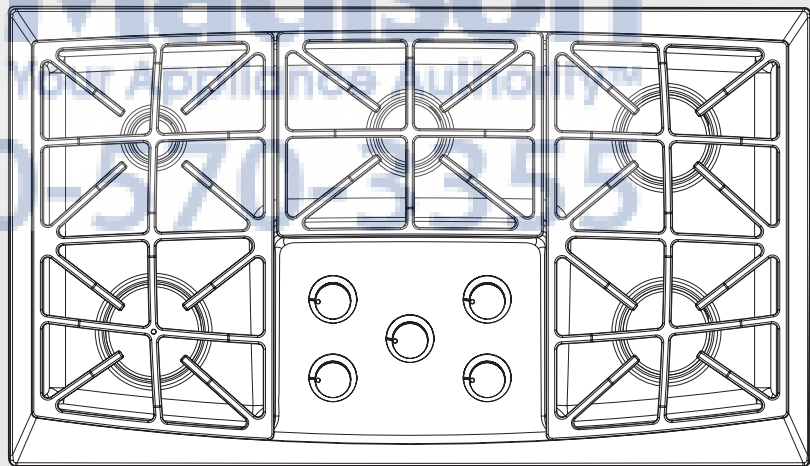
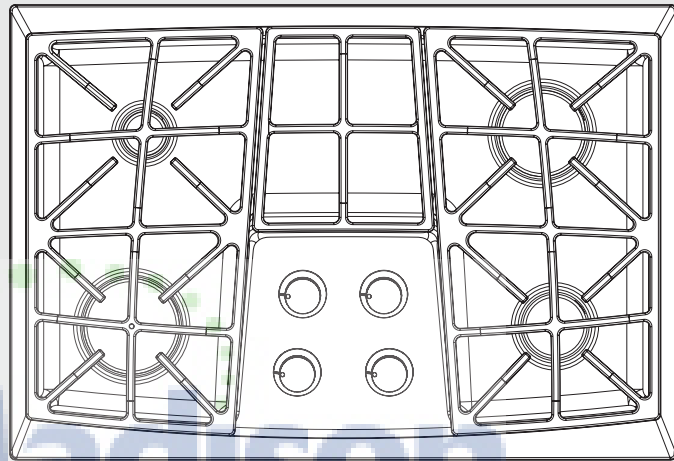


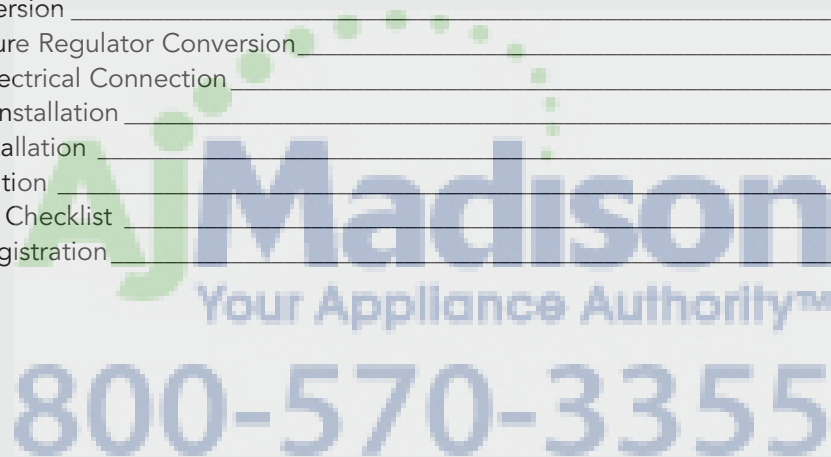
Viking Installation Guide



Designer DGVU Built-In Gas Cooktops

Table of Contents

Warnings & Important Safety Instructions	3
Dimensions (30")	6
Dimensions (36")	7
Specifications	8
Cutout Dimensions	9
Downdraft Dimensions	9
Clearance Dimensions (Proximity to Cabinets)	10
Clearance Dimensions (Wood/Composite or Steel Overlay)	11
Electrical & Gas Requirements	12
General Information	14
Installation	15
LP Conversion	16
LP Pressure Regulator Conversion	17
Gas & Electrical Connection	18
Bracket Installation	18
Final Installation	18
Final Preparation	19
Performance Checklist	19
Service & Registration	20



IMPORTANT— Please Read and Follow

- Before beginning, read these instructions thoroughly and carefully.
- Installation and service must be performed by a qualified installer, service agency, or the gas supplier.
- **DO NOT** remove permanently affixed labels, warnings, or plates from the product as this may void the warranty.
- Observe all local and national codes, requirements and ordinances.
- Installation must conform with local codes or in the absence of codes, the National Fuel Gas Code, ANSI Z223.1- latest edition and the National Electrical Code, ANSI/NFPA 70- latest edition.

In Canada: Installation must be in accordance with the current CAN/CGA B149.1 & 2 Gas Installation codes and with the current CSA C22.1 Canadian Electrical Codes Part 1 and/or local codes.

- Installation of any gas-fired equipment should be made by a licensed plumber.
- A manual gas shut-off valve must be installed in the gas supply line ahead of the cooktop in the gas stream for safety and ease of service.

In Massachusetts: This appliance must be installed by a licensed plumber or gas-fitter. A "T" handle manual gas valve must be installed in the gas supply line to the appliance.

- Installers should leave these instructions with the consumer who should retain them for the local inspector's use and for future reference.

Your safety and the safety of others is very important.

We have provided many important safety messages in this manual and on your appliance. **ALWAYS** read and obey all safety messages.



This is the safety alert symbol. This symbol alerts you to hazards that can kill or hurt you and others.

All safety messages will be preceded by the safety alert symbol and the word "DANGER," "WARNING" or "CAUTION." These words mean:

DANGER

Hazards or unsafe practices which WILL result in severe personal injury or death

WARNING

Hazards or unsafe practices which COULD result in severe personal injury or death

CAUTION

Hazards or unsafe practices which COULD result in minor personal injury or property damage.

All safety messages will identify the hazard, tell you how to reduce the chance of injury, and tell you what can happen if the instructions are not followed.

IMPORTANT— Please Read and Follow

DANGER



FIRE/EXPLOSION HAZARD

IF THE INFORMATION IN THIS MANUAL IS NOT FOLLOWED EXACTLY, A FIRE OR EXPLOSION MAY RESULT CAUSING PROPERTY DAMAGE, PERSONAL INJURY, OR DEATH.

- **DO NOT** store or use gasoline or other flammable vapors and liquids in the vicinity of this or any other appliance.
- **WHAT TO DO IF YOU SMELL GAS:**
 - DO NOT** try to light any appliance.
 - DO NOT** touch any electrical switch.
 - DO NOT** use any phone in your building.
 - Immediately call your gas supplier from a neighbor's phone.
 - Follow the gas supplier's instructions.
 - If you cannot reach your gas supplier, call the fire department.
- Installation and service must be performed by a qualified installer, service agency, or the gas supplier.

CAUTION

BURN HAZARD

The use of cabinets for storage above the appliance may result in a potential burn hazard. Combustible items may ignite, metallic items may become hot and cause burns. If a cabinet storage is to be provided the risk can be reduced by installing a range hood that projects horizontally a minimum of 5" (12.7 cm) beyond the bottom of the cabinets.

WARNING



CHEMICAL HAZARD

If not installed, operated and maintained in accordance with the manufacturer's instructions, this product could expose you to substances in fuel or from fuel combustion which can cause death or serious illness and which are known to cause cancer, birth defects, or other reproductive harm.

For example, benzene is a chemical which is part of the gas supplied to the cooking product. It is consumed in the flame during combustion. However exposure to a small amount of benzene is possible if a gas leak occurs. Formaldehyde and soot are byproducts of incomplete combustion. Properly adjusted burners with a bluish rather than yellow flame will minimize incomplete combustion.

CAUTION

Before placing the cooktop into operation, always check for gas leaks with a soapy water solution or other acceptable method. **DO NOT USE AN OPEN FLAME TO CHECK FOR LEAKS.**

WARNING

This appliance shall not be used for space heating. This information is based on safety considerations.

IMPORTANT— Please Read and Follow

⚠ WARNING

ELECTRICAL GROUNDING INSTRUCTIONS

The cooktop must be electrically grounded in accordance with local codes or, in the absence of codes, with the ANSI/NFPA No. 70-latest edition. Installation should be made by a licensed electrician. This appliance is equipped with a three-prong grounding plug for your protection against shock hazard and should be plugged directly into a properly grounded receptacle. **DO NOT** cut or remove the grounding prong from the plug.

For personal safety, this appliance must be properly grounded. DO NOT under any circumstances cut or remove the third (ground) prong from the power plug.

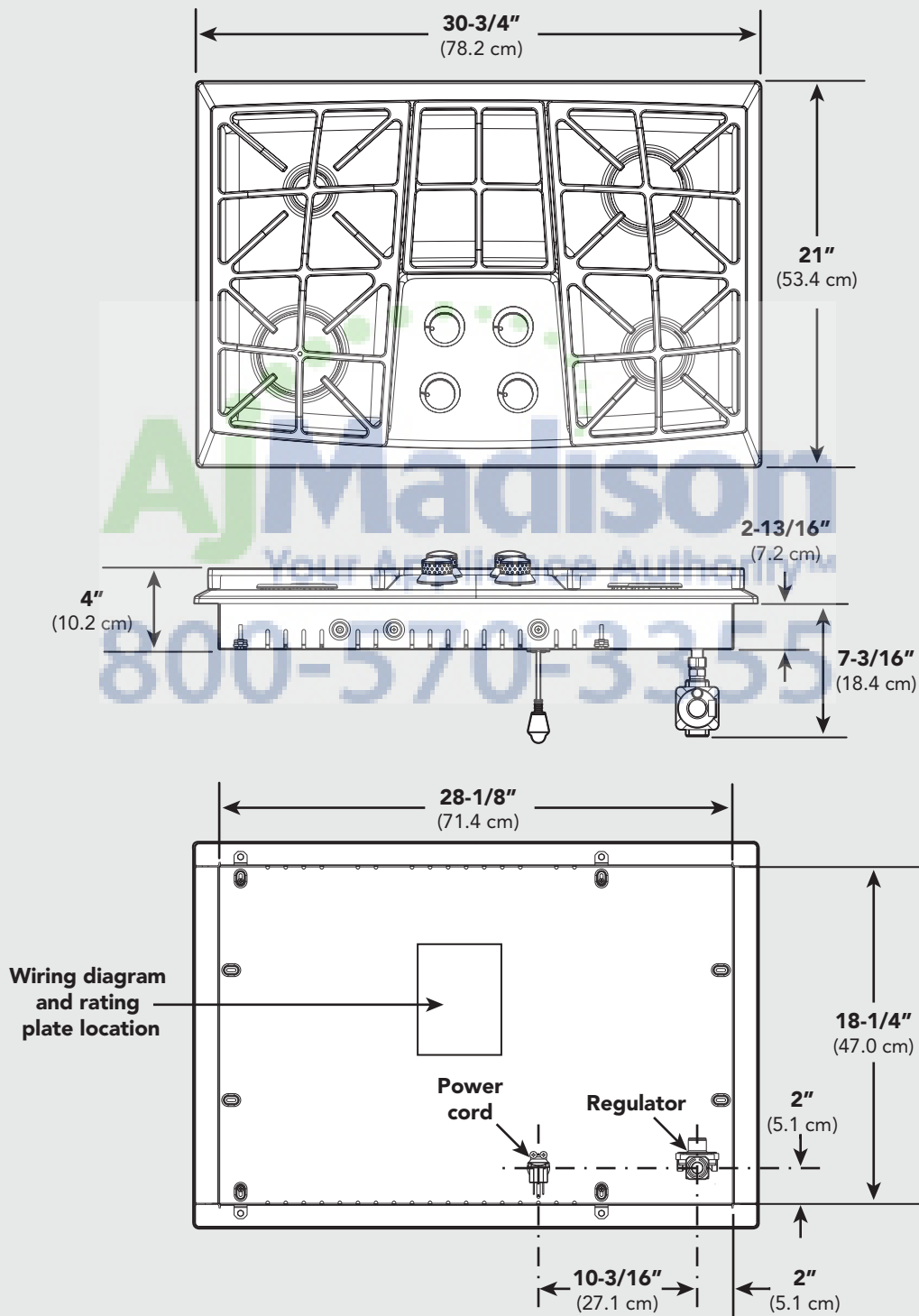
⚠ WARNING

SITE PREPARATION

It is recommended that a thorough site inspection be conducted **PRIOR** to unpacking and moving this appliance.

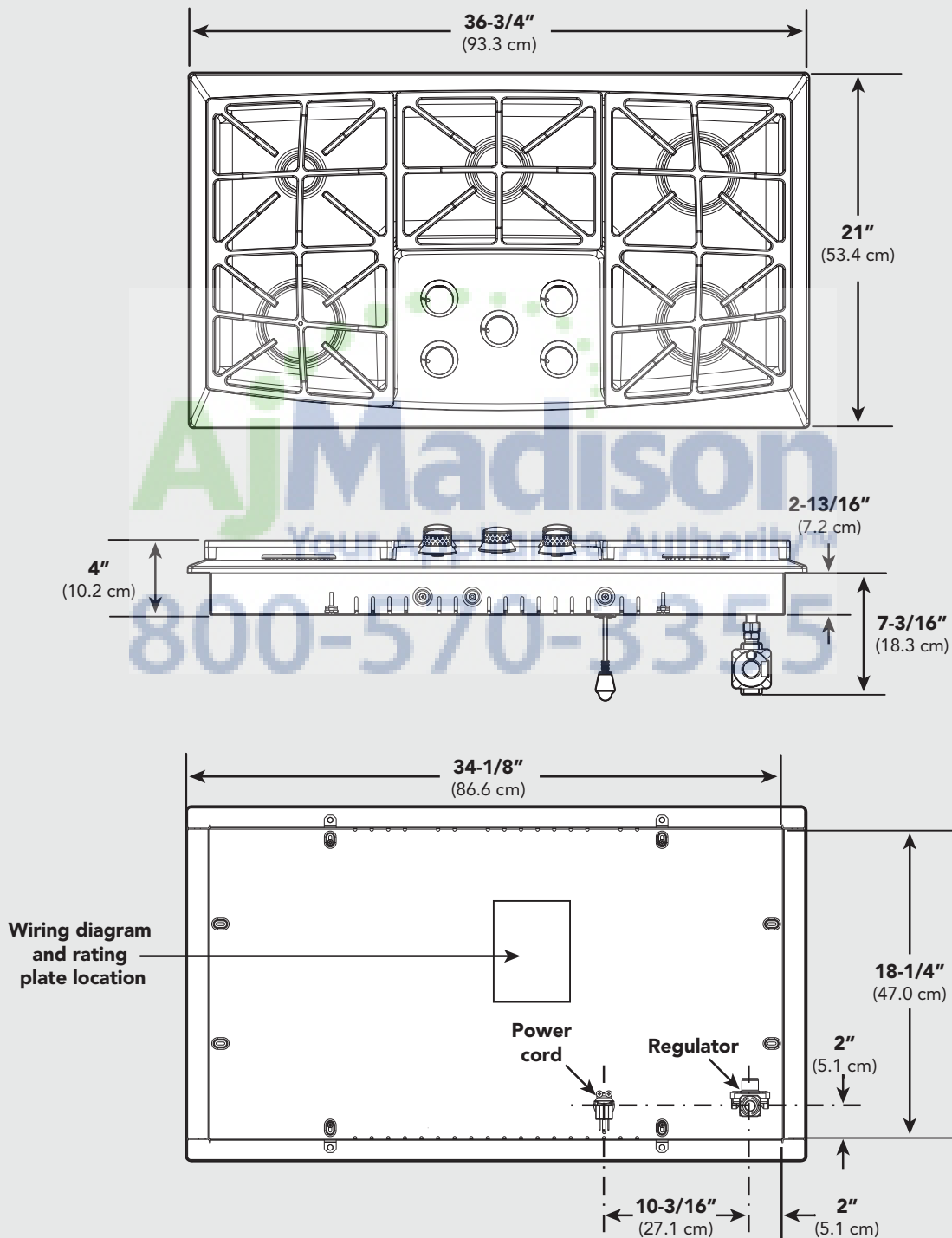
Dimensions

30" Gas Cooktop



Dimensions

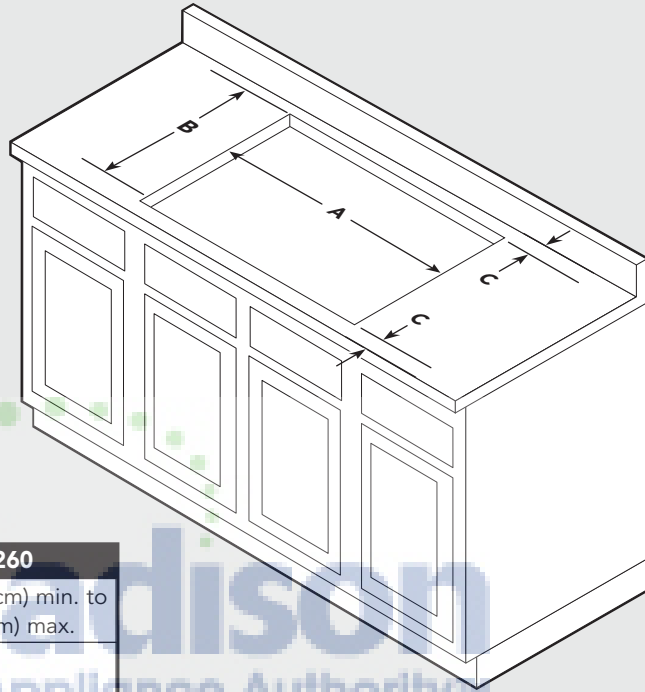
36" Gas Cooktop



Specifications

Designer Gas Cooktops		
Description	DGVU200	DGVU260
Overall width	30-3/4" (78.1 cm)	36-3/4" (93.3 cm)
Overall height from bottom to top of grate	4" (10.2 cm)	
Overall depth from rear	21" (53.3 cm)	
Cutout width	28-1/2" (72.4 cm) min. to 29" (73.6 cm) max.	34-1/2" (87.6 cm) min. to 35" (88.9 cm) max.
Cutout height	2-13/16" (7.2 cm)	
Cutout depth	19" (48.3 cm) min. to 19-5/8" (49.8 cm)	
Gas requirements	Accepts standard residential 1/2" (1.3 cm) I. D. gas service line. Shipped natural; gas regulator and orifice spuds are supplied with the product. To field convert from natural or LP/Propane, the orifice spuds and regulator must be physically changed.	
Electrical requirements	120 VAC/60 Hz; 4 ft. (121.9 cm), 3-wire cord with grounded 3-prong plug attached to product.	
Maximum amp usage	2.0 amps	
Surface element rating		
Left front	15,000 Nat./LP (BTU) (4.4 Nat./LP (kw))	15,000 Nat./LP (BTU) (4.4 Nat./LP (kw))
Left rear	4,000 Nat./LP (BTU) (1.0 Nat./LP (kw))	4,000 Nat./LP (BTU) (1.0 Nat./LP (kw))
Center front/rear	N/A	9,000 Nat./LP (BTU) (2.6 Nat./LP (kw))
Right front	9,000 Nat./LP (BTU) (2.6 Nat./LP (kw))	12,000 Nat./LP (BTU) (3.5 Nat./LP (kw))
Right rear	12,000 Nat./LP (BTU) (3.5 Nat./LP (kw))	12,000 Nat./LP (BTU) (3.5 Nat./LP (kw))
Approximate shipping weight	35 lb. (13.1 kg)	60 lb. (27.2 kg)

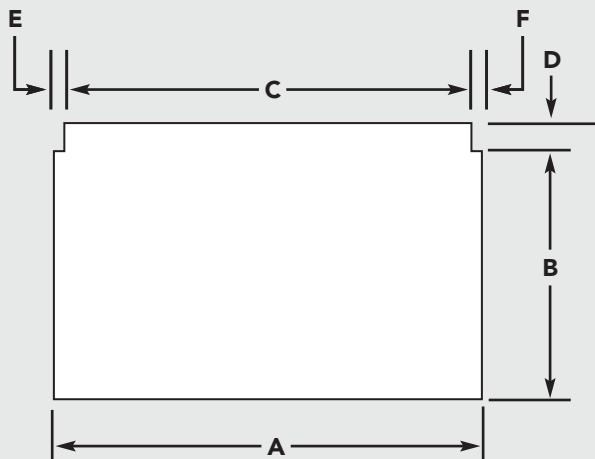
Cutout Dimensions



	DGVU200	DGVU260
A	28-1/2" (72.4 cm) min. to 29" (73.6 cm) max.	34-1/2" (87.6 cm) min. to 35" (88.9 cm) max.
B	19" (48.3 cm) min. to 19-5/8" (49.8 cm)	
C	2-1/2" (6.4 cm)	

Note: Based on 24" deep cabinet with 3/4" backsplash.

Downdraft Dimensions



	DGVU200	DGVU260
A	29-1/8" (74.0 cm)	34-7/8" (88.6 cm)
B	20-5/8" (52.3 cm)	
C	27 (68.6 cm)	33" (84.0 cm)
D	2-1/4" (5.7 cm)	
E	1-1/16" (1.1 cm)	15/16" (1.0 cm)
F	1-1/16" (1.1 cm)	15/16" (1.0 cm)

Note: Refer to the downdraft installation instructions.

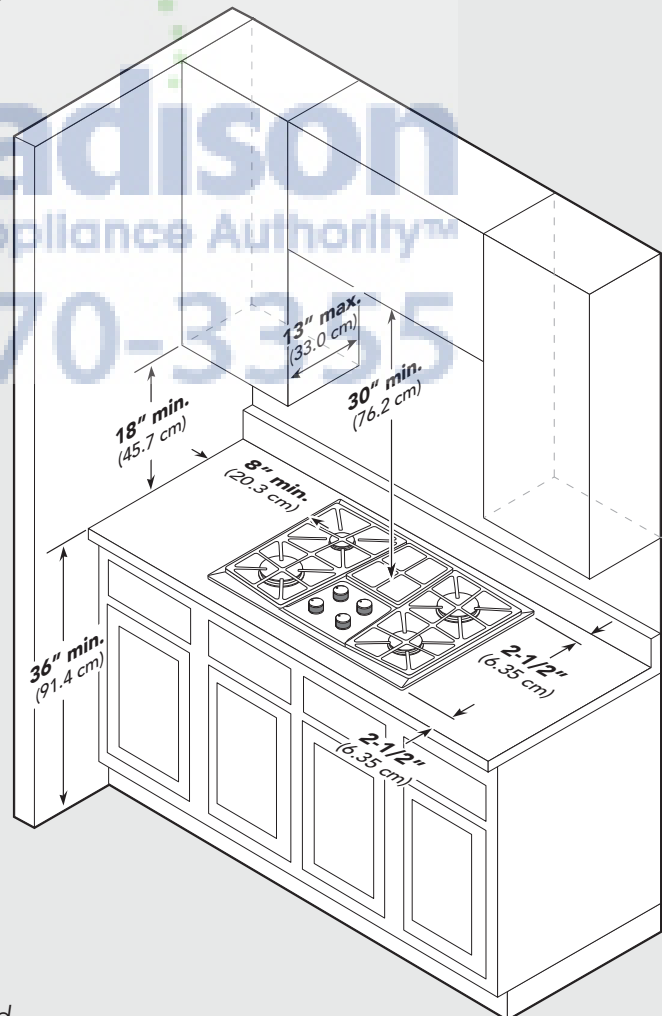
Clearance Dimensions (Proximity to Cabinets)

Proximity to Side Cabinet Installation

- The cooktop may be installed directly to existing base cabinets.
- The cooktop **CANNOT** be installed directly adjacent to sidewalls, tall cabinets, tall appliances, or other side vertical surfaces above 36" (91.4 cm) high. There must be a minimum of 5" (12.7 cm) side clearance from the cooktop to such combustible surfaces above the 36" (91.4 cm) counter height.
- Within the 8" (20.3 cm) side clearance to combustible vertical surfaces above 36" (91.4 cm), the maximum wall cabinet depth must be 13" (33.0 cm) and wall cabinets within this 8" (20.3 cm) side clearance must be 18" (45.7 cm) above the 36" (91.4 cm) high countertop.
- Wall cabinet above the cooktop must be a minimum of 30" (76.2 cm) above the countertop for a full width of the cooktop. This minimum height requirement does not apply if a rangehood is installed over the cooking surface.
- A 120 volt wall receptacle should be located approximately 6" (15.2 cm) below the countertop cutout and 12" (30.5 cm) from the right side of the cutout.

Minimum Clearances from Adjacent Combustible Construction

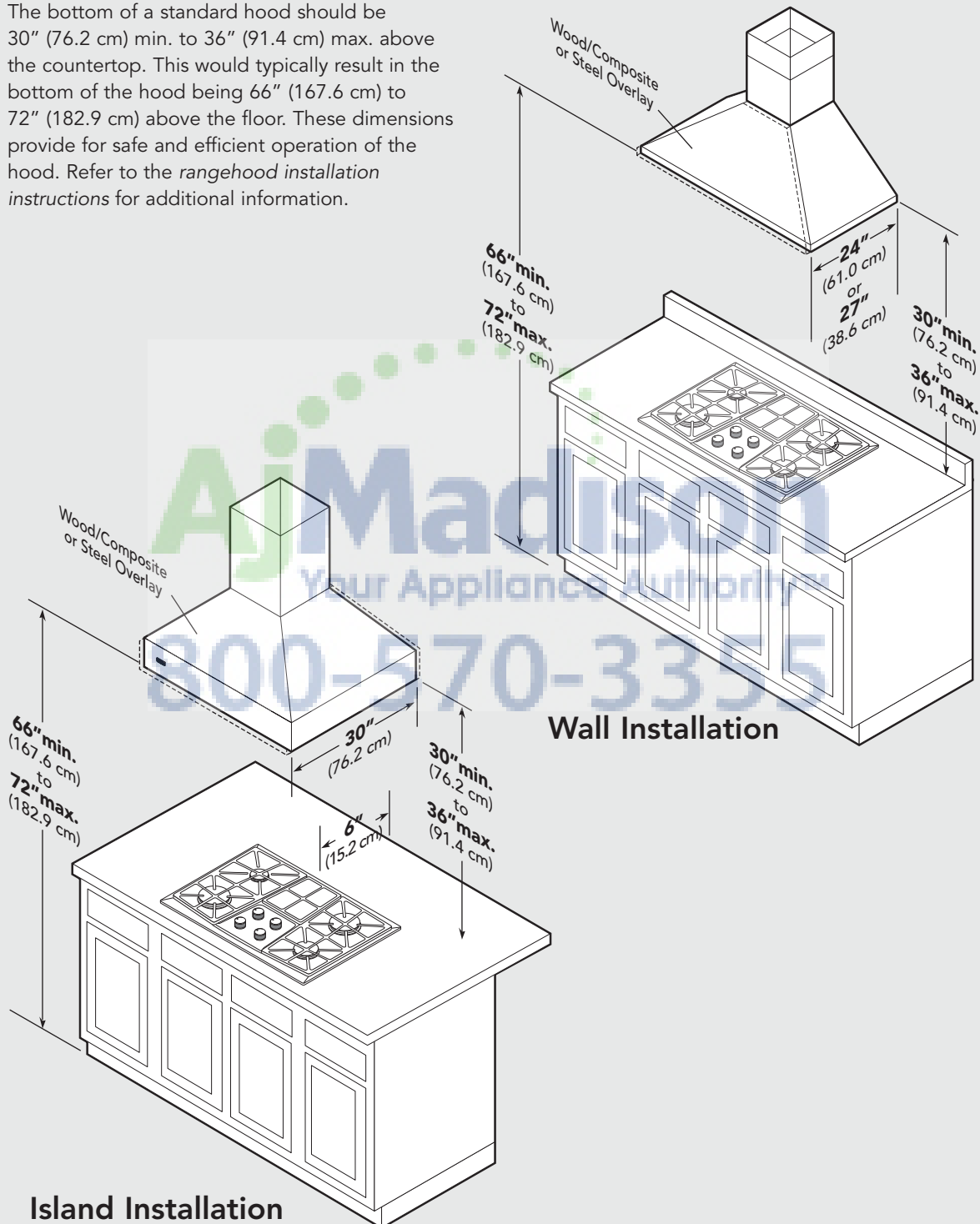
- Wall cabinets directly above the product must be minimum 30" (76.2 cm) above the countertop
- Side 5" (12.7 cm)
- Rear 2-1/2" (6.4 cm) min.
- Within 6" side clearance. Wall cabinets no deeper than 13" (33.0 cm)
- Must be minimum 18" (45.7 cm) above countertop



Note: Dimensions shown are for use with combustible surfaces unless otherwise stated.

Clearance Dimensions (Wood/Composite or Steel Overlay)

The bottom of a standard hood should be 30" (76.2 cm) min. to 36" (91.4 cm) max. above the countertop. This would typically result in the bottom of the hood being 66" (167.6 cm) to 72" (182.9 cm) above the floor. These dimensions provide for safe and efficient operation of the hood. Refer to the *rangehood installation instructions* for additional information.



Electrical & Gas Requirements

Electrical Requirements

There is no connection necessary beyond plugging the unit into a polarized, grounded, 120 volt, 60 Hz, 15 amp circuit. A minimum of 120 VAC is required for proper operation of gas ignition systems. **DO NOT** use a GFI circuit. This circuit, however, **MUST** be grounded and properly polarized. The unit is equipped with 16-3 SPT2 power cord.

Note: *If electrical power is not supplied or is interrupted, the open top burners will have to be lit manually with a match.*

Gas Connection

- The DGVU cooktops are shipped natural gas, and manufactured for use with natural gas or LP/Propane gas. Check the rating plate located on the bottom of the burner box for type of gas needed.
- To convert to natural gas or LP/Propane gas, contact a qualified service technician.
- The installer must use a flexible connector of at least ½" I.D. (1.3 cm) NPT and comply with ANSI Z21.41 and Z21.69 standards.

IMPORTANT: The gas supply (service) line must be the same size or greater than the inlet line of the cooktop. All cooktops use a 1 /2" (1.3 cm) NPT (Sch40) inlet.

- Sealant on all pipe joints must be resistive to LP/Propane gas.

Manual shut-off valve:

- The supplied valve must be installed in the gas service line ahead of the appliance and regulator in the gas stream. It should be positioned where it can be reached quickly in the event of an emergency.

In Massachusetts: A "T" handle type manual gas valve must be installed in gas supply line to the appliance.

Pressure regulator:

- The regulator supplied with the DGVU cooktops must be installed before any gas connections are made. It is pre-set for use with

natural gas. This must be converted to use with LP/Propane gas.

- Manifold pressure should be checked with a manometer. Natural gas requires 5.0" WCP and LP/Propane requires 10.0" WCP. Incoming line pressure upstream for the regulator must be 1" WCP higher than the manifold pressure in order to check the regulator.
- The regulator used on this cooktop can withstand a maximum input pressure of 1/2 PSI (14.0" WCP). If the line pressure is in excess of that amount, a step down regulator will be required.
- The manual shut off valve and pressure regulator on these cooktops must be disconnected from the gas supply piping system during any pressure testing of that system at pressures in excess of 1/2 PSI (3.45kPa.)
- The cooktop must be isolated from the gas supply piping system by closing its individual manual shut-off valve during any pressure testing of the gas supply piping system at test pressures equal to or less than 1/2 PSI (3.45kPa).

IMPORTANT: NEVER refuse old connectors when installing this cooktop.

Rigid Connections:

- Incoming gas is brought from an intake pipe at the rear of the unit to the pressure regulator; then to the manifold pipe for distribution. The intake pipe and shut-off valve are not supplied. The intake pipe and the shut-off valve should be connected to the regulator to complete the connection.

In Massachusetts: This appliance must be installed with a 36" (3-foot) long flexible gas connector.

- The alignment of the valves should be checked after connecting the cooktop to the gas supply to be sure the manifold pipe has not been moved. A misalignment may cause the valve knob stem to rub on the control panel, resulting in a gas leak at the valve.

Electrical & Gas Requirements

Rigid Connections (cont.)

- Installer-supplied intake pipes should be checked visually for any foreign matter before installing in a service line.

⚠ CAUTION

Before placing the cooktop into operation, always check for gas leaks with a soapy water solution or other acceptable method. **DO NOT USE AN OPEN FLAME TO CHECK FOR LEAKS.**

LP/Propane Conversion

The DGVU cooktops are shipped natural gas, and manufactured for use with natural gas or LP/Propane gas. Check the rating plate located on the bottom of the burner box for type of gas needed.

- To convert to natural gas or LP/Propane gas, the orifice spuds and regulator must be physically changed. Gas conversions must be completed by a qualified service technician.
- The installer must use a flexible connector of at least ½" I.D. (1.3 cm) NPT and comply with ANSI Z21.41 and Z21.69 standards.

⚠ WARNING

Conversion must be performed by a qualified installer, service agency, or the gas supplier in accordance with the manufacturer's instructions. Failure to follow instructions could result in serious injury or property damage.

⚠ WARNING

Electrical power and gas must be turned off prior to conversion.

To convert from both natural to LP/Propane and LP/Propane to natural a conversion kit is supplied.

Initial Ignition of Burners

- All cooktops are tested before leaving the factory. Field adjustments may be necessary for proper mixture of gas and air for proper operation. Contact a qualified technician to make any necessary adjustments.
- The surface burners use electric igniters in place of standing pilots.

Proper Lighting and Shutdown Instructions

To ignite electric igniters on the surface burners:


1. Turn the knob counterclockwise to any position.
2. Upon ignition of the surface burner, turn the knob to the desired position (HI, Med or Low).
3. To shutdown the burner, turn knob clockwise to the OFF position.

In case of failure, shut the gas OFF using the installer supplied manual shut-off valve.

General Information

⚠ CAUTION

ELECTRICAL SHOCK HAZARD

 Plug into a 3 prong outlet.
DO NOT remove ground prong.

DO NOT use an adapter.
DO NOT use an extension cord.
Failure to follow these instructions can result in death, fire, or electrical shock.

Electrical Requirement

- A standard 120V/60 Hz, 15 amp circuit, 3-wire ground, 3-prong plug is equipped.
- A minimum of 120 VAC is required for proper operation of gas ignition systems. The circuit must be **MUST** be properly grounded and polarized.

IMPORTANT: It is recommended to have the electrical wiring and installation of your cooktop connected by a qualified electrician.

IMPORTANT: The cooktop must be electrically grounded in accordance with local codes or, in the absence of local codes, with the National Electrical Code, ANSI/NFPA 70 latest edition or Canadian Electrical Code (CSA).

Surface Burners

Initial Ignition of Burners

- All cooktops are tested before leaving the factory. Field adjustments may be necessary for proper mixture of gas and air for proper operation. Contact a qualified technician to make any necessary adjustments.
- The surface burners use electric igniters in place of standing pilots.

To ignite electric igniters on the surface burners:

- Turn the knob counterclockwise to any position.

- Upon ignition of the surface burner, turn the knob to the desired position (HI, Med or Low).
- To shutdown the burner, turn knob clockwise to the OFF position.
- In case of failure, shut the gas OFF using the installer supplied manual shut-off valve.

Site Preparation

Note: It is recommended that a thorough site inspection be conducted prior to unpacking and moving this appliance.

- Confirm available access to adequate power—see *electrical requirements*.
- Be sure that the countertop for this appliance is level and cut according to the cutout requirements and dimensions—see *cutout requirements and dimensions*.
- All wall coverings, countertop and cabinets around the cooktop should withstand heat up to 200°F (90°C).
- Keep appliance free from combustible materials, gasoline, and other flammable vapors.

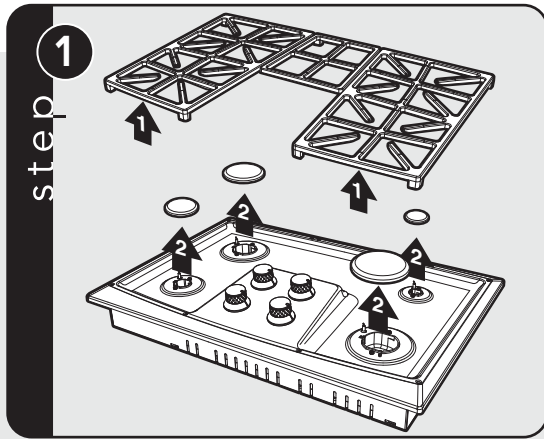
⚠ WARNING

DO NOT use an extension cord with this appliance. Such use may result in fire, electrical shock or other personal injury

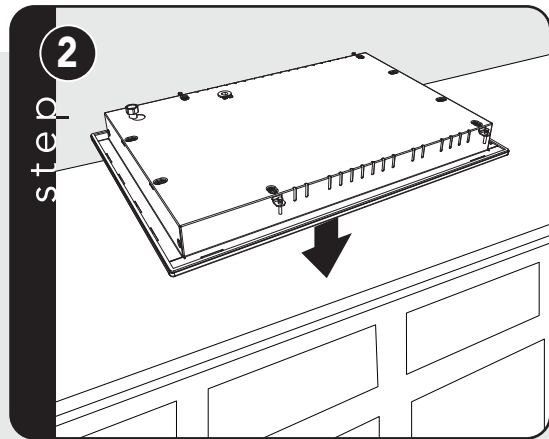
Installation Procedure

Remove packaging materials and literature package from the cooktop before beginning installation. Remove Installation Instructions from literature pack and read them carefully before you begin.

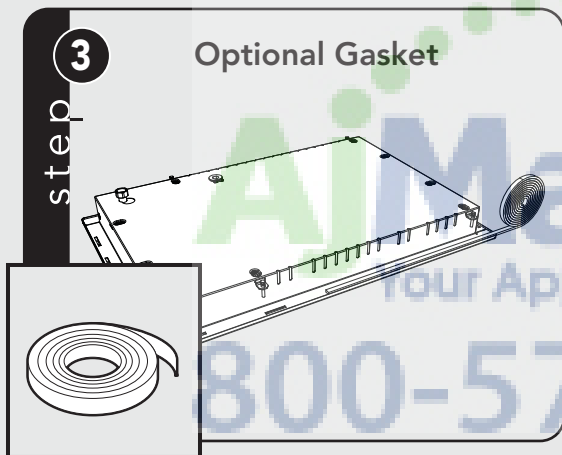
Installation



Remove the grates and burner caps.

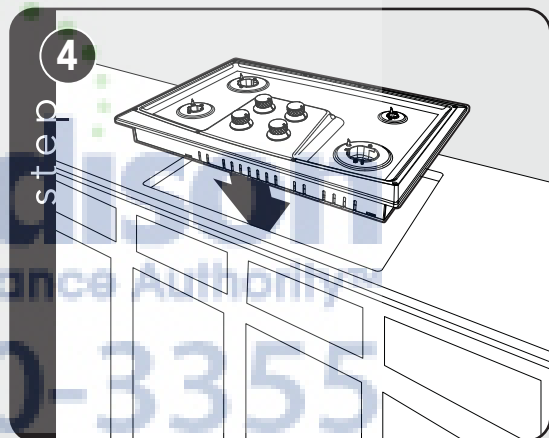


Turn the cooktop upside down and place on the packaged foam top. **Note:** Make sure there are no loose objects on the cooktop before turning upside down.



Peel away the plastic covering and place the gasket material all the way around the burner flange.

IMPORTANT: Make sure the corners are covered completely, leaving no air gaps.

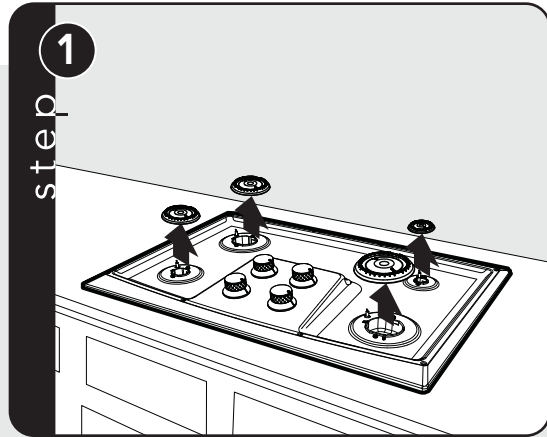


Turn the cooktop over and place into countertop opening.

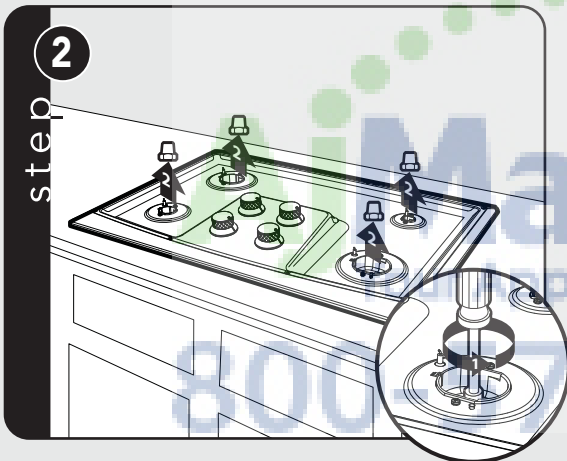
LP Conversion

⚠ WARNING

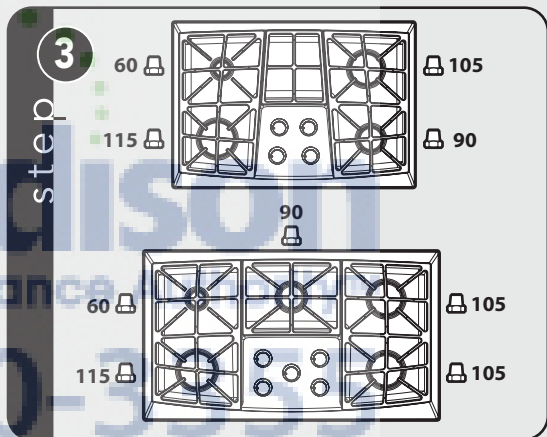
LP conversion should only be performed by a qualified service technician



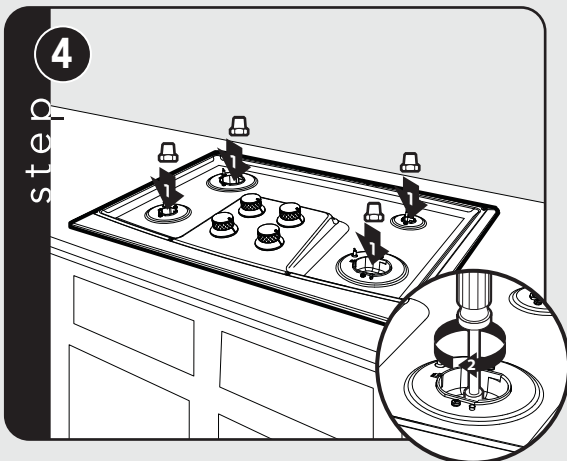
Remove aluminum gas spreaders.



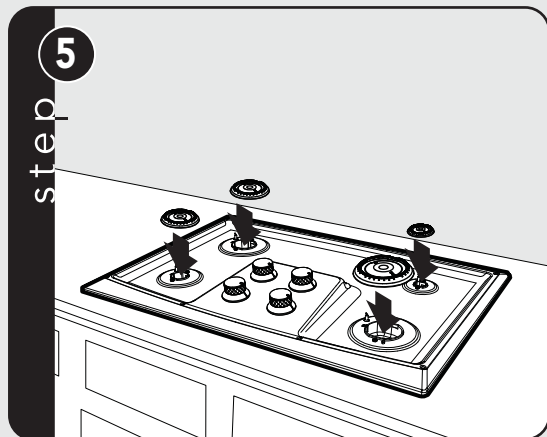
Remove injectors using a 9/32" nut driver.



Reference chart to determine which injectors are needed for each burner.

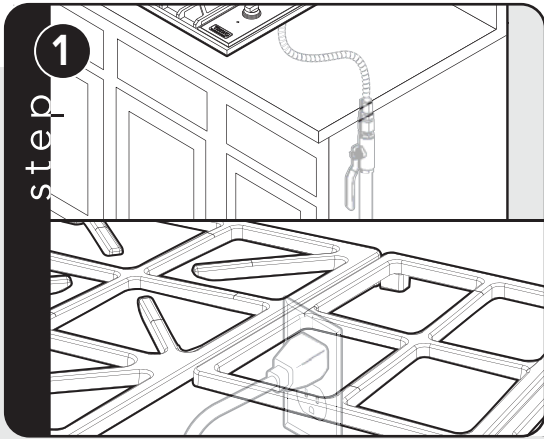


Install and tighten injectors.

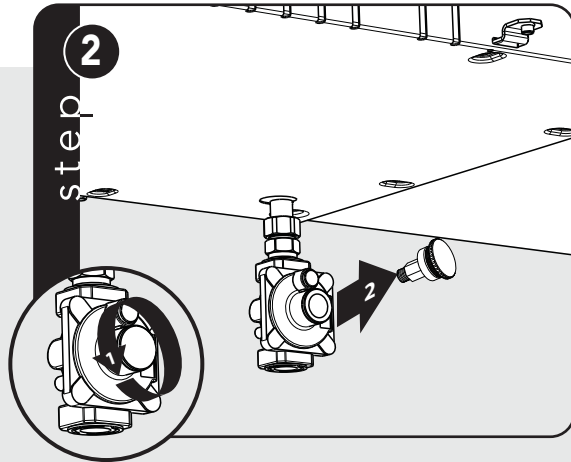


Replace aluminum flame spreaders.

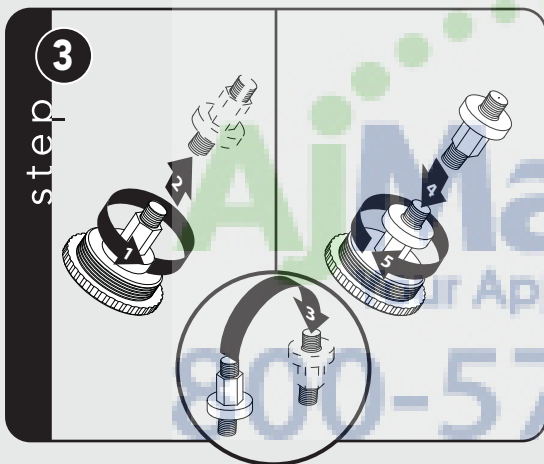
LP Pressure Regulator Conversion



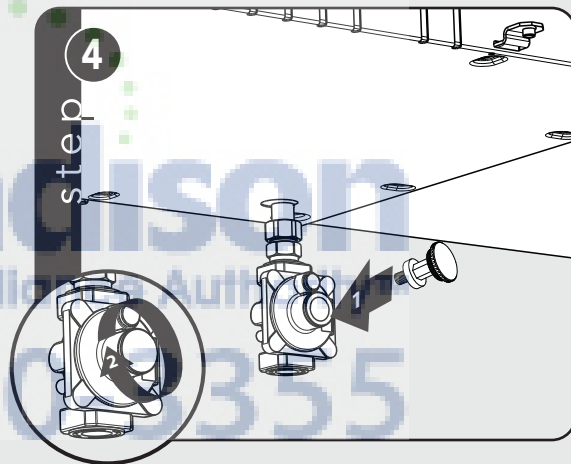
Disconnect electrical power and shut off gas.



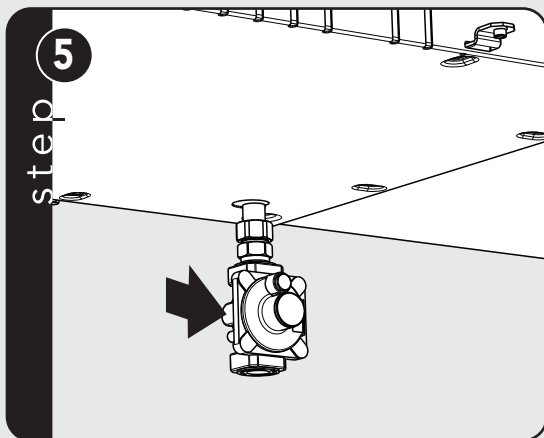
Unscrew regulator cap.



Unscrew the plastic conversion plug from the cap and turn over. Screw plug back into cap with the wide section away from cap.

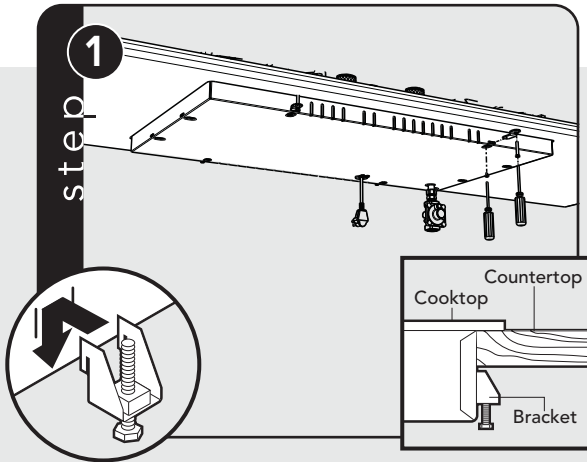
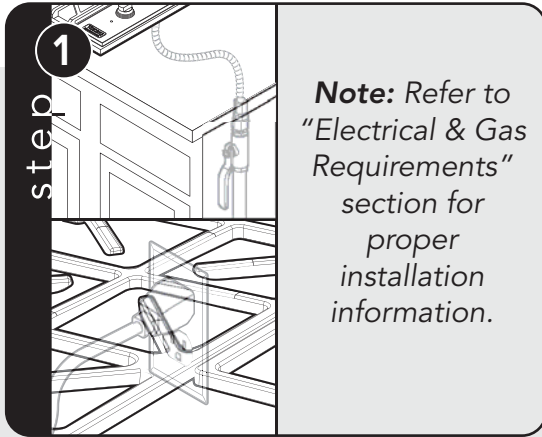


Replace regulator cap.

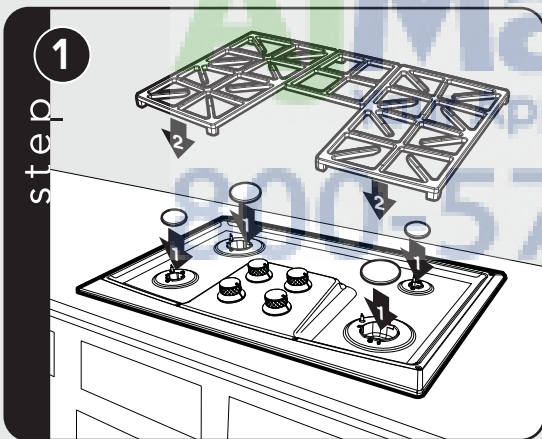


Test gas pressure. When converting the regulator for different settings, the function of the regulator must be checked at a pressure at least 1" WC (249Pa) above the specified manifold pressure.

Gas & Electrical Connection Bracket Installation



Final Installation

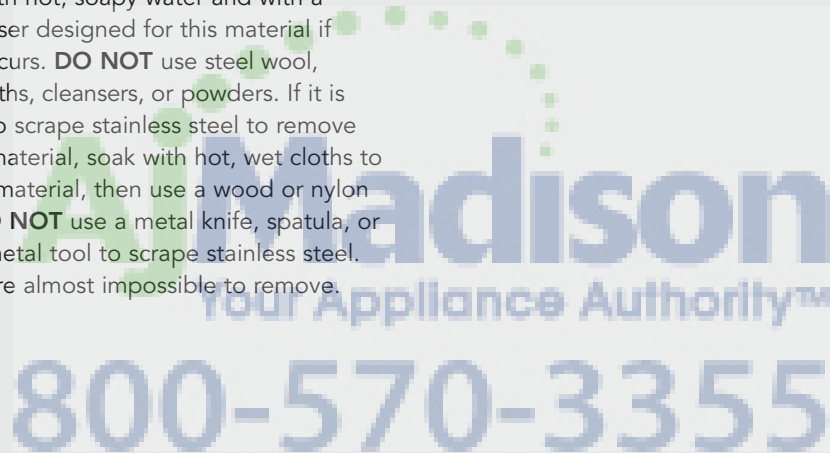


Replace the burner caps and grates.

Note: The narrow edge of grate goes toward center of unit.

Final Preparation

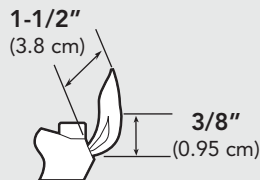
- New units are cleaned at the factory to remove any visible signs of dirt, oil, grease, etc. remaining from the manufacturing process. Some stainless steel parts may have a plastic protective wrapper which must be peeled off. The cooktop should be washed thoroughly with hot, soapy water and then rinsed and wiped dry to remove these film residues and any installation dust or debris before being used for food preparation.
- All stainless steel body parts should be wiped regularly with hot, soapy water and with a liquid cleanser designed for this material if build-up occurs. **DO NOT** use steel wool, abrasive cloths, cleansers, or powders. If it is necessary to scrape stainless steel to remove encrusted material, soak with hot, wet cloths to loosen the material, then use a wood or nylon scraper. **DO NOT** use a metal knife, spatula, or any other metal tool to scrape stainless steel. Scratches are almost impossible to remove.



Performance Checklist

A qualified installer should carry out the following checks:

- Check top burner ignition. The low flame should light at every port.
- Starting with the left front burner, turn the corresponding knob to the HI position—see *drawing for proper flame height*.
- Repeat steps for other burners.



Service & Registration

Only authorized replacement parts may be used in performing service on the appliance. All servicing should be referred to a qualified technician.

Contact Viking Range Corporation, 1-888-VIKING1 (845-4641), for the nearest service parts distributor in your area or write to:

**VIKING RANGE CORPORATION
PREFERRED SERVICE
1803 Hwy 82W
Greenwood, Mississippi 38930 USA**

The serial number and model number for your appliance can be found by looking under the cooktop.

Record the following information indicated below. You will need it if service is ever required.

Model number _____

Serial number _____

Date of purchase _____

Date installed _____

Dealer's name _____

Address _____

**These installation instructions should remain with the unit
for future reference.**



Notes





Viking Range Corporation

111 Front Street

Greenwood, Mississippi 38930 USA

(662) 455-1200

For product information,

call 1-888-VIKING1 (845-4641)

or visit the Viking Web site at

vikingrange.com

