



## Standard Features & Accessories

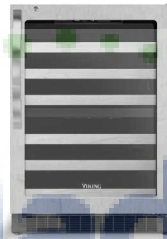
### All models include:

- Hidden touchpad electronic controls with digital temperature readout
  - Inside temperature can be adjusted from 40 – 65°F in each compartment
  - TruProtect™ system signals if door is left open or if temperature is out of set range
  - Sabbath mode disables audible tones, LED display and lights
  - Temperature can be displayed in either Fahrenheit or Celsius
- Capacity—44 bottles
- Six wire shelves cradle bottles horizontally to keep corks moist
  - Shelves are coated to reduce vibration and hold bottles snugly in place
  - Roller rack shelves glide in and out for easy access to stored bottles
  - Shelves can be removed to store magnum or larger bottles
- Ultraviolet-resistant tempered glass and black interior protects wine from harmful light
- Maple wood facings provide additional ultraviolet protection
- Low-intensity lighting displays wine with minimal heat and light output
- Interior light turns on by switch or when door is opened
- Keyed door lock provides protection for stored wines
- Low-E argon-filled glass doors
- Install as undercounter or freestanding unit
- Must be ordered right or left hinge. (As you face unit, RIGHT has hinge on right side and handle on left side; LEFT has hinge on left side and handle on right side.)

## Model Options



**VUWC244**  
Professional



**DFUW244**  
Custom Front

### FINISH DETAILS FOR VUWC MODEL

- Clear and fluted glass doors
  - Stainless Steel (SS)—stainless steel frame around large window door, stainless steel handle with chrome-plated brackets, black exterior cabinet, and black interior.
- Solid door
  - Stainless Steel (SS)
  - Finish codes designate door front. Stainless steel handle with chrome-plated brackets, black exterior cabinet, and black interior.

### FINISH DETAILS FOR DFUW MODEL

- Clear and fluted glass doors
- Handle not included—opt for custom handle, or purchase a Viking Professional Series or Designer Series handle kit (see **Installation Notes & Accessories**).
- Accept 3/4"-thick custom wood frame
- See **Custom Panels** section for more information and additional specifications.

### ORDERING INSTRUCTIONS

First specify model number, then specify door style ("F" for fluted, "C" for clear or "D" for solid) immediately after model number (VUWC244**F**). Next, specify hinge preference ("R" for right or "L" for left), and then color code (VUWC244**FRSS**).



# REFRIGERATION



## Undercounter/Freestanding 24"W. Dual Zone

## Wine Cellar

★ Please see Installation Notes & Accessories for important information, including handle kits.

### Dimensions & Specifications

#### PRODUCT DIMENSIONS

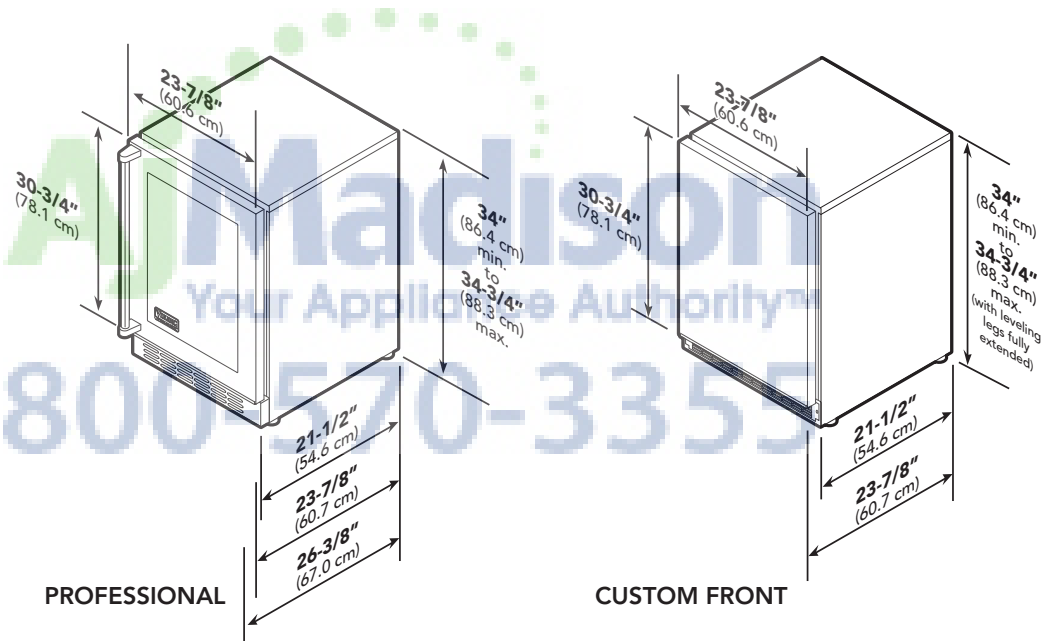


VUWC244 Professional



DFUW244 Custom Front

See Custom Panels section for more information and additional specifications.



	VUWC244	DFUW244
Overall width	23-7/8" (60.6 cm)	
Overall height (from bottom)	34" min. (86.4 cm) to 34-3/4" (88.3 cm) max.	
Overall depth (from rear)	Varies	
To front of handle	26-3/8" (67.0 cm)	
With door open	46-1/2" (118.1 cm)	
Approx. ship. weight	180 lbs. (81.0 kg)	





# REFRIGERATION

## Undercounter/Freestanding 24"W. Dual Zone Wine Cellar



### Dimensions & Specifications

#### DOOR SWING

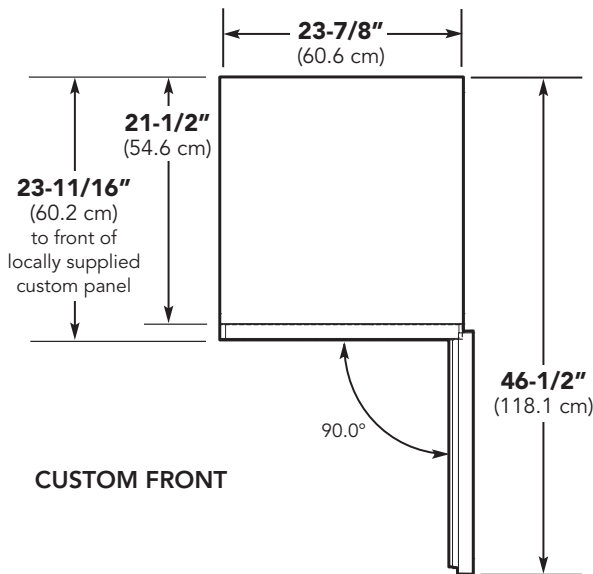
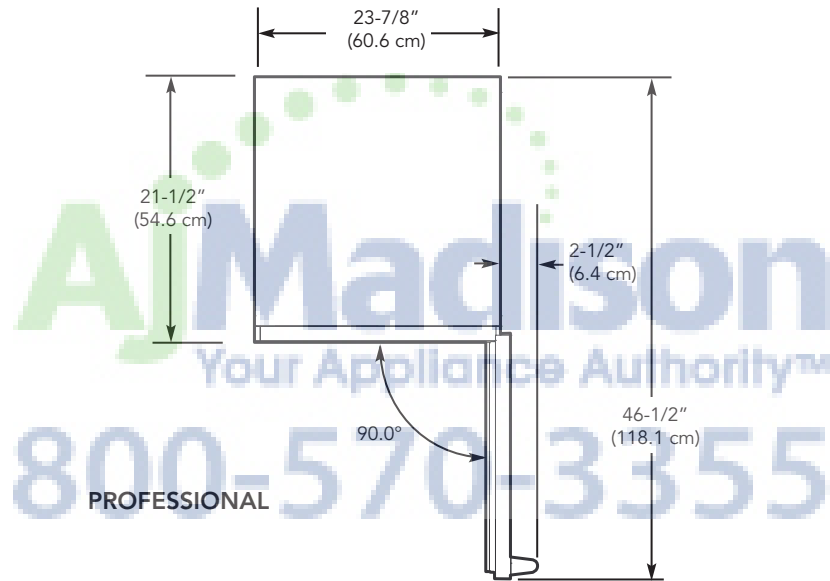


**VUWC244**  
Professional



**DFUW244**  
Custom Front

See Custom Panels section for more information and additional specifications.




**UTILITY REQUIREMENTS**


**GAS**  
Not applicable



**ELECTRICAL**

- Three-wire cord with grounded three-prong plug attached to product
- 115 VAC/60 Hz; 15 amp dedicated circuit
- Maximum amp usage—3.3



**PLUMBING**  
Not applicable

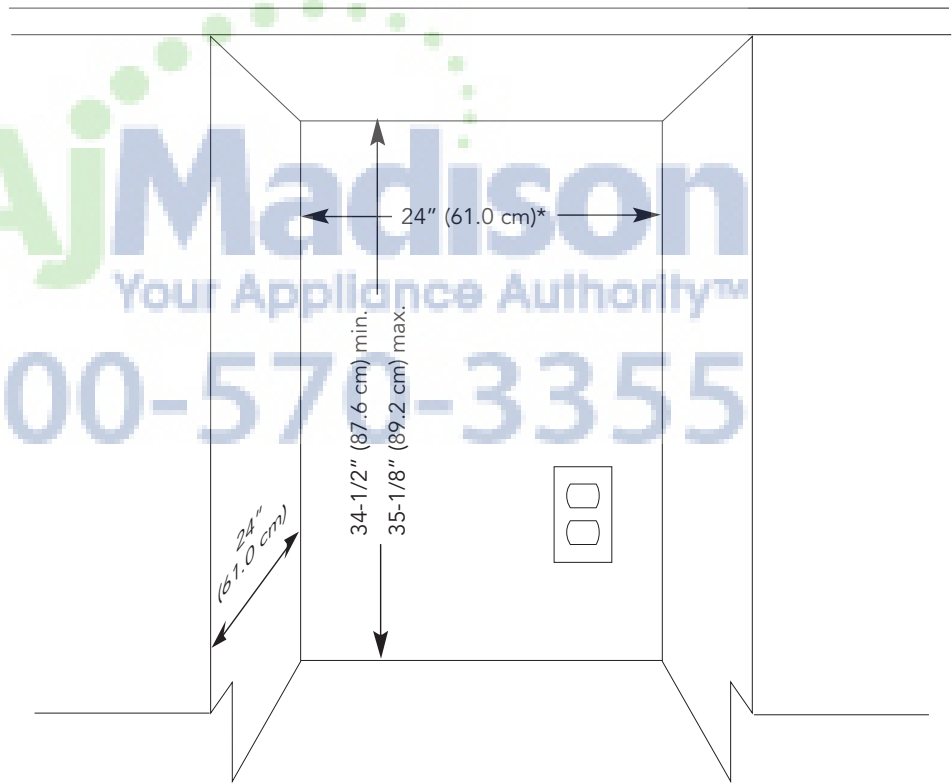
**Installation Requirements**
**ACCESS REQUIREMENTS**


**VUWC244**  
Professional



**DFUW244**  
Custom Front

See **Custom Panels** section for more information and additional specifications.



\*24" (61.0 cm) width for cabinet only. If door is recessed between cabinets, cabinet cutout must be 24-1/4" (61.6 cm).

All models	
Cutout width	24" (61.0 cm)*
Cutout height	34-1/2" (87.6 cm) min. to 35-1/8" (89.2 cm) max.
Cutout depth	24" (61.0 cm)



**REFRIGERATION**  
**Undercounter/Freestanding 24"W. Dual Zone**  
**Wine Cellar**



## ★ Installation Notes & Accessories

### Handle Kits

- For use with custom front 24"W. wine cellar
- For use on locally supplied custom front panels
- Handles allow custom front products to coordinate with other Professional & Designer products
- Kit includes one handle and installation hardware

Model	Description	Approx. ship wt. lbs. (kg)
PHK30-SS	Professional handle (Stainless Steel)	6 (2.7)
PHK30-BR	Professional handle (Brass)	6 (2.7)
DHK18-SS	Designer handle (Stainless Steel)	5 (2.3)
DHK18-BR	Designer handle (Brass)	5 (2.3)

### Brass Handle Kit

- For use with Professional 24"W. wine cellar

Model	Description	Approx. ship wt. lb. (kg)
PURHK30-BR	Professional brass handle kit and logo for VUWC	6 (2.7)



### Compliance Information



### WARRANTY SUMMARY\*

- Two-year full warranty—complete unit
- Six-year full warranty—sealed refrigeration system (includes compressor, condenser, dryer/strainer, evaporator, and connecting tubing)
- Twelve-year limited warranty—sealed refrigeration system
- Ninety-day limited warranty—cosmetic parts such as glass, painted, and decorative items

\*For complete warranty see *Use & Care Guide*. Warranty valid on Viking products shipped within the United States and Canada.

