



OUTDOOR—REFRIGERATION

Portable (Freestanding)/Undercounter 24"W. Beverage Dispenser



Standard Features & Accessories

Both models include

- Available built-in or as portable model
- Spacious interior is capable of holding up to 1/2 barrel—15.5 gal. (58.7 lit.)
- Includes easy-to-clean-and-use stainless steel dispensing tower
- Tower tap handle is threaded so custom handles can be installed
- VRBD portable model is easily moved by four heavy-duty casters; two are capable of being locked
- Packaged with unit – filled 5 lb. (2.3 kg) CO2 cylinder, keg coupler, air line with clamps, and single-gauge regulator
- Agency-certified for outdoor use
 - Stainless steel exterior cabinet surrounds unit and forms a water-resistant seal
 - Insulated electrical terminals, sealed electrical contacts, and a water-resistant thermostat provide optimal performance in all weather elements
- Normal operating range is between 45° and 100° F (7.2° and 37.7° C)
- Factory-set for the ideal beverage storage temperature – 38° F (3.3° C)
- Temperature-adjustable from 35° – 54° F (2° – 12° C)

Model Options



VRBD1431T
24"W. Portable Beverage
Dispenser

VUBD1401T
24"W. Undercounter Beverage
Dispenser

FINISH DETAILS FOR ALL MODELS

- Stainless Steel (SS)

ORDERING INSTRUCTIONS

First specify model number, followed by hinge preference ("R" for right or "L" for left)—(VRBD1431TRSS).





OUTDOOR—REFRIGERATION

Portable (Freestanding)/Undercounter 24"W. Beverage Dispenser



★ Please see
Installation Notes &
Accessories
for important
information,
including lock and
cleaning supplies.

Dimensions & Specifications

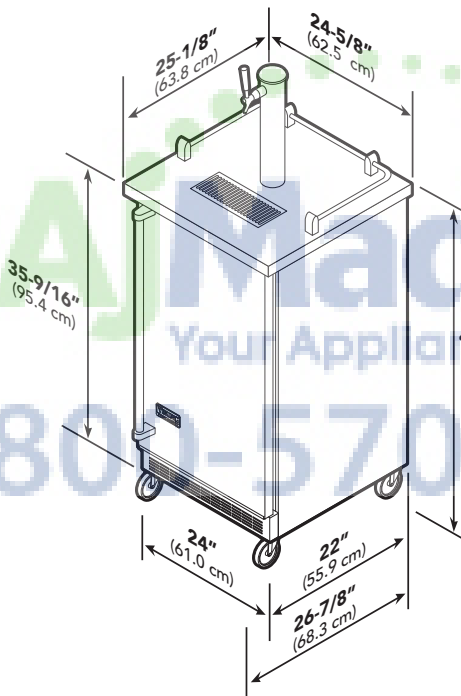
PRODUCT DIMENSIONS



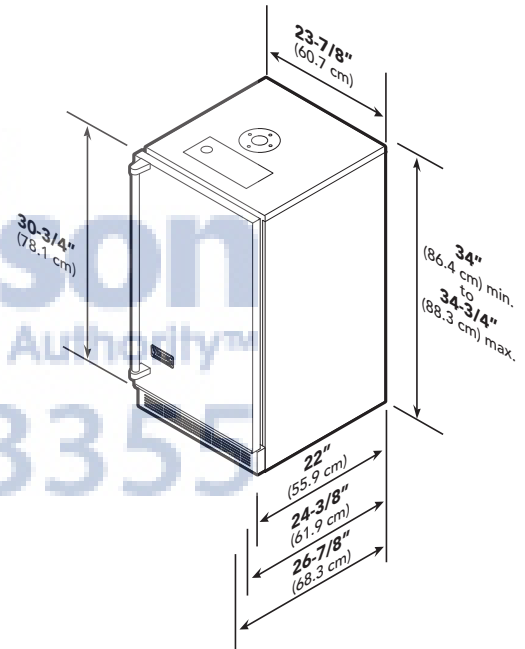
VRBD1431T



VUBD1401T



VRBD1431T



VUBD1401T

	VRBD1431T	VUBD1401T
Overall width (cabinet)	24" (61.0 cm)	23-7/8" (60.7 cm)
Across top lip	24-5/8" (62.5 cm)	N/A
Overall height		
From bottom of wheels to		
Top of rail	41-25/32" (106.2 cm)	N/A
Top of tower	53-11/16" (136.4 cm)	N/A
Leveling legs fully extended	N/A	34-3/4" (88.3 cm) max.
Overall depth (from rear)		
To front of handle	26-7/8" (68.3 cm)	
With door fully open	47-1/4" (120.0 cm)	
Approx. ship weight	177 lbs. (80.3 kg)	140 lbs. (63.5 kg)





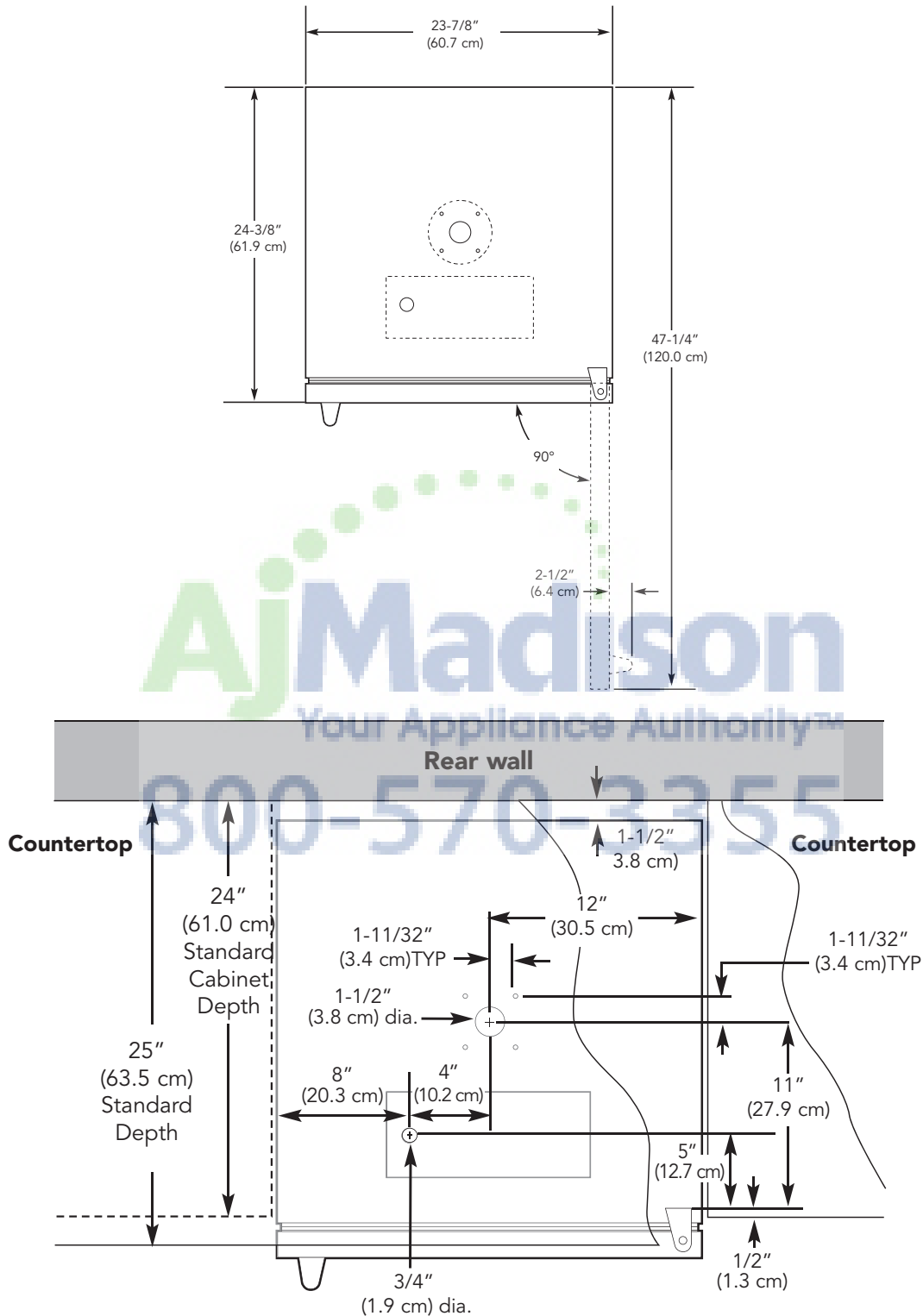
OUTDOOR—REFRIGERATION

Portable (Freestanding)/Undercounter 24"W. Beverage Dispenser



Dimensions & Specifications

DOOR SWING & CLEARANCE



Note: If removing the casters is necessary for installation, the unit should be raised off the ground using an approved material (consult local building codes).





OUTDOOR—REFRIGERATION

Portable (Freestanding)/Undercounter 24"W. Beverage Dispenser



UTILITY REQUIREMENTS



GAS
Not applicable



ELECTRICAL

- 8', 2-wire cord with grounded, 3-prong plug attached to product
- 115 VAC/60 Hz; 15-amp dedicated circuit
- Max. amp usage—3.3



PLUMBING

- Not applicable

Installation Requirements

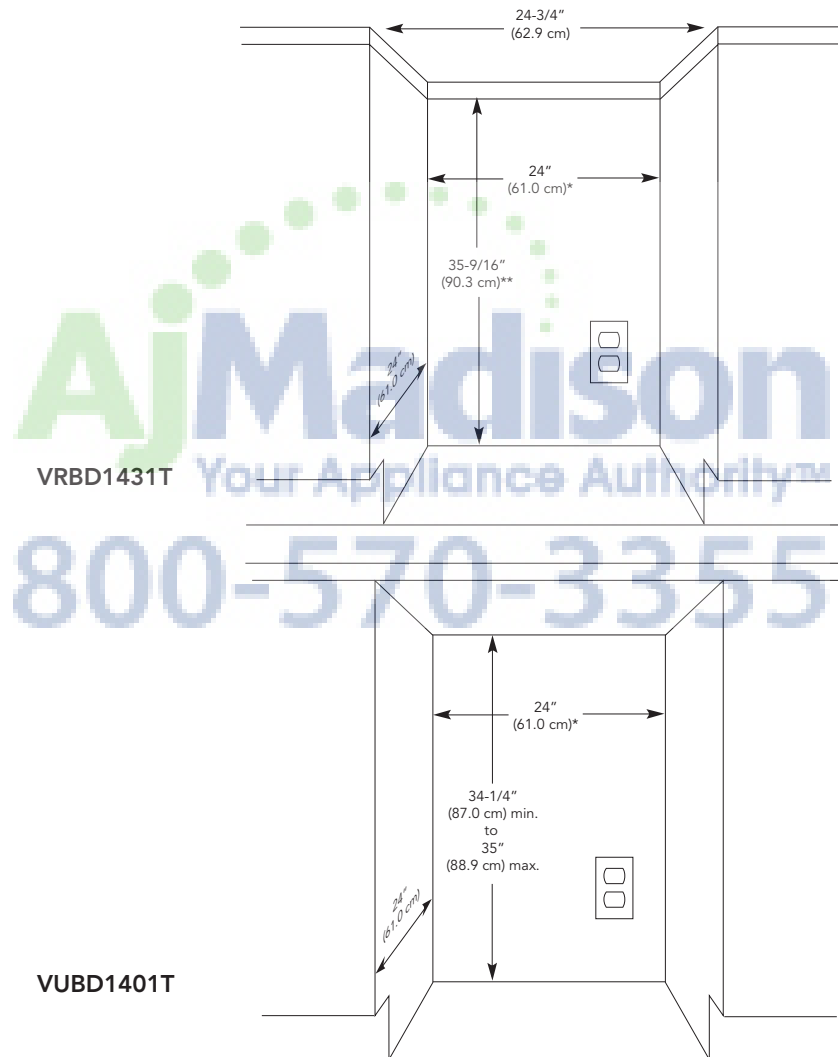
ACCESS REQUIREMENTS



VRBD1431T



VUBD1401T



*24" (61.0 cm) width for cabinet only; if door is recessed between cabinets, cutout must be 24-1/4" (61.6 cm) (for cabinet and door width clearance).

**35-9/16" (90.3 cm) is without casters mounted to unit; 39-3/4" (101.0 cm) is needed for height clearance with casters.

	VRBD1431T	VUBD1401T
Cutout width (lower)	24" (61.0 cm)*	
Upper	24 3/4" (62.9 cm)	N/A
Cutout height	35-9/16" (90.3 cm)**	34-1/4" (87.0 cm) min. to 35" (88.9 cm) max.
Cutout depth	24" (61.0 cm) min.	





OUTDOOR—REFRIGERATION

Portable (Freestanding)/Undercounter 24"W. Beverage Dispenser



★ Installation Notes & Accessories

Cleaning Kit

- For cleaning faucet and beverage lines
- Kit includes
 - 1 qt. (0.95 lit.) cleaning solution
 - Tap/line cleaner
 - Faucet wrench
 - Faucet brush

Model	Description	Approx. ship wt. lbs. (kg)
BDCK	Beverage dispenser cleaning kit	1 (0.5)

Cleaning Solution Refill

- Refills cleaning kit dispenser
- 4 oz. bottle

Model	Description	Approx. ship wt. lbs. (kg)
BD4OZ	Beverage dispenser cleaning solution	.31 (0.1)

Faucet Lock

- Keyed entry

Model	Description	Approx. ship wt. lbs. (kg)
BDFLK	Beverage dispenser faucet lock	0.5 (0.3)



Compliance Information



WARRANTY SUMMARY*

- One-year full warranty—complete unit (w/in-home repairs)
- Five-year limited warranty—sealed refrigeration system (includes compressor, condenser, dryer/strainer, evaporator, and connecting tubing)
- Ninety-day limited warranty—cosmetic parts such as glass, painted items, and decorative items

*For complete warranty see *Use & Care Guide*. Warranty valid on Viking products shipped within the United States and Canada.

