

CUSTOM PANEL-REFRIGERATION

Built-In 36"W. Bottom-Mount Refrigerator/Freezer—DFBB536

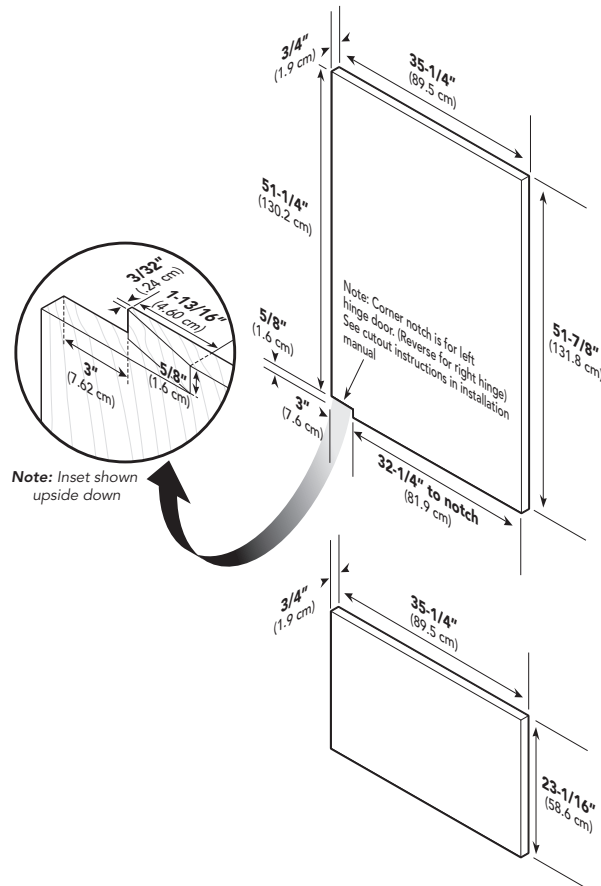


Dimensions & Specifications

CUSTOM PANEL DIMENSIONS



DFBB536



Note: Panel overlays must be dry, solid, straight one piece panels. The use of multiple panel pieces to achieve the dimensions is not recommended.

DFBB536	
Overall panel width	35-1/4" (89.5 cm)
Overall panel height	
Refrigerator front	51-7/8" (131.8 cm)
Freezer front	23-1/16" (58.6 cm)
Overall panel depth	3/4" (1.9 cm)*
Maximum panel weight	
Refrigerator front	45 lbs. (20.4 kg)
Freezer front	20 lbs. (9.0 kg)

*Panel thickness must not exceed 1" (2.5 cm) on hinge side. Thicker panels will interfere with door swing and clearance.



CUSTOM PANEL-REFRIGERATION

Built-In 36"W. Bottom-Mount Refrigerator/Freezer—DFBB536

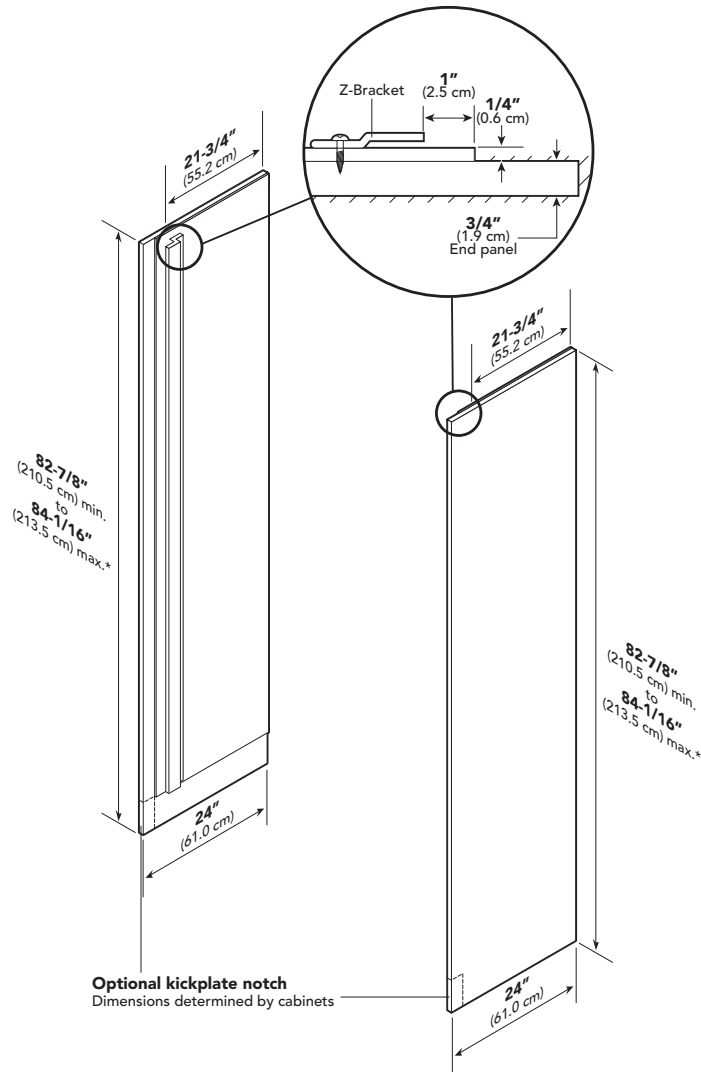


Dimensions & Specifications

CUSTOM SIDE PANEL DIMENSIONS



DFBB536



Note: Adding a 3/4" (1.9 cm) side panel adds an additional 3/4" (1.9 cm) to the overall width of the product for each side panel. Requires side panel hardware kit (Kit model number – SPHKDS)

DFBB536	
Overall panel width	3/4" (1.9 cm)
Overall panel height	82-7/8" (210.5 cm) min. to 84-1/16" (213.5 cm) max.*
Overall panel depth	24" (61.0 cm)

*Depending on how high leveling feet are raised and cabinet enclosure height.



CUSTOM PANEL-REFRIGERATION

Built-In 36"W. Bottom-Mount Refrigerator/Freezer—DFBB536

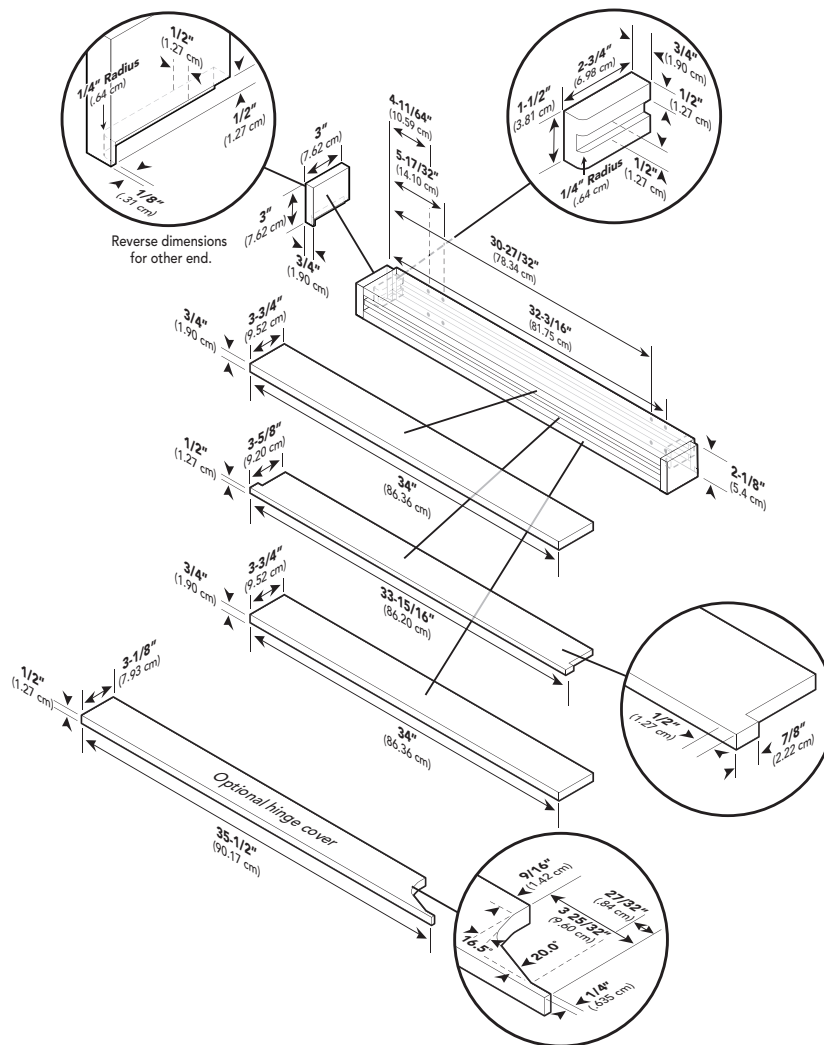


Dimensions & Specifications

CUSTOM GRILLE DIMENSIONS



DFBB536



DFBB536

Overall grille width	35-1/2" (90.1 cm)
Overall grille height	3" (7.6 cm)
Overall grille depth	3-3/4" (9.5 cm)



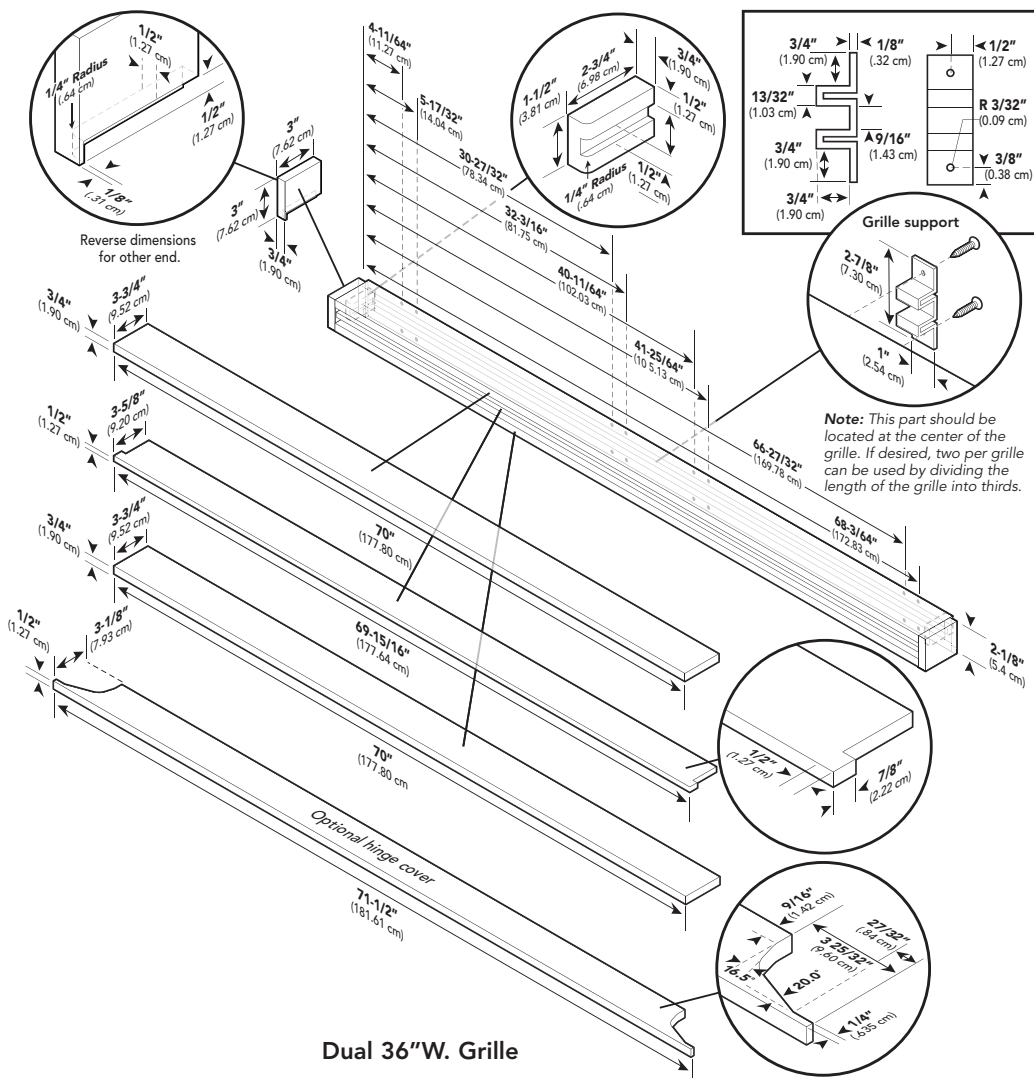


Dimensions & Specifications

CUSTOM GRILLE DIMENSIONS – DUAL BOTTOM-MOUNT INSTALLATION



DFBB536



Note: Dual units can only be made in a left and right hand configuration. To use a custom 72"W. grille, you must purchase the center trim kit FCTKSS.

DFBB536/DFBB536	
Overall grille width	71-1/2" (181.6 cm)
Overall grille height	3" (7.6 cm)
Overall grille depth	3-3/4" (9.5 cm)

