

Viking Installation Guide



Viking Range Corporation

111 Front Street

Greenwood, Mississippi 38930 USA

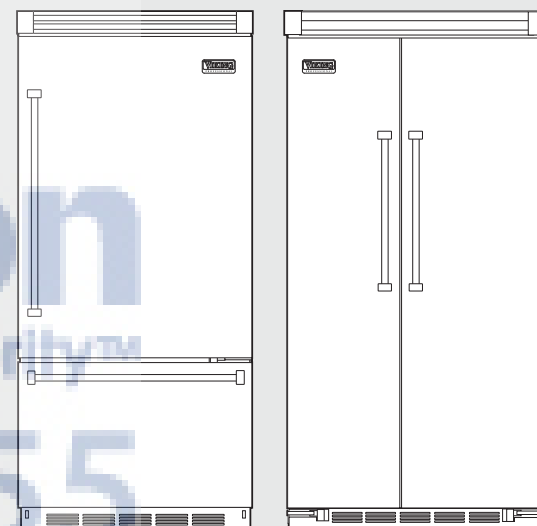
(662) 455-1200

For product information,

call 1-888-VIKING1 (845-4641)

or visit the Viking Web site at

vikingrange.com



Side-By-Side &
Bottom-Mount Refrigerator/Freezer



Table of Contents

Warnings & Important Information	3
Professional & Professional Integrated Side-by-Side	
Dimensions & Specifications (Professional 42" & 48")	6
Dimensions & Specifications (Professional Integrated 42" & 48")	8
Cutout Dimensions (42")	10
Anti-Tip Dimensions (42")	11
Cutout Dimensions (48")	12
Anti-Tip Dimensions (48")	13
Professional & Professional Integrated Bottom-Mount	
Dimensions & Specifications (36")	14
Cutout Dimensions (36")	16
Anti-Tip Dimensions (36")	17
Cabinet Information (Professional)	18
Cabinet Information (Professional Integrated)	20
Designer Side-by-Side	
Dimensions & Specifications (42" & 48")	22
Cutout Dimensions (42")	24
Anti-Tip Dimensions (42")	25
Cutout Dimensions (48")	26
Anti-Tip Dimensions (48")	27
Designer Bottom-Mount	
Dimensions & Specifications (36")	28
Cutout Dimensions (36")	30
Anti-Tip Dimensions (36")	31
Cabinet Information (Designer)	32
Custom Side Panel Dimensions (Professional)	34
Custom Side Panel Dimensions (Designer & Professional Integrated)	35
General Information	36
Unpacking & Moving	38
Installation	39
Hinge Adjustment	40
Kickplate Installation	42
Door Stop Adjustment	43
Water Filter Installation	44
System Specifications and Data	45
Final Installation	46
Performance Checklist	47
Control Panels	48
Service & Registration	49

IMPORTANT—Please Read and Follow!

- Make sure that incoming voltage is the same as unit rating. An electric rating plate specifying voltage, frequency, wattage, amperage, and phase is attached to the product.
- To reduce the risk of fire, electric shock, or injury to persons, installation work and electrical wiring must be done by qualified people in accordance with all applicable codes and standards, including fire-rated construction.
- The installer should leave these instructions with the consumer who should retain them for local inspector's use and for future reference.

Your safety and the safety of others is very important.

We have provided many important safety messages in this manual and on your appliance. Always read and obey all safety messages.

 This is the safety alert symbol. This symbol alerts you to hazards that can kill or hurt you and others.

All safety messages will be preceded by the safety alert symbol and the word "DANGER" or "WARNING." These words mean:

DANGER

You will be killed or seriously injured if you don't follow instructions.

WARNING

You can be killed or seriously injured if you don't follow instructions.

All safety messages will identify the hazard, tell you how to reduce the chance of injury, and tell you what can happen if the instructions are not followed.

IMPORTANT—Please Read and Follow!

A GFI shall be used if required by NFPA-70 (National Electric Code), federal/state/local laws, or local ordinances.

- The required use of a GFI is normally related to the location of a receptacle with respect to any significant sources of water or moisture.
- Viking Range Corporation will NOT warranty any problems resulting from GFI outlets which are not installed properly or do not meet the requirements below.

If the use of a GFI is required, it should be:

- Of the receptacle type (breaker type or portable type NOT recommended)
- Used with permanent wiring only (temporary or portable wiring NOT recommended)
- On a dedicated circuit (no other receptacles, switches or loads in the circuit)
- Connected to a standard breaker of appropriate size (GFI breaker of the same size NOT recommended)
- Rated for Class A (5 mA +/- 1 mA trip current) as per UL 943 standard)
- In good condition and free from any loose-fitting gaskets (if applicable in outdoor situations)
- Protected from moisture (water, steam, high humidity) as much as reasonably possible

IMPORTANT—Please Read and Follow!

It is your responsibility to:

- comply with installation specifications and dimensions.
- properly install unit.
- remove any moldings or decorative panels that prevent the unit from being serviced.
- make sure that you have these materials (not provided with your unit), which are necessary for proper installation:
 - 1/4" (6 mm) copper tubing with shutoff valve
 - 6- #8 x 3" (7.6 cm) wood screws (longer screws may be required)
 - 1- Saddle valve (do not use self-piercing feature of the valve)
- assure that floor will support unit, door panels and contents (approximately 1200 pounds [540 kg]).
- provide a properly grounded electrical outlet.
- assure that location will permit appliance doors to open 90° minimum.

⚠ WARNING

ELECTRICAL SHOCK HAZARD

Disconnect power or turn power disconnect switch to OFF position before removing top grille. Failure to do so can result in death or electrical shock.



⚠ WARNING

TIP OVER HAZARD

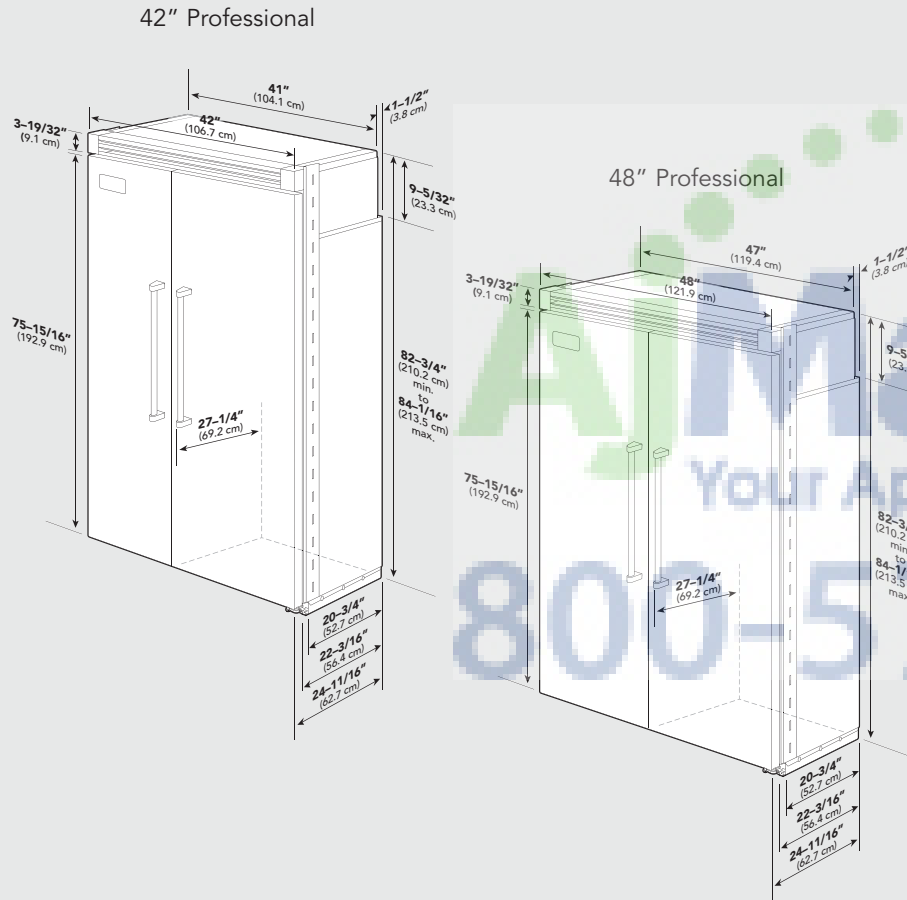
Appliance is top heavy and tips easily when not completely installed. Keep doors closed until appliance is completely installed and secured per installation instructions.



Use two or more people to move and install appliance. Failure to do so can result in death or serious injury.

Most of the unit's weight is at the top. Extra care is needed when moving the unit to prevent tipping. Use cardboard shipping material or plywood under unit until it is installed in the operating position to protect floor surface.

Dimensions (Professional Side-By-Side)



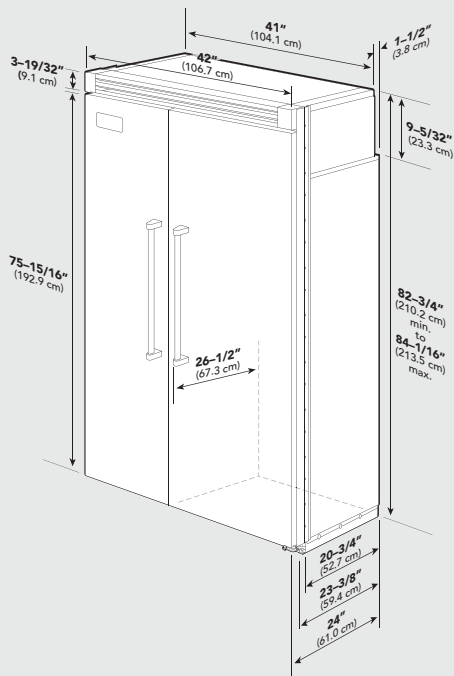
Specifications (Professional Side-By-Side)

42" Professional Side-By-Side		
Description	VCSB542	VCSB542D
Overall width	42" (106.7 cm)	
Overall height from bottom	82-3/4" (210.2 cm) min. to 84-1/16" (213.5 cm) max.	
Overall depth from rear	To front edge of side trim: 22-3/16" (56.4 cm) To front of top grille: 24-11/16" (62.7 cm) To front of handle endcap: 27-1/4" (69.2 cm)	
Cutout width	41-1/2" (105.4 cm) min. to 41-3/4" (106 cm) max.	
Cutout height	82-7/8" (210.5 cm) min. to 84-1/16" (213.5 cm) max.	
Cutout depth	24" (61.0 cm) min.	
Electrical requirements	115 volt, 60 Hz, 15 amp dedicated circuit; 3-wire cord with grounded 3-prong plug attached to product	
Maximum amp usage	9.9 amps	
Inlet water Requirements	1/4" copper tubing inlet waterline; minimum 20 psi; maximum 120 psi	1/4" copper tubing inlet waterline; minimum 35 psi; maximum 120 psi
Overall interior dimensions		
Refrigerator	15.0 cu. ft. (425 liters)	15.0 cu. ft. (425 liters)
Freezer	9.0 cu. ft. (255 liters)	8.6 cu. ft. (243 liters)
Total capacity	24.0 cu. ft. (680 liters)	23.6 cu. ft. (668 liters)
Approximate shipping weight	652 lbs. (293.4 kg)	676 lbs. (304.2 kg)

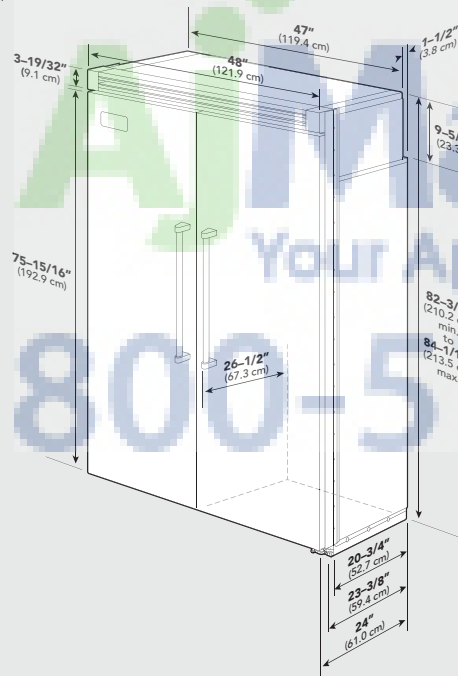
48" Professional Side-By-Side		
Description	VCSB548	VCSB548D
Overall width	48" (121.9 cm)	
Overall height from bottom	82-3/4" (210.2 cm) min. to 84-1/16" (213.5 cm) max.	
Overall depth from rear	To front edge of side trim: 22-3/16" (56.4 cm) To front of top grille: 24-11/16" (62.7 cm) To front of handle endcap: 27-1/4" (69.2 cm)	
Cutout width	47-1/2" (120.7 cm) min. to 47-3/4" (121.3 cm) max.	
Cutout height	82-7/8" (210.5 cm) min. to 84-1/16" (213.5 cm) max.	
Cutout depth	24" (61.0 cm) min.	
Electrical requirements	115 volt, 60 Hz, 15 amp dedicated circuit; 3-wire cord with grounded 3-prong plug attached to product	
Maximum amp usage	9.9 amps	
Inlet water Requirements	1/4" copper tubing inlet waterline; minimum 20 psi; maximum 120 psi	1/4" copper tubing inlet waterline; minimum 35 psi; maximum 120 psi
Overall interior dimensions		
Refrigerator	18.5 cu. ft. (524 liters)	18.5 cu. ft. (524 liters)
Freezer	8.9 cu. ft. (252 liters)	8.6 cu. ft. (243 liters)
Total capacity	27.4 cu. ft. (776 liters)	27.1 cu. ft. (767 liters)
Approximate shipping weight	715 lbs. (321.8 kg)	735 lbs. (330.8 kg)

Dimensions (Professional Side-By-Side)

42" Professional Integrated



48" Professional Integrated



Specifications (Professional Side-By-Side)

42" Professional Integrated Side-By-Side

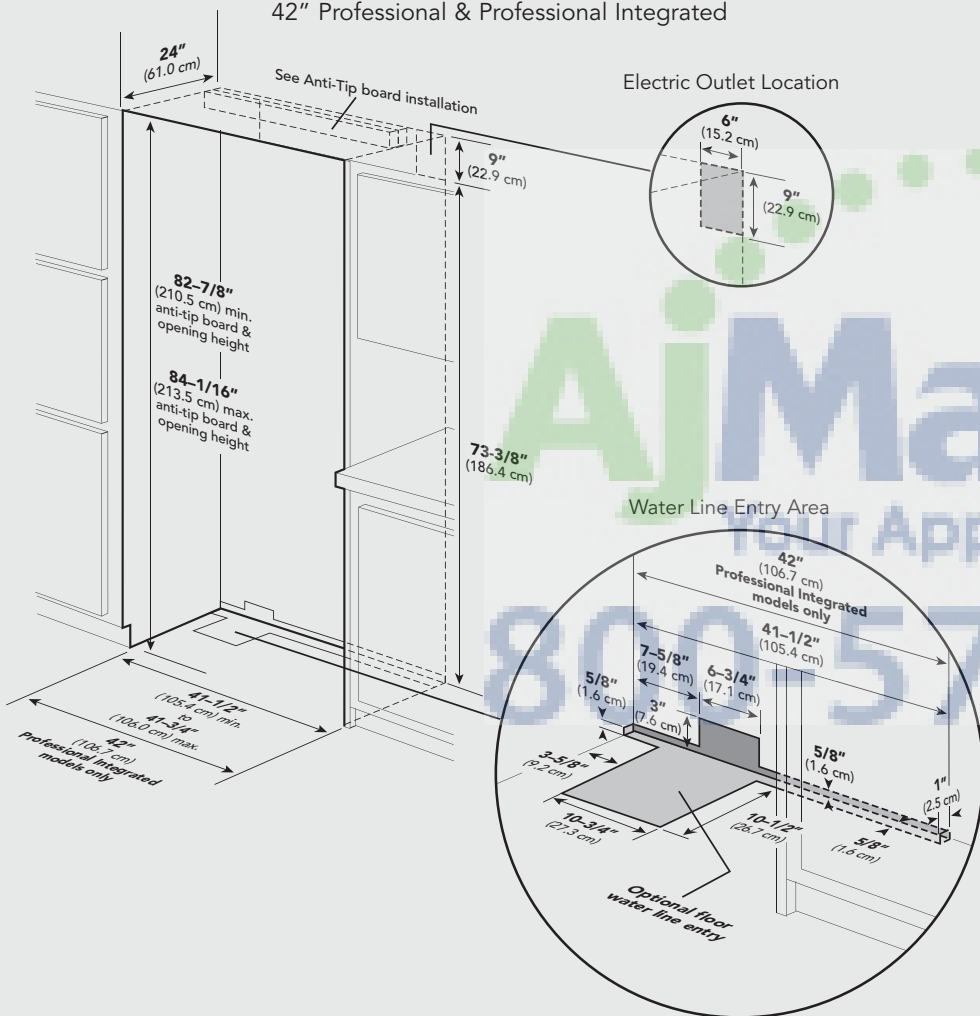
Description	VISB542	VISB542D
Overall width	42" (106.7 cm)	
Overall height from bottom	82-3/4" (210.2 cm) min. to 84-1/16" (213.5 cm) max.	
Overall depth from rear	To front edge of side trim:	23-3/8" (59.4 cm)
	To front of top grille:	24" (61.0 cm)
	To front of handle endcap:	26-1/2" (67.3 cm)
Cutout width	42" (106.7 cm)	
Cutout height	82-7/8" (210.5 cm) min. to 84-1/16" (213.5 cm) max.	
Cutout depth	24" (61.0 cm) min.	
Electrical requirements	115 volt, 60 Hz, 15 amp dedicated circuit; 3-wire cord with grounded 3-prong plug attached to product	
Maximum amp usage	9.9 amps	
Inlet water requirements	1/4" copper tubing inlet waterline; minimum 20 psi; maximum 120 psi	1/4" copper tubing inlet waterline; minimum 35 psi; maximum 120 psi
Overall interior dimensions		
Refrigerator	15.0 cu. ft. (425 liters)	15.0 cu. ft. (411 liters)
Freezer	9.0 cu. ft. (255 liters)	8.6 cu. ft. (244 liters)
Total capacity	24.0 cu. ft. (680 liters)	23.6 cu. ft. (668 liters)
Approximate shipping weight	625 lbs. (293.4 kg)	676 lbs. (304.2 kg)

48" Professional Integrated Side-By-Side

Description	VISB548	VISB548D
Overall width	48" (121.9 cm)	
Overall height from bottom	82-3/4" (210.2 cm) min. to 84-1/16" (213.5 cm) max.	
Overall depth from rear	To front edge of side trim:	23-3/8" (59.4 cm)
	To front of top grille:	24" (61.0 cm)
	To front of handle endcap:	26-1/2" (67.3 cm)
Cutout width	48" (121.9 cm)	
Cutout height	82-7/8" (210.5 cm) min. to 84-1/16" (213.5 cm) max.	
Cutout depth	24" (61.0 cm) min.	
Electrical requirements	115 volt, 60 Hz, 15 amp dedicated circuit; 3-wire cord with grounded 3-prong plug attached to product	
Maximum amp usage	9.9 amps	
Inlet water requirements	1/4" copper tubing inlet waterline; minimum 20 psi; maximum 120 psi	1/4" copper tubing inlet waterline; minimum 35 psi; maximum 120 psi
Overall interior dimensions		
Refrigerator	18.5 cu. ft. (524 liters)	18.5 cu. ft. (507 liters)
Freezer	8.9 cu. ft. (252 liters)	8.6 cu. ft. (243 liters)
Total capacity	27.4 cu. ft. (776 liters)	27.1 cu. ft. (767 liters)
Approximate shipping weight	715 lbs. (321.8 kg)	735 lbs. (330.8 kg)

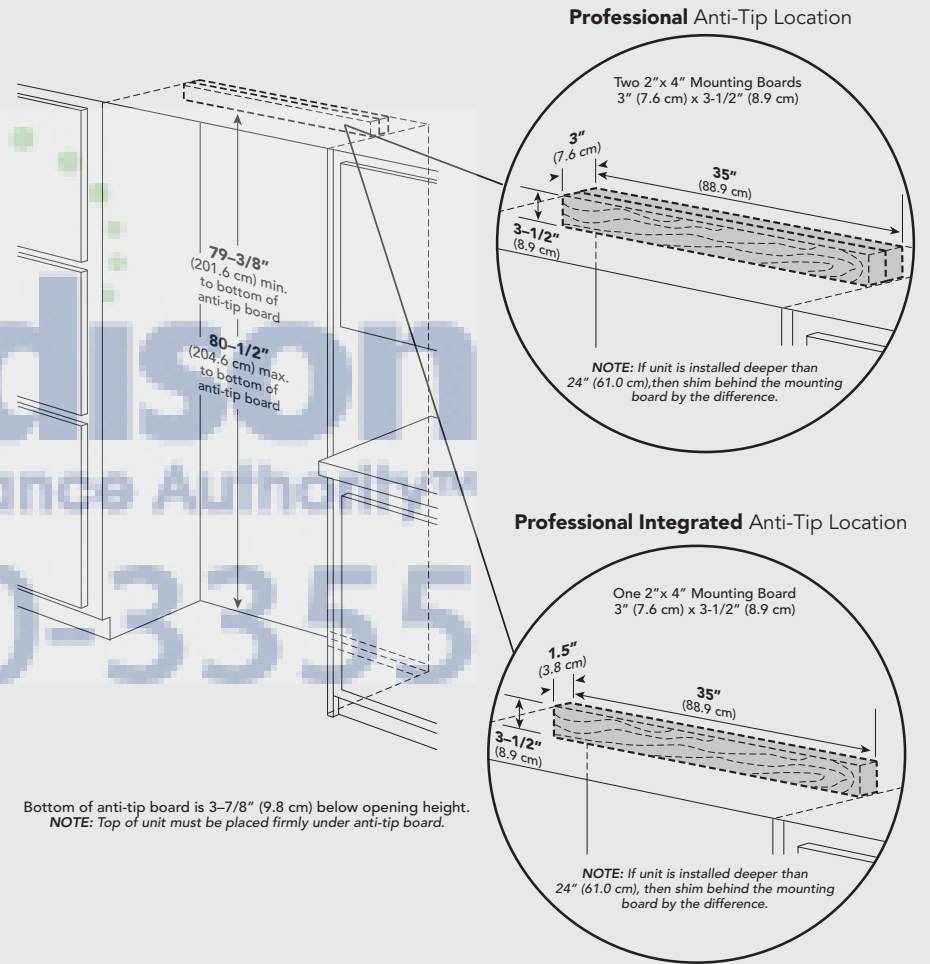
Cutout Dimensions (Professional Side-By-Side)

42" Professional & Professional Integrated



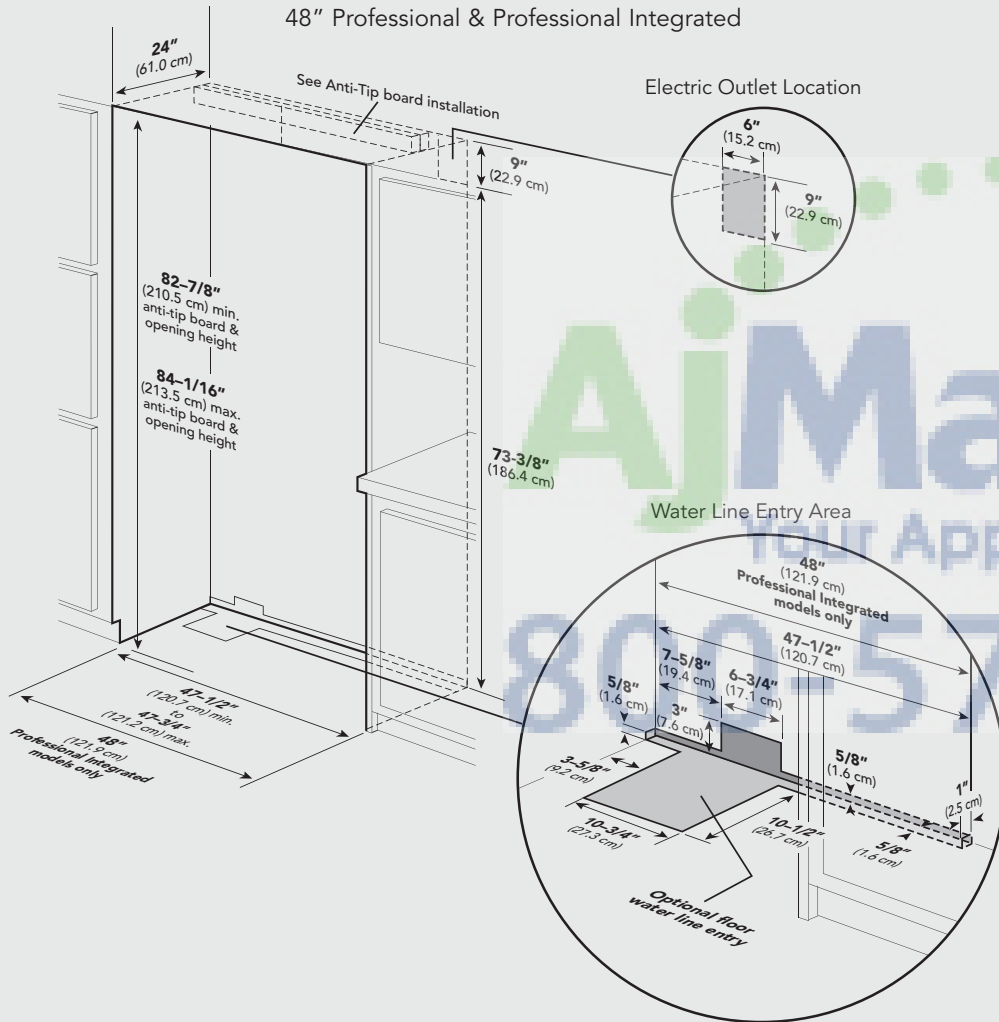
Anti-Tip Dimensions (Professional Side-By-Side)

42" Professional



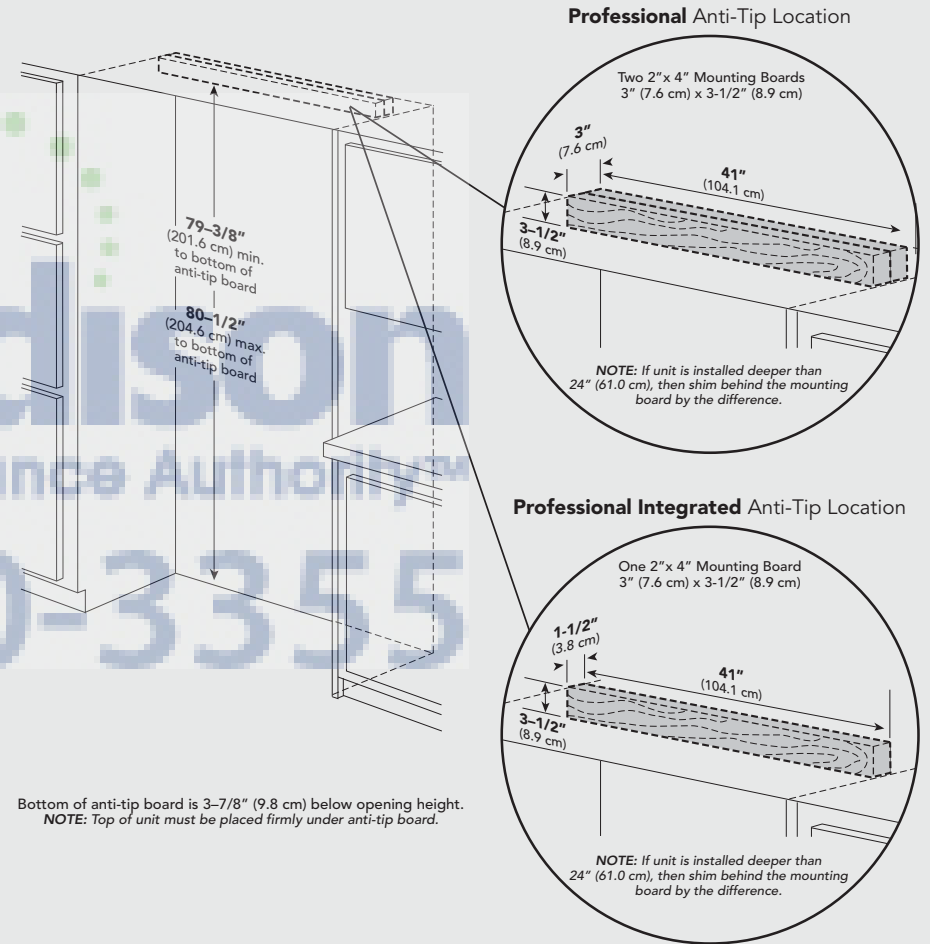
Cutout Dimensions (Professional Side-By-Side)

48" Professional & Professional Integrated



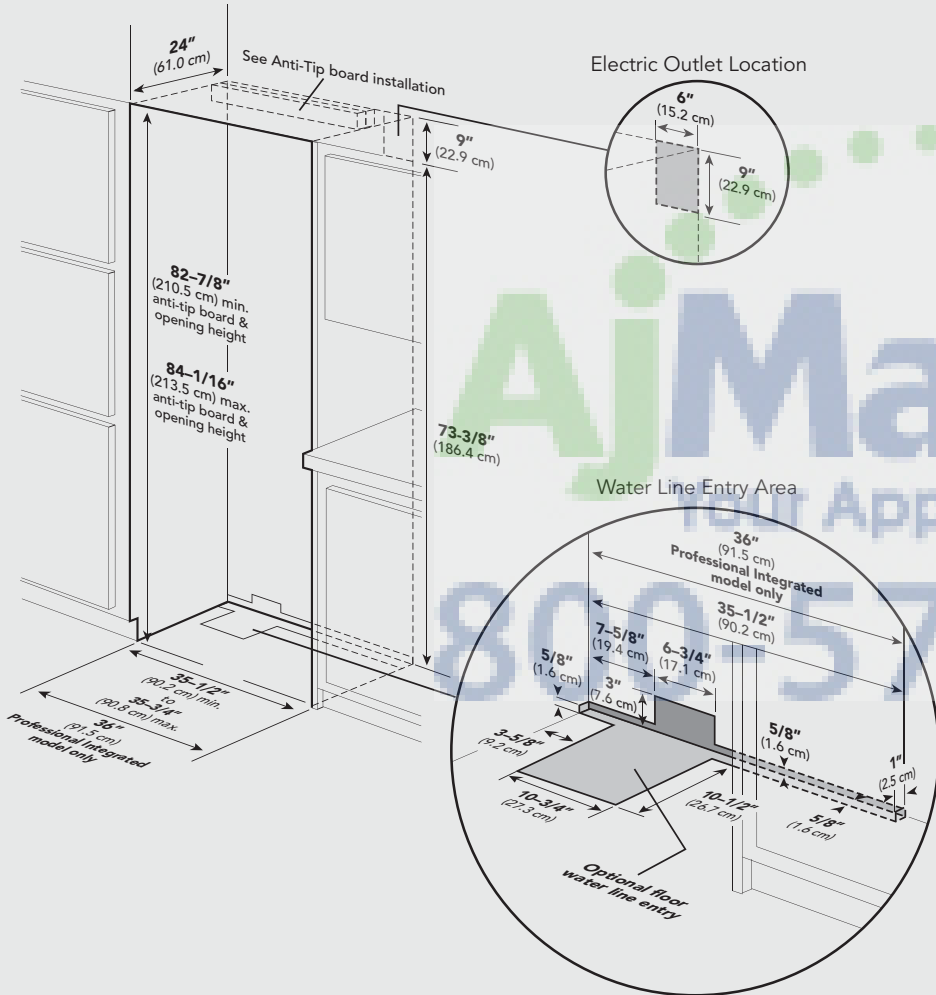
Anti-Tip Dimensions (Professional Side-By-Side)

48" Professional & Professional Integrated



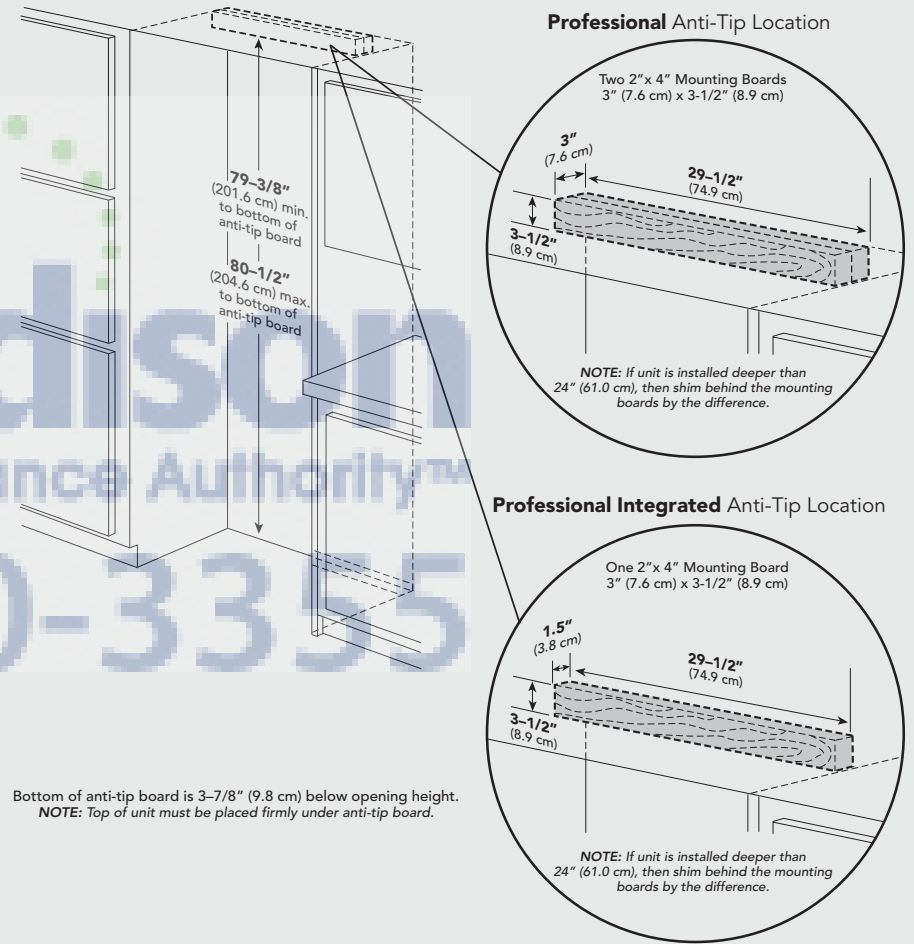
Cutout Dimensions (Professional Bottom-Mount)

36" Professional & Professional Integrated



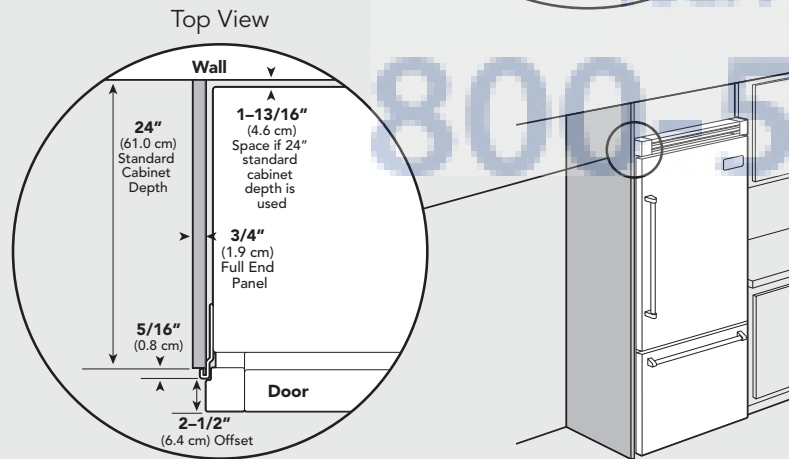
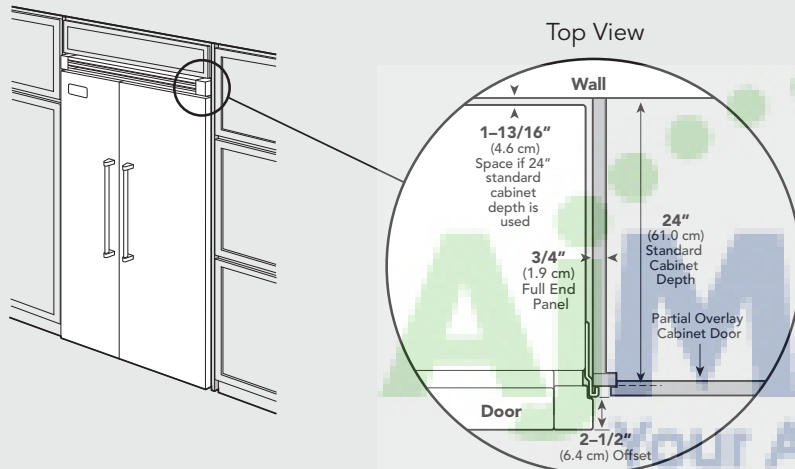
Anti-Tip Dimensions (Professional Bottom-Mount)

36" Professional & Professional Integrated



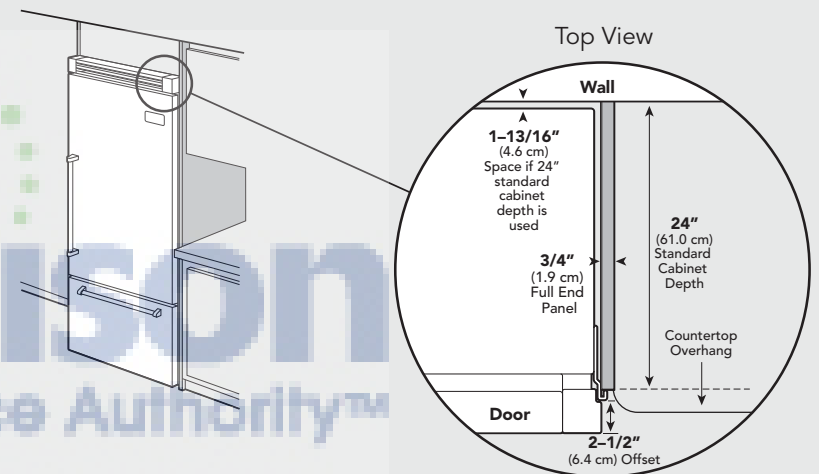
Cabinet Information (Professional)

Professional models fit "semi-flush" in standard 24" (61.0 cm) deep cabinet openings. The door face protrudes 2-1/2" (6.4 cm) from the cabinet face. The handle protrudes an additional 2-1/2" (6.4 cm) into the room.



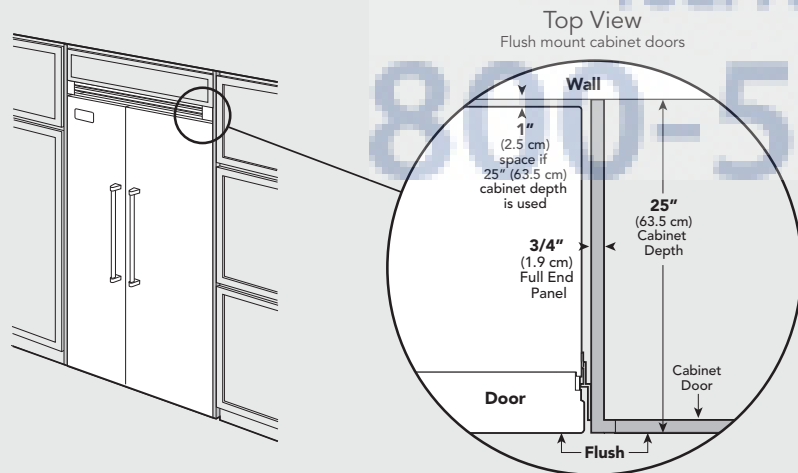
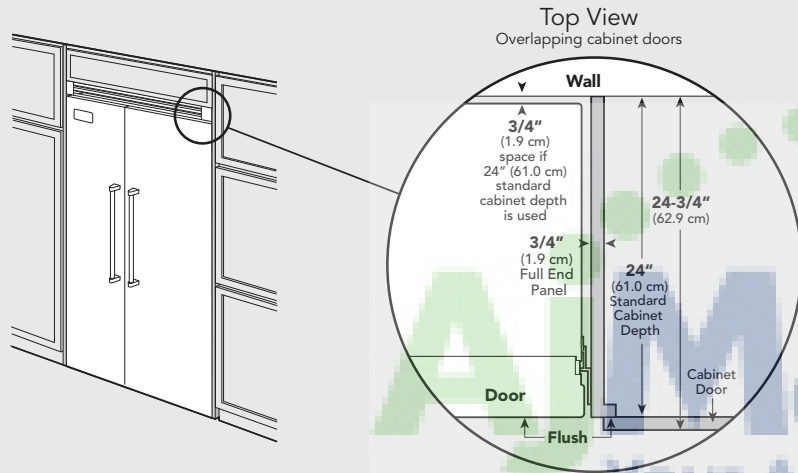
Cabinet Information (Professional)

Professional models fit "semi-flush" in standard 24" (61.0 cm) deep cabinet openings. The door face protrudes 2-1/2" (6.4 cm) from the cabinet face. The handles protrude an additional 2-1/2" (6.4 cm) into the room.



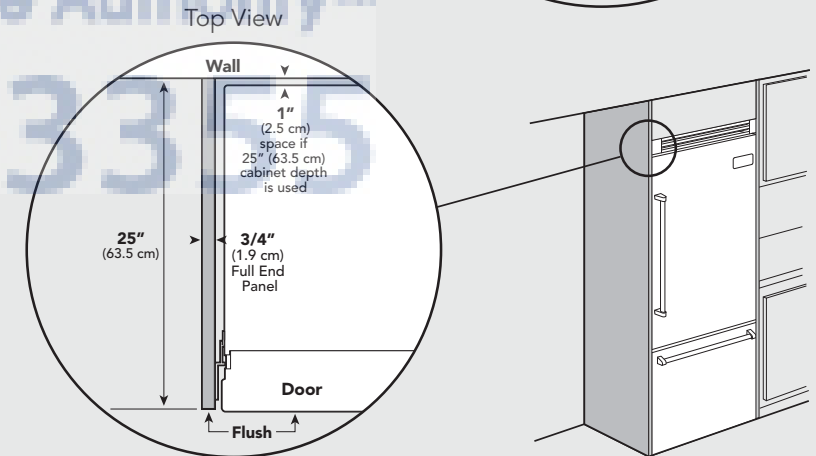
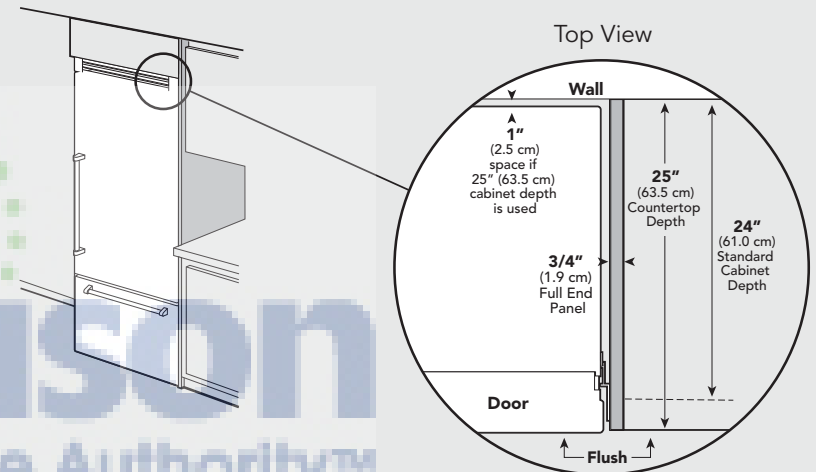
Cabinet Information (Professional Integrated)

Professional Integrated models fit flush in standard 24" (61.0 cm) deep cabinet openings with no protrusion into the room except the handle protrudes 2-1/2" (6.4 cm) into the room.

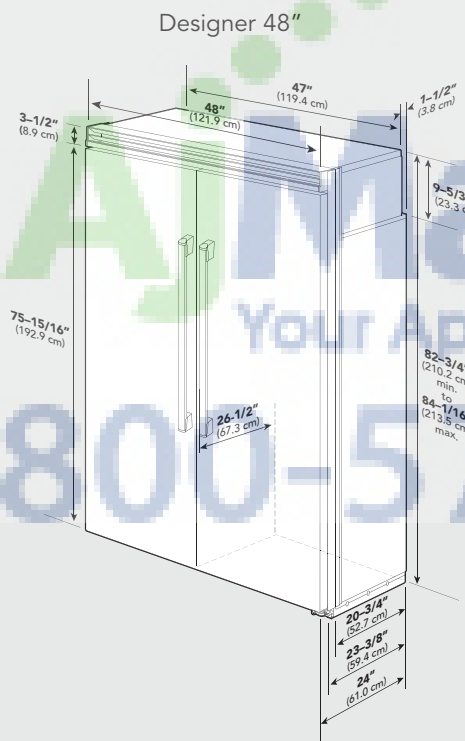
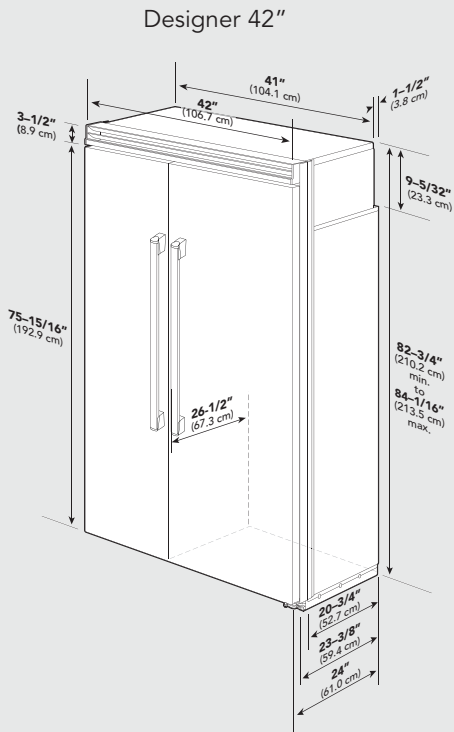


Cabinet Information (Professional Integrated)

Professional Integrated models fit flush in standard 24" (61.0 cm) deep cabinet openings with no protrusion into the room except the handle protrudes 2-1/2" (6.4 cm) into the room.



Dimensions (Designer Side-By-Side)



Specifications (Designer Side-By-Side)

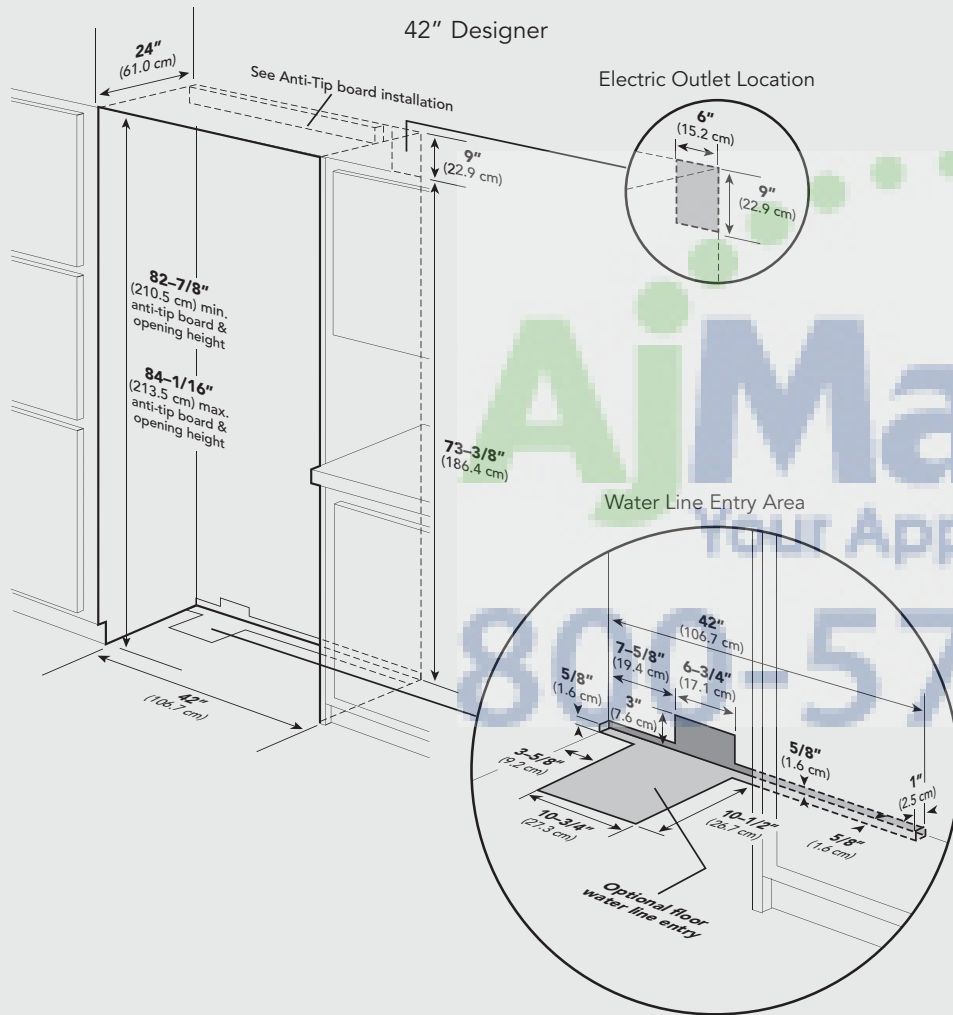
42" Designer Side-By-Side

Description	DDSB542	DDSB542D
Overall width	42" (106.7 cm)	
Overall height from bottom	82-3/4" (210.2 cm) min. to 84-1/16" (213.5 cm) max.	
Overall depth from rear	To front edge of side trim: 23-3/8" (59.4 cm) To front of top grille: 24" (61.0 cm) To front of handle: 26-1/2" (67.3 cm)	
Cutout width	42" (106.7 cm)	
Cutout height	82-7/8" (210.5 cm) min. to 84-1/16" (213.5 cm) max.	
Cutout depth	24" (61.0 cm) min.	
Electrical requirements	115 volt, 60 Hz, 15 amp dedicated circuit; 3-wire cord with grounded 3-prong plug attached to product	
Maximum amp usage	9.9 amps	
Inlet water Requirements	1/4" copper tubing inlet waterline; minimum 20 psi; maximum 120 psi	1/4" copper tubing inlet waterline; minimum 35 psi; maximum 120 psi
Overall interior dimensions		
Refrigerator	15.0 cu. ft. (425 liters)	15.0 cu. ft. (425 liters)
Freezer	9.0 cu. ft. (255 liters)	8.6 cu. ft. (243 liters)
Total capacity	24.0 cu. ft. (680 liters)	23.6 cu. ft. (668 liters)
Approximate shipping weight	642 lbs. (289 kg)	665 lbs. (299.3 kg)

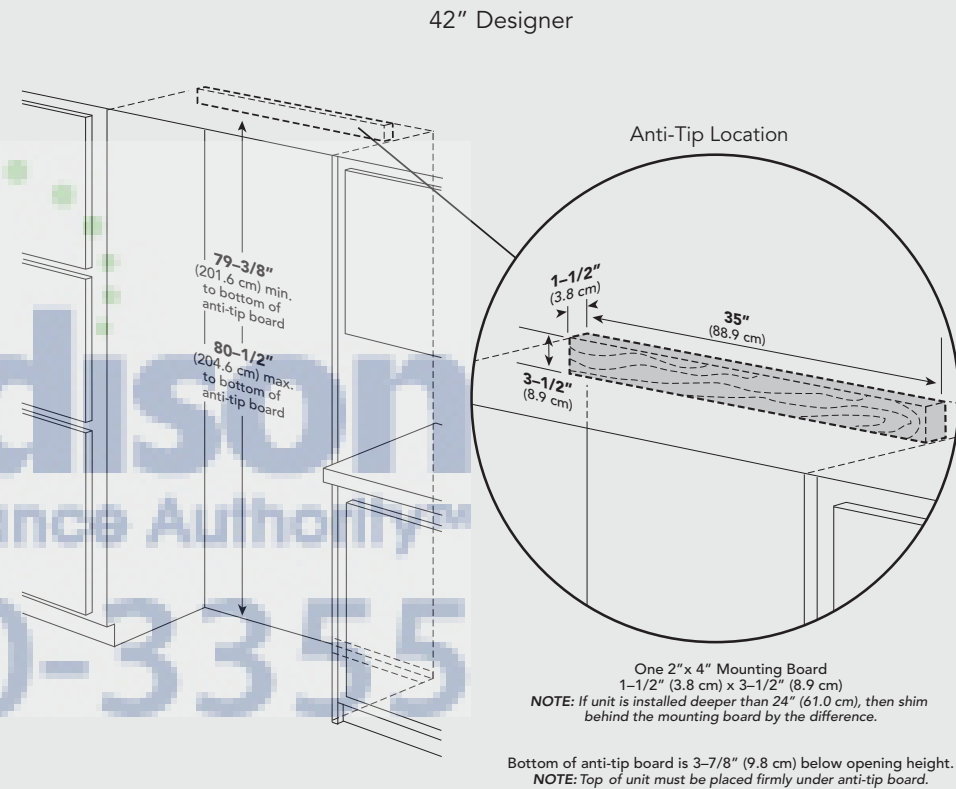
48" Designer Side-By-Side

Description	DDSB548	DDSB548D
Overall width	48" (121.9 cm)	
Overall height from bottom	82-3/4" (210.2 cm) min. to 84-1/16" (213.5 cm) max.	
Overall depth from rear	To front edge of side trim: 23-3/8" (59.4 cm) To front of top grille: 24" (61.0 cm) To front of handle: 26-1/2" (67.3 cm)	
Cutout width	48" (121.9 cm)	
Cutout height	82-7/8" (210.5 cm) min. to 84-1/16" (213.5 cm) max.	
Cutout depth	24" (61.0 cm) min.	
Electrical requirements	115 volt, 60 Hz, 15 amp dedicated circuit; 3-wire cord with grounded 3-prong plug attached to product	
Maximum amp usage	9.9 amps	
Inlet water Requirements	1/4" copper tubing inlet waterline; minimum 20 psi; maximum 120 psi	1/4" copper tubing inlet waterline; minimum 35 psi; maximum 120 psi
Overall interior dimensions		
Refrigerator	18.5 cu. ft. (524 liters)	18.5 cu. ft. (524 liters)
Freezer	8.9 cu. ft. (252 liters)	8.6 cu. ft. (243 liters)
Total capacity	27.4 cu. ft. (776 liters)	27.1 cu. ft. (767 liters)
Approximate shipping weight	705 lbs. (317.3 kg)	730 lbs. (328.5 kg)

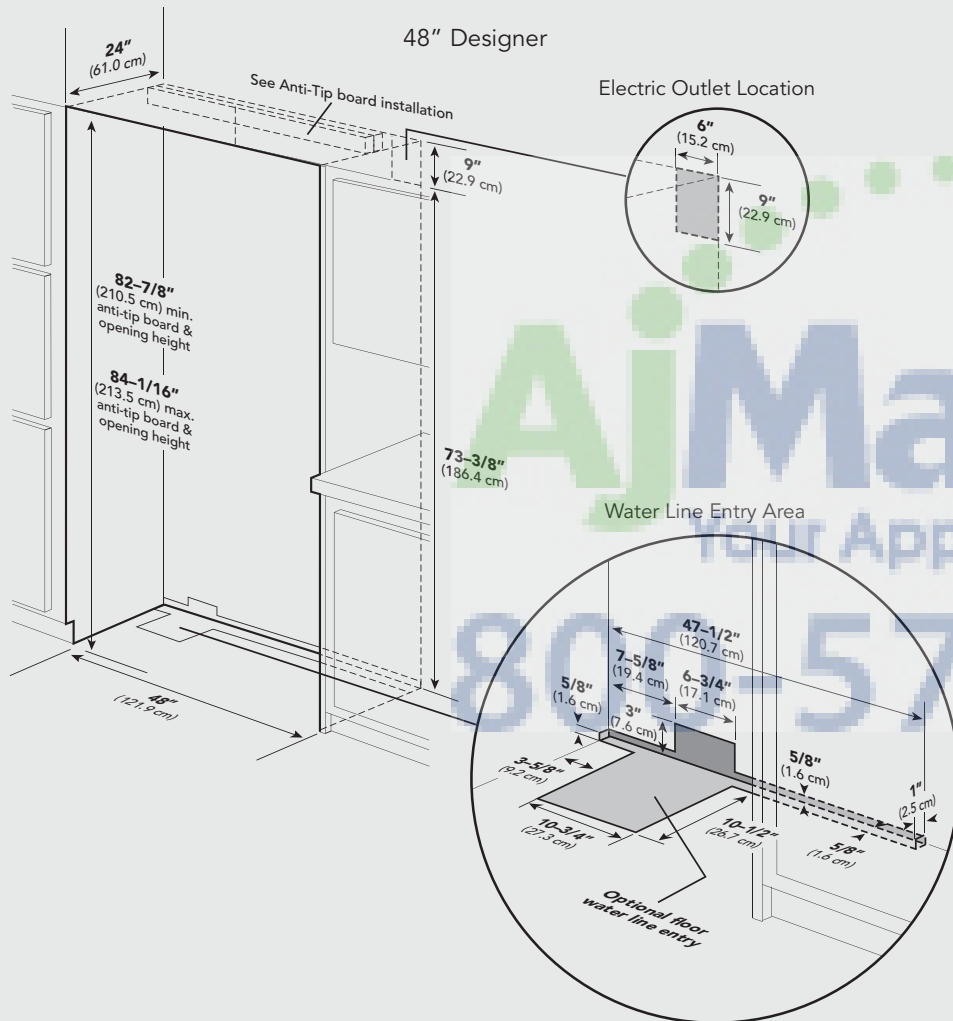
Cutout Dimensions (Designer Side-By-Side)



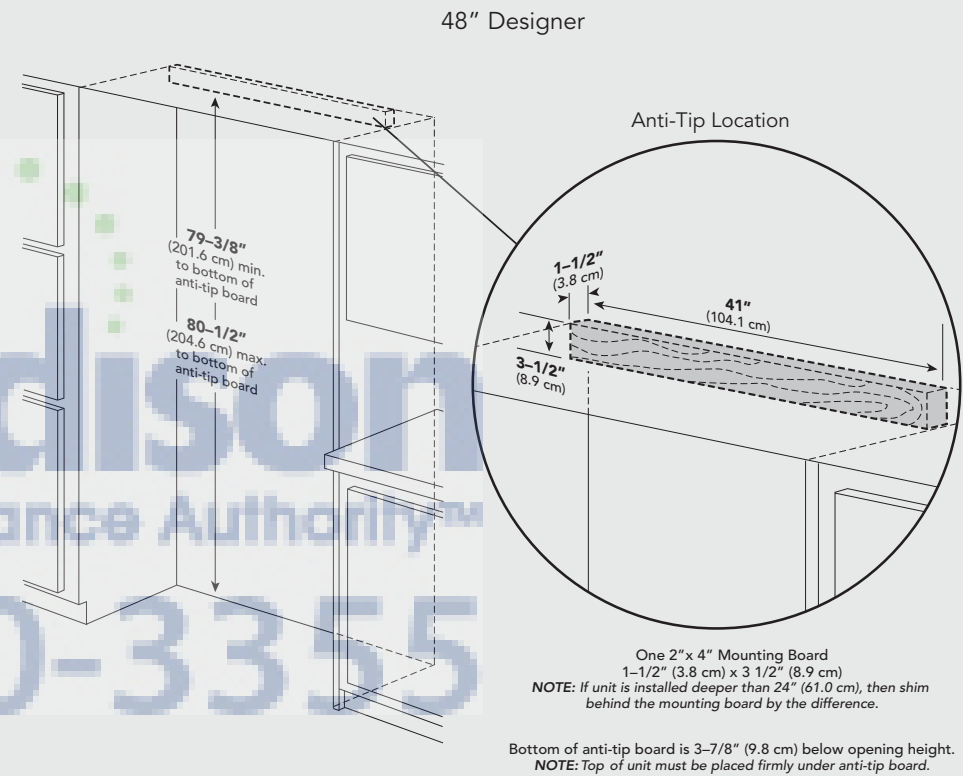
Anti-Tip Dimensions (Designer Side-By-Side)



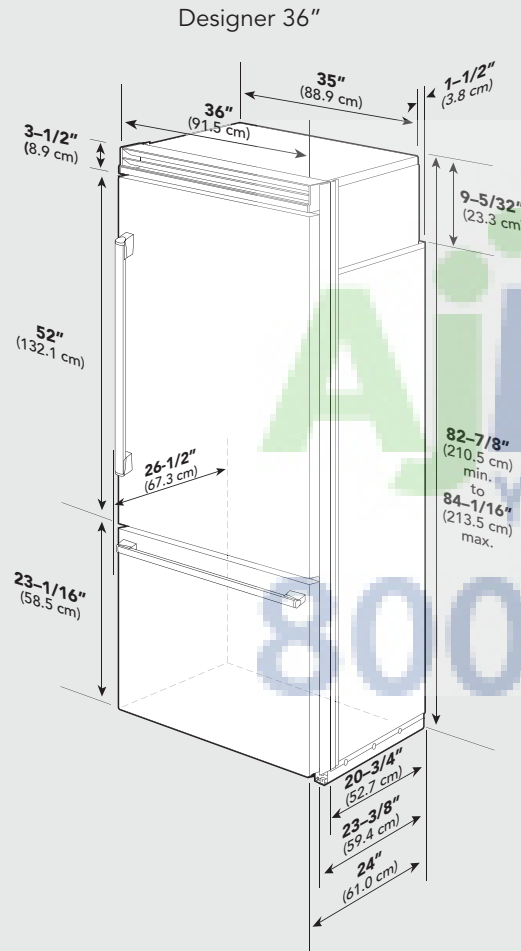
Cutout Dimensions (Designer Side-By-Side)



Anti-Tip Dimensions (Designer Side-By-Side)



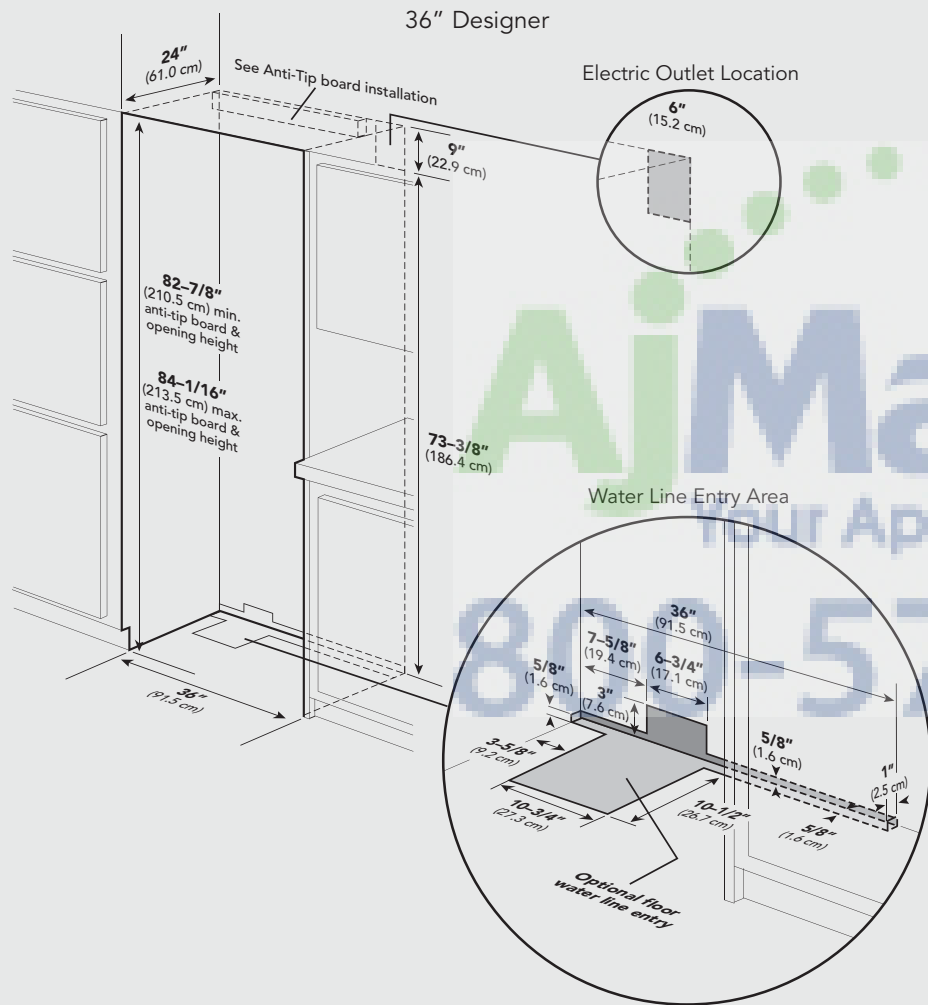
Dimensions (Designer Bottom-Mount)



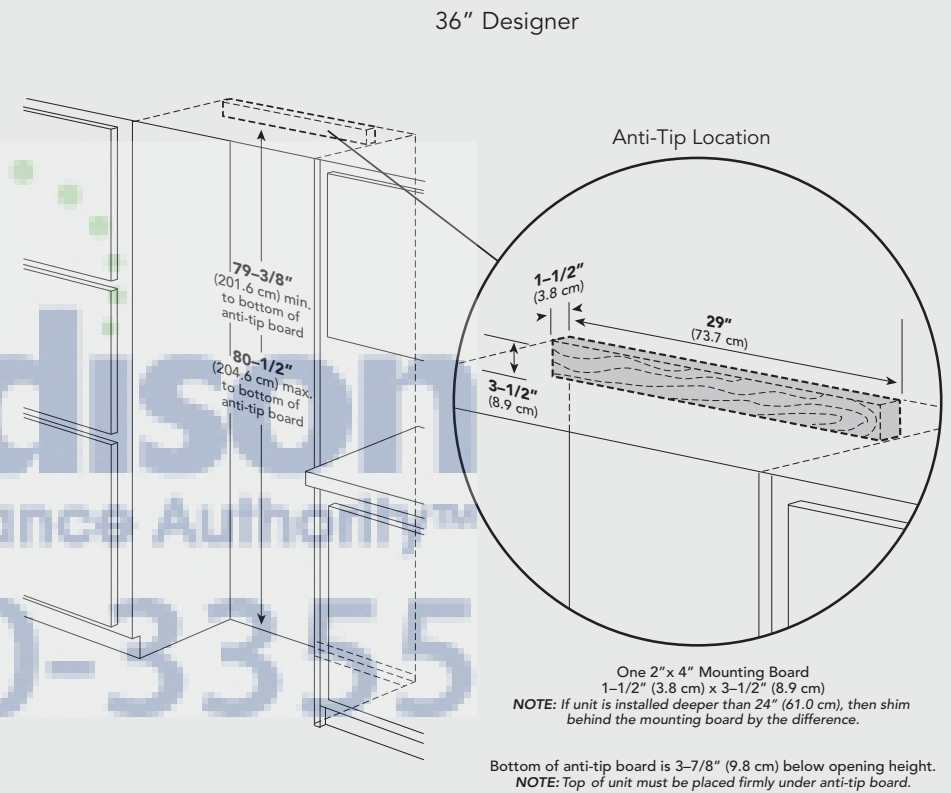
Specifications (Designer Bottom-Mount)

36" Designer Bottom-Mount	
Description	DDBB536
Overall width	36" (91.5 cm)
Overall height from bottom	82-3/4" (210.2 cm) min. to 84-1/16" (213.5 cm) max.
Overall depth from rear	To front edge of side trim: 23-3/8" (59.4 cm) To front of top grille: 24" (61.0 cm) To front of handle: 26-1/2" (67.3 cm)
Cutout width	36" (91.5 cm)
Cutout height	82-7/8" (210.5 cm) min. to 84-1/16" (213.5 cm) max.
Cutout depth	24" (61.0 cm) min.
Electrical requirements	115 volt, 60 Hz, 15 amp dedicated circuit; 3-wire cord with grounded 3-prong plug attached to product
Maximum amp usage	9.9 amps
Inlet water Requirements	1/4" copper tubing inlet waterline; minimum 20 psi; maximum 120 psi
Overall interior dimensions	
Refrigerator	15.2 cu. ft. (431 Liters)
Freezer	5.1 cu. ft. (145 Liters)
Total capacity	20.3 cu. ft. (576 Liters)
Approximate shipping weight	565 lbs. (254.3 kg)

Cutout Dimensions (Designer Bottom-Mount)

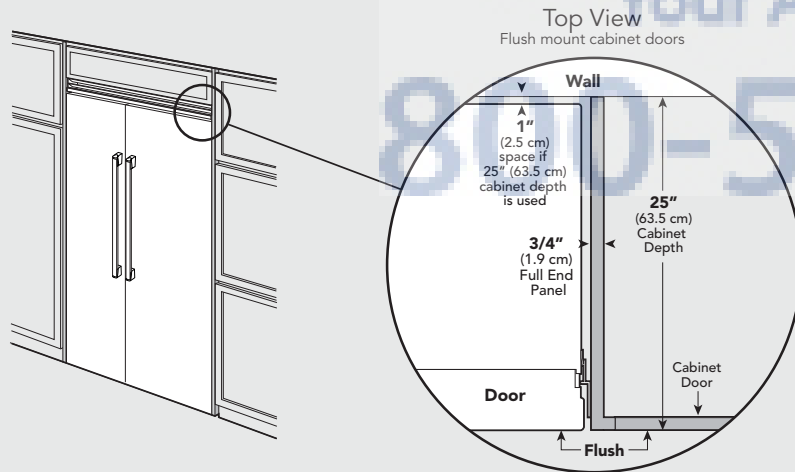
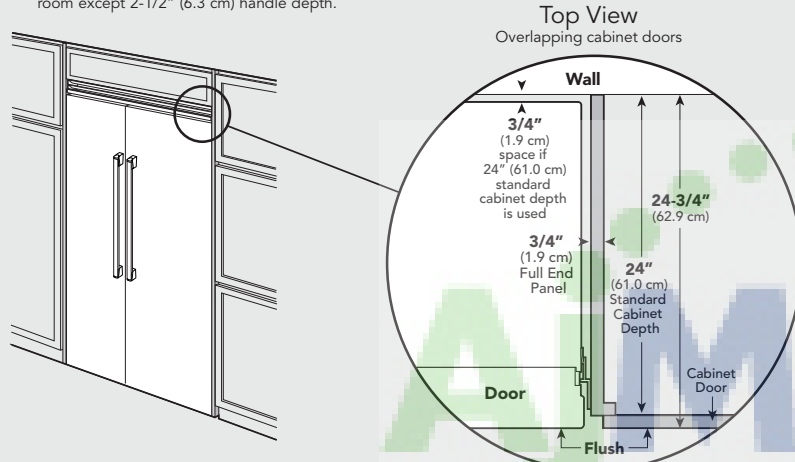


Anti-Tip Dimensions (Designer Bottom-Mount)



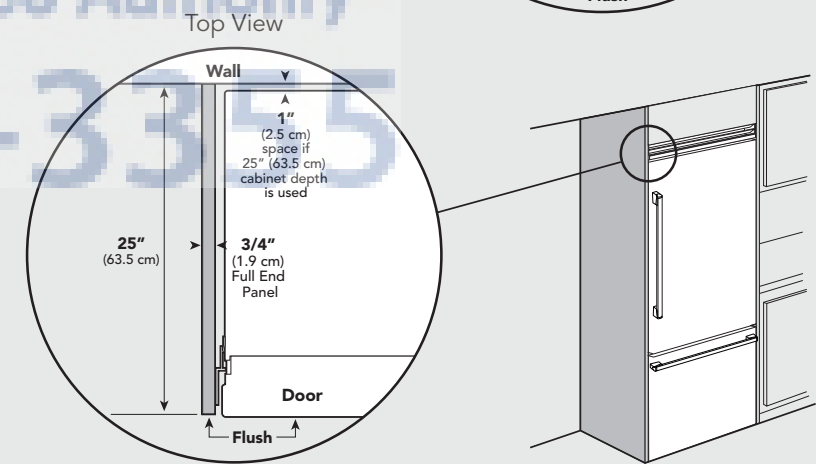
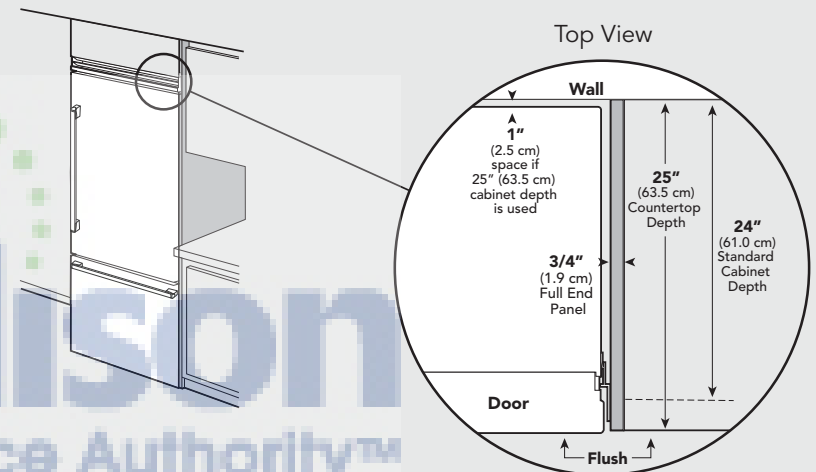
Cabinet Information (Designer)

Designer models fit flush in standard 24" (61.0 cm) deep cabinet openings with no protrusion into the room except 2-1/2" (6.3 cm) handle depth.

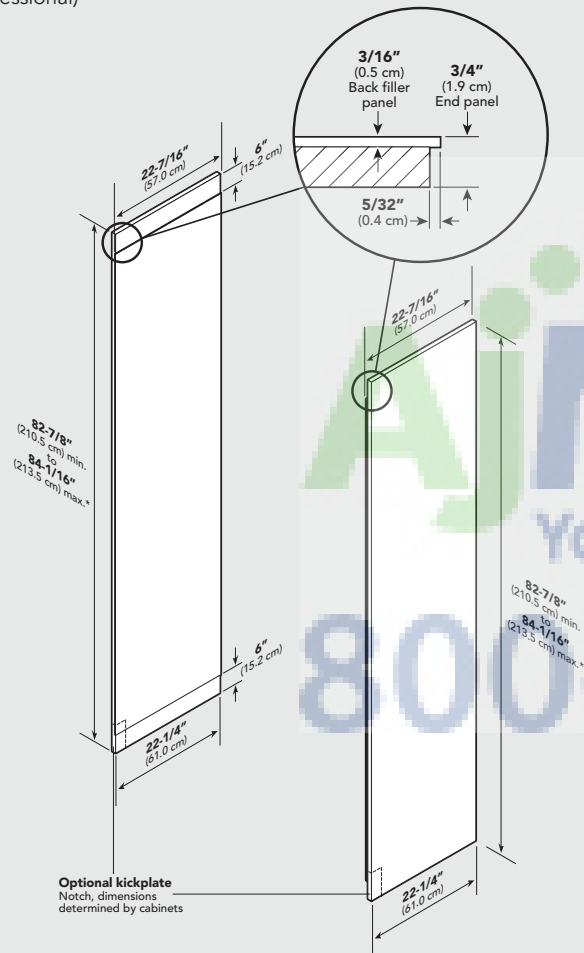


Cabinet Information (Designer)

Designer models fit flush in standard 24" (61.0 cm) deep cabinet openings with no protrusion into the room except 2-1/2" (6.3 cm) handle depth.

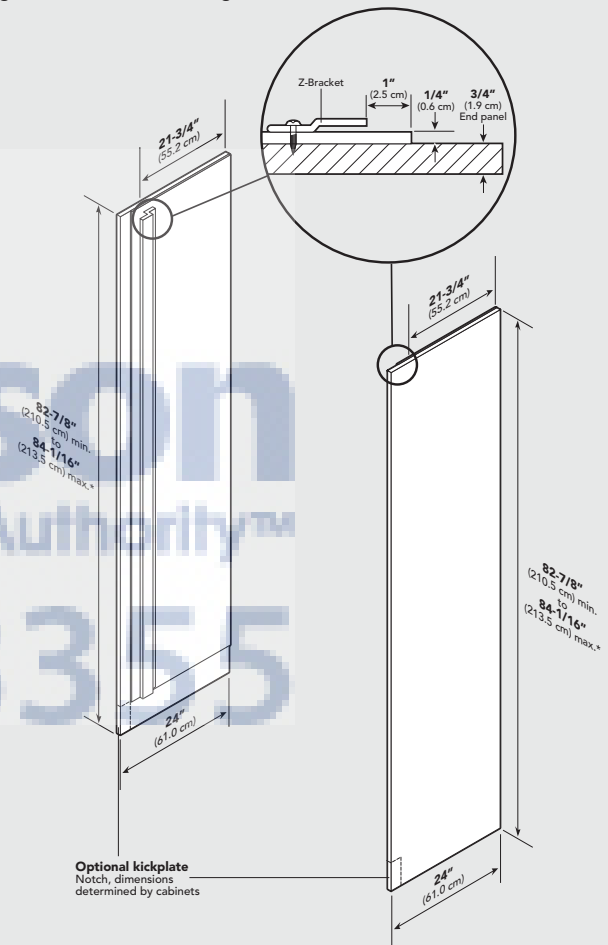


Custom Side Panel Dimensions (Professional)



* Depending on how high leveling feet are raised, and cabinet enclosure height.

Custom Side Panel Dimensions (Designer & Professional Integrated)



* Depending on how high leveling feet are raised, and cabinet enclosure height.

General Information

Area Requirements

Verify the following:

- Unit can fit into residence and can be moved around corners and through doorways.
- Floors can support unit's weight plus food weight (approximately 1200 pounds [540 kg] total).
- Rear wall is solid and is able to support two horizontally mounted 2X4s (included) bolted to two wall studs. The 2X4 board bolt heads must be flush with 2X4 to prevent obstruction.
- Remove anything attached to rear or side walls that can obstruct unit installation.
- Cutout dimensions are accurate.
- Electrical outlet is in correct location.
- Water line is in correct location.
- Do not install a refrigeration unit near a heat source, nor in a location where the surrounding temperature will fall below 60° F (16° C).

Electrical Requirements

It is the customer's responsibility to:

- Contact a qualified electrical installer.
- Assure that the electrical installation is adequate and in conformance with the National Electrical Code, ANSI/NFPA 70- latest edition or Canadian Electrical Code C22.1-1998 and C22.2 No. 0-M91 (or latest edition), and all local codes and ordinances. A 115 volt, 60-Hz, 15 amp, fused, electrical supply is required. It is required that a separate circuit serving only

this appliance be provided. This appliance is equipped with a power supply cord having a 3-prong grounding plug. To minimize possible shock hazard, the cord must be plugged into a mating 3-prong, grounding-type wall receptacle.

Do not use an extension cord.

If codes permit a separate grounding wire to be used, it is recommended that a qualified electrician determine that the grounding path is adequate.

DO NOT ground to a gas pipe. Check with a qualified electrician if you are not sure the appliance is properly grounded. **DO NOT** have a fuse in the neutral or grounding circuit.

Anti-Tip Requirements

The anti-tip boards should be fastened into position prior to moving the unit into the opening.

NOTE: Additional mounting boards may be required if the unit does not touch the back wall of the enclosure. To prevent unit from tipping forward, it must be secured in place with a solid soffit or wood block.

⚠ WARNING

To avoid serious illness or death, do not use unit where water is microbiologically unsafe or of unknown quality without adequate disinfection before or after the system. Systems certified for cyst reduction may be used on disinfected water that may contain filterable cysts. The contaminants or other substances removed or reduced by this water treatment system are not necessarily in your water.

General Information

Water Supply Requirements

⚠ CAUTION

Be sure to have a replacement cartridge available when filter change is required.

- If water filtration system has been allowed to freeze, replace filter cartridge.
- If system has not been used in several months, and water has an unpleasant taste or odor, flush system by dispensing 2-3 glasses of water. If unpleasant taste or odor persists, change filter cartridge.

Use only 1/4" (6 mm) copper tubing for water line. Do Not install copper tubing in area where temperatures drop below 35° F (1.7° C). Before attaching copper tubing to the unit, flush at least 2 quarts (1.9 L) of water through the copper tubing and into a bucket to remove any particles in the water line.

- Viking Range Corporation is not responsible for property damage due to improper installation or water connection.
- Connect 1/4" (6 mm) flexible copper tubing to household plumbing in compliance with local codes and ordinances.
- Length of copper tubing must reach from water supply connection to the unit connection with an additional length to facilitate moving the unit out of enclosure for cleaning or service. Tubing should be soft instead of rigid and ends should be free of burrs.
- Copper tubing route must be above 35° F (1.7° C) to prevent water line from freezing.

- **Do not use plastic water lines from the household plumbing to the water inlet valve connection on the refrigeration unit.**
- **Do not use the self-piercing feature of a saddle valve.** The hole made by the piercing lance is too small for the water flow rate required by the ice maker.
- If saddle valve is not used, place a separate shut-off valve in an easily accessible location between water supply and the unit. Do not locate shut-off valve behind the unit.
- The installation of Viking units with a reverse osmosis system is acceptable **as long as the water pressure remains within the allowable PSI as stated below.** It is important to note that with many reverse osmosis systems, the pressure starts off high, but then it decreases as the water level of the reverse osmosis storage area drops. This must be considered when checking the water pressure coming into the unit.
- Connect a vertical or horizontal 1/2" (1.2 cm) to 1-1/4" (3.2 cm) COLD water line near water area.
- Run water line through the floor, back, or side wall. Tubing should lay flat on floor underneath the unit. Clamp tubing to wall or floor.
- Water pressure must be greater than 20 psi and less than 120 psi on non-dispensers and greater than 35 psi and less than 120 psi on dispensers.

General Information

- Most of the unit's weight is at the top. Extra care is needed when moving the unit to prevent tipping.
- Do not remove protective film until unit is in operating position.
- All four leveling legs must contact the floor to support and stabilize the full weight.
- Do not drop unit.
- Remove exterior shipping materials prior to moving unit into home, except door latching device.
- Use two or more people to move and install unit. Failure to follow this instruction can result in back or other injury.
- To avoid personal injury, wear gloves when performing any installation procedure and wear eye protection when cutting metal straps.

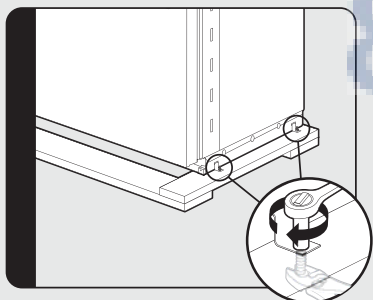
TIP OVER HAZARD

Appliance is top heavy and tips easily when not completely installed. Keep doors closed until appliance is completely installed and secured per installation instructions. Use two or more people to move and install appliance. Failure to do so can result in death or serious injury.

Unpacking Unit

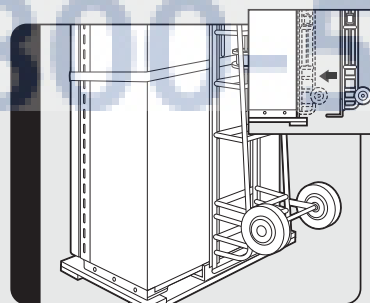
1. Remove top and bottom strap.
2. Remove top cap.
3. Cut carton rear approximately 1/4" (0.6 cm) to 1" (2.5 cm) from right corner with a utility knife extended 1/4" (0.6 cm).
4. Remove carton and exterior packaging. Save cardboard shipping material to protect floor surface when installing unit. Remove anti-tip board, kickplate and door trim pieces (DF models) from rear of unit.

Moving Unit



Remove shipping brackets from skid by removing four bolts (two on each side) with a 1/2" deep-well socket wrench and a pair of pliers.

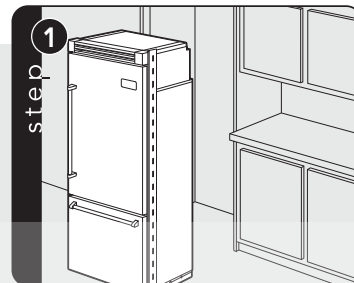
NOTE: Tilting unit is not required to remove shipping brackets.



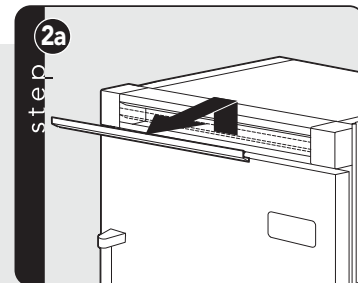
Slip appliance dolly between unit and skid. Remove unit from skid.

NOTE: Use excess packaging to protect decorative trim; also, verify that leveling legs are up (0" adjustment).

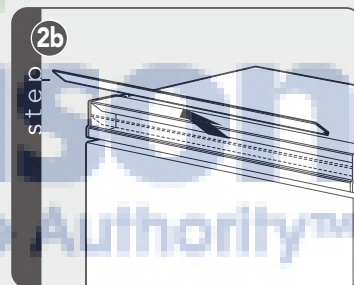
Installation



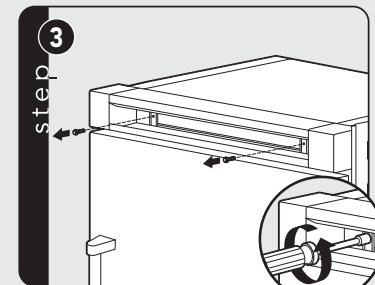
Place unit in front of cutout.



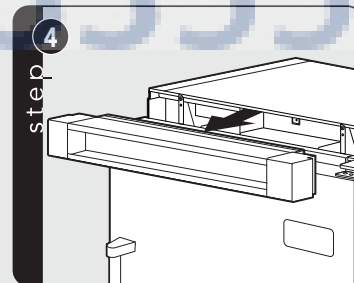
(Professional) Lift center grille louver up and pull out.



(Designer) Pull the center grille louver up at an angle and pull out.

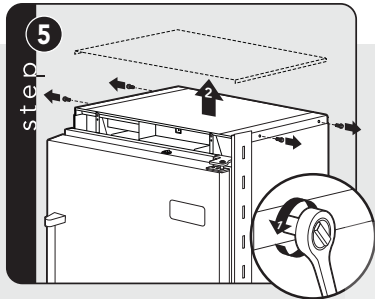


Using an 8" magnetic nut driver, remove the two 1/4" screws.

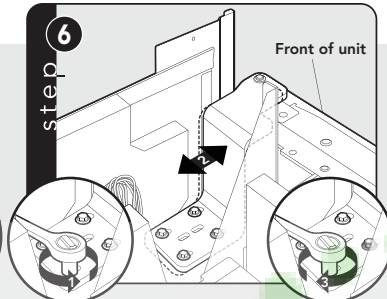


Remove grille assembly.

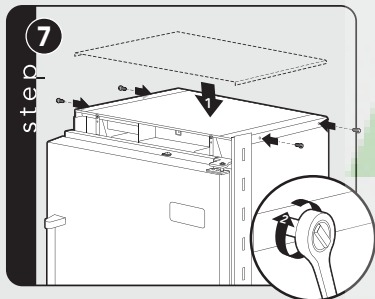
Hinge Adjustment



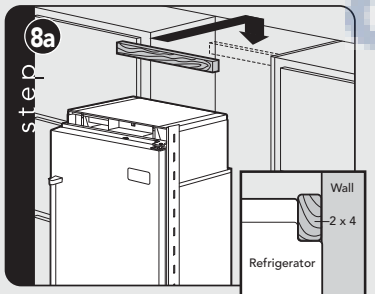
Remove four side screws and remove unit top.



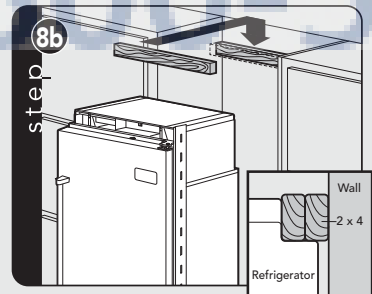
Loosen the four hinge screws. Adjust door. Retighten four hinge screws.



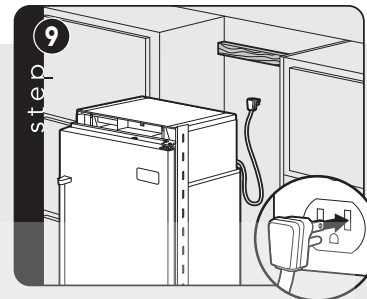
Replace unit top. Replace four side screws.



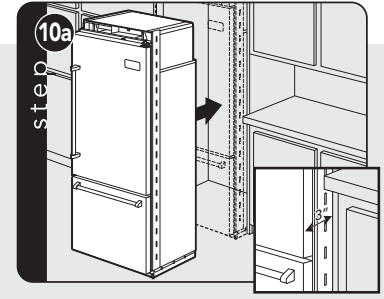
Attach one 2x4 to wall stud (refer to dimensions page for exact location).



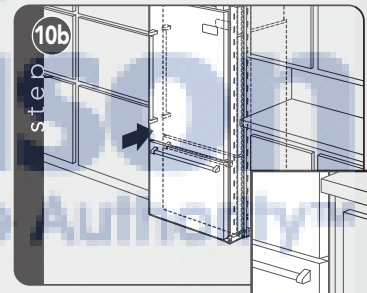
If needed, depending on cabinet and depth, attach second 2x4 to first 2x4.



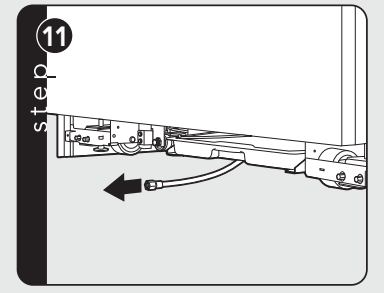
Plug in power cord to verify operation.
NOTE: Make sure power switch is in the "On" Position.



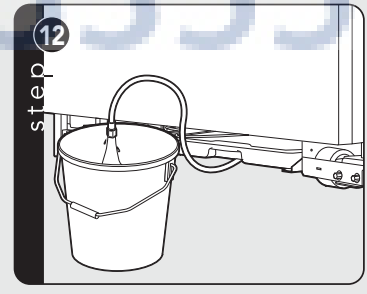
Place unit within 3" of being flush with cabinets.
NOTE: To avoid cabinet damage, place cardboard between cabinets and unit. When moving unit, do not crimp, kink or crush water supply line.



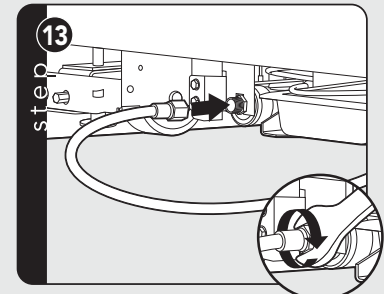
Carefully move unit until semi flush with cabinet (depending on unit).



Pull supply tubing forward under unit.
NOTE: DO NOT use plastic water lines.

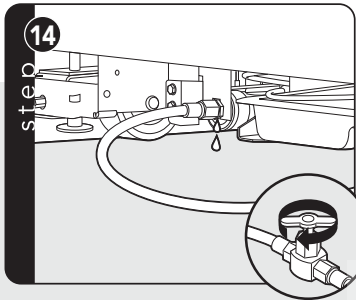


Flush water line by running two quarts of water into a bucket. Turn water off.

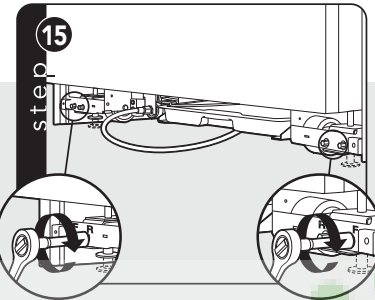


Connect supply tube to water valve using a 1/2" wrench. **NOTE:** DO NOT overtighten.

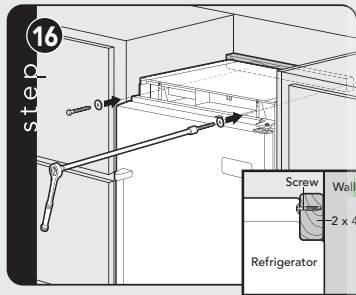
AjMadison
Your Appliance Authority
800-570-3355



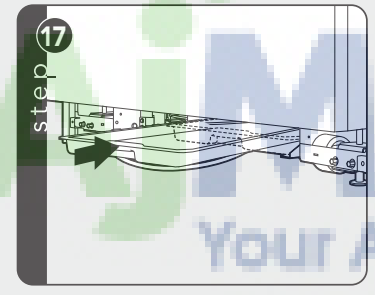
Turn on water supply and check for leaks.



Lift unit off rollers to desired height and level unit using a 5/16" head wrench.
NOTE: DO NOT use an electric device. Overtightening can cause damage.

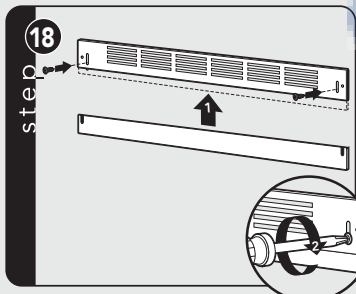


Attach positive secure self-tapping bolts to 2x4 using a 22" extension.

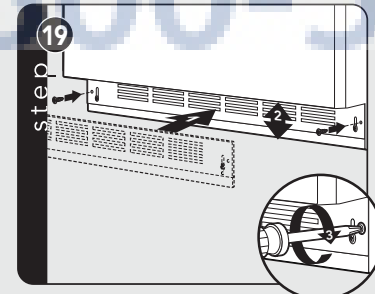


Verify that drain pan is installed and aligned.

Kickplate Installation

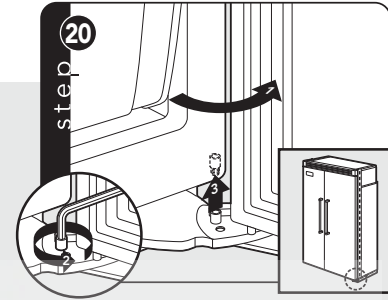


Align holes on both ends of louvered panels and insert screws.



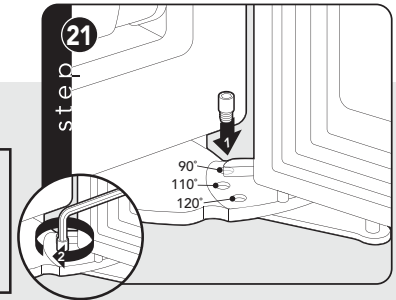
Using a Phillips screwdriver, attach the kickplate to the unit and adjust to desired height.

Door Stop Adjustment (Side-by-Side)



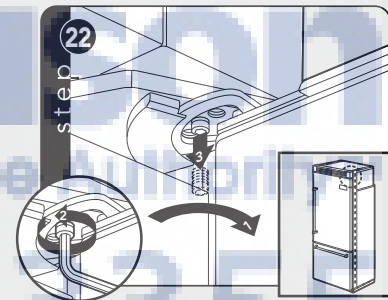
Open refrigerator door so door stop and shoulder screw are accessible.

NOTE: Shoulder screw should be in 110° door opening position.



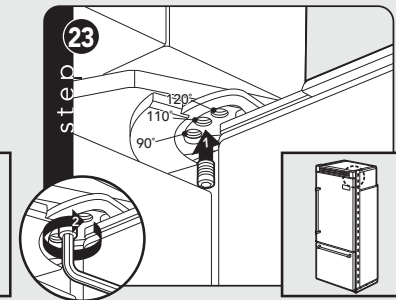
Remove shoulder screw and place in 90° or 120° position.

Door Stop Adjustment (Bottom-Mount)



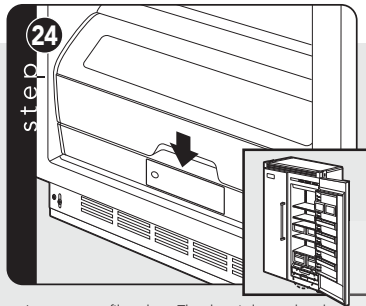
Open refrigerator door so door stop and shoulder screw are accessible.

NOTE: Shoulder screw should be in 110° door opening position.

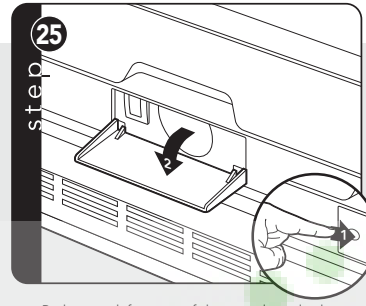


Remove shoulder screw and place in 90° or 120° position.

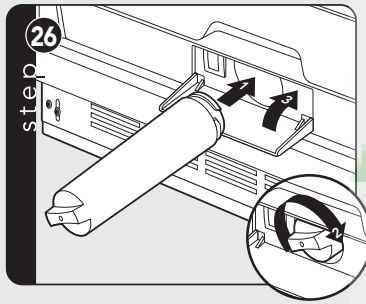
Water Filter Installation (Side-by-Side with Dispenser)



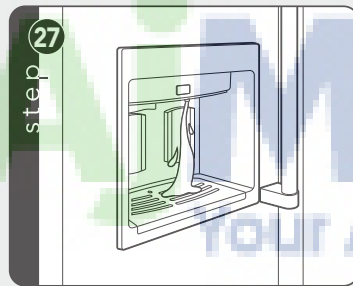
Locate water filter door. The door is located under the Adjustable Cold Zone™ handle.



Push upper left corner of door to release latch and pull door downward.



Insert filter cartridge into circular opening in filter housing. Rotate clockwise gently until filter stops. Close water filter door.



NOTE: Allow 1-2 minute delay in water dispersal to allow internal water tank to fill. Flush air from the system by running water through the dispenser continuously for 3 minutes.

Water Filter System Specification and Performance Data Sheet

This system has been tested according to NSF/ANSI 42/53 for reduction of the substances listed below. The concentration of the indicated substances in water entering the system was reduced to a concentration of less than or equal to the permissible limit for water leaving the system, as specified in NSF/ANSI 42/53.* (100% safety factors built-in for unmetered usage for health claims only.)

Standard No. 42: Aesthetic Effects								
Parameter	USEPA McL	Influent Average	Influent Challenge Concentrations	Effluent		%Reduction		Min. Req. Reduction
				Average	Maximum	Average	Minimum	
Chlorine	—	1.88 mg/L	2.0 mg/L ± 10%	<0.05mg/L	0.06 mg/L	>97.26%	96.84%	≥ 50%
T&O	—	—	—	—	—	—	—	—
Particulates**	—	5,700,000 #/mL	at least 10,000 particles/mL	29.83#/mL	140 #/mL	99.98%	99.91%	≥ 85%

Standard No. 53: Health Effects								
Parameter	USEPA McL	Influent Average	Influent Challenge Concentrations	Effluent		%Reduction		Min. Req. Reduction
				Average	Maximum	Average	Minimum	
Turbidity	1 NTU***	10.73 NTU***	11 ± 1 NTU	0.36 NTU	.049 NTU	97.09%	95.20%	0.5 NTU
Cysts	99.95% Reduction	200,000 #/L	min. 50,000/L	<1	<1	>99.99%	>99.99%	>99.95%
Asbestos	99% Reduction	155 MF/L	10 ⁷ & 10 ⁸ fibers/L fibers>10micrometers	<1	<1	>99.99%	>99.99%	99%
Lead at pH 6.5	0.015 mg/L	0.153 mg/L	0.15mg/L ± 10%	<.001	<.001	>99.35%	>99.35%	0.010 mg/L
Lead at pH 8.5	0.015 mg/L	0.150 mg/L	0.15mg/L ± 10%	<.001	<.001	>99.35%	97.35%	0.010 mg/L
Mercury at pH 6.5	0.002 mg/L	0.006 mg/L	.006mg/L ± -10%	0.00026	0.0005	98.72%	90.91%	0.002mg/L
Mercury at pH 8.5	0.002mg/L	0.006 mg/L	.006mg/L ± -10%	0.0008	0.0015	98.72%	75.93%	0.002mg/L
Lindane	0.0002 mg/L	0.002 mg/L	.002mg/L ± 10%	0.000025	0.00007	98.72%	96.50%	0.0002mg/L
Atrazine	0.003 mg/L	0.00873 mg/L	.009mg/L ± 10%	<.002 mg/L	<.002 mg/L	76.99%	75.31%	0.003 mg/L
Toxaphene	0.003 mg/L	0.015 mg/L	.015mg/L ± 10%	<0.001	<0.001	92.97%	91.67%	0.003mg/L

*Tested using a flow rate of 0.5 gpm; pressure of 60 psig; pH of 7.5 ± 0.5; temp of 68° ± 5°F (20° ± 3°C)

**Measurement in particles/mL. Particles used were 0.5 - 1 microns

***NTU = Nephelometric Turbidity units

Operating Specifications

Capacity:	Certified for up to 750 gallons (2,838 L); up to nine months
Pressure Requirement:	20 - 120 psi (2.8 - 8.2 bar)
Temperature:	33-100°F (0.6 - 38°C)
Flow rate:	0.78 gpm (2.9 l/min.)

Check for compliance with the state and local laws and regulations.

Note: While the testing was performed under standard laboratory conditions, actual performance may vary. Must be installed and operated in accordance with manufacturer's recommended procedures and guidelines. Installation instructions, parts and service availability, and standard warranty are included with the product when shipped. This drinking water system must be maintained according to manufacturer's instruction, including replacement of filter cartridges.

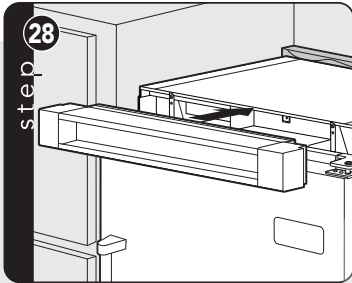
Manufactured by: Cuno, a 3M company
1000 Apollo Road
Eagan, MN 55121
(651) 450-4913



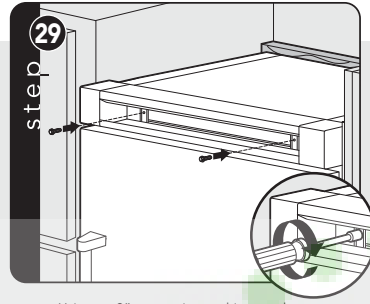
System tested and certified by NSF International against Standard 42 for the reduction of chlorine taste and odor, particulate Class I and Standard 53 for the reduction of Lead, Lindane, Atrazine, Mercury, Toxaphene, Cyst, Turbidity, and Asbestos.



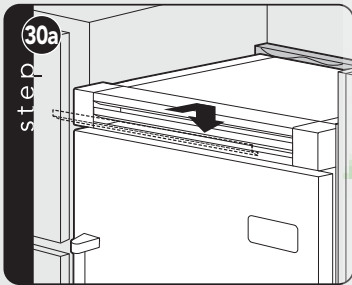
Final Installation



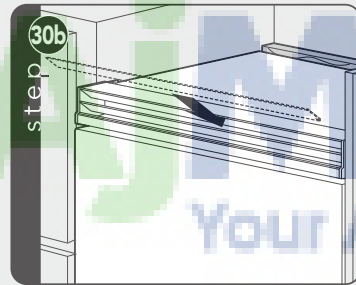
Replace top air grille.



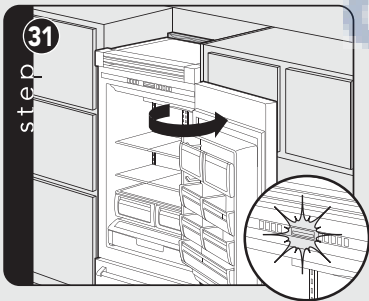
Using an 8" magnetic nut driver, replace the two 1/4" screws.



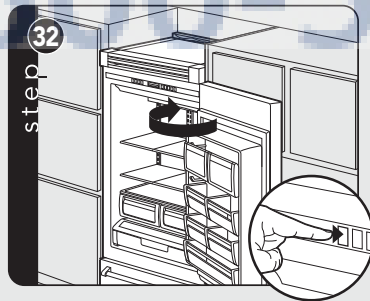
(Professional) Replace the center grille lower.



(Designer) Replace the center grille lower.

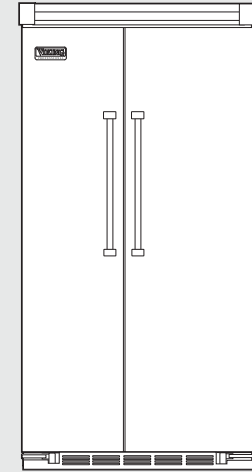


Open door. Display should flash.



Press "ACTIVATE CONTROLS" pad and close door.
NOTE: There is a 6 minute delay before the unit starts.

Performance Checklist

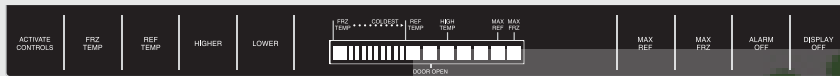


- Verify cabinet size.
 - Verify electrical supply and water supply (if applicable).
 - Install anti-tip device(s) and verify unit is secure.
 - Position unit in cutout, level at desired height and secure unit.
 - Plug-in unit and verify operation.
 - Connect water supply (if applicable).
 - Verify icemaker fill tube is properly inserted.
 - Verify icemaker bail arm is down.
 - Verify dispenser operation (if applicable).
 - Align/square door(s).
 - Verify drain pan is properly installed and no leaks on water connection.
 - Install kickplate.
 - Remove internal packaging and labels and wipe unit down.
- Installer's information:**
- Installer's name: _____
- Installer's company: _____
- Date: _____

Verify Operations

Control Panels

Bottom Mount



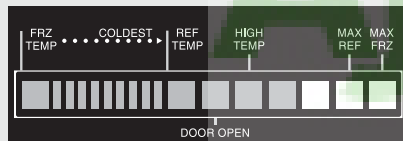
Side by Side



1. Press "Activate Controls" pad.
2. Verify unit is not in Sabbath Mode.

If in Sabbath Mode:

- A. The Sabbath Mode will disable the interior lights, display (except three blue squares) and alarm. (See picture below for visual indication of Sabbath Mode.)

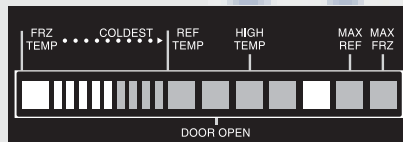


To exit the Sabbath Mode:

- B. Press and hold "Activate Controls" and then "Display Off" for 3 seconds. (The control will beep three times to alert the user the Sabbath Mode has been exited.)
3. Verify unit is not in Showroom Mode.

If in Showroom Mode:

- A. The Showroom Mode will disable the refrigerator system but all other functions are normal. These include lights and control. (See picture below for visual indication of Showroom Mode.)



To exit Showroom Mode:

- B. Press and hold "Activate Controls"; while holding, press and hold "Higher" and "Alarm Off" together. (The control will beep three times to alert the user that Showroom Mode has been exited.)
4. Press "Alarm Off" and "Display Off" at the same time and hold until beeps (force start compressor).
 5. All models need to be set at the 5th bar for Refrigerator and Freezer - factory setting.

Service & Registration

Only authorized replacement parts may be used in performing service on the appliance. Do not repair or replace any part of the appliance unless specifically recommended in the manual. All other servicing should be referred to a qualified technician.

Record the following information indicated below. You will need it if service is ever required. The serial number and model number for your appliance are located on the identification plate mounted behind the top light.

Model number

Serial number

Date of purchase

Date installed

Dealer's name

Address

