



Quiet Cool™ Built-In 36"W. Bottom-Mount Refrigerator/Freezer

Standard Features & Accessories

All models include

- Total capacity—20.4 cu. ft. (579 L)
 - Refrigerator - 15.3 cu. ft.
 - Freezer - 5.1 cu. ft.
 - 84"H./24"D.
- ProChill™ Temperature Management System
 - Variable-speed DC Overdrive™ Compressor is one of the quietest, most technologically advanced compressors available
 - Electronic controls with digital temperature readouts
 - Multi-channel airflow system and Odor Eliminator™ Evaporator removes odors and excess humidity
- Exclusive Plasmacluster™* Ion Air Purifier
 - Eliminates airborne bacteria and mold spores
 - Removes odors
 - Enhances food preservation
 - Never needs replacing
- Refrigerator Compartment
 - Five adjustable tempered glass spill-proof shelves
 - Adjustable Cold Zone™ drawer with precision ball-bearing glides
 - Separate temperature control can be set for produce or fresh meat storage
 - Quick chill option chills foods and beverages in minutes
 - Adjustable Humidity Zone™ drawers with precision ball-bearing glides
 - Humidity can be set high for leafy greens or low for fruits and vegetables with skins
 - Two conveniently located deli drawers with full-extension precision ball-bearing glides
 - Two in-the-door sealed dairy compartments with covers
 - Four patented adjustable aluminum door bins with tempered glass fronts
 - Top-shelf provides quick chill-down area
 - Full extension freezer drawer on precision ball-bearing glides
- Freezer Compartment
 - Positive self-closing feature ensures a good seal
 - Adaptive defrost
 - Two slide-out wire baskets
- Super Clog-Resistant™ Condenser is maintenance-free under normal use
- Tru-Flush™ design allows all models to fit flush into 24" deep installation cutout
- Open door alarm sounds and glows to warn that door has been ajar for three minutes
- Adjustable door stops standard—90°, 110°, or 120° swing
- Sabbath Mode
- Must be ordered right or left hinge. (As you face unit, RIGHT has hinge on right side and handle on left side; LEFT has hinge on left side and handle on right side.)

*Plasmacluster is a registered trademark of Sharp Corporation.

Model Options



VCBB5361 Professional

FDBB5361 Custom Panel

FINISH DETAILS FOR VCBB MODEL

- Stainless Steel (SS), Black (BK), White (WH), Apple Red (AR), Biscuit (BT), Burgundy (BU), Chocolate (CH), Cinnamon (CN), Cobalt Blue (CB), Cotton White (CW), Dijon (DJ), Graphite Gray (GG), Iridescent Blue (IB), Kettle Black (KB), Lemonade (LE), Mint Julep (MJ), Plum (PL), Racing Red (RR), Sage (SA), Sea Glass (SE), Stone Gray (SG), Taupe (TP), Viking Blue (VB), Wasabi (WS).
- Finish codes designate door fronts. Stainless steel upper grille, side trim, and handles (with chrome-plated brackets); black lower kickplate.
- Brass Accent Option (BR)—nameplate and handle endcaps. Brass components have a durable protective coating for maintenance-free normal use.

FINISH DETAILS FOR FDBB MODEL

- Handles not included—opt for custom handles, or purchase a Viking Professional Series handle kit (see **Installation Notes & Accessories**).
- See **Custom Panels** section for more information and additional specifications.

ORDERING INSTRUCTIONS

First specify model number, followed by hinge preference ("R" for right or "L" for left), and then color code (VCBB5361**RSS**). If ordering optional brass accent, specify code at end (VCBB5361**RSSBR**).





REFRIGERATION

Quiet Cool™ Built-In 36" W. Bottom-Mount Refrigerator/Freezer



★ Please see Installation Notes & Accessories for important information, including panel, grille, and handle kits.

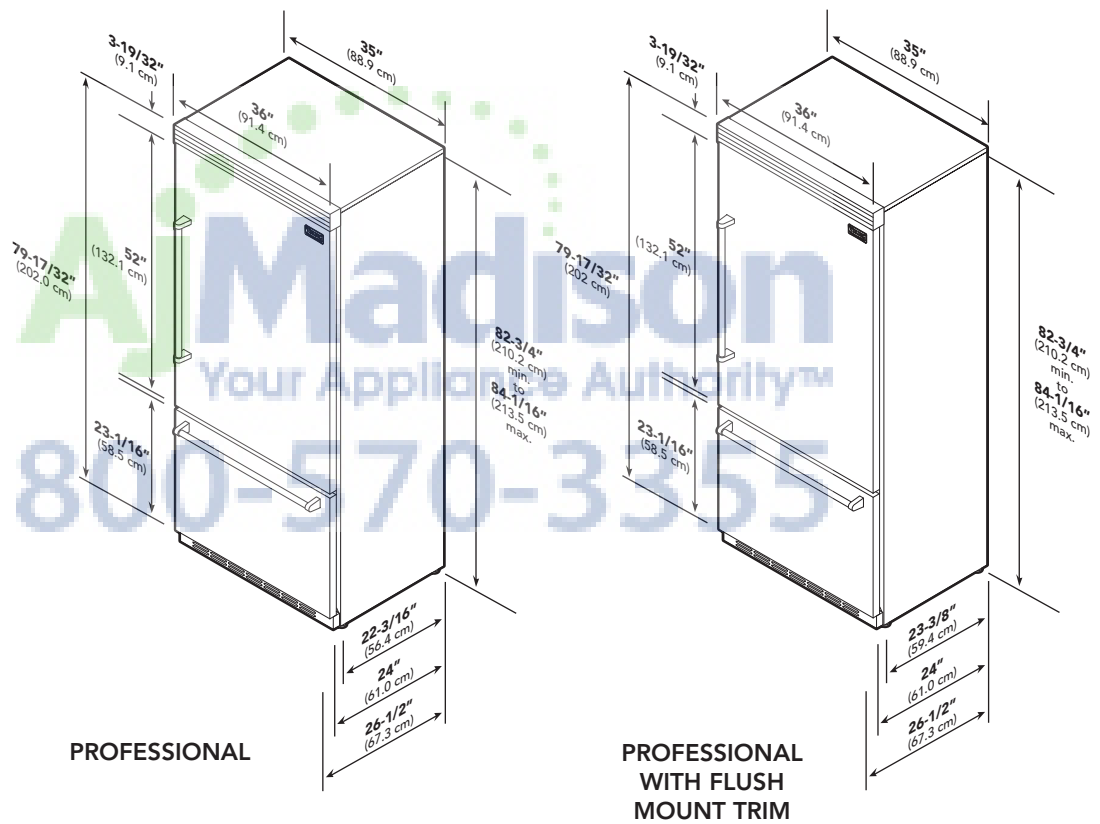
★ ALL MODELS
Star-K Kosher Certification for use on the Jewish Sabbath or Jewish holidays

Dimensions & Specifications

PRODUCT DIMENSIONS



VCBB5361 Professional



	VCBB5361	VCBB5361/Flush Mount
Overall width	36" (91.4 cm)	
Overall height (from bottom)	82-3/4" (210.2 cm) min. to 84-1/16" (213.5 cm) max.	
Overall depth (from rear)		
To front edge of side trim	22-3/16" (56.4 cm)	23-3/8" (59.4 cm)
To front of top grille	24" (61.0 cm)	24" (61.0 cm)
To front of handle	26-1/2" (67.3 cm)	26-1/2" (67.3 cm)
Approx. ship weight	565 lbs. (254.3 kg)	





Quiet Cool™ Built-In 36"W. Bottom-Mount Refrigerator/Freezer

Dimensions & Specifications

PRODUCT DIMENSIONS

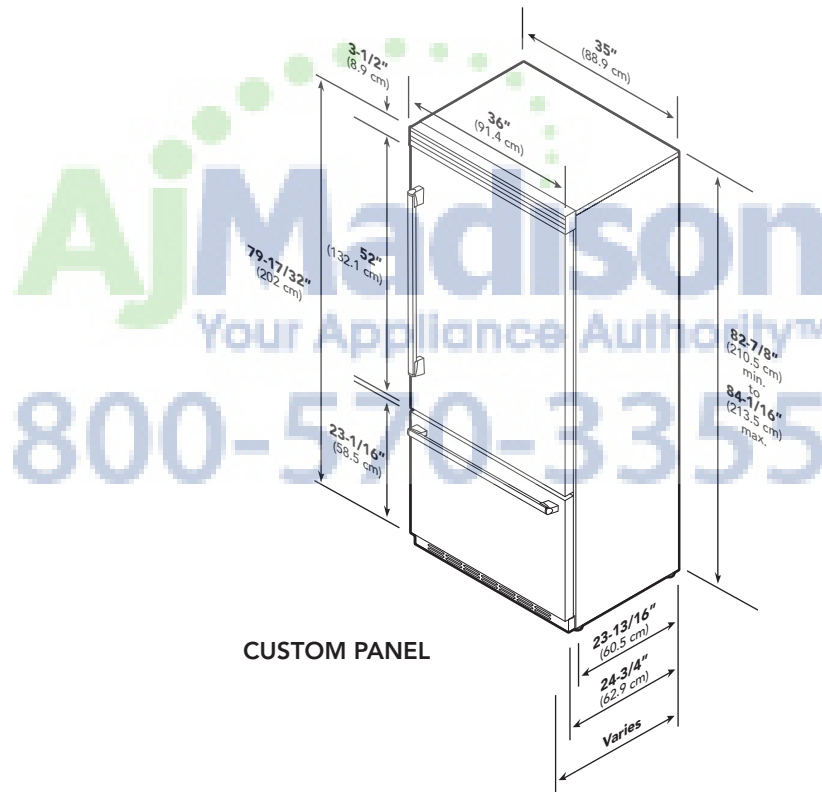


FDBB5361
Custom Panel

See **Custom Panels** section for more information and additional specifications.

★ Please see **Installation Notes & Accessories** for important information, including panel, grille, and handle kits.

★ ALL MODELS
Star-K Kosher Certification for use on the Jewish Sabbath or Jewish holidays



CUSTOM PANEL

FDBB5361	
Overall width	36" (91.4 cm)
Overall height (from bottom)	82-7/8" (210.5 cm) min. to 84-1/16" (213.5 cm) max.
Overall depth (from rear)	
To front edge of side trim	23-13/16" (60.5 cm)
To front of top grille	24-3/4" (62.9 cm)
To front of handle	Varies
Approx. ship weight	500 lbs. (227.3 kg)





REFRIGERATION

Quiet Cool™ Built-In 36" W. Bottom-Mount Refrigerator/Freezer



Dimensions & Specifications

DOOR SWING

- Adjustable door stops standard—90°, 110°, or 120° swing

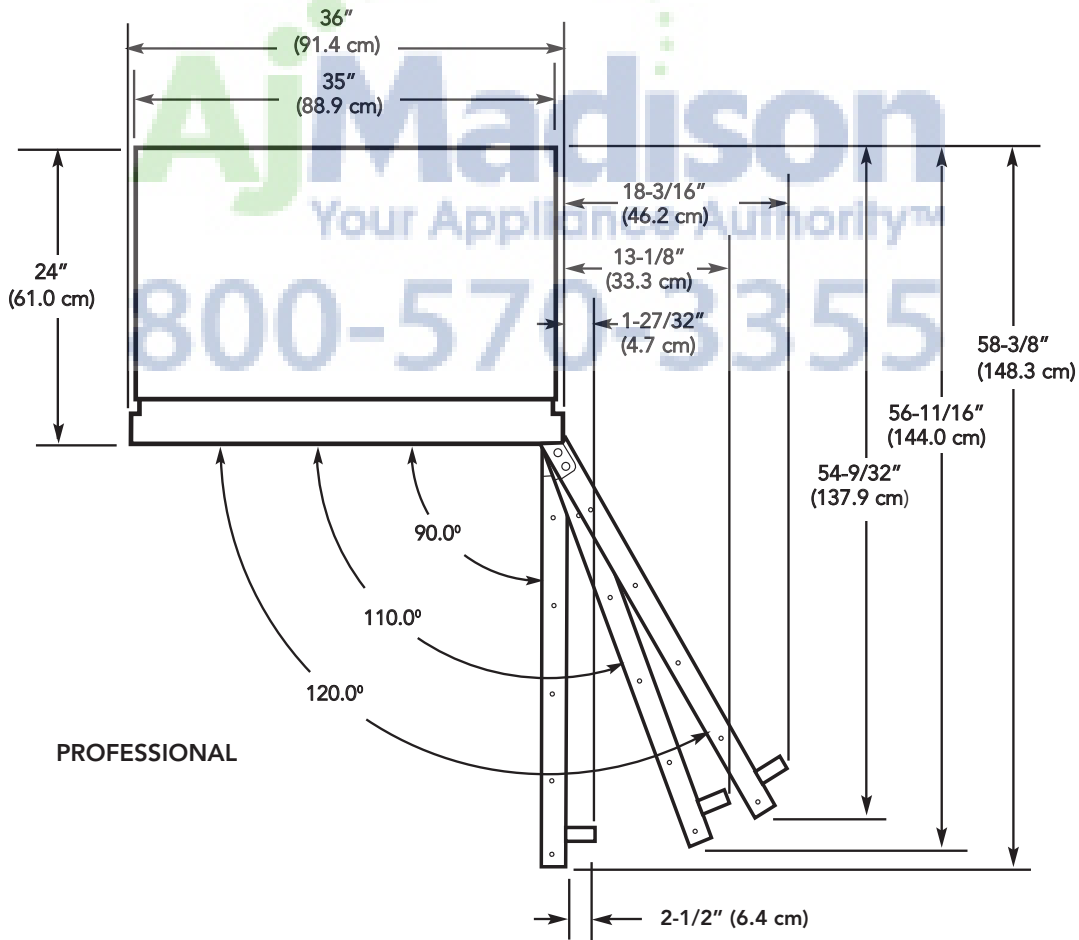


VCB5361
Professional



FDB5361
Custom Panel

See **Custom Panels** section for more information and additional specifications.





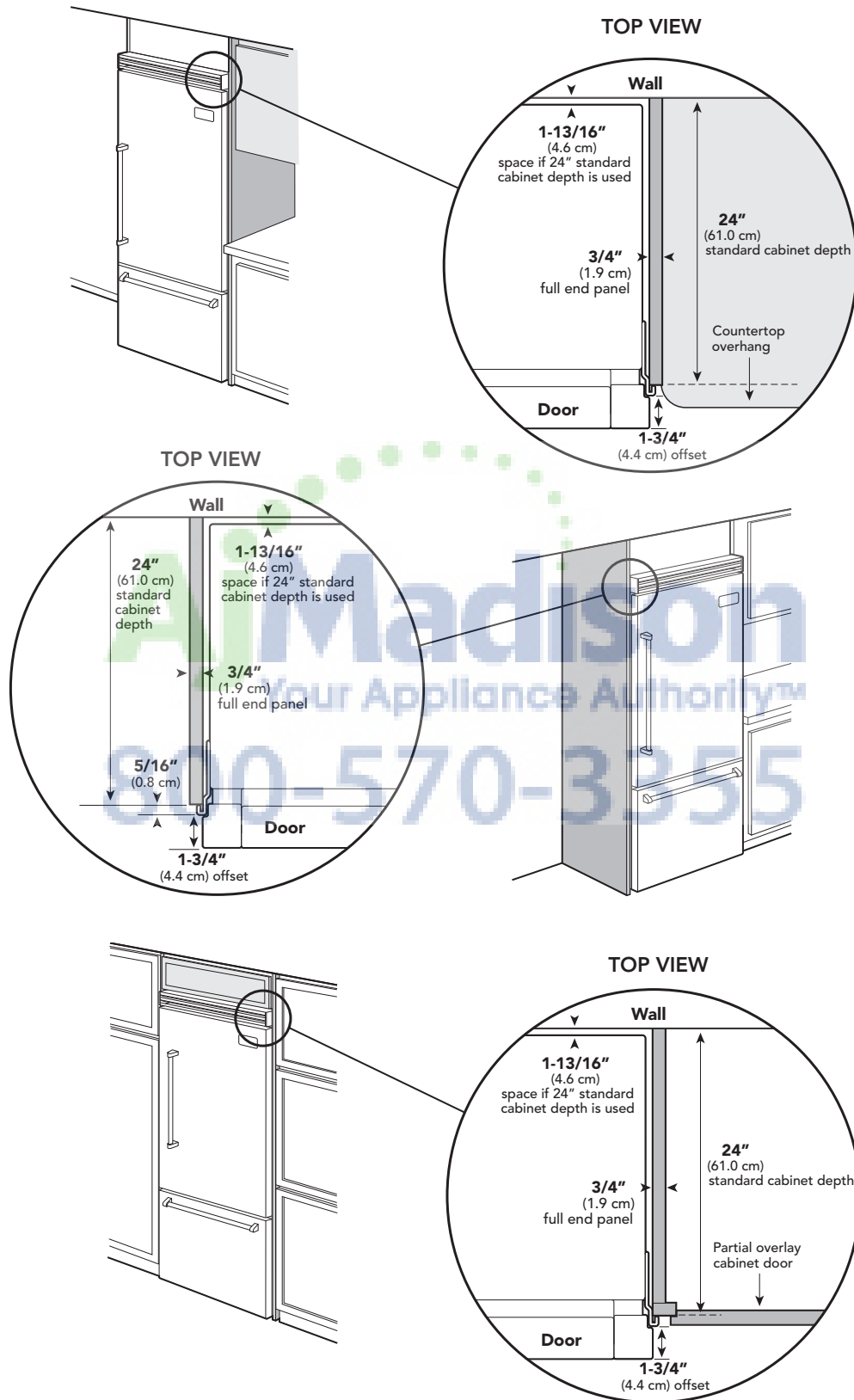
REFRIGERATION

Quiet Cool™ Built-In 36" W. Bottom-Mount Refrigerator/Freezer



Dimensions & Specifications

CLEARANCE DIMENSIONS—PROFESSIONAL





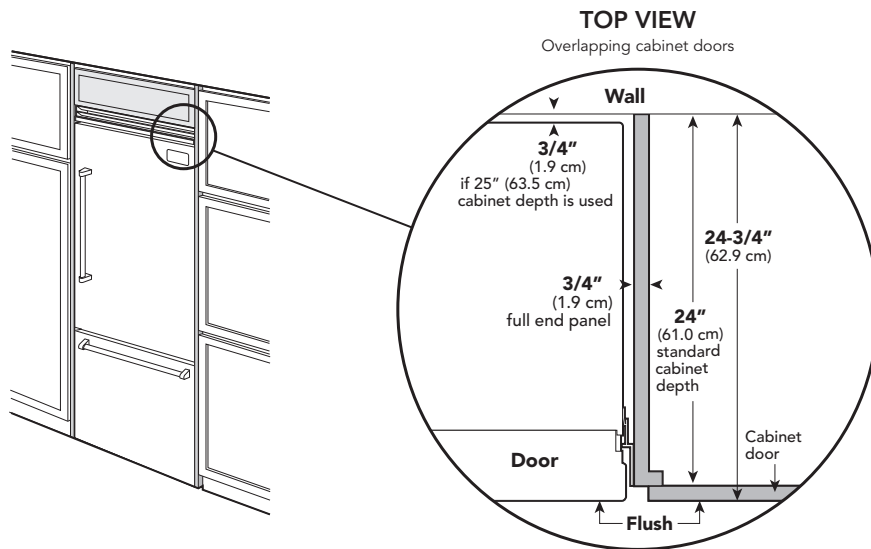
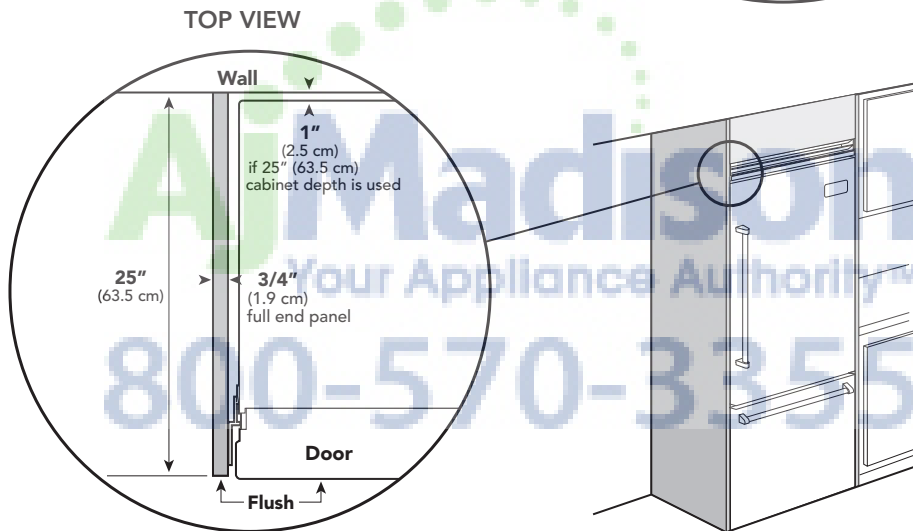
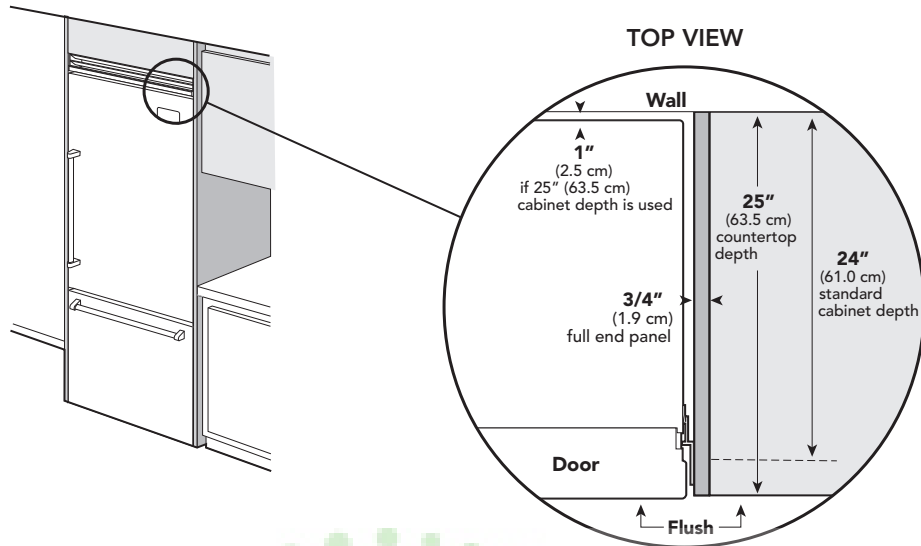
REFRIGERATION

Quiet Cool™ Built-In 36" W. Bottom-Mount Refrigerator/Freezer



Dimensions & Specifications

CLEARANCE DIMENSIONS—PROFESSIONAL WITH FLUSH MOUNT TRIM





REFRIGERATION

Quiet Cool™ Built-In 36"W. Bottom-Mount Refrigerator/Freezer



UTILITY REQUIREMENTS



GAS
Not applicable



- ELECTRICAL**
- Three-wire cord with grounded three-prong plug attached to product
 - 115 VAC/60 Hz; 15 amp dedicated circuit
 - Maximum amp usage—9.9
 - Estimated energy usage—568 kWh/year



- PLUMBING**
- Inlet waterline requirements—1/4" copper tubing
 - 20 psi min.; 120 psi max.

Installation Requirements

ACCESS REQUIREMENTS

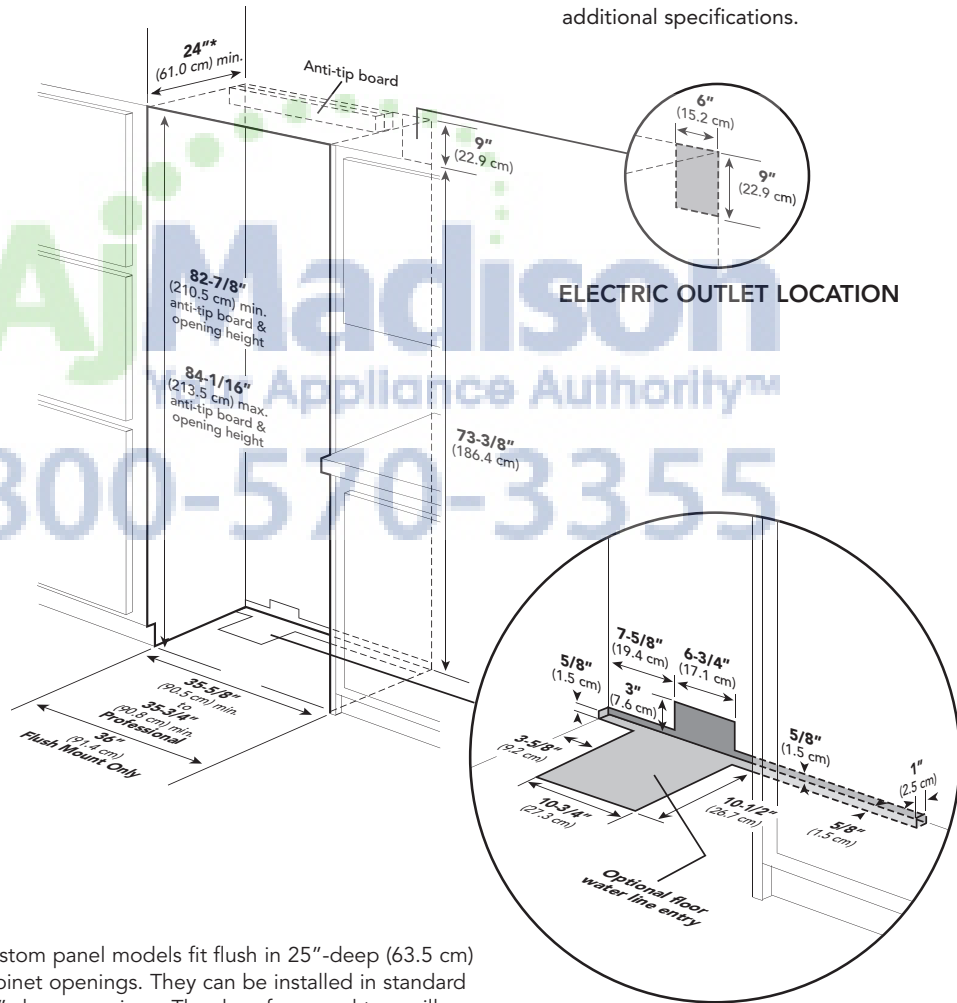


VCBB5361
Professional



FDBB5361
Custom Panel

See **Custom Panels** section for more information and additional specifications.



*Custom panel models fit flush in 25"-deep (63.5 cm) cabinet openings. They can be installed in standard 24"-deep openings. The door faces and top grille will protrude 3/4" (1.9 cm) into the room.

	VCBB5361	VCBB5361/Flush Mount	FDBB5361
Cutout width	35-5/8" (90.5 cm) min. to 35-3/4" (90.8 cm) max.	36" (91.4 cm)	36" (91.4 cm)
Cutout height	82-7/8" (210.5 cm) min. to 84-1/16" (213.5 cm) max.		
Cutout depth	24" (61.0 cm) min.*		





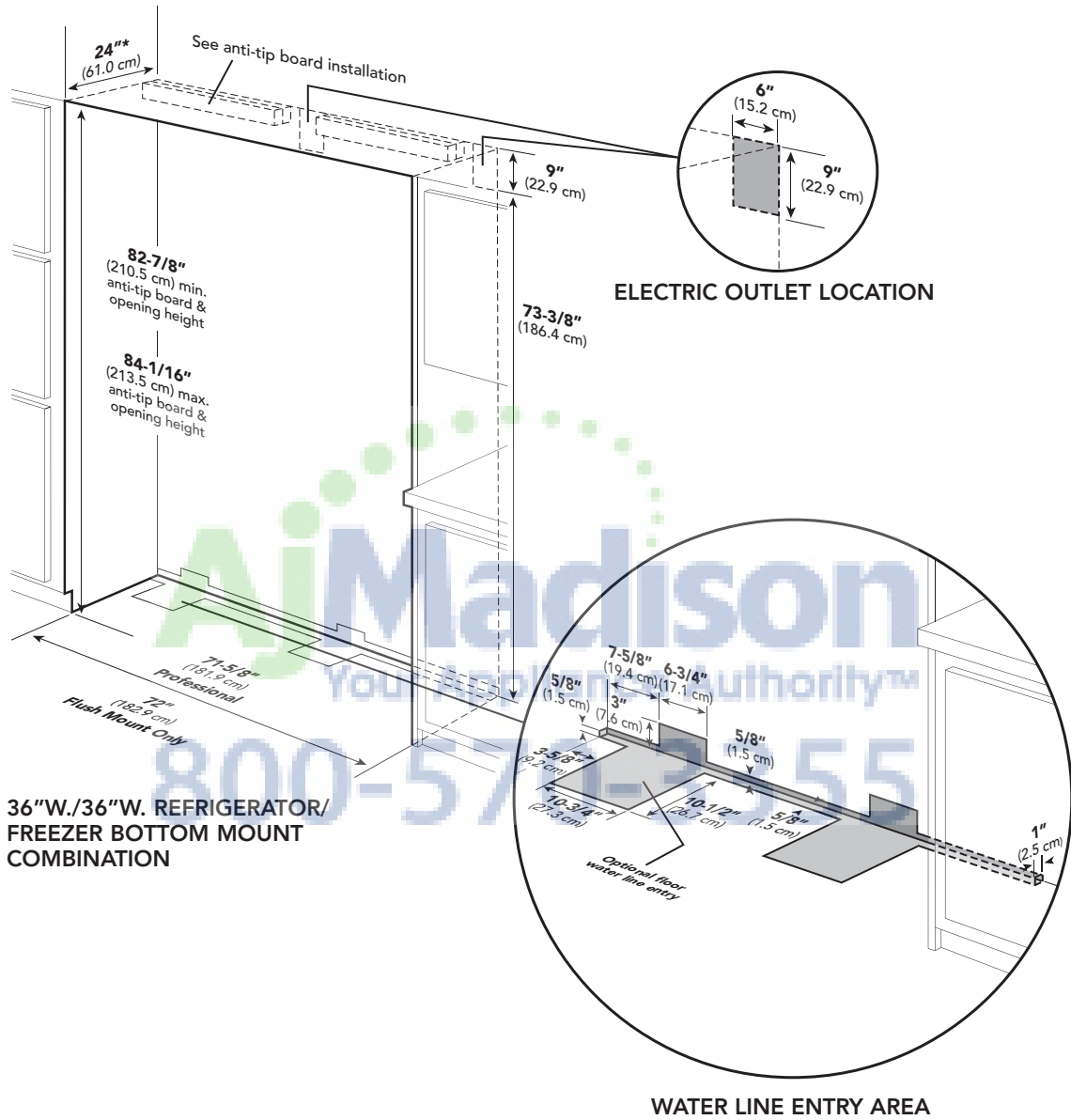
REFRIGERATION

Quiet Cool™ Built-In 36"W. Bottom-Mount Refrigerator/Freezer



Installation Requirements

ACCESS REQUIREMENTS – Dual Installation



*Custom panel models fit flush in 25"-deep (63.5 cm) cabinet openings. They can be installed in standard 24"-deep openings. The door faces and top grille will protrude 3/4" (1.9 cm) into the room.

	VCBB5361/VCBB5361	VCBB5361/VCBB5361 Flush Mount	FDBB5361/FDBB5361
Cutout width	71-5/8" (181.9 cm)	72" (182.9 cm)	72" (182.9 cm)
Cutout height	82-7/8" (210.5 cm) min. to 84-1/16" (213.5 cm) max.		
Cutout depth	24" (61.0 cm) min.*		





REFRIGERATION

Quiet Cool™ Built-In 36"W. Bottom-Mount Refrigerator/Freezer



✦ Installation Notes & Accessories

Side Panel Kits

- Stainless Steel (SS)
- Panels provide finished, freestanding look; unit must still be secured to the wall
- Kit includes one panel and installation hardware

Model	Description	Approx. ship wt. lbs. (kg)
PSSPL3	Professional side panel left - Standard Mount	45 (20.2)
PSSPR3	Professional side panel right - Standard Mount	45 (20.2)
DSSPL3	Designer side panel left - Flush Mount	45 (20.2)
DSSPR3	Designer side panel right - Flush Mount	45 (20.2)

Side Panel Hardware Kit

- For use with custom panel built-in refrigerator/freezers
- Hardware allows installation of custom side panels
- Kit includes brackets, screws, and installation instructions to mount panels on left and right side

Model	Description	Approx. ship wt. lbs. (kg)
SPHKDS	Side panel hardware kit	3 (1.4)

Top Panel Kit

- Stainless Steel (SS)
- Panel provides finished, freestanding look; unit must still be secured to the wall
- Kit includes one panel and installation hardware

Model	Description	Approx. ship wt. lbs. (kg)
TOP-36	36"W. top panel	22 (10.0)

Top Grille Kits

- Stainless Steel (SS)
- For use with installation of two 36"W. bottom-mount refrigerator/freezers
- Grille creates a single unit look
- Kit includes one full-length grille, center cabinet trim connector, and grill installation hardware

Model	Description	Approx. ship wt. lbs. (kg)
DDBRTGK72-SS	72"W. grille (for two VCBB/FDBB units)	25 (11.3)

Handle Kits

- For use with custom panel refrigerator/freezers
- For use on locally supplied custom panels
- Handles allow refrigerator/freezers with custom panels to coordinate with other Professional products
- Kit includes two handles and installation hardware

Model	Description	Approx. ship wt. lbs. (kg)
PHK-DFBB-SS	Professional handles (Stainless Steel)	10 (4.5)

Compliance Information



WARRANTY SUMMARY*

- Three-year full warranty—complete unit
- Six-year full warranty—sealed refrigeration system
- Twelve-year limited warranty—sealed refrigeration system (includes compressor, condenser, dryer/strainer, evaporator, and connecting tubing)
- Ninety-day limited warranty—cosmetic parts such as glass, painted, and decorative items

* For complete warranty see *Use & Care Guide*. Warranty valid on Viking products shipped within the United States and Canada.

