



Standard Features & Accessories

All models include

- Capacity—22.8 cu. ft. (645.2 L)
 - 84"H./24"D.
- ProChill™ Temperature Management System
 - Variable-speed DC Overdrive™ Compressor is one of the quietest, most technologically advanced compressors available
 - Electronic controls maintain the temperature selection within 1°F
 - Multi-channel airflow system and Odor Eliminator™ Evaporator removes odors and excess humidity
- Adjustable Cold Zone™ drawer with precision ball-bearing glides
 - Separate temperature control can be set for produce or fresh meat storage
 - Quick chill option chills foods and beverages in minutes
- Adjustable Humidity Zone™ drawers with precision ball-bearing glides
 - Humidity can be set high for leafy greens or low for fruits and vegetables with skins
- Six adjustable tempered glass spillproof shelves (four half-width, two full-width)
- Two conveniently located deli drawers with full-extension precision ball-bearing glides
- Two in-the-door sealed dairy compartments with covers
- Five patented adjustable aluminum door bins with tempered glass fronts (two half-width, three full-width)
- Top-shelf provides quick chill-down area
- Super Clog-Resistant™ Condenser is maintenance-free under normal use
- Tru-Flush™ design
 - Allows Professional Integrated and Custom Panel models to fit flush into 24" deep installation cutout
- Open door alarm sounds and glows to warn that door has been ajar for three minutes
- Adjustable door stops standard—90°, 110°, or 120° swing
- Sabbath Mode
- For installation of two units side-by-side, a separate grille kit accessory must be purchased
- Must be ordered right or left hinge. (As you face unit, RIGHT has hinge on right side and handle on left side; LEFT has hinge on left side and handle on right side.)

Model Options



VCRB536/VIRB536

Professional/Professional Integrated

FINISH DETAILS FOR VCRB/VIRB MODELS

- Stainless Steel (SS), Black (BK), White (WH), Metallic Silver (MS), Graphite Gray (GG), Stone Gray (SG), Taupe (TP), Biscuit (BT), Cotton White (CW), Oyster Gray (OG), Golden Mist (GM), Lemonade (LE), Sage (SA), Mint Julep (MJ), Sea Glass (SE), Iridescent Blue (IB), Viking Blue (VB), Pumpkin (PM), Racing Red (RR), Apple Red (AR), Burgundy (BU), Plum (PL), Chocolate (CH), and Cobalt Blue (CB).
- Finish codes designate door front. Stainless steel upper grille, side trim, and handle (with chrome-plated brackets); black lower kickplate.
- Brass Trim Option (BR)—nameplate, handle/brackets, and side trim. Brass components have a durable protective coating for maintenance-free normal use.



DFRB536

Custom Front

FINISH DETAILS FOR DFRB MODEL

- Handle not included—opt for custom handle, or purchase a Viking Professional Series or Designer Series handle kit (see **Installation Notes & Accessories**).
- See **Custom Panels** section for more information and additional specifications.

ORDERING INSTRUCTIONS

First specify model number, followed by hinge preference ("R" for right or "L" for left), and then color code (VCRB536**RSS**). If ordering optional brass trim, specify code at end (VCRB536**RSSBR**).





REFRIGERATION

Quiet Cool™ Built-In 36" W. All Refrigerator



★ Please see Installation Notes & Accessories for important information, including panel, grille, trim, and handle kits.

Dimensions & Specifications

PRODUCT DIMENSIONS

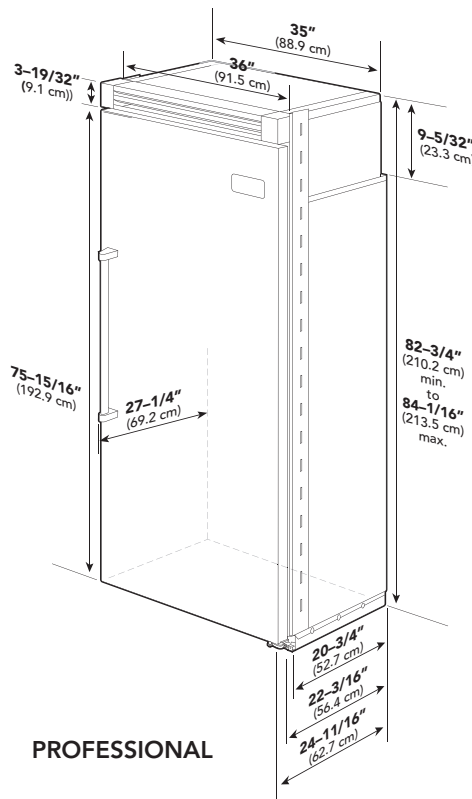


VCRB536/VIRB536
Professional/
Professional Integrated

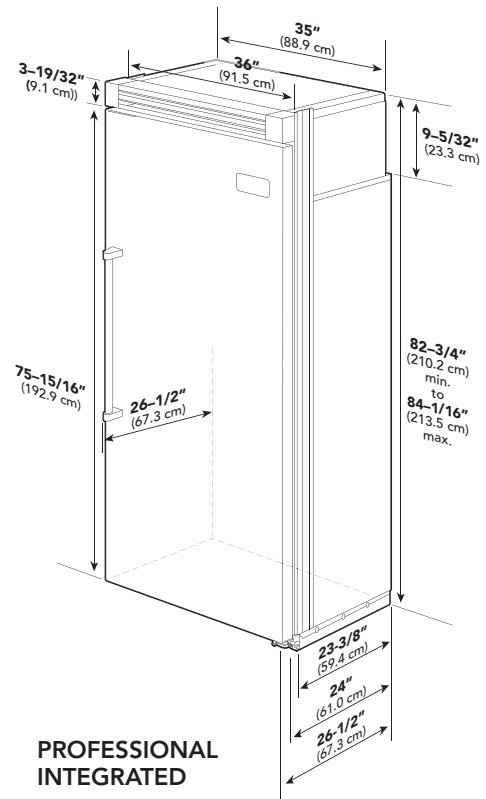


ALL MODELS

Star-K Kosher Certification for use on the Jewish Sabbath or Jewish holidays



PROFESSIONAL



PROFESSIONAL INTEGRATED

	VCRB536	VIRB536
Overall width	36" (91.5 cm)	
Overall height (from bottom)	82-3/4" (210.2 cm) min. to 84-1/16" (213.5 cm) max.	
Overall depth (from rear)		
To front edge of side trim	22-3/16" (56.4 cm)	23-3/8" (59.4 cm)
To front of top grille	24-11/16" (62.7 cm)	24" (61.0 cm)
To front of handle	27-1/4" (69.2 cm)	26-1/2" (67.3 cm)
Approx. ship weight	500 lbs. (227.3 kg)	





VIKING
DESIGNER

REFRIGERATION

Quiet Cool™ Built-In 36"W. All Refrigerator



★ Please see **Installation Notes & Accessories** for important information, including panel, grille, trim, and handle kits.



ALL MODELS

Star-K Kosher Certification for use on the Jewish Sabbath or Jewish holidays

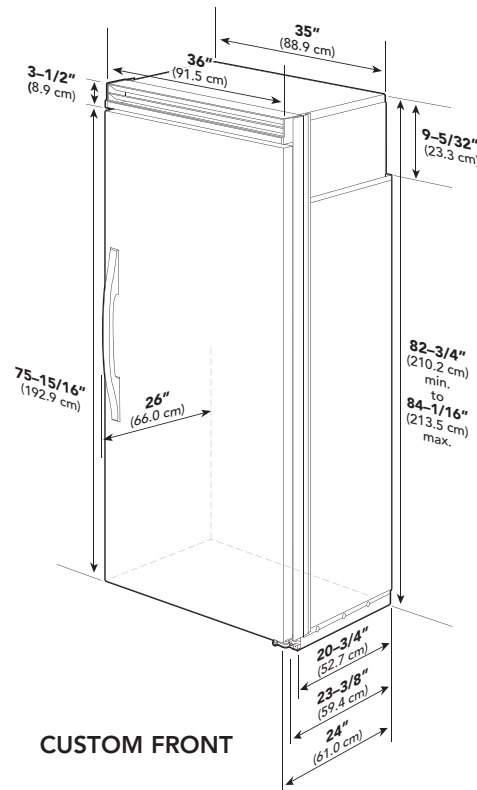
Dimensions & Specifications

PRODUCT DIMENSIONS



DFRB536
Custom Front

See **Custom Panels** section for more information and additional specifications.



CUSTOM FRONT

DFRB536	
Overall width	36" (91.5 cm)
Overall height (from bottom)	82-7/8" (210.5 cm) min. to 84-1/16" (213.5 cm) max.
Overall depth (from rear)	23-13/16" (60.5 cm)
To front edge of side trim	24-3/4" (62.9 cm)
To front of top grille	24" (61.0 cm)
To front of handle	Varies
Approx. ship weight	500 lbs. (227.3 kg)





REFRIGERATION

Quiet Cool™ Built-In 36" W. All Refrigerator



Dimensions & Specifications

DOOR SWING

- Adjustable door stops standard—90°, 110°, or 120° swing

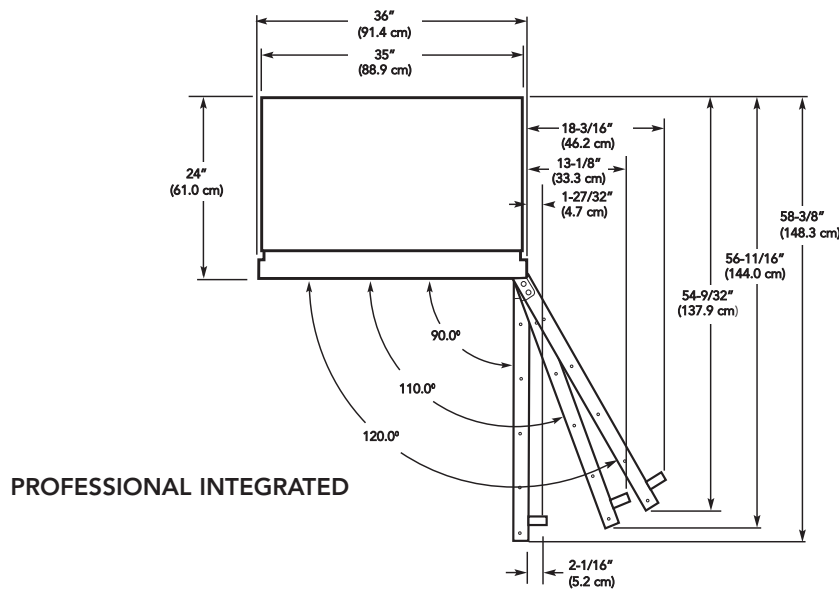
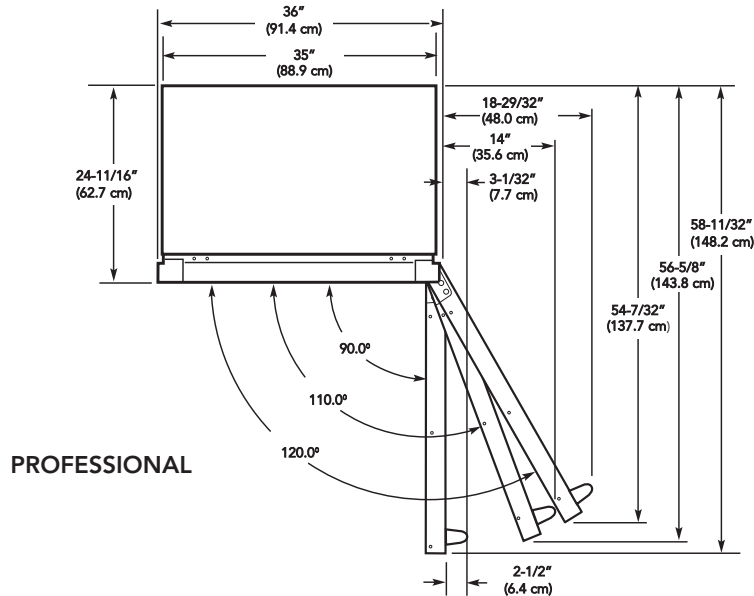


VCRB536/VIRB536
Professional/
Professional Integrated



DFRB536
Custom Front

See **Custom Panels** section for more information and additional specifications.





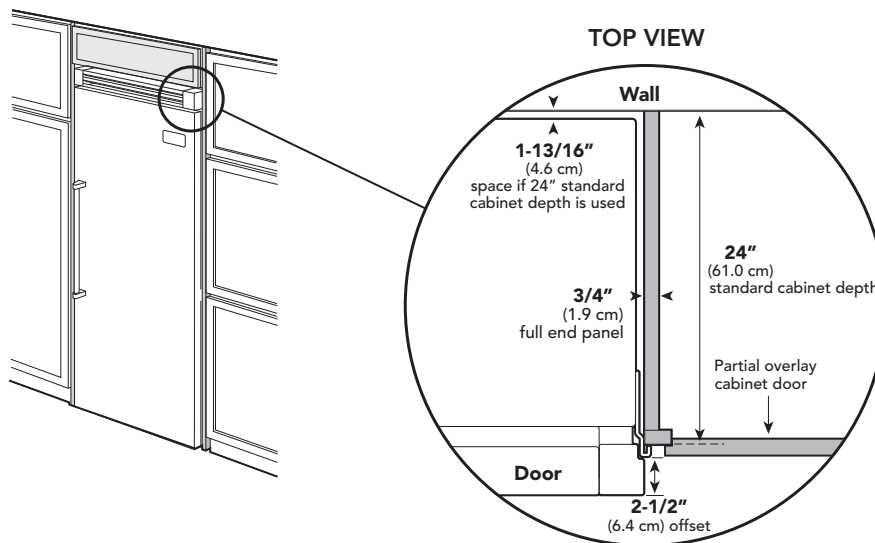
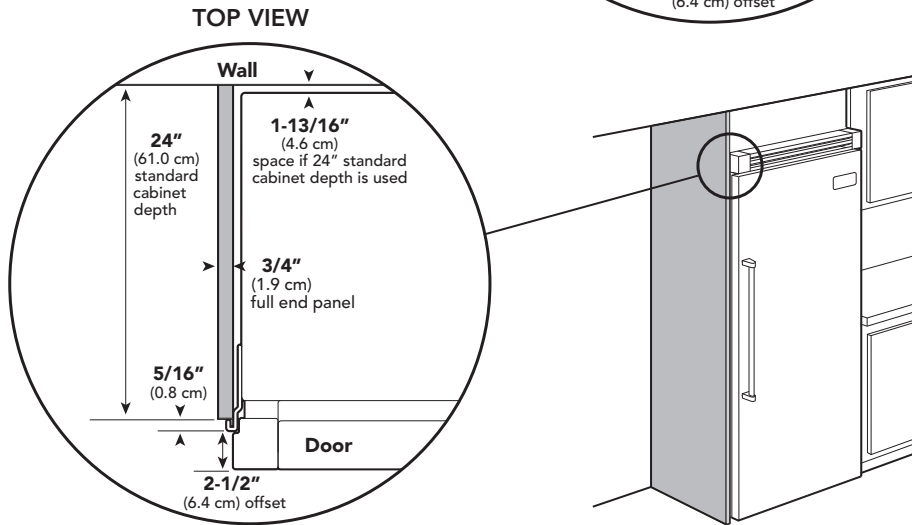
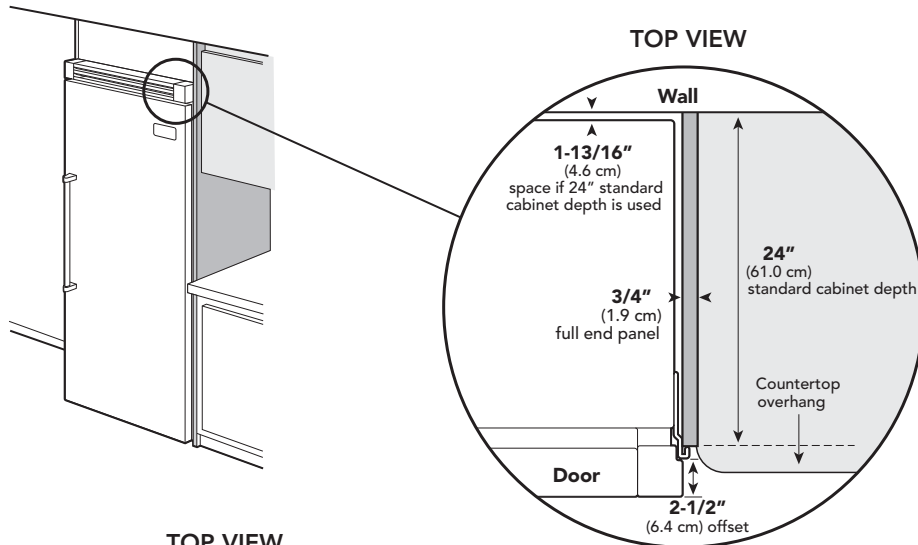
REFRIGERATION

Quiet Cool™ Built-In 36"W. All Refrigerator



Dimensions & Specifications

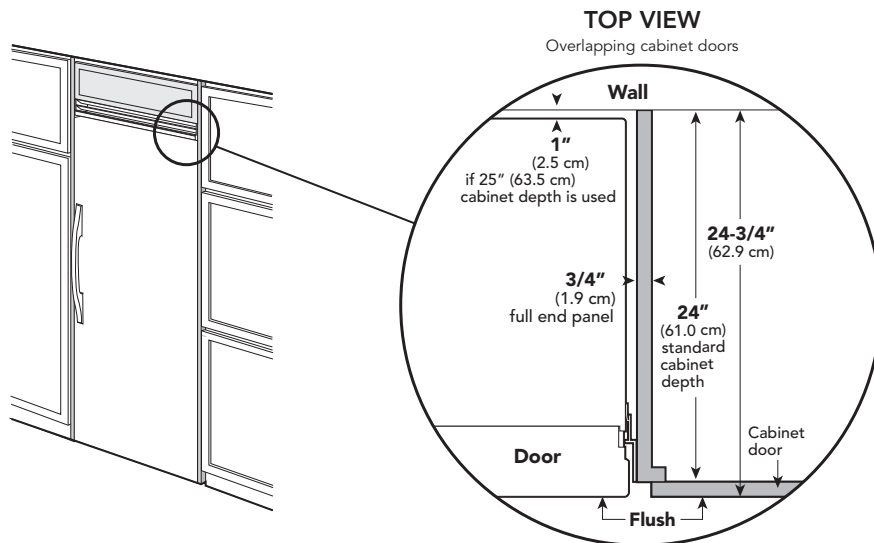
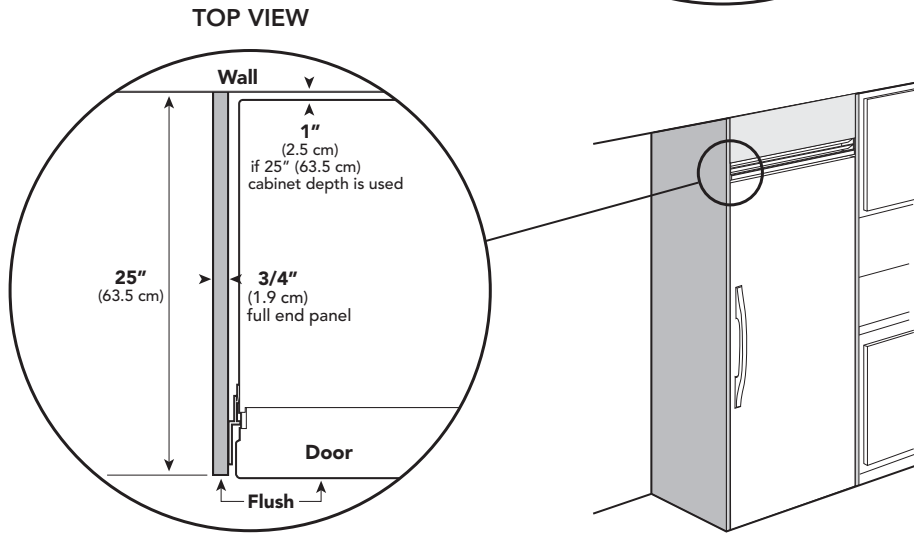
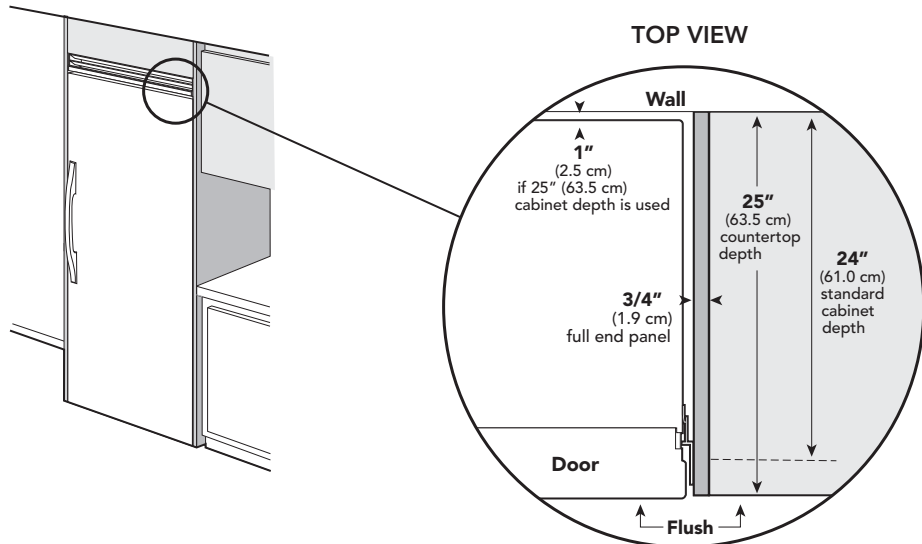
CLEARANCE DIMENSIONS—PROFESSIONAL





Dimensions & Specifications

CLEARANCE DIMENSIONS—PROFESSIONAL INTEGRATED





REFRIGERATION

Quiet Cool™ Built-In 36"W. All Refrigerator



UTILITY REQUIREMENTS



GAS
Not applicable



ELECTRICAL

- Three-wire cord with grounded three-prong plug attached to product
- 115 VAC/60 Hz; 15 amp dedicated circuit
- Maximum amp usage—6.5
- Estimated energy usage—449 kWh/year



PLUMBING
Not applicable

Installation Requirements

ACCESS REQUIREMENTS – Single Installation

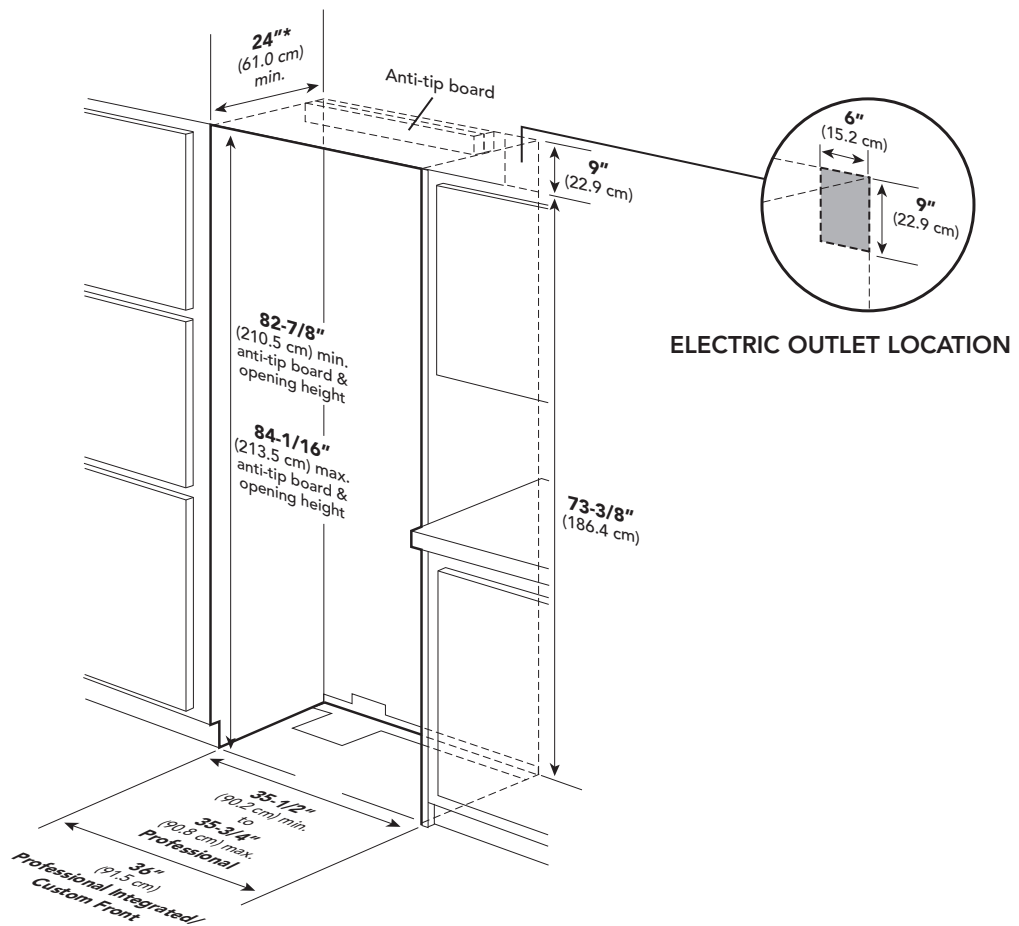


VCRB536/VIRB536
Professional/
Professional Integrated



DFRB536
Custom Front

See Custom Panels section for more information and additional specifications.



*Custom front models fit flush in 25"-deep (63.5 cm) cabinet openings. They can be installed in standard 24"-deep openings. The door faces and top grille will protrude 3/4" (1.9 cm) into the room.

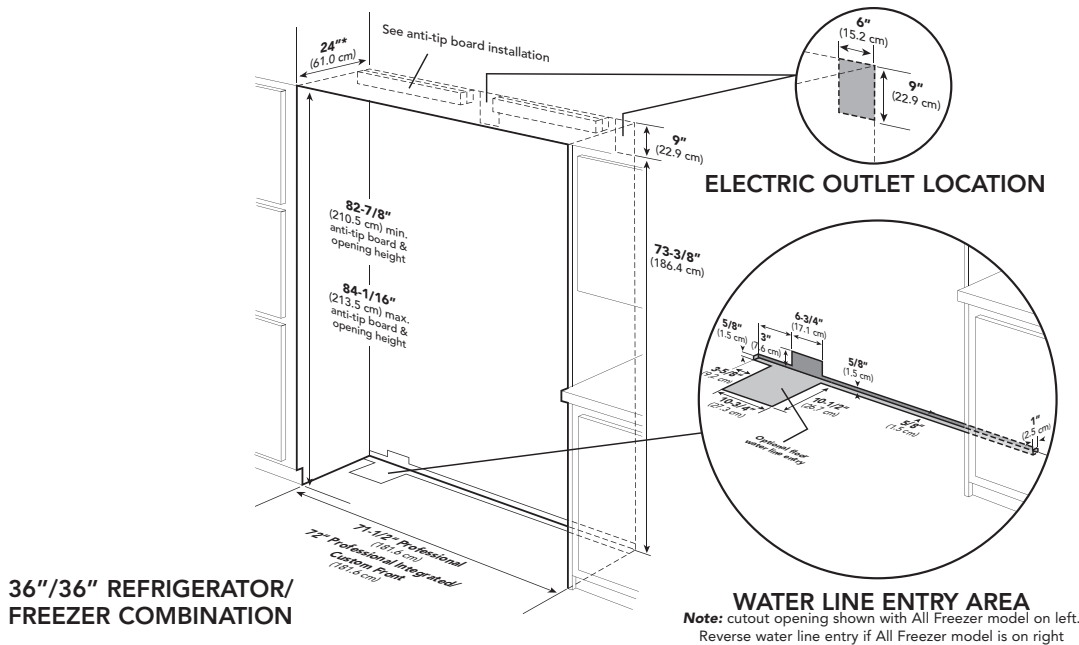
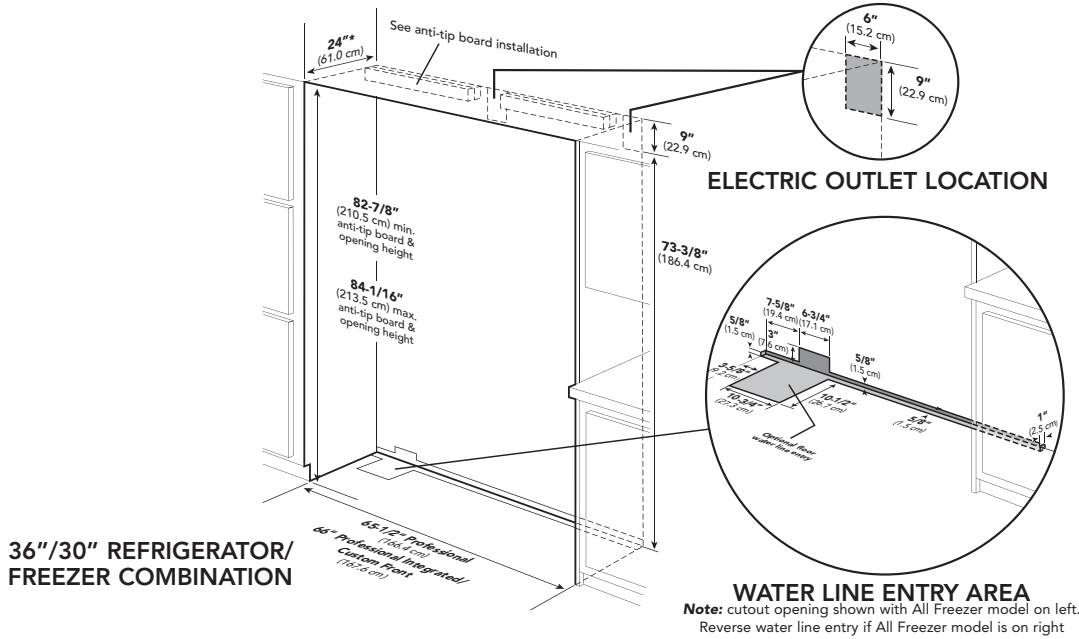
	VCRB536	VIRB536	DFRB536
Cutout width	35-1/2" (90.2 cm) min. to 35-3/4" (90.8 cm) max.	36" (91.5 cm)	36" (91.5 cm)
Cutout height	82-7/8" (210.5 cm) min. to 84-1/16" (213.5 cm) max.		
Cutout depth	24" (61.0 cm) min.*		





Installation Requirements

ACCESS REQUIREMENTS – Dual Installation



*Custom front models fit flush in 25"-deep (63.5 cm) cabinet openings. They can be installed in standard 24"-deep openings. The door faces and top grille will protrude 3/4" (1.9 cm) into the room.

	VCRB536/VCFB530	VIRB536/VIFB530	DFRB536/DFFB530
Cutout width	65-1/2" (166.4 cm)	66" (167.6 cm)	66" (167.6 cm)
Cutout height	82-7/8" (210.5 cm) min. to 84-1/16" (213.5 cm) max.		
Cutout depth	24" (61.0 cm) min.*		

	VCRB536/VCFB536	VIRB536/VIFB536	DFRB536/DFFB536
Cutout width	71-1/2" (181.6 cm)	72" (182.9 cm)	72" (182.9 cm)
Cutout height	82-7/8" (210.5 cm) min. to 84-1/16" (213.5 cm) max.		
Cutout depth	24" (61.0 cm) min.*		



★ Installation Notes & Accessories

Side Panel Kits

- Stainless Steel (SS)
- Panels provide finished, freestanding look; unit must still be secured to the wall
- Kit includes one panel and installation hardware

Model	Description	Approx. ship wt. lbs. (kg)
PSSPL2	Professional side panel left (VCRB)	45 (20.2)
PSSPR2	Professional side panel right (VCRB)	45 (20.2)
DSSPL2	Designer side panel left (VIRB/DFRB)	45 (20.2)
DSSPR2	Designer side panel right (VIRB/DFRB)	45 (20.2)

Side Panel Hardware Kit

- For use with Designer built-in refrigerator/freezers
- Hardware allows installation of custom side panels
- Kit includes brackets, screws, and installation instructions to mount panels on left and right side

Model	Description	Approx. ship wt. lbs. (kg)
SPHKDS	Side panel hardware	3 (1.4)

Top Panel Kit

- Stainless Steel (SS)
- Panel provides finished, freestanding look; unit must still be secured to the wall
- Kit includes one panel and installation hardware

Model	Description	Approx. ship wt. lbs. (kg)
TOP-36	36"W. top panel	22 (10.0)

Top Grille Kits

- Stainless Steel (SS)
- 66"W. top grille kit—for use with installation of one 36"W. and one 30"W. all refrigerators/all freezers side-by-side
- 72"W. top grille kit—for use with installation of two 36"W. all refrigerators/all freezers side-by-side
- Grille creates a single unit look
- Kit includes one full-length grille, center cabinet trim connector, and all installation hardware

Model	Description	Approx. ship wt. lbs. (kg)
PGK66-SS	Professional 66"W. grille (for two VCRB/VCFB units)	23 (10.4)
PGK72-SS	Professional 72"W. grille (for two VCRB/VCFB units)	25 (11.3)
IGK66-SS	Professional Integrated 66"W. grille (for two VIRB/VIFB units)	23 (10.4)
IGK72-SS	Professional Integrated 72"W. grille (for two VIRB/VIFB units)	25 (11.3)
DGK66-SS	Designer 66"W. grille (for two DFRB/DFFB units)	23 (10.4)
DGK72-SS	Designer 72"W. grille (for two DFRB/DFFB units)	25 (11.3)

Center Trim Kit

- Stainless Steel (SS)
- Kit includes cabinet trim connector to install two custom front units with wood top grille

Model	Description	Approx. ship wt. lbs. (kg)
FCTK-SS	Center trim	5 (2.3)





REFRIGERATION

Quiet Cool™ Built-In 36"W. All Refrigerator



Handle Kits

- For use with custom front refrigerators
- For use on locally supplied custom front panels
- Handles allow refrigerator/freezers with custom front panel to coordinate with other Professional and Designer products
- Kit includes handle(s) and installation hardware

Model	Description	Approx. ship wt. lbs. (kg)
PHK28-SS	Professional one handle (Stainless Steel)	7 (3.2)
PHK28-BR	Professional one handle (Brass)	7 (3.2)
DHK25-SS	Designer one handle (Stainless Steel)	7 (3.2)
DHK25-BR	Designer one handle Brass	7 (3.2)
PHKDFSB5-SS	Professional two handles Stainless Steel	10 (4.5)
PHKDFSB5-BR	Professional two handles (Brass)	10 (4.5)
HKFDS-SS	Designer two handles (Stainless Steel)	10 (4.5)
HKFDS-BR	Designer two handles (Brass)	10 (4.5)

Compliance Information



WARRANTY SUMMARY*

- Two-year full warranty—complete unit
- Six-year full warranty—sealed refrigeration system and automatic ice maker
- Twelve-year limited warranty—sealed refrigeration system (includes compressor, condenser, dryer/strainer, evaporator, and connecting tubing)
- Ninety-day limited warranty—cosmetic parts such as glass, painted, and decorative items

* For complete warranty see *Use & Care Guide*. Warranty valid on Viking products shipped within the United States and Canada.

