



## Quiet Cool™ Built-In 30"W. All Refrigerator

### Standard Features & Accessories

#### All models include

- Capacity—18.4 cu. ft. (522 L)
  - 84"H./24"D.
- ProChill™ Temperature Management System
  - Variable-speed DC Overdrive™ Compressor is one of the quietest, most technologically advanced compressors available
  - Electronic controls with digital temperature readouts
  - Multi-channel airflow system and Odor Eliminator™ Evaporator removes odors and excess humidity
- **Exclusive** Plasmacluster™ Ion Air Purifier
  - Eliminates airborne bacteria and mold spores
  - Removes odors
  - Enhances food preservation
  - Never needs replacing
- Adjustable Cold Zone™ drawer with precision ball-bearing glides
  - Separate temperature control can be set for produce or fresh meat storage
  - Quick chill option chills foods and beverages in minutes
- Adjustable Humidity Zone™ drawers with precision ball-bearing glides
  - Humidity can be set high for leafy greens or low for fruits and vegetables with skins
- Four adjustable, full-width, tempered glass spillproof shelves
- Two conveniently located deli drawers with full-extension precision ball-bearing glides
- Two in-the-door sealed dairy compartments with covers
- Four patented adjustable aluminum door bins with tempered glass fronts
- Top-shelf provides quick chill-down area
- Super Clog-Resistant™ Condenser is maintenance-free under normal use
- Tru-Flush™ design allows all models to fit flush into 24" deep installation cutout
- Open door alarm sounds and glows to warn that door has been ajar for three minutes
- Adjustable door stops standard—90°, 110°, or 120° swing
- Sabbath Mode
- For installation of two units side-by-side, a separate grille kit accessory must be purchased
- Must be ordered right or left hinge. (As you face unit, RIGHT has hinge on right side and handle on left side; LEFT has hinge on left side and handle on right side.)

### Model Options



VCRB5301 Professional

FDRB5301 Custom Panel

#### FINISH DETAILS FOR VCRB MODEL

- Stainless Steel (SS), Black (BK), White (WH), Apple Red (AR), Biscuit (BT), Burgundy (BU), Chocolate (CH), Cinnamon (CN), Cobalt Blue (CB), Cotton White (CW), Dijon (DJ), Graphite Gray (GG), Iridescent Blue (IB), Kettle Black (KB), Lemonade (LE), Mint Julep (MJ), Plum (PL), Racing Red (RR), Sage (SA), Sea Glass (SE), Stone Gray (SG), Taupe (TP), Viking Blue (VB), Wasabi (WS).
- Finish codes designate door front. Stainless steel upper grille, side trim, and handle (with chrome-plated brackets); black lower kickplate.
- Brass Accent Option (BR)—nameplate and handle endcaps. Brass components have a durable protective coating for maintenance-free normal use.

#### FINISH DETAILS FOR FDRB MODEL

- Handle not included—opt for custom handle, or purchase a Viking Professional Series Series handle kit (see **Installation Notes & Accessories**).
- See **Custom Panels** section for more information and additional specifications.

#### ORDERING INSTRUCTIONS

First specify model number, followed by hinge preference ("R" for right or "L" for left), and then color code (VCRB5301**RSS**). If ordering optional brass accent, specify code at end (VCRB5301**RSSBR**).





★ Please see Installation Notes & Accessories for important information, including panel, grille, trim, and handle kits.



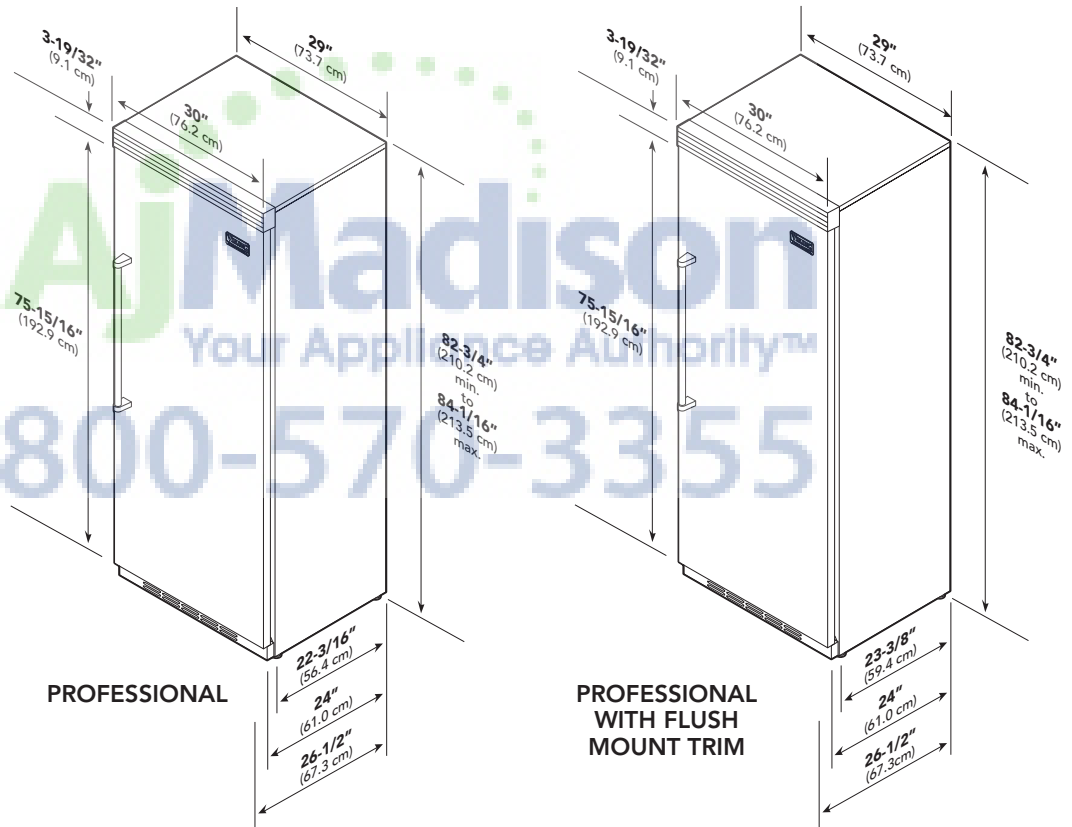
Star-K Kosher Certification for use on the Jewish Sabbath or Jewish holidays

### Dimensions & Specifications

#### PRODUCT DIMENSIONS



VCRB5301 Professional



	VCRB5301	VCRB5301/Flush Mount
Overall width	30" (76.2 cm)	
Overall height (from bottom)	82-3/4" (210.2 cm) min. to 84-1/16" (213.5 cm) max.	
Overall depth (from rear)		
To front edge of side trim	22-3/16" (56.4 cm)	23-3/8" (59.4 cm)
To front of top grille	24" (61.0 cm)	24" (61.0 cm)
To front of handle	26-1/2" (67.3 cm)	26-1/2" (67.3 cm)
Approx. ship weight	425 lbs. (193.2 kg)	





★ Please see Installation Notes & Accessories for important information, including panel, grille, trim, and handle kits.



Star-K Kosher Certification for use on the Jewish Sabbath or Jewish holidays

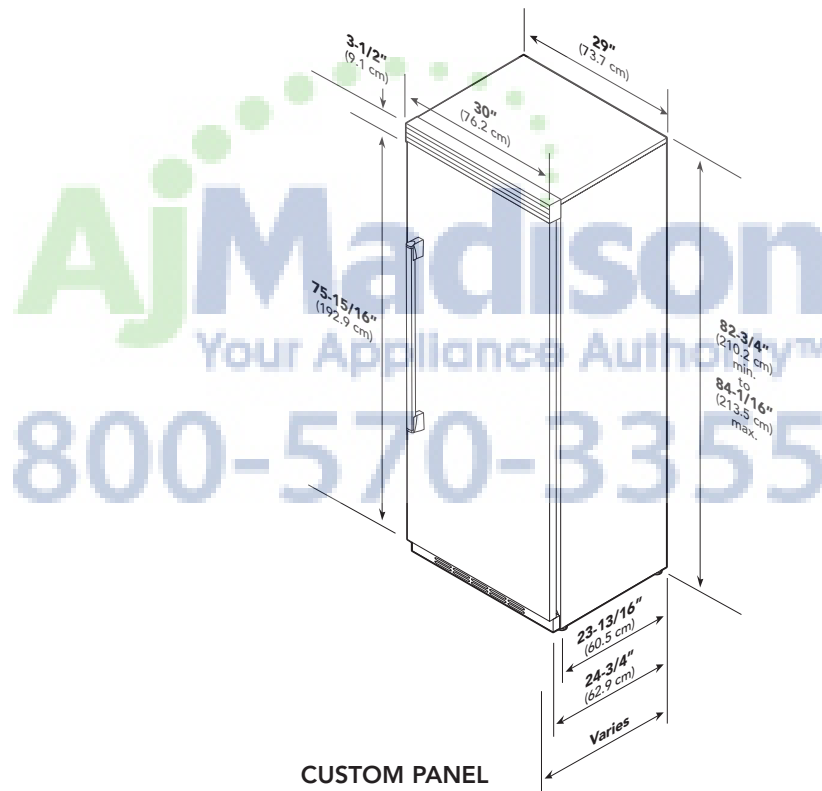
### Dimensions & Specifications

#### PRODUCT DIMENSIONS



FDRB5301 Custom Panel

See Custom Panels section for more information and additional specifications.



CUSTOM PANEL

FDRB5301	
Overall width	30" (76.2 cm)
Overall height (from bottom)	82-3/4" (210.2 cm) min. to 84-1/16" (213.5 cm) max.
Overall depth (from rear)	
To front edge of side trim	23-13/16" (60.5 cm)
To front of top grille	24-3/4" (62.9 cm)
To front of handle	Varies
Approx. ship weight	425 lbs. (193.2 kg)





# REFRIGERATION

## Quiet Cool™ Built-In 30"W. All Refrigerator



### Dimensions & Specifications

#### DOOR SWING

- Adjustable door stops standard—90°, 110°, or 120° swing

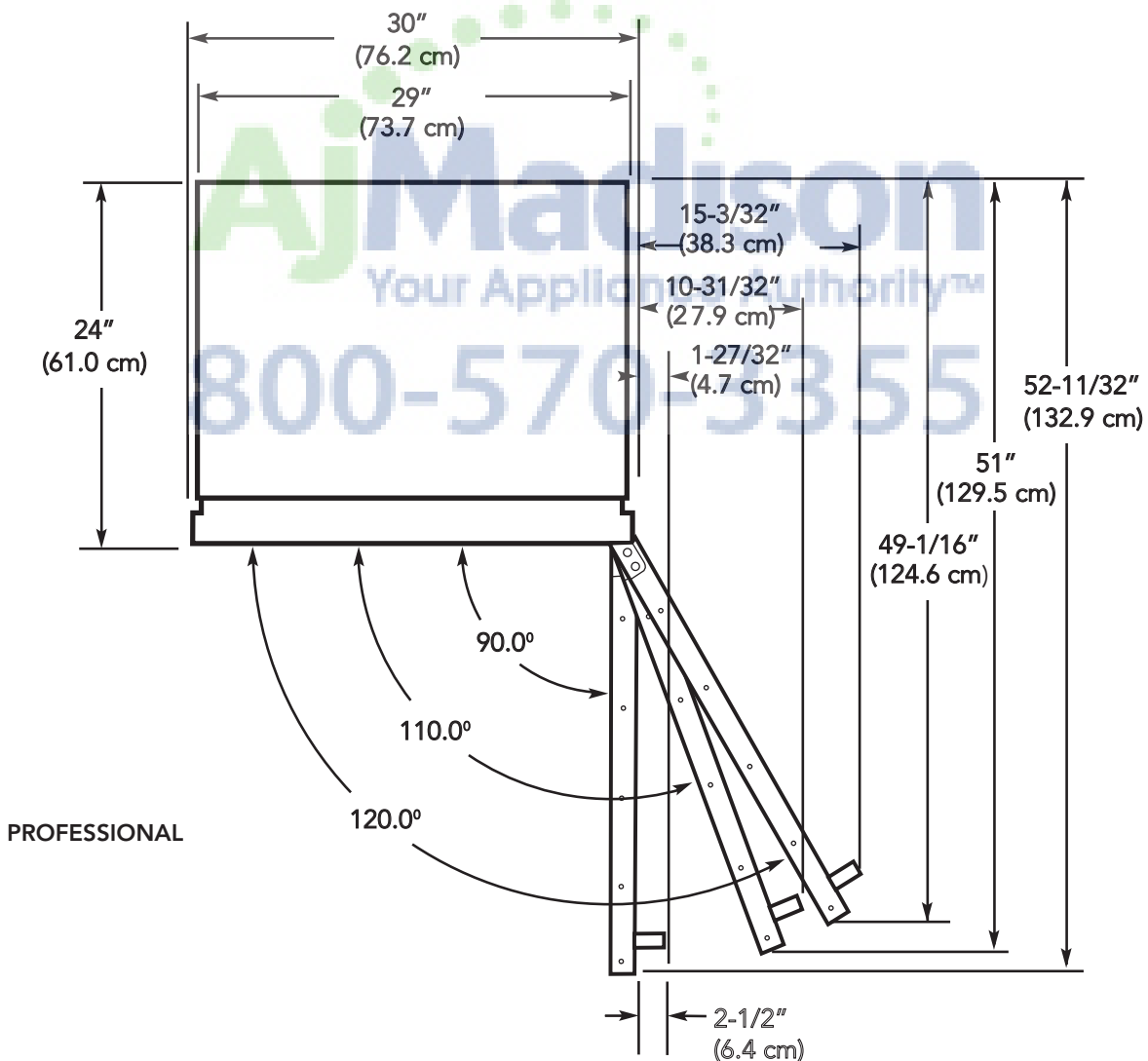


VCRB5301  
Professional



FDRB5301  
Custom Panel

See **Custom Panels** section for more information and additional specifications.





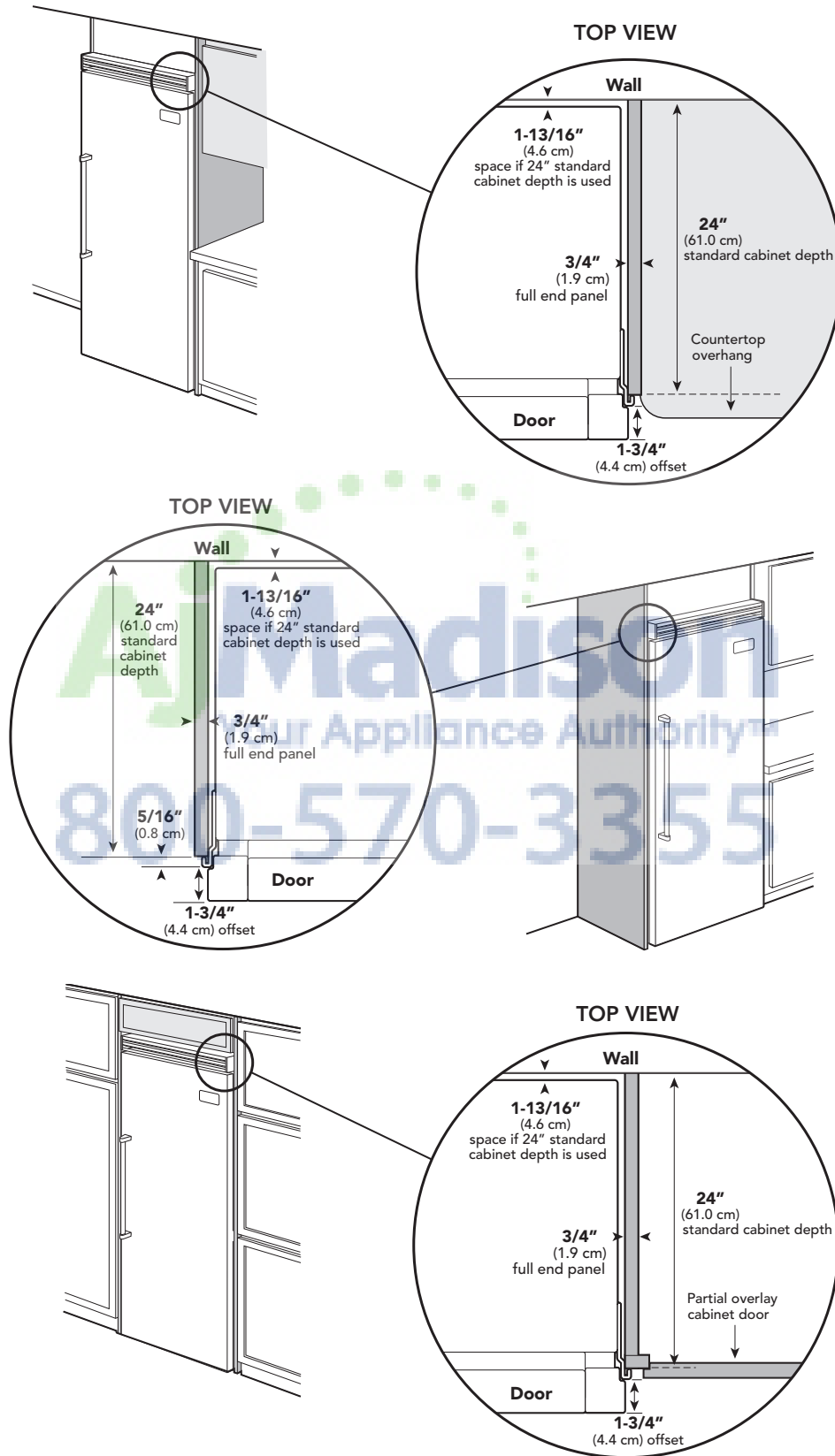
# REFRIGERATION

## Quiet Cool™ Built-In 30"W. All Refrigerator



### Dimensions & Specifications

#### CLEARANCE DIMENSIONS—PROFESSIONAL





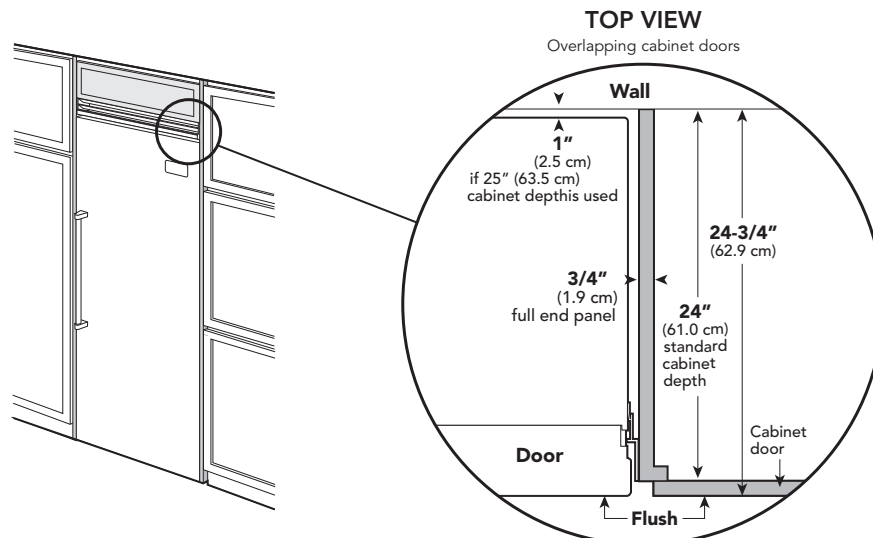
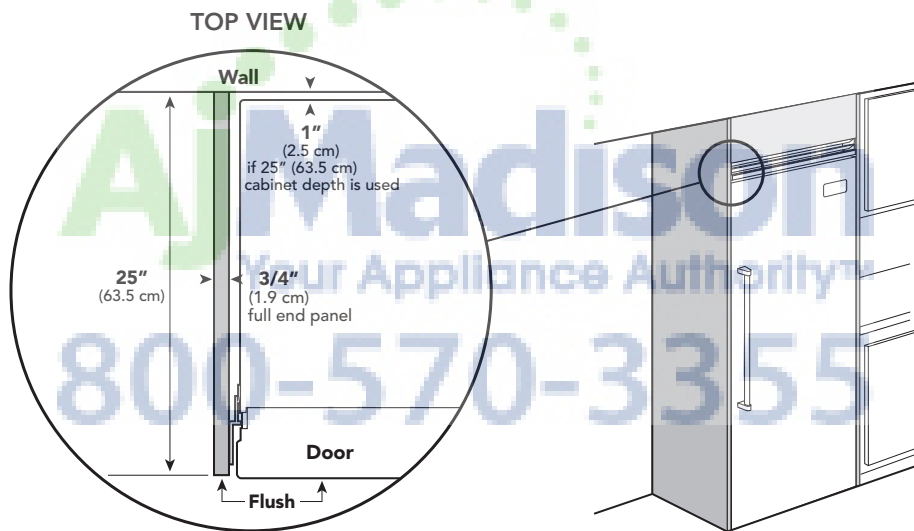
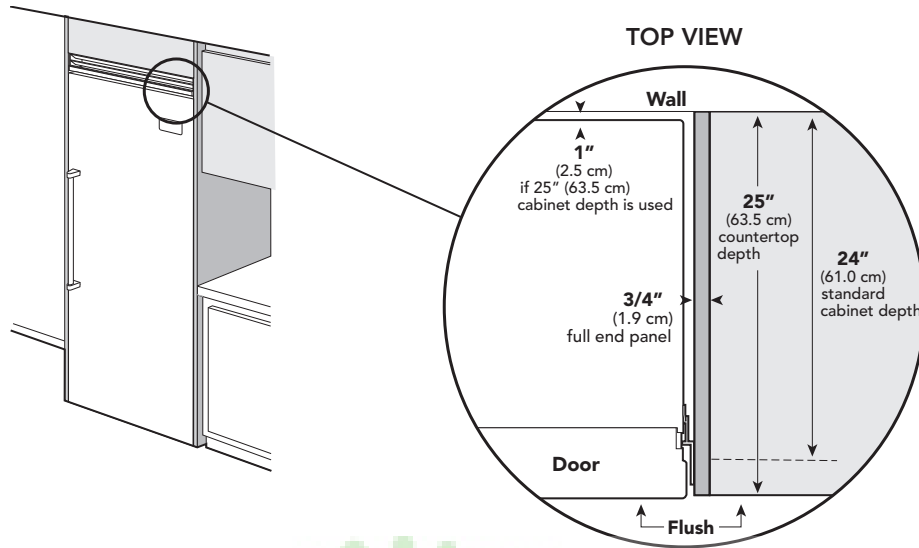
# REFRIGERATION

## Quiet Cool™ Built-In 30"W. All Refrigerator



### Dimensions & Specifications

#### CLEARANCE DIMENSIONS—PROFESSIONAL WITH FLUSH MOUNT TRIM





# REFRIGERATION

## Quiet Cool™ Built-In 30"W. All Refrigerator



### UTILITY REQUIREMENTS



**GAS**  
Not applicable



- ELECTRICAL**
- Three-wire cord with grounded three-prong plug attached to product
  - 115 VAC/60 Hz; 15 amp dedicated circuit
  - Maximum amp usage—5.7
  - Estimated energy usage—456 kWh/year



**PLUMBING**  
Not applicable

## Installation Requirements

ACCESS REQUIREMENTS – Single Installation

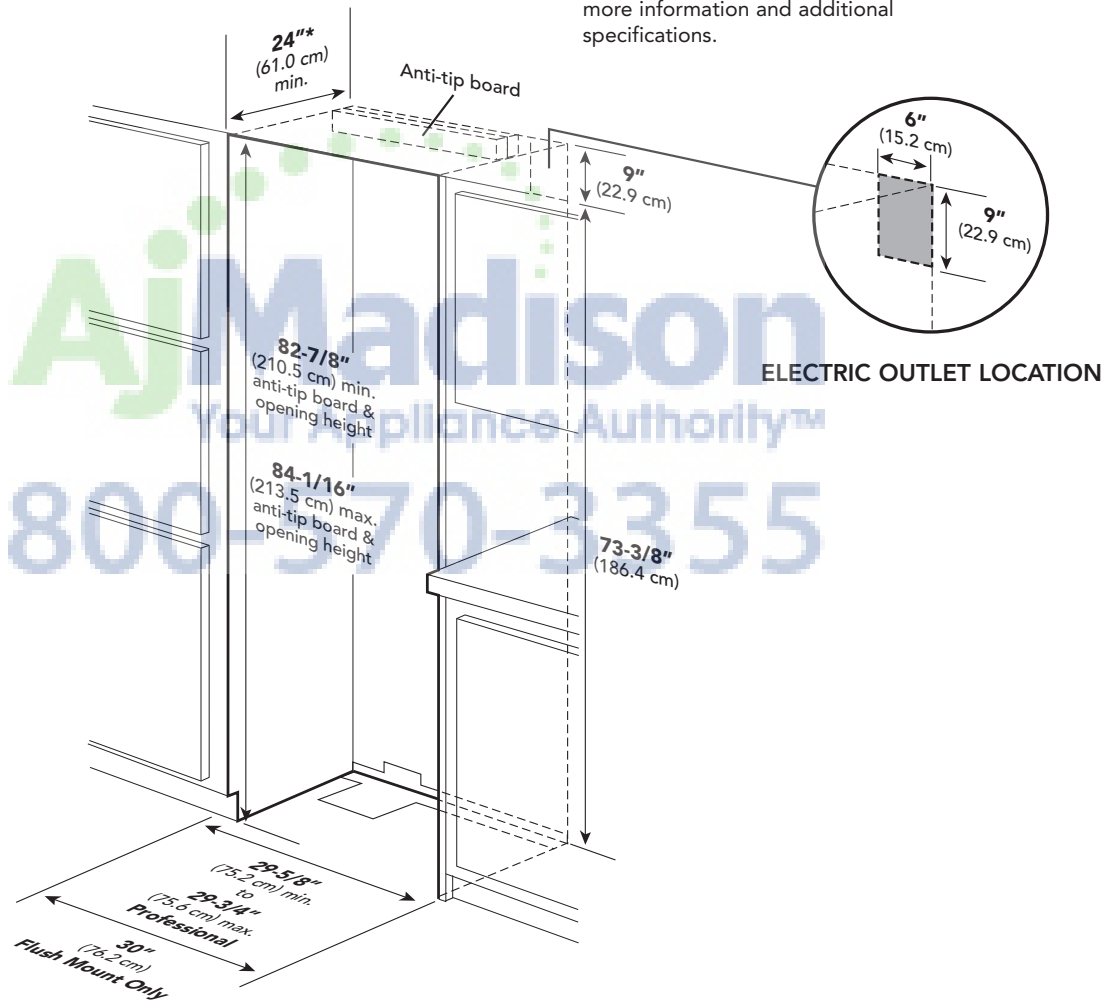


**VCRB5301**  
Professional



**FDRB5301**  
Custom Panel

See **Custom Panels** section for more information and additional specifications.



\*Custom panel models fit flush in 25"-deep (63.5 cm) cabinet openings. They can be installed in standard 24"-deep openings. The door faces and top grille will protrude 3/4" (1.9 cm) into the room.

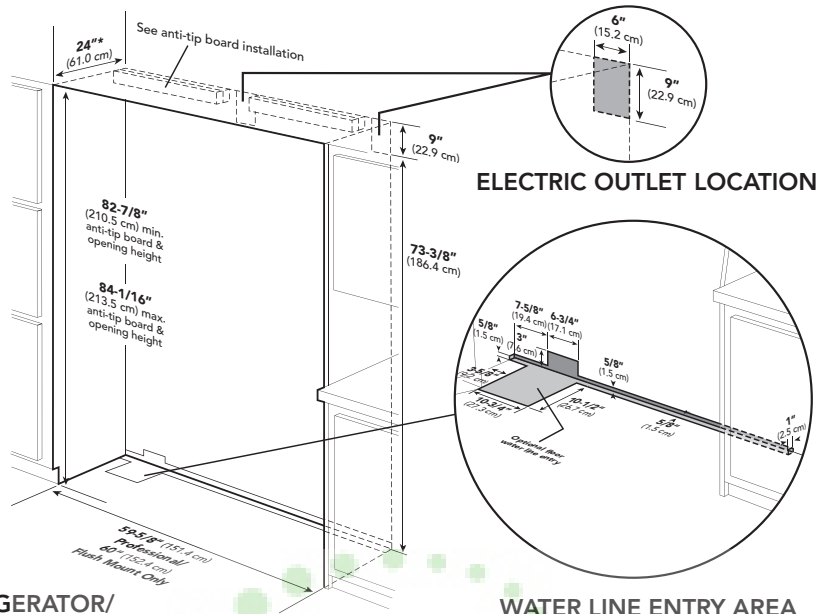
	<b>VCRB5301</b>	<b>VCRB5301/Flush Mount</b>	<b>FDRB5301</b>
Cutout width	29-5/8" (75.2 cm) min. to 29-3/4" (75.6 cm) max.	30" (76.2 cm)	30" (76.2 cm)
Cutout height	<b>82-7/8" (210.5 cm) min. to 84-1/16" (213.5 cm) max.</b>		
Cutout depth	<b>24" (61.0 cm) min.*</b>		





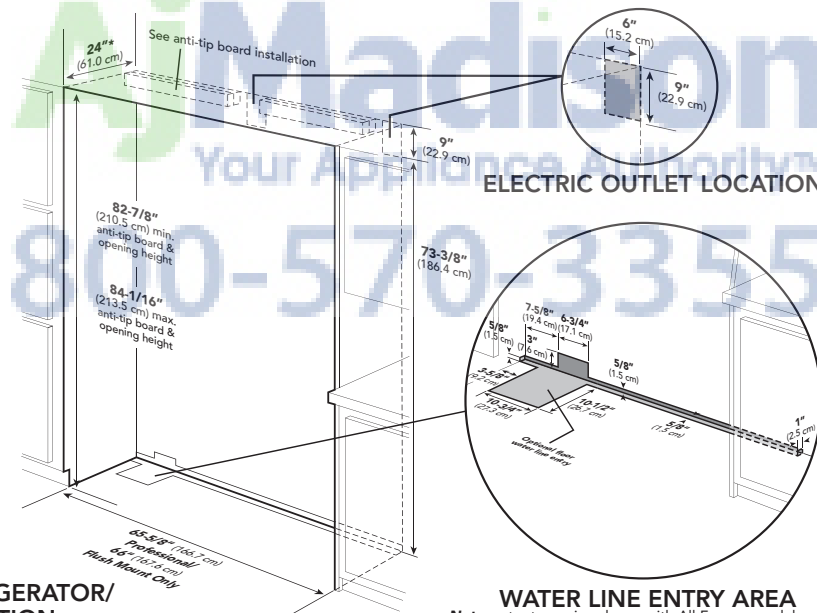
## Installation Requirements

### ACCESS REQUIREMENTS – Dual Installation



**30"W./30"W. REFRIGERATOR/  
 FREEZER COMBINATION**

**WATER LINE ENTRY AREA**  
 Note: cutout opening shown with All Freezer model on left.  
 Reverse water line entry if All Freezer model is on right



**30"W./36"W. REFRIGERATOR/  
 FREEZER COMBINATION**

**WATER LINE ENTRY AREA**  
 Note: cutout opening shown with All Freezer model on left.  
 Reverse water line entry if All Freezer model is on right

\*Custom panel models fit flush in 25"-deep (63.5 cm) cabinet openings. They can be installed in standard 24"-deep openings. The door faces and top grille will protrude 3/4" (1.9 cm) into the room.

	VCRB5301/VCFB5301	VCRB5301/VCFB5301 Flush Mount	FDRB5301/FDFB5301
Cutout width	59-5/8" (151.4 cm)	60" (152.4 cm)	60" (152.4 cm)
Cutout height	<b>82-7/8" (210.5 cm) min. to 84-1/16" (213.5 cm) max.</b>		
Cutout depth	<b>24" (61.0 cm) min.*</b>		
	VCRB5301/VCFB5361	VCRB5301/VCFB5361 Flush Mount	FDRB5301/FDFB5361
Cutout width	65-5/8" (166.7 cm)	66" (167.6 cm)	66" (167.6 cm)
Cutout height	<b>82-7/8" (210.5 cm) min. to 84-1/16" (213.5 cm) max.</b>		
Cutout depth	<b>24" (61.0 cm) min.*</b>		





## ★ Installation Notes & Accessories

### Side Panel Kits

- Stainless Steel (SS)
- Panels provide finished, freestanding look; unit must still be secured to the wall
- Kit includes one panel and installation hardware

Model	Description	Approx. ship wt. lbs. (kg)
PSSPL2	Professional side panel left - Standard Mount	45 (20.2)
PSSPR2	Professional side panel right - Standard Mount	45 (20.2)
DSSPL2	Designer side panel left - Flush Mount	45 (20.2)
DSSPR2	Designer side panel right - Flush Mount	45 (20.2)

### Side Panel Hardware Kit

- For use with custom panel built-in refrigerator/freezers
- Hardware allows installation of custom side panels
- Kit includes brackets, screws, and installation instructions to mount panels on left and right side

Model	Description	Approx. ship wt. lbs. (kg)
SPHKDS	Side panel hardware	3 (1.4)

### Top Panel Kit

- Stainless Steel (SS)
- Panel provides finished, freestanding look; unit must still be secured to the wall
- Kit includes one panel and installation hardware

Model	Description	Approx. ship wt. lbs. (kg)
TOP-30	30"W. top panel	21 (9.5)

### Top Grille Kits

- Stainless Steel (SS)
- 60"W. top grille kit—for use with installation of two 30"W. all refrigerators/all freezers side-by-side
- 66"W. top grille kit—for use with installation of one 30"W. and one 36"W. all refrigerators/all freezers side-by-side
- Grille creates a single unit look
- Kit includes one full-length grille, center cabinet trim connector, and installation hardware

Model	Description	Approx. ship wt. lbs. (kg)
DDGK60-SS	60"W. grille (for two VCRB/VCFB/FDRB/FDFB units)	21 (9.5)
DDGK66-SS	66"W. grille (for two VCRB/VCFB/FDRB/FDFB units)	23 (10.4)

### Center Trim Kit

- Stainless Steel (SS)
- Kit includes center cabinet trim connector to install two custom front units with wood top grille

Model	Description	Approx. ship wt. lbs. (kg)
FCTK-SS	Center trim	5 (2.3)





# REFRIGERATION

## Quiet Cool™ Built-In 30"W. All Refrigerator



### Handle Kits

- For use with custom panel refrigerators
- For use on locally supplied custom panels
- Handles allow refrigerators/freezers with custom panels to coordinate with other Professional products
- Kit includes handle(s) and installation hardware

Model	Description	Approx. ship wt. lbs. (kg)
PHK28-SS	Professional one handle (Stainless Steel)	7 (3.2)
PHKDFSB5-SS	Professional two handles (Stainless Steel)	10 (4.5)



### Compliance Information



### WARRANTY SUMMARY\*

- Three-year full warranty—complete unit
- Six-year full warranty—sealed refrigeration system
- Twelve-year limited warranty—sealed refrigeration system (includes compressor, condenser, dryer/strainer, evaporator, and connecting tubing)
- Ninety-day limited warranty—cosmetic parts such as glass, painted, and decorative items

\*For complete warranty see *Use & Care Guide*. Warranty valid on Viking products shipped within the United States and Canada.

