



OUTDOOR—REFRIGERATION

Undercounter/Freestanding 15"W./24"W. Ref. Beverage Centers



Standard Features & Accessories

All models include

- Agency-certified for outdoor use
 - A stainless steel exterior cabinet surrounds the unit and forms a water-resistant seal
 - Insulated electrical terminals, sealed electrical contacts, and a water-resistant thermostat provide optimal performance in all weather elements
- Normal operating range between 110°F (43.4°C) and 40°F (4.4°C) (Viking recommends that units be shut off in temperatures outside these limits)
- Heavy-duty commercial-type construction, design, and styling
- Automatic cycle defrost
- Adjustable leveling legs
- Interior light turns on when door is opened, or by switch

- Undercounter or freestanding installation
 - Can be installed as a single unit, double stacked, or side-by-side in standard-depth residential cabinets

VUAR1531T model includes

- 3.0 cubic feet of storage
- Hidden touchpad electronic controls with digital temperature readout
- Inside temperature can be adjusted from 40 – 65°F
- Two full-depth adjustable wire shelves pull out for easy access
- One full-depth, tempered-glass shelf creates a distinct temperature zone for wine storage
- Wine rack in bottom cradles four bottles horizontally and pulls out for easy access

VUAR1431T model includes

- 6.1 cubic feet of storage
- Combined, shelves hold 128 12-oz. cans
 - Shelves can be removed to store larger bottles
- Hidden touchpad electronic controls with digital temperature readout
- Inside temperature can be adjusted from 40 – 65°F
- Top wire shelf has 6-1/2" split flip-up section to chill or store open wine bottles or large containers
- Full-depth, tempered-glass shelf creates distinct temperature zone for wine storage
- Two wine shelves in bottom cradle 12 bottles horizontally, and pull out for easy access

Model Options



VUAR1531T
15"W. Refrigerated
Beverage Center



VUAR1431T
24"W. Refrigerated
Beverage Center

- FINISH DETAILS FOR ALL MODELS
- Stainless Steel (SS)
 - White interior

ORDERING INSTRUCTIONS

First specify model number, followed by hinge preference ("R" for right or "L" for left)—(VUAR1531TRSS).





OUTDOOR—REFRIGERATION

Undercounter/Freestanding 15"W./24"W. Ref. Beverage Centers



★ Please see Installation Notes & Accessories for important information.

Dimensions & Specifications

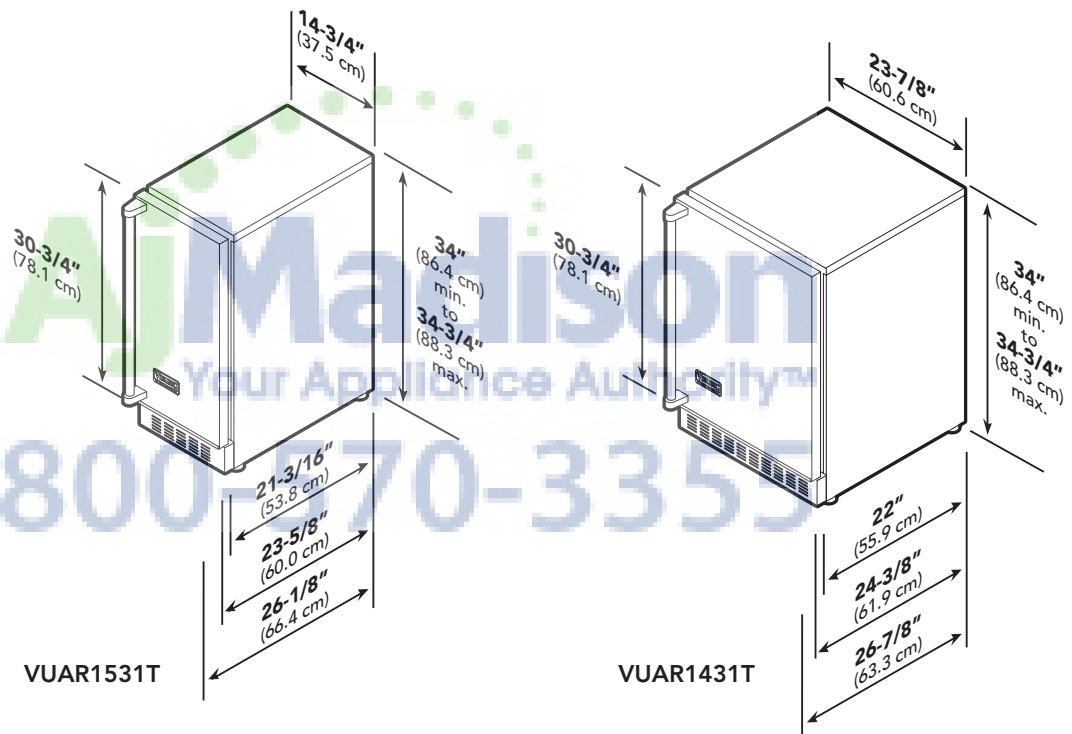
PRODUCT DIMENSIONS



VUAR1531T
15"W. Beverage Center



VUAR1431T
24"W. Beverage Center



	VUAR1531T	VUAR1431T
Overall width	14-3/4" (37.5 cm)	23-7/8" (60.6 cm)
Overall height (from bottom) (w/leveling legs fully extended)	34" (86.4 cm) min. to 34-3/4" (88.3 cm) max.	34" (86.4 cm) min. to 34-3/4" (88.3 cm) max.
Overall depth (from rear)		
To front of handle	21-3/16" (53.8 cm)	22" (55.9 cm)
With door fully open	23-5/8" (60.0 cm)	24-3/8" (61.9 cm)
Overall depth (from front)	26-1/8" (66.4 cm)	26-7/8" (68.3 cm)
Approx. ship weight	110 lbs. (49.5 kg)	140 lbs. (63.0 kg)





OUTDOOR—REFRIGERATION

Undercounter/Freestanding 15"W./24"W. Ref. Beverage Centers



Dimensions & Specifications

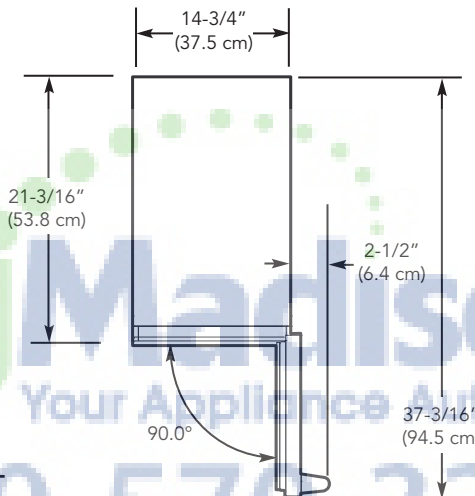
DOOR SWING



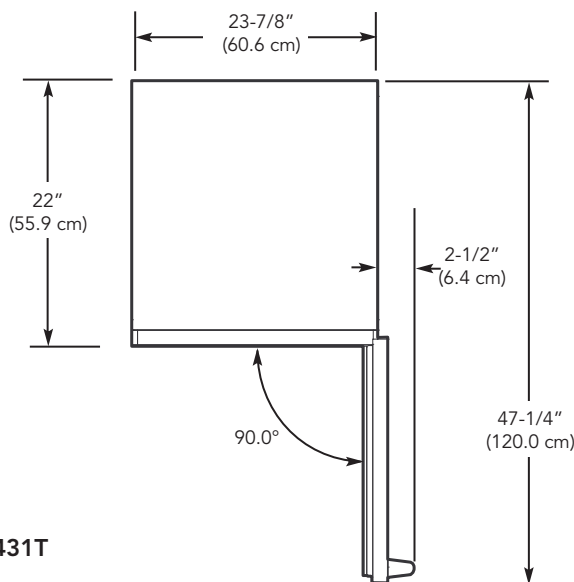
VUAR1531T
15"W. Refrigerated
Beverage Center



VUAR1431T
24"W. Refrigerated
Beverage Center



VUAR1531T



VUAR1431T





OUTDOOR—REFRIGERATION

Undercounter/Freestanding 15"W./24"W. Ref. Beverage Centers



UTILITY REQUIREMENTS



GAS

Not applicable



ELECTRICAL

- 2-wire cord with grounded, 3-prong plug attached to product
 - VUAR models—6-1/2' cord
 - VUIM model—7' (2.1 m) cord
- 115 VAC/60 Hz; 15-amp dedicated circuit
- Max. amp usage
 - VUAR150T—3.0
 - VUAR/VURI140T—3.3



PLUMBING

- *Not applicable to VUAR models*
- VUIM model
 - Inlet waterline requirements—1/8" (0.6 cm) copper tubing
 - 20 psi min.; 100 psi max.

Installation Requirements

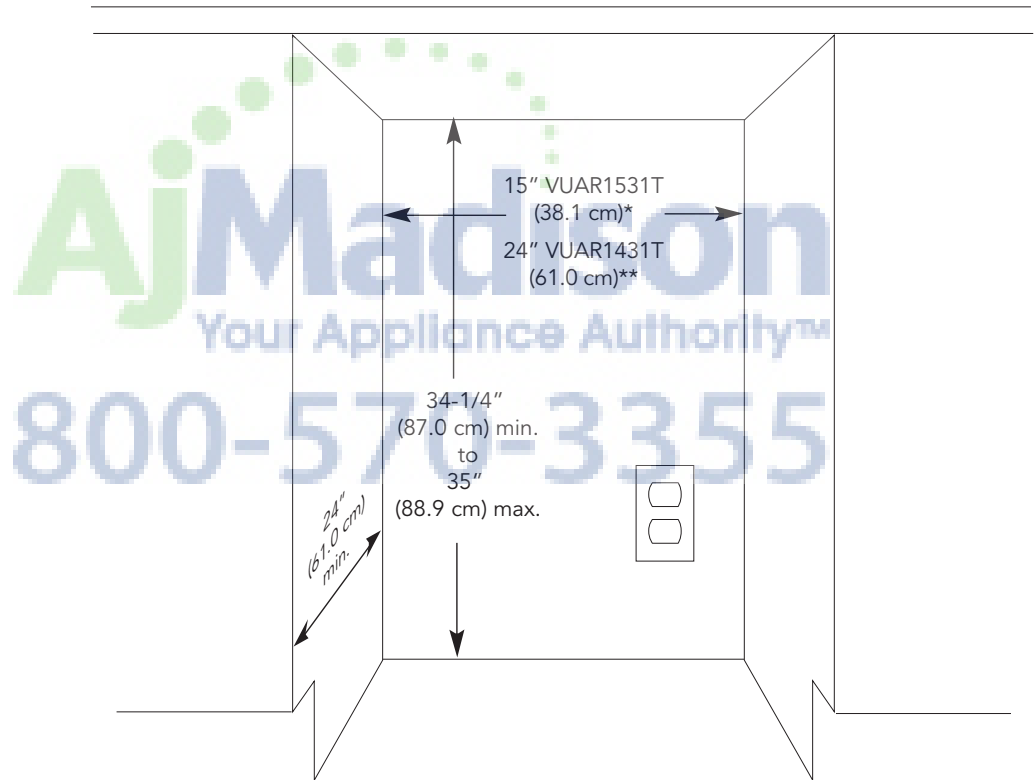
ACCESS REQUIREMENTS



VUAR1531T
15"W. Beverage Center



VUAR1431T
24"W. Beverage Center



*15" (38.1 cm) width for cabinet only; If door is recessed between cabinets, cutout must be 15-1/4" (38.7 cm).
 **24" (61.0 cm) width for cabinet only; If door is recessed between cabinets, cutout must be 24-1/4" (61.6 cm).

	VUAR1531T	VUAR1431T
Cutout width	15" (38.1 cm)*	24" (61.0 cm)**
Cutout height	34-1/4" (87.0 cm) min. to 35" (88.9 cm) max.	
Cutout depth	24" (61.0 cm) min.	





✪ Installation Notes & Accessories

Stainless Steel Cabinetry-Bases

- Stainless Steel (SS)
- For use with 15"W. & 24"W. Viking outdoor refrigeration products
- See individual product pages (storage section) for more information and additional specifications

Model	Description	Approx. ship wt. lbs. (kg)
VURO2400	Base for 15"W outdoor refrigerator	115 (52.2)
VURO3200	Base for 24"W outdoor refrigerator	125 (56.7)

Stainless Steel Cabinetry-Oven Towers

- Stainless Steel (SS)
- For installation of 24" beverage center with oven
- See individual product pages (storage section) for more information and additional specifications

Model	Description	Approx. ship wt. lbs. (kg)
VERO3200	32"W. tower (for 24"W. beverage center+ smoker oven)	271 (122.9)
VGRO3200	32"W. tower (for 24"W. beverage center+ gas oven)	271 (122.9)



Compliance Information



WARRANTY SUMMARY*

- One-year full warranty—complete unit
- Five-year limited warranty—sealed refrigeration system (includes compressor, condenser, dryer/strainer, evaporator, and connecting tubing)
- Ninety-day limited warranty—cosmetic parts such as glass, painted items, and decorative items

*For complete warranty see *Use & Care Guide*. Warranty valid on Viking products shipped within the United States and Canada.

