



# OUTDOOR—VENTILATION

## Built-In 18"H. Wall Hood



### Standard Features & Accessories

#### All models include

- 27"D.
- Agency-certified for outdoor use
  - Keeps outdoor air fresh
  - Designed and constructed for damp environments
- Canopy only—must also purchase interior or exterior ventilator kit, **sold separately** (see **Installation Notes & Accessories** for recommended Viking ventilators)
- Heavy-duty construction; professional-type size, design, and styling
  - Virtually seamless stainless steel design with no visible screws
- Heat sensor turns the ventilator on full power when cooking temperatures reach uncomfortable levels
- Variable speed ventilator controls
  - Separate controls for on/off and speed control
- Easy cleanup
  - Commercial-type baffle filter system efficiently removes grease and heated vapors from the air; especially designed for use with commercial-type products
  - Design of low-profile filter system means less interior hood space to be cleaned
  - Canopy interior is completely lined in stainless steel for increased rigidity, seamless appearance, and easy cleaning
- 50-watt halogen lights with dimmer control
  - Separate removable trough catches liquefied grease
  - Power switch and dimmer control are separate, allowing you to leave dimmer at favorite position

### Model Options



**VWH3678T**  
36"W. Hood (for 30"W. grills)



**VWH4878T**  
48"W. Hood (for 41"W. grills)



**VWH6078T**  
60"W. Hood (for 53"W. grills)

#### FINISH DETAILS FOR ALL MODELS

- Stainless Steel (SS)
- Accessory Rail Option—Front of hood (Must be ordered factory-installed)
  - Stainless Steel/Chrome (CR)—Stainless steel rail with chrome supports/brackets and hooks (included).
  - Brass Trim Option (BR)—Brass nameplate, rail, supports/brackets, and hooks (included). Brass components have a durable protective coating for maintenance-free normal use.

#### ORDERING INSTRUCTIONS

If ordering optional decorative rail, specify code at end (VWH3678T-**CR**).





# OUTDOOR—VENTILATION

## Built-In 18"H. Wall Hood



★ Please see Installation Notes and Accessories for important information, including ventilator kits, duct covers, and back splashes.

### Dimensions & Specifications

#### PRODUCT DIMENSIONS



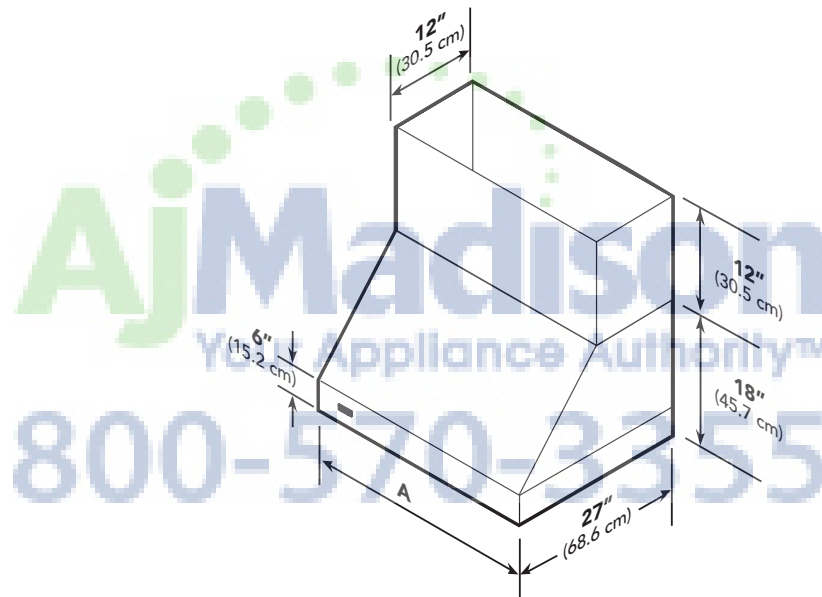
**VWH3678T**  
36"W. Hood  
(for 30"W. grills)



**VWH4878T**  
48"W. Hood  
(for 41"W. grills)



**VWH6078T**  
60"W. Hood  
(for 53"W. grills)



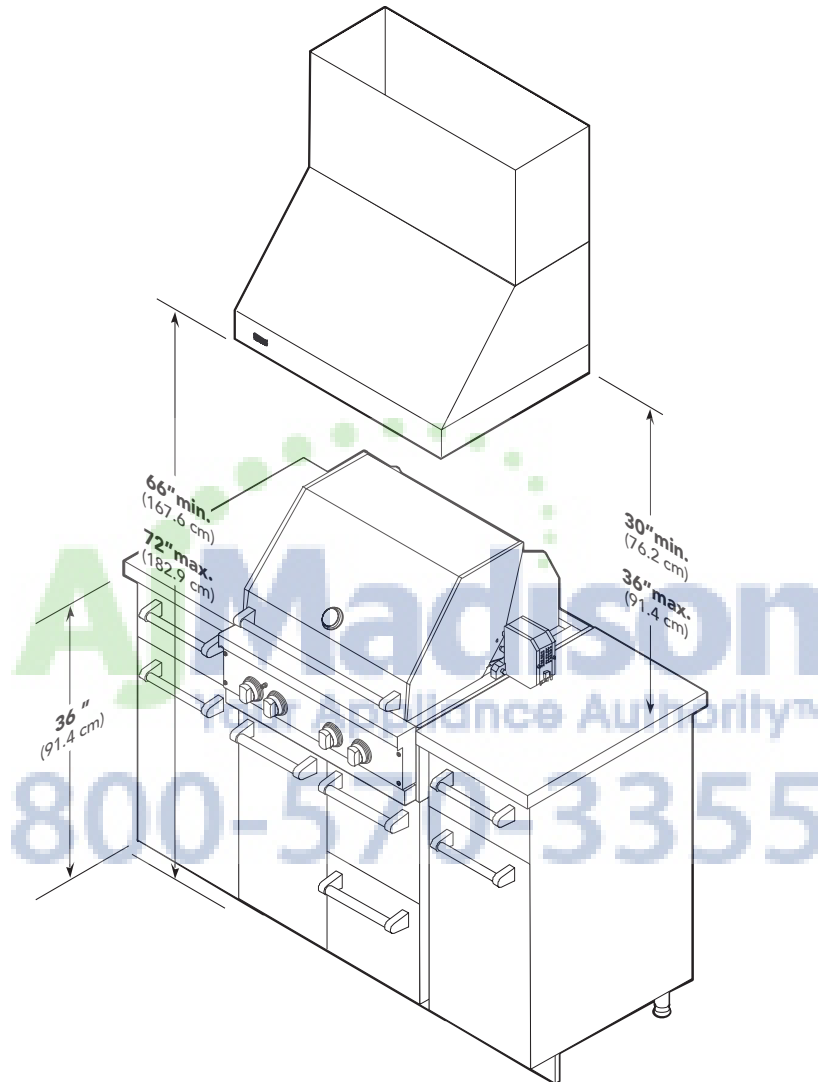
Model	Hood		Duct Cover		Height	Lights	Filters	Heat Lamps	Approx. Ship. wt.
	Width (A)	Depth (B)	Width	Depth					
VWH3678T	35-7/8" (91.1 cm)	27" (68.6 cm)	35-7/8" (91.1 cm)	12" (30.5 cm)	12" (30.5 cm)	2	2	1	74 lbs. (33.3 kg)
VWH4878T	47-7/8" (121.6 cm)	27" (68.6 cm)	47-7/8" (121.6 cm)	12" (30.5 cm)	12" (30.5 cm)	3	3	2	94 lbs. (42.3 kg)
VWH6078T	59-7/8" (152.1 cm)	27" (68.6 cm)	59-7/8" (152.1 cm)	12" (30.5 cm)	12" (30.5 cm)	4	4	2	114 lbs. (51.3 kg)





## Dimensions & Specifications

### CLEARANCE DIMENSIONS



**Note:** Viking Outdoor hoods must be installed in a covered, **non-enclosed** area, and should be protected from the elements as much as possible.

The bottom of the hood should be 30" (76.2 cm) to 36" (91.4 cm) above the grill surface. The hood should be installed 4-1/2" (11.4 cm) plus the distance between the back trim and surface from the back wall. (Note: There is a 3" minimum clearance from the back trim to non-combustible surfaces, and a 24" minimum to combustible surfaces.) This will require building the hood out from the wall. Any combustible material used for this purpose must be covered with locally-supplied stainless steel. Viking also recommends using a backsplash.





# OUTDOOR—VENTILATION

## Built-In 18"H. Wall Hood



### Installation Requirements



**VWH3678T**  
36"W. Hood (for 30"W. grills)



**VWH4878T**  
48"W. Hood (for 41"W. grills)



**VWH6078T**  
60"W. Hood (for 53"W. grills)

### UTILITY REQUIREMENTS

**Proper installation/ ducting is extremely important to ensure maximum performance. Use a qualified and trained installer.**

- 10" duct run for 900 – 1500 CFM
  - o Never use flexible duct; it creates back pressure/air turbulence and greatly reduces performance.



#### DUCTING

- Check with a qualified and trained installer or local codes for makeup air requirements, if any.
- Max. duct run
  - o For 1,200 CFM—50' (15.2 m)
  - o For 1,500 CFM—75' (22.9 m)
  - o Duct run length is for general reference only; for longer duct runs, increase duct size and contact a qualified and trained installer.
  - o The 1,500 CFM ventilator should be used with longer duct runs.
  - o Straight runs and gradual turns are best; for example, each 90° elbow is equivalent to 5 – 10 feet (1.52 – 3.05 cm) of straight run.



#### ELECTRICAL

- Hardwire direct with two-wire with ground
- 120 VAC/60 Hz



#### PLUMBING

Not applicable



#### GAS

Not applicable



Model	Ventilator Kits		Duct Size		Max. Amps*	
	Interior	Exterior	Interior	Exterior	Interior	Exterior
VWH3678T	VIV1200	VEV1200/1500	10" (25.4 cm)	10" (25.4 cm)	8.7	6.1/6.8
VWH4878T	VIV1200	VEV1200/1500	10" (25.4 cm)	10" (25.4 cm)	11.5	8.8/9.5
VWH6078T	VIV1200	VEV1200/1500	10" (25.4 cm)	10" (25.4 cm)	11.5	8.8/9.5

\*Maximum amp rating for hoods includes recommended ventilator kit rating.





# OUTDOOR—VENTILATION

## Built-In 18”H. Wall Hood



### ✦ Installation Notes & Accessories

#### Recommended Ventilator Kits

- Must use Viking ventilator kits with Viking hoods; use of non-Viking kits voids product warranty
- See ventilation product pages (**indoor**) for more information and additional specifications

Model	Description	Approx. ship wt. lbs. (kg)
VIV1200	1,200 CFM interior-power	43 (19.4)
VEV1200	1,200 CFM exterior-power	53 (23.9)
VEV1500	1,500 CFM exterior-power	47 (21.3)

#### Duct Covers

- Stainless Steel (SS)
- Constructed of 18-gauge stainless steel
- 12”D.
- Extends height of hood by 12”—conceals duct

Model	Description	Approx. ship wt. lbs. (kg)
DCW36T	Outdoor 36”W. duct cover	11 (5.0)
DCW48T	Outdoor 48”W. duct cover	14 (6.3)
DCW60T	Outdoor 60”W. duct cover	24 (10.8)

#### Backsplashes

- Stainless Steel (SS)
- 30”H.
- Backsplashes protect the wall space below hood
- Create a continuous finish between cooking surface and hood
- Low maintenance, easy to clean
- Hemmed edges with screw holes
- Kit includes backsplash and fastening screws

Model	Description	Approx. ship wt. lbs. (kg)
BKS36	36”W. backsplash	9 (4.1)
BKS48	48”W. backsplash	14 (6.3)
BKS60	60”W. backsplash	20 (9.0)

#### Compliance Information



#### WARRANTY SUMMARY\*

- One-year full warranty—complete product
- Five-year limited warranty—ventilator motor
- Lifetime limited warranty—rust through on all stainless-steel components
- Ninety-day limited warranty—cosmetic parts such as glass, painted, and decorative items

\*Must use Viking ventilator kits with Viking hoods; use of non-Viking kits voids product warranty. For complete warranty see *Use & Care Guide*.  
Warranty valid on Viking products shipped within the United States and Canada.

