



# OUTDOOR—COOKING Premium/Ultra-Premium Grill Cart



## Standard Features & Accessories

### All models include

- Commercial styling and construction
  - No assembly required
  - Built from thick sheets of rugged, heavy-duty, non-rusting stainless steel
- Large inboard 10" solid rubber rear wheels and locking caster front wheels provide maneuverability and stability, and allow unit to fit flush against wall.
- 16"W. x 24"D. fold-down side shelf/shelves

### BQC030T3 model includes

- Compatible with 30"W. grills\*
  - Can use Premium cart for Ultra-Premium 30"W. grill, and vice versa.
- Two casters
- One shelf, which can be mounted on

the left or right

- Rear cutout for LP tank access or storage

### BQC300T3 model includes

- Compatible with 30"W. grills\*
  - Can use Ultra-Premium cart for Premium 30"W. grill, and vice versa
- Four casters
- Two shelves
- Front door for LP tank access or storage
  - Features stainless steel accessory rod

### BQC410T1 model includes

- Compatible with 41"W. grills\*
- Two shelves
- Two storage drawers

- Front door for LP tank access
- Opens to a slide-out LP tank shelf

### BQC530T1 model includes

- Compatible with 53"W. grills\*
- Two shelves
- Two storage drawers
- Front door for LP tank access
  - Opens to a slide-out LP tank shelf
- Front storage access door
  - Opens to a stainless steel storage shelf

\*Grills **sold separately** (see **Installation Notes & Accessories**).

## Model Options



**BQC030T3\***  
Premium Cart  
(for 30"W. grills)



**BQC300T3\***  
Ultra-Premium Cart  
(for 30"W. grills)



**BQC410T1\***  
Ultra-Premium Cart  
(for 41"W. grills)



**BQC530T1\***  
Ultra-Premium Cart  
(for 53"W. grills)

### FINISH DETAILS FOR ALL MODELS

- Stainless Steel (SS)
- Brass Trim Option (BR)—nameplate and handles/brackets. Brass components have a durable protective coating for maintenance-free normal use.

\*Shown throughout with grill, sold separately.

### ORDERING INSTRUCTIONS

If ordering optional brass trim, specify code at end (BQC030T3SSBR).





★ Please see Installation Notes and Accessories for important information, including grills and protective covers.

### Dimensions & Specifications

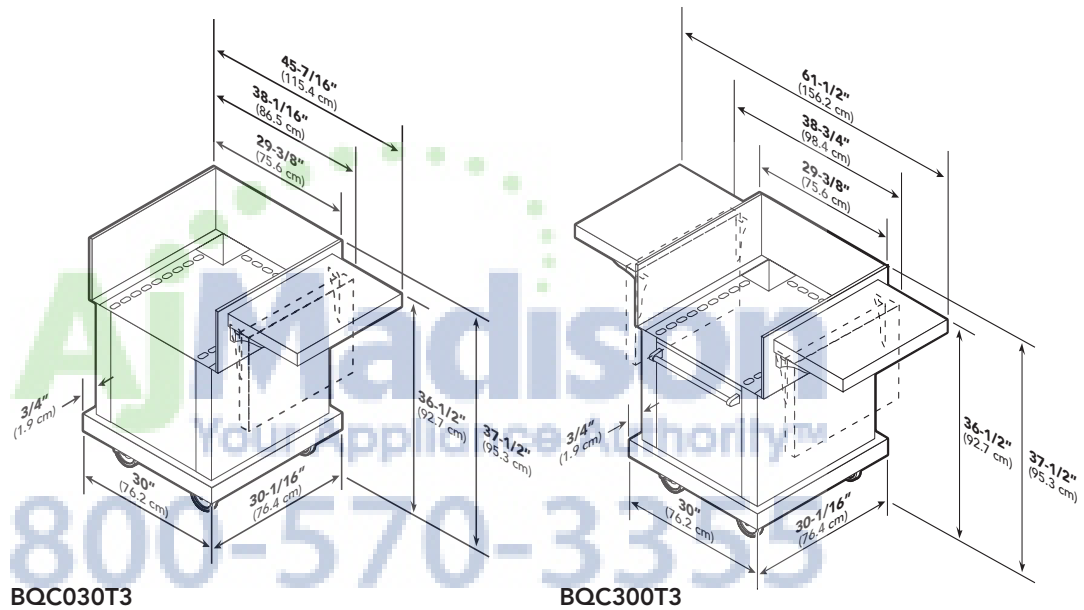
#### PRODUCT DIMENSIONS



**BQC030T3**  
Premium Cart  
(for 30"W. grills)



**BQC300T3**  
Ultra-Premium Cart  
(for 30"W. grills)



	BQC030T3	BQC300T3
Overall width		
Across top edge	29-3/8" (75.6 cm)	29-3/8" (75.6 cm)
Across bottom ledge	30" (76.2 cm)	30" (76.2 cm)
With shelf folded down	N/A	38-1/16" (86.5 cm)
With shelf extended	N/A	45-7/16" (115.4 cm)
With shelves folded down	N/A	38-3/4" (98.4 cm)
With shelves extended*	N/A	61-1/2" (156.2 cm)
Overall height (from bottom of wheels)		
To top of cart	<b>37-1/2" (95.3 cm)</b>	
To top of shelf	<b>36-1/2" (92.7 cm)</b>	
Overall depth (from rear)		
To end of handle brackets	N/A	31-1/16" (78.9 cm)
Base ledge	<b>30-1/16" (76.4 cm)</b>	
With door open	N/A	53-1/16" (134.8 cm)
Approx. ship wt. lbs. (kg)	165 (74.8)	165 (74.8)

\*Shelves can be removed, but you must take them off before installing grill. (See Installation Instructions for removal.)



# OUTDOOR—COOKING Premium/Ultra-Premium Grill Cart



★ Please see Installation Notes and Accessories for important information, including grills and protective covers.

## Dimensions & Specifications

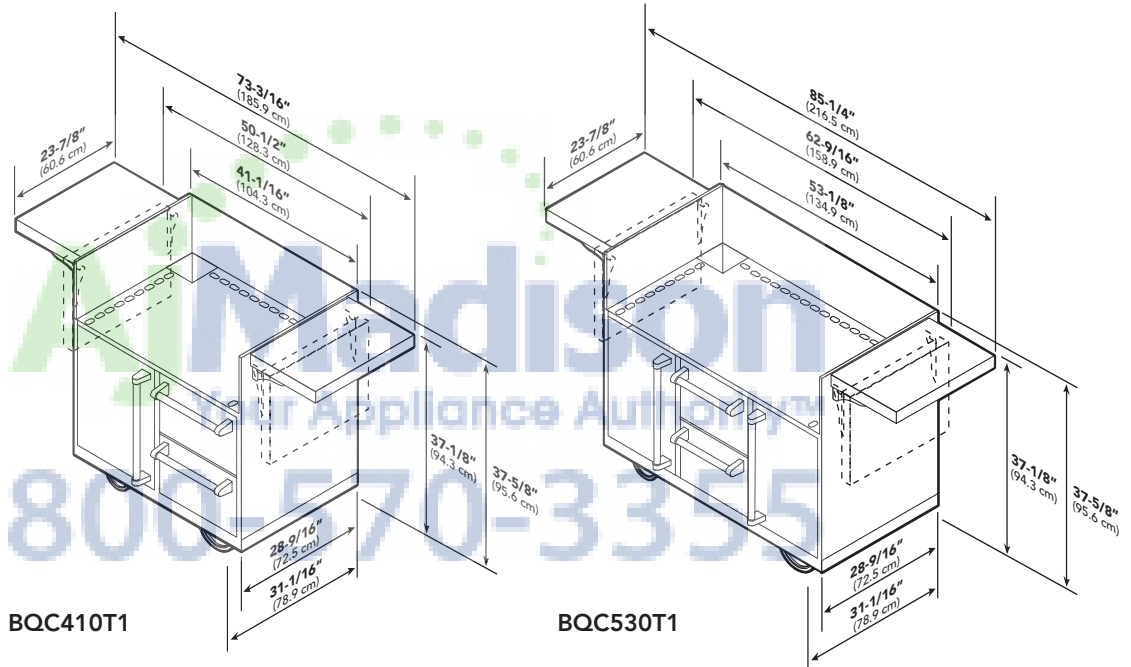
### PRODUCT DIMENSIONS



**BQC410T1**  
Ultra-Premium Cart  
(for 41"W. grills)



**BQC530T1**  
Ultra-Premium Cart  
(for 53"W. grills)



	<b>BQC410T1</b>	<b>BQC530T1</b>
Overall width		
Across top edge	41-1/16" (104.3 cm)	53-1/8" (134.9 cm)
With shelves folded down	50-1/2" (128.3 cm)	62-9/16" (158.9 cm)
With shelves extended*	73-3/16" (185.9 cm)	85-1/4" (216.5 cm)
Overall height (from bottom of wheels)		
To top of cart	<b>37-5/8" (95.6 cm)</b>	
To top of shelf	<b>37-1/8" (94.3 cm)</b>	
Overall depth (from rear)		
To end of handle brackets	<b>31-1/16" (78.9 cm)</b>	
With door open	45-7/8" (116.5 cm)	43-1/16" (109.4 cm)
With drawer open	<b>53-1/16" (134.8 cm)</b>	
Approx. ship wt. lbs. (kg)	225 (115.8)	290 (131.7)

\*Shelves can be removed, but you must take them off before installing grill. (See Installation Instructions for removal.)



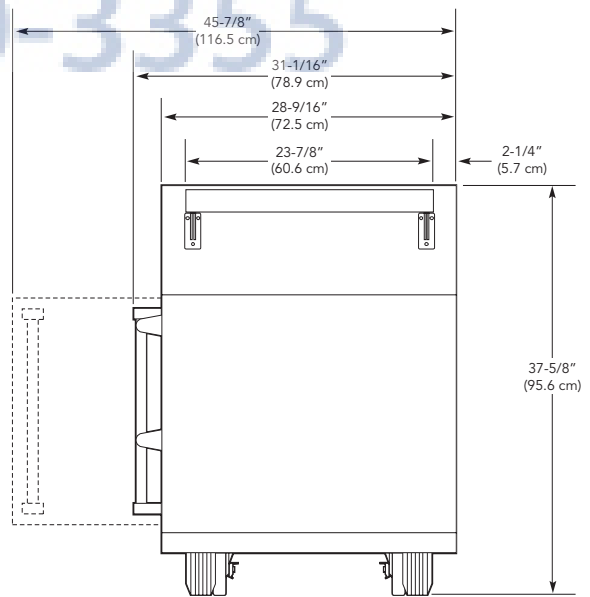
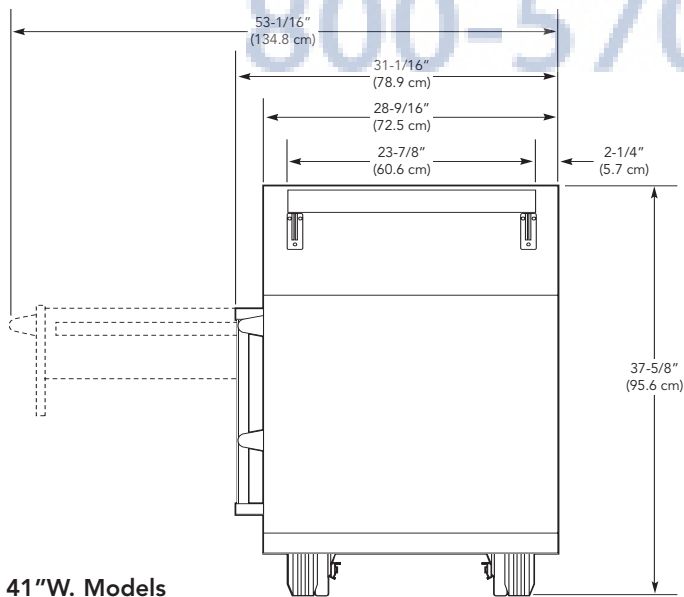
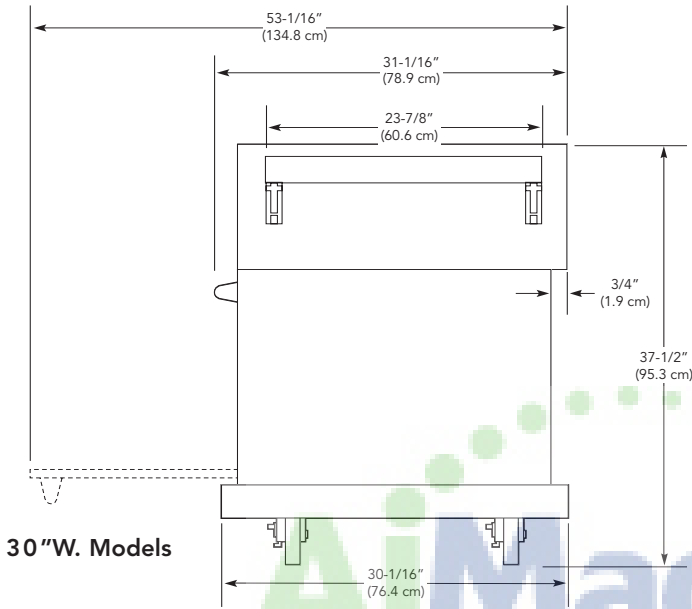


# OUTDOOR—COOKING Premium/Ultra-Premium Grill Cart



## Dimensions & Specifications

### DRAWER & DOOR SWING



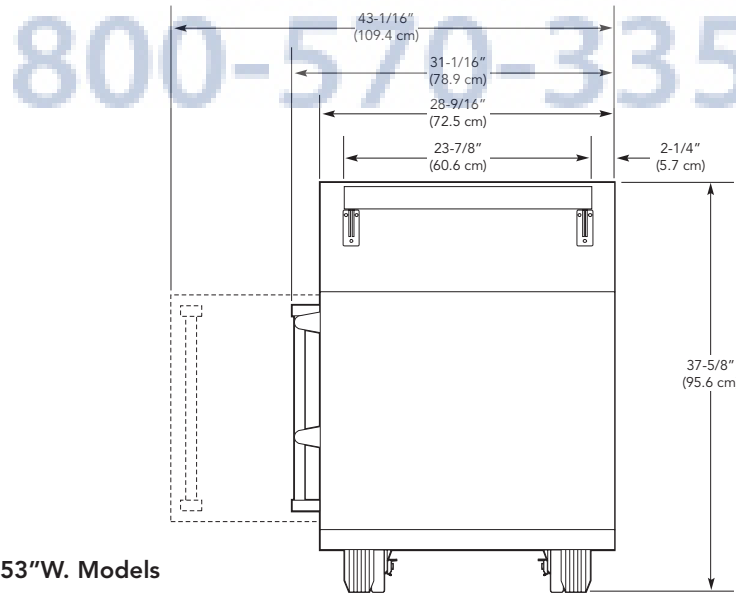
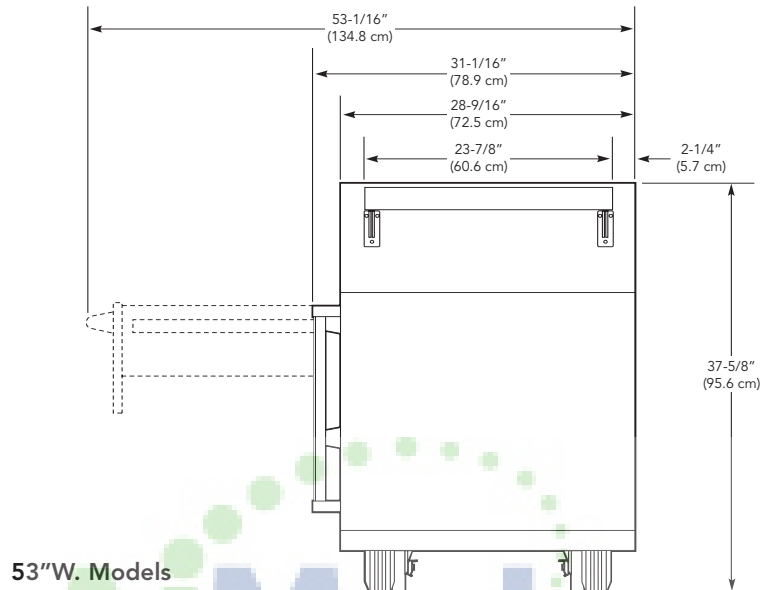


# OUTDOOR—COOKING Premium/Ultra-Premium Grill Cart



## Dimensions & Specifications

### DRAWER & DOOR SWING



AjMadison  
Your Appliance Authority™  
800-570-3355





## ✦ Installation Notes & Accessories

### Gas Grills

**Note:** Before installing a grill onto the cart, remove the grill's drip tray, grates, flavor grids, and warming racks.

- See individual product pages for more information and additional specifications.

Model	Description	Approx. ship wt. lbs. (kg)
VGBQ030-2T	Premium T-Series 30"W. two-burner all grill	325 (147.5)
VGBQ300-2RT	Ultra-Premium T-Series 30"W. two-burner all grill	325 (147.5)
VGBQ300-2RE	Ultra-Premium E-Series 30"W. two-burner all grill	325 (147.5)
VGIQ300-2RT	Ultra-Premium T-Series 30"W. two-burner all grill w/TruSear	325 (147.5)
VGBQ410-3RT	Ultra-Premium T-Series 41"W. three-burner all grill	380 (172.5)
VGBQ410-3RE	Ultra-Premium E-Series 41"W. three-burner all grill	380 (172.5)
VGBQ412-2RT	Ultra-Premium T-Series 41"W. two-burner grill w/side burners	350 (158.9)
VGBQ412-2RE	Ultra-Premium E-Series 41"W. two-burner grill w/side burners	350 (158.9)
VGIQ410-3RT	Ultra-Premium T-Series 41"W. three-burner all grill w/TruSear	380 (172.5)
VGIQ410-3RE	Ultra-Premium E-Series 41"W. three-burner all grill w/TruSear	380 (172.5)
VGBQ530-4RT	Ultra-Premium T-Series 53"W. four-burner all grill	460 (208.8)
VGBQ530-4RE	Ultra-Premium E-Series 53"W. four-burner all grill	460 (208.8)
VGBQ532-3RT	Ultra-Premium T-Series 53"W. three-burner grill w/side burners	490 (222.5)
VGBQ532-3RE	Ultra-Premium E-Series 53"W. three-burner grill w/side burners	490 (222.5)
VGIQ530-4RT	Ultra-Premium T-Series 53"W. four-burner all grill w/TruSear	460 (208.8)
VGIQ530-4RE	Ultra-Premium E-Series 53"W. four-burner all grill w/TruSear	460 (208.8)
VGIQ532-3RT	Ultra-Premium T-Series 53"W. three-burner grill w/side burners & TruSear	490 (222.5)
VGIQ532-3RE	Ultra-Premium E-Series 53"W. three-burner grill w/side burners & TruSear	490 (222.5)

### Vinyl Covers

- Sturdy, reinforced vinyl exterior; felt-lined interior for protection

Model	Description	Approx. ship wt. lbs. (kg)
CV30T-C	Cover for 30"W. cart & grill	8 (3.6)
CV41T-C	Cover for 41"W. cart & all grill	10 (4.5)
CV41T-CSB	Cover for 41"W. cart & grill w/side burners	10 (4.5)
CV53T-C	Cover for 53"W. cart & all grill	15 (6.8)
CV53T-CSB	Cover for 53"W. cart & grill w/side burners	15 (6.8)

## WARRANTY SUMMARY\*

- One-year full warranty—complete product (w/in-home repairs)
- Lifetime limited warranty—rust through on all stainless steel components
- Two-year limited warranty—door hinges and drawer slides
- Ninety-day limited warranty—cosmetic parts such as glass, painted, & decorative items

\* For complete warranty see *Use & Care Guide*. Warranty valid on Viking products shipped within the United States and Canada.

