



### Standard Features & Accessories

#### All models include

- Hidden touchpad electronic controls with digital temperature readout
  - Inside temperature can be adjusted from 40 – 65°F
  - TruProtect™ system signals if door is left open or if temperature is out of set range
  - Sabbath mode disables audible tones, LED display and lights
  - Temperature can be displayed in either Fahrenheit or Celsius
- Capacity—24 bottles
- Six shelves cradle bottles horizontally to keep corks moist
  - Shelves are coated to reduce vibration and hold bottles snugly in place
  - Roller rack shelves glide in and out for easy access to stored bottles
    - Locks on shelf glides prevents shelves from being removed inadvertently
    - Shelves can be removed to store magnum or larger bottles
- Ultraviolet-resistant tempered glass and black interior protect wine from harmful light
- Maple wood facings provide additional ultraviolet protection
- Low-intensity lighting displays wine with minimal heat and light output
- Interior light turns on by switch or when door is opened
- Keyed door lock provides protection for stored wines
- Low-E argon-filled glass doors
- Install as undercounter or freestanding unit
- Must be ordered right or left hinge. (As you face unit, RIGHT has hinge on right side and handle on left side; LEFT has hinge on left side and handle on right side.)

### Model Options



VUWC1541  
Professional



DUWC1541  
Designer



DFUW1541  
Custom Panel

#### FINISH DETAILS FOR VUWC MODEL

- Clear glass doors
  - Stainless Steel (SS)—stainless steel frame around large window door, stainless steel handle with chrome-plated brackets, black exterior cabinet, and black interior.

#### FINISH DETAILS FOR DUWC MODEL

- Clear glass doors
  - Stainless Steel (SS)—stainless steel frame around large window door, stainless steel handle, black exterior cabinet, and black interior.

#### FINISH DETAILS FOR DFUW MODEL

- Clear glass doors
- Handle not included—opt for custom handle, or purchase a Viking Professional Series or Designer Series handle kit (see **Installation Notes & Accessories**).
- Accept 3/4"-thick custom wood frame
- See **Custom Panels** section for more information and additional specifications.

#### ORDERING INSTRUCTIONS

First specify model number, then specify door style ("C" for clear) immediately after model number (VUWC1541**C**). Next, specify hinge preference ("R" for right or "L" for left), and then color code (VUWC1541**CRSS**).



★ Please see **Installation Notes & Accessories** for important information, including handle and trim kits.

### Dimensions & Specifications

#### PRODUCT DIMENSIONS



**VUWC1541**  
Professional

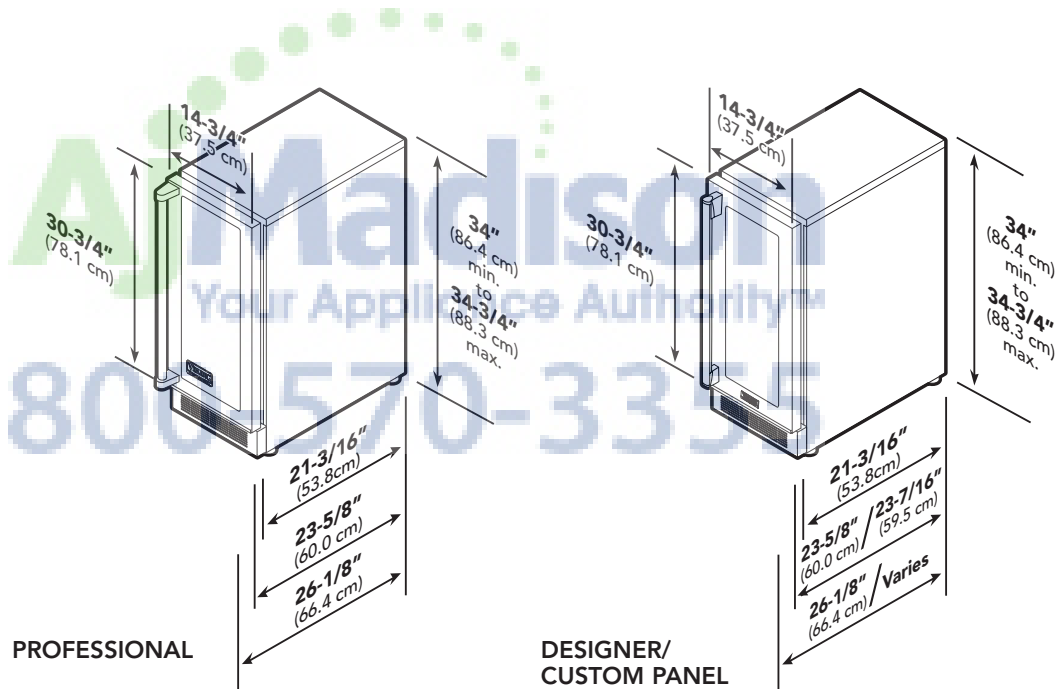


**DUWC1541**  
Designer



**DFUW1541**  
Custom Panel

See **Custom Panels** section for more information and additional specifications.



	<b>VUWC1541</b>	<b>DUWC1541</b>	<b>DFUW1541</b>
Overall width		<b>14-3/4" (37.5 cm)</b>	
Overall height (from bottom)		<b>34" (86.4 cm) min. to 34-3/4" (88.3 cm) max.</b>	
Overall depth (from rear)			
To front of handle	26-1/8" (66.4 cm)	26-1/8" (66.4 cm)	Varies
With door open		<b>37-3/16" (94.5 cm)</b>	
Approx. ship weight		<b>110 lbs. (49.5 kg)</b>	



## Dimensions & Specifications

### DOOR SWING



**VUWC1541**  
Professional

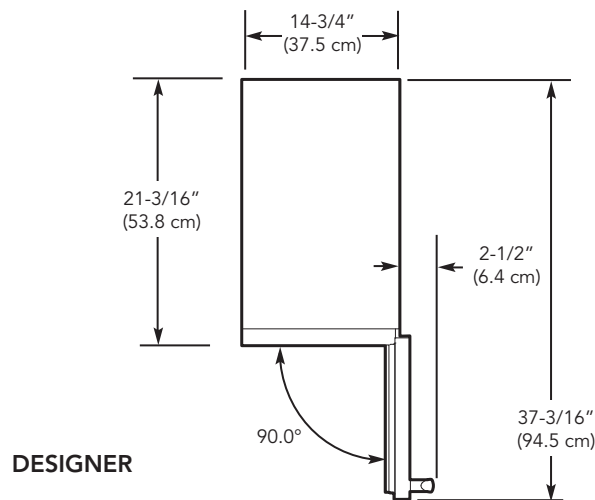
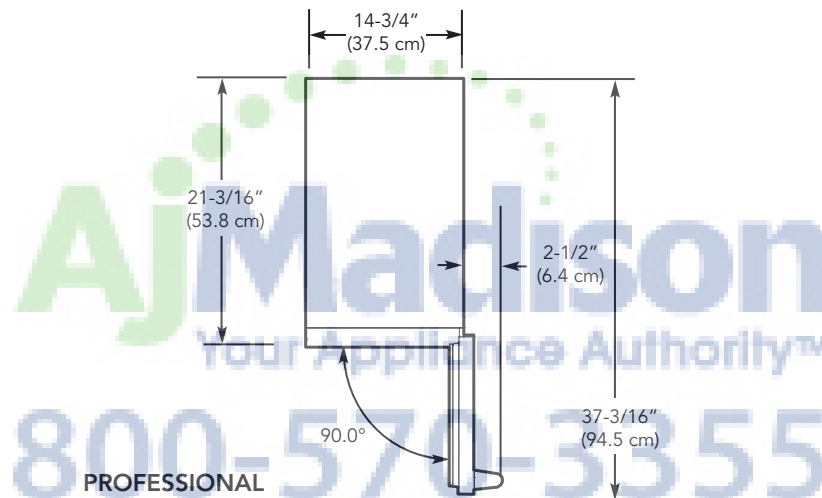


**DUWC1541**  
Designer



**DFUW1541**  
Custom Panel

See **Custom Panels** section for more information and additional specifications.





### UTILITY REQUIREMENTS



**GAS**  
Not applicable



**ELECTRICAL**

- Three-wire cord with grounded, three-prong plug attached to product
- 115 VAC/60 Hz; 15 amp dedicated circuit
- Maximum amp usage—3.0



**PLUMBING**  
Not applicable

## Installation Requirements

### ACCESS REQUIREMENTS



**VUWC1541**  
Professional



**DUWC1541**  
Designer



**DFUW1541**  
Custom Panel

See **Custom Panels** section for more information and additional specifications.



\*15" (38.1 cm) width for cabinet only. If door is recessed between cabinets, cabinet cutout must be 15-1/4" (38.7 cm).

All models	
Cutout width	15" (38.1 cm)*
Cutout height	34-1/4" (87.0 cm) min. to 35" (88.9 cm) max.
Cutout depth	24" (61.0 cm)



## ✦ Installation Notes & Accessories

### Handle Kits

- For use with custom panel 15"W. wine cellar
- For use on locally supplied custom panels
- Handles allow custom panel products to coordinate with other Professional & Designer products
- Kit includes one handle and installation hardware

Model	Description	Approx. ship wt. lbs. (kg)
PHK30-SS	Professional handle (Stainless Steel)	6 (2.7)
DDHK29-SS	Designer handle (Stainless Steel)	5 (2.3)

### Trim

- Stainless Steel (SS)
- Increases overall size of product to install in 18"W. cutout

Model	Description	Approx. ship wt. lbs. (kg)
TRIM-18	Trim for 18"W. cutout	5 (2.3)



### Compliance Information



### WARRANTY SUMMARY\*

- Two-year full warranty—complete unit
- Six-year full warranty—sealed refrigeration system (includes compressor, condenser, dryer/strainer, evaporator, and connecting tubing)
- Twelve-year limited warranty—sealed refrigeration system
- Ninety-day limited warranty—cosmetic parts such as glass, painted, and decorative items

\*For complete warranty see *Use & Care Guide*. Warranty valid on Viking products shipped within the United States and Canada.

