



Standard Features & Accessories

All models include

- Must also purchase interior or exterior ventilator kit, sold separately (see **Installation Notes & Accessories** for recommended Viking ventilator products)
 - 30" D.
- Heat sensor turns the ventilator on full power when cooking temperatures reach uncomfortable levels
- Variable speed controls for custom venting—separate on/off switch allows you to leave ventilator at favorite/most-used setting
- Heavy-duty construction; professional-type size, design, and styling
 - Virtually seamless stainless steel design with no visible screws
- Easy cleanup
 - Design of low-profile filter system means less interior hood space to be cleaned
 - Canopy interior is completely lined in stainless steel for increased rigidity, seamless appearance, and easy cleaning
- 50-watt halogen lights with dimmer control

- Power switch and dimmer control are separate, allowing you to leave dimmer at favorite position
- See **Dimensions & Specifications** table for number of lights per model

Professional models include

- 18" H.
- Commercial-type baffle filter system efficiently removes grease and heated vapors from the air; especially designed for use with commercial-type products
 - See **Dimensions & Specifications** table for number of filters per model
- Removable trough catches liquefied grease
- Duct cover must be ordered separately (see **Installation Notes & Accessories**)

Designer models include

- 14" H.
- 12-hour timer built into ventilator controls
- Dishwasher-safe, stainless steel mesh filters efficiently remove grease and heated vapors from the air, and are easily removed for quick cleaning

(frame and mesh are stainless steel); especially designed for use with commercial-type products

- See **Dimensions & Specifications** table for number of filters per model
- Delay feature allows you to set the ventilator to shut off on its own from 10 – 30 minutes later
- Duct cover must be ordered separately (see **Installation Notes & Accessories**)—covers available for installations with 8', 9', or 10" ceilings

Model numbers

VIH ISLAND HOODS

- VIH3608—36"W.
- VIH4208—42"W.
- VIH5408—54"W.
- VIH6608—66"W.

VCIH CLASSIC CHIMNEY ISLAND HOODS

- VCIH3608—36"W.
- VCIH4208—42"W.
- VCIH5408—54"W.
- VCIH6608—66"W.

DCIH CLASSIC CHIMNEY ISLAND HOODS

- DCIH3604—36"W.
- DCIH4204—42"W.
- DCIH5404—54"W.

Model Options



VIH Professional Island Hood*

- FINISH DETAILS**
- Stainless Steel (SS), Black (BK), White (WH), Metallic Silver (MS), Graphite Gray (GG), Stone Gray (SG), Taupe (TP), Biscuit (BT), Cotton White (CW), Oyster Gray (OG), Golden Mist (GM), Lemonade (LE), Sage (SA), Mint Julep (MJ), Sea Glass (SE), Iridescent Blue (IB), Viking Blue (VB), Pumpkin (PM), Racing Red (RR), Apple Red (AR), Burgundy (BU), Plum (PL), Chocolate (CH), and Cobalt Blue (CB).
 - Finish designates front, back, and sides.



VCIH Professional Classic Chimney Island Hood*

- EXTRA FINISH DETAILS FOR VIH/VCIH MODELS**
- Accessory Rail Option—front/back or front/back/sides (must be ordered factory installed)
 - Stainless Steel/Chrome (CR)—Stainless steel rail with chrome supports/brackets and hooks (included)
 - CR2—front/back
 - CR4—front/back/sides
 - Brass Trim Option (BR)—nameplate, rail, supports/brackets, and hooks (included). Brass components have a durable protective coating for maintenance-free normal use.
 - BR2—front/back
 - BR4—front/back/sides



DCIH Designer Chimney Island Hood*

- EXTRA FINISH DETAILS FOR DCIH MODELS**
- Accessory Rail Option—around entire hood (must be ordered factory installed)
 - Stainless Steel/Chrome (CR4)—Stainless steel rail with chrome supports/brackets and hooks (included)
 - Brass Trim Option (BR4)—rail, supports/brackets, and hooks (included). Brass components have a durable protective coating for maintenance-free normal use.

*Shown throughout with duct cover, sold separately (see **Installation Notes & Accessories**).

ORDERING INSTRUCTIONS

First specify model number, followed by color code (VIH3608SS). If ordering optional decorative rail(s), specify code at end (VIH3608SSCR).



★ Please see Installation Notes & Accessories for important information, including ventilator kits and duct covers.

Dimensions & Specifications

PRODUCT DIMENSIONS



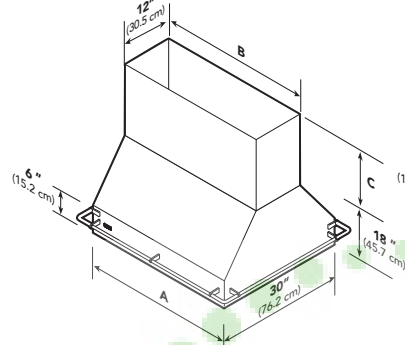
VIH Professional Island Hood



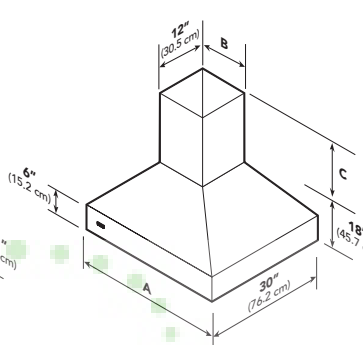
VCIH Professional Classic Chimney Island Hood



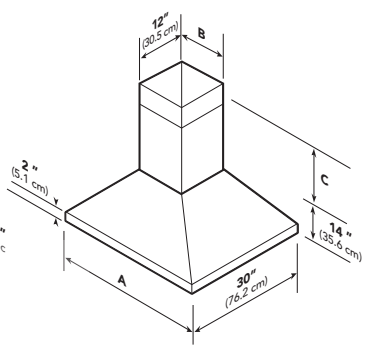
DCIH Designer Chimney Island Hood



PROFESSIONAL ISLAND HOOD



PROFESSIONAL CLASSIC CHIMNEY ISLAND HOOD



DESIGNER CHIMNEY ISLAND HOOD

Model	Hood Width (A)	Hood Height	Width (B)	Duct Cover Depth	Height (C)	Lights	Filters	Heat Lamps	Approx. Ship. wt.
VIH3608	35-7/8" (91.1 cm)	18" (45.7 cm)	35-7/8" (91.1 cm)	12" (30.5 cm)	12" (30.5 cm)	4	4	N/A	81 lbs. (36.5 kg)
VIH4208	41-7/8" (106.4 cm)	18" (45.7 cm)	41-7/8" (106.4 cm)	12" (30.5 cm)	12" (30.5 cm)	4	4	N/A	92 lbs. (41.4 kg)
VIH5408	53-7/8" (136.8 cm)	18" (45.7 cm)	53-7/8" (136.8 cm)	12" (30.5 cm)	12" (30.5 cm)	6	6	N/A	127 lbs. (57.2 kg)
VIH6608	65-7/8" (167.3 cm)	18" (45.7 cm)	65-7/8" (167.3 cm)	12" (30.5 cm)	12" (30.5 cm)	8	8	N/A	142 lbs. (63.9 kg)
VCIH3608	35-7/8" (91.1 cm)	18" (45.7 cm)	12" (30.5 cm)	12" (30.5 cm)	12" (30.5 cm)— 24" (61.0 cm)— 36" (91.4 cm)	4	4	N/A	92 lbs. (41.1 kg)
VCIH4208	41-7/8" (106.4 cm)	18" (45.7 cm)	12" (30.5 cm)	12" (30.5 cm)	12" (30.5 cm)— 24" (61.0 cm)— 36" (91.4 cm)	4	4	N/A	127 lbs. (57.4 kg)
VCIH5408	53-7/8" (136.8 cm)	18" (45.7 cm)	18" (45.7 cm)	12" (30.5 cm)	12" (30.5 cm)— 24" (61.0 cm)— 36" (91.4 cm)	6	6	N/A	142 lbs. (63.9 kg)
VCIH6608	65-7/8" (167.3 cm)	18" (45.7 cm)	24" (70.0 cm)	12" (30.5 cm)	12" (30.5 cm)— 24" (61.0 cm)— 36" (91.4 cm)	8	8	N/A	158 lbs. (71.6 kg)
DCIH3604	35-7/8" (91.1 cm)	14" (35.6 cm)	12" (30.5 cm)	12" (30.5 cm)	16" (40.6 cm)— 28" (71.1 cm)— 40" (101.6 cm)	4	2	N/A	92 lbs. (41.4 kg)
DCIH4204	41-7/8" (106.4 cm)	14" (35.6 cm)	12" (30.5 cm)	12" (30.5 cm)	16" (40.6 cm)— 28" (71.1 cm)— 40" (101.6 cm)	4	3	N/A	105 lbs. (47.3 kg)
DCIH5404	53-7/8" (136.8 cm)	14" (35.6 cm)	18" (45.7 cm)	12" (30.5 cm)	16" (40.6 cm)— 28" (71.1 cm)— 40" (101.6 cm)	6	3	N/A	148 lbs. (66.6 kg)



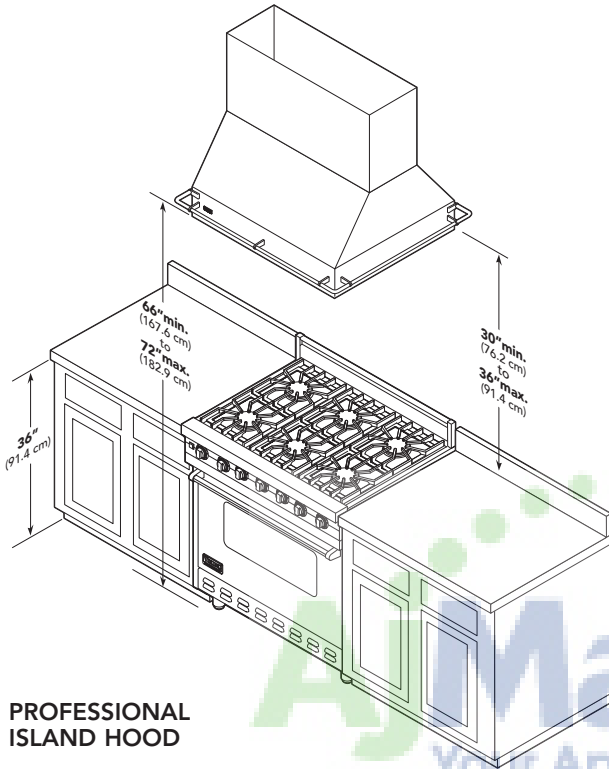
VIKING
DESIGNER

VENTILATION Built-In Island/Classic Chimney Island Hood

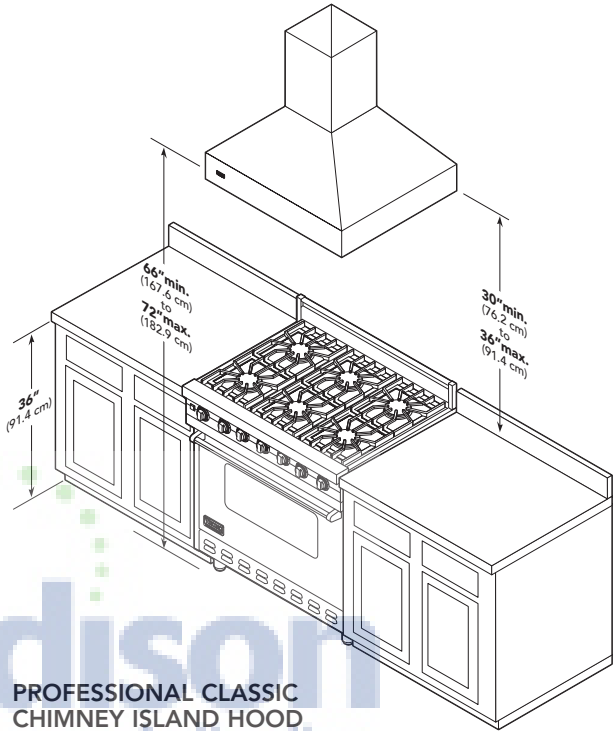


Dimensions & Specifications

CLEARANCE DIMENSIONS



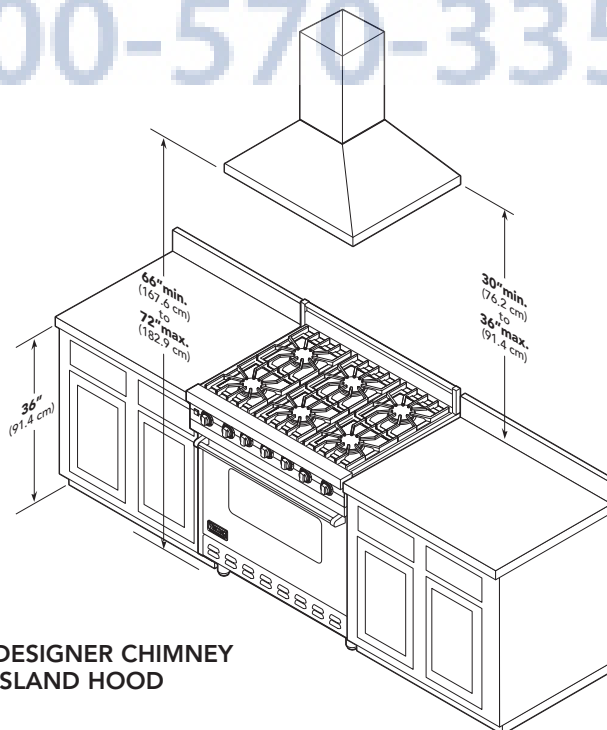
PROFESSIONAL ISLAND HOOD



PROFESSIONAL CLASSIC CHIMNEY ISLAND HOOD

Madison
Your Appliance Authority™

800-570-3355



DESIGNER CHIMNEY ISLAND HOOD





VIKING DESIGNER

VENTILATION Built-In Island/Classic Chimney Island Hood



Installation Requirements



VIH Professional Island Hood



VCIH Professional Classic Chimney Island Hood



DCIH Designer Chimney Island Hood

UTILITY REQUIREMENTS

Proper installation/ducting is extremely important to ensure maximum performance. Use a qualified and trained installer.



DUCTING

- Check with a qualified and trained installer or local codes for makeup air requirements, if any.
- Max. duct run
 - For 300 – 1,200 CFM—50' (152.4 m)
 - For 1,500 CFM—75' (22.9 m)
 - Duct run length is for general reference only; for longer duct runs, increase duct size and contact a qualified and trained installer.



GAS

Not applicable



ELECTRICAL

- Hardwire direct with two-wire with ground
- 120 VAC/60 Hz
- Max. amp usage (rating includes rec. ventilator kit rating)



PLUMBING

Not applicable

Note: All CFMs are based on tests with 0.1 static pressure. Without applying static pressure (some brands do not), CFM could be greatly overstated.

Madison
Your Appliance Authority™
800-570-3355

Model	Ventilator Kits		Duct Size		Max. Amps	
	Interior	Exterior	Interior	Exterior	Interior	Exterior
VIH3608	VIV600/1200*	VEV900/1200* VIL900/1200*	7" (17.8 cm)/ 10" (25.4 cm)	10" (25.4 cm)	4.9/7.4	7.4/4.7
VIH4208	VIV600/1200*	VEV900/1200/1500* VIL900/1200*	7" (17.8 cm)/ 10" (25.4 cm)	10" (25.4 cm)	4.9/7.4	7.4/4.7/5.5
VIH5408	VIV1200*	VEV1200/1500**/VIL1200	10" (25.4 cm)	10" (25.4 cm)	8.2	5.5/6.2
VIH6608	VIV1200*	VEV1200/1500**/VIL1200	10" (25.4 cm)	10" (25.4 cm)	8.2	5.5/6.2
VCIH3608	DIV600*	DEV900/1200* DIL900/1200	7" (17.8 cm)	10" (25.4 cm)	3.9	6.6/3.9
VCIH4208	DIV600*	DEV900/1200/1500* DIL900/1200	7" (17.8 cm)	10" (25.4 cm)	4.7	7.4/4.8/5.5
VCIH5408	DIV1200*	DEV1200/1500**/DIL1200	10" (25.4 cm)	10" (25.4 cm)	8.6	5.6/6.4
VCIH6608	DIV1200*	DEV1200/1500**/DIL1200	10" (25.4 cm)	10" (25.4 cm)	9.5	6.5/7.3
DCIH3604	DIV600	DEV900/DEV1200*/DIL900	7" (17.8 cm)	10" (25.4 cm)	4.7	8.6
DCIH4204	DIV600	DEV1200/DEV1500** DIL1200	7" (17.8 cm)	10" (25.4 cm)	4.7	7.4/4.7/5.5
DCIH5404	DIV1200*	DEV1200/DEV1500** DIL1200	10" (25.4 cm)	10" (25.4 cm)	8.6	5.6/6.4

* A 1,200 CFM interior- or exterior-power ventilator should be used when installed over range/rangetop with gas char-grill.

** It is recommended that the 1,500 CFM ventilator be used with longer duct runs.

Note: Maximum amp rating for hoods includes recommended ventilator kit rating. All products must be hard wired with two-wire ground. An interior- or exterior-power ventilator kit must be purchased for installation with all 18"H. hoods.





VIKING
DESIGNER

VENTILATION

Built-In Island/Classic Chimney Island Hood



✦ Installation Notes & Accessories

Ventilator Kits

- See **Installation Requirements** table for recommendations for each hood model
- One ventilator, one duct run for any size hood/ventilator
- A 1,200 CFM interior or 1,500 CFM exterior (if applicable) ventilator should be used over ranges/rangetops with gas grill
- Must use Viking ventilator kits with Viking hoods; use of non-Viking kits voids product warranty

Kit model	Description	Hood models	Approx. ship wt. lbs. (kg)
VIV600	600 CFM interior-power	VIH3608/4208	27 (12.2)
VIV1200	1,200 CFM interior-power	VIH3608/4208/5408/6608	43 (19.4)
VEV900	900 CFM exterior-power	VIH3608/4208	39 (17.6)
VEV1200	1,200 CFM exterior-power	VIH3608/4208/5408/6608	53 (23.9)
VEV1500	1,500 CFM exterior-power	VIH4208/5408/6608	47 (21.3)
DIV600	600 CFM interior-power	VCIH3608/4208 & DCIH3604/4204	27 (12.2)
DIV1200	1,200 CFM interior-power	VCIH5408/6608 & DCIH5404	43 (19.4)
DEV900	900 CFM exterior-power	VCIH3608/4208 & DCIH3604/4204	39 (17.6)
DEV1200	1,200 CFM exterior-power	VCIH3608/4208/5408/6608 & DCIH3604/4204/5404	53 (23.9)
DEV1500	1,500 CFM exterior-power	VCIH4208/5408/6608 & DCIH4204/5404	47 (21.3)
VIL900	900 CFM in-line power	VIH3608/4208	20 (9.1)
VIL1200	1,200 CFM in-line power	VIH3608/4208/5408/6608	25 (11.3)
DIL900	900 CFM in-line power	VCIH3608/4208 & DCIH3604/4204	20 (9.1)
DIL1200	1,200 CFM in-line power	VCIH3608/4208/5408/6608 & DCIH3604/4204/5404	25 (11.3)





✦ Installation Notes & Accessories

Duct Covers

- 12"D.
- DCI for VIH models
 - Extend height of hood by 12"; conceal duct
- VCCI for VCIH models
 - For 8', 9', or 10' ceilings
- DCCI for DCIH models
 - For 8', 9', or 10' ceilings
- Professional covers (DCI & VCCI) available in Stainless Steel (SS), Black (BK), White (WH), Metallic Silver (MS), Graphite Gray (GG), Stone Gray (SG), Taupe (TP), Biscuit (BT), Cotton White (CW), Oyster Gray (OG), Golden Mist (GM), Lemonade (LE), Sage (SA), Mint Julep (MJ), Sea Glass (SE), Iridescent Blue (IB), Viking Blue (VB), Pumpkin (PM), Racing Red (RR), Apple Red (AR), Burgundy (BU), Plum (PL), Chocolate (CH), and Cobalt Blue (CB).
- Designer covers (DCCI) available in Stainless Steel (SS), Black (BK), White (WH), Metallic Silver (MS), Graphite Gray (GG), Stone Gray (SG), Taupe (TP), Biscuit (BT), Cotton White (CW), Oyster Gray (OG), Golden Mist (GM), Lemonade (LE), Sage (SA), Mint Julep (MJ), Sea Glass (SE), Iridescent Blue (IB), Viking Blue (VB), Pumpkin (PM), Racing Red (RR), Apple Red (AR), Burgundy (BU), Plum (PL), Chocolate (CH), and Cobalt Blue (CB).
- When ordering, specify finish code following accessory model number (for example, DCI36-SS)

Model	Description	Approx. ship wt. lbs. (kg)
DCI36	Professional island hood 36"W. duct cover	15 (6.8)
DCI42	Professional island hood 42"W. duct cover	18 (8.1)
DCI54	Professional island hood 54"W. duct cover	24 (10.8)
DCI66	Professional island hood 66"W. duct cover	34 (15.3)
VCCI3608	Professional chimney island hood 36"W./12"H. duct cover (for 8' ceilings)	20 (9.0)
VCCI3609	Professional chimney island hood 36"W./24"H. duct cover (for 9' ceilings)	35 (15.8)
VCCI3610	Professional chimney island hood 36"W./36"H. duct cover (for 10' ceilings)	50 (22.5)
VCCI4208	Professional chimney island hood 42"W./12"H. duct cover (for 8' ceilings)	24 (10.8)
VCCI4209	Professional chimney island hood 42"W./24"H. duct cover (for 9' ceilings)	42 (18.9)
VCCI4210	Professional chimney island hood 42"W./36"H. duct cover (for 10' ceilings)	60 (27.0)
VCCI5408	Professional chimney island hood 54"W./12"H. duct cover (for 8' ceilings)	32 (14.4)
VCCI5409	Professional chimney island hood 54"W./54"H. duct cover (for 9' ceilings)	56 (25.2)
VCCI5410	Professional chimney island hood 54"W./36"H. duct cover (for 10' ceilings)	80 (36.0)
VCCI6608	Professional chimney island hood 66"W./12"H. duct cover (for 8' ceilings)	42 (18.9)
VCCI6609	Professional chimney island hood 66"W./24"H. duct cover (for 9' ceilings)	69 (31.1)
VCCI6610	Professional chimney island hood 66"W./36"H. duct cover (for 10' ceilings)	90 (40.5)
DCCI3608	Designer chimney island hood 36"W./16"H. duct cover (for 8' ceilings)	20 (9.0)
DCCI3609	Designer chimney island hood 36"W./28"H. duct cover (for 9' ceilings)	35 (15.8)
DCCI3610	Designer chimney island hood 36"W./40"H. duct cover (for 10' ceilings)	50 (22.5)
DCCI4208	Designer chimney island hood 42"W./16"H. duct cover (for 8' ceilings)	24 (10.8)
DCCI4209	Designer chimney island hood 42"W./28"H. duct cover (for 9' ceilings)	42 (18.9)
DCCI4210	Designer chimney island hood 42"W./40"H. duct cover (for 10' ceilings)	60 (27.0)
DCCI5408	Designer chimney island hood 54"W./16"H. duct cover (for 8' ceilings)	32 (14.4)
DCCI5409	Designer chimney island hood 54"W./28"H. duct cover (for 9' ceilings)	56 (25.2)
DCCI5410	Designer chimney island hood 54"W./40"H. duct cover (for 10' ceilings)	80 (36.0)

Compliance Information



WARRANTY SUMMARY*

- One-year full warranty—complete product
- Five-year limited warranty—all ventilator motors
- Ninety-day limited warranty—cosmetic parts such as glass, painted, and decorative items

*Must use Viking ventilator kits with Viking hoods; use of non-Viking kits voids product warranty. For complete warranty see *Use & Care Guide*.
Warranty valid on Viking products shipped within the United States and Canada.

