



## Standard Features & Accessories

### Both models include

- Dimensioned to fit the majority of similarly sized cooktop cutouts
- Sealed burners with brass flame ports and porcelain/cast iron caps
- One-piece tooled top with large spill collection area around burners
- Heavy-duty stainless steel control knobs with childproof, push-to-turn safety feature

### 4B model includes

- Four burners
  - Left front—14,000 BTU high/2,000 BTU low
  - Left rear—12,000 BTU high/1,700 BTU low
  - Right rear—8,000 BTU high/1,200 BTU low
  - Right front—6,000 BTU high/950 BTU low

### 5B model includes

- Six burners
  - Left front—12,000 BTU high/1,700 BTU low
  - Left rear—10,000 BTU high/1,500 BTU low
  - Center—14,000 BTU high/2,000 BTU low
  - Right rear—8,000 BTU high/1,200 BTU low
  - Right front—6,000 BTU high/950 BTU low

## Model Options



**DGSU100-4B**  
30"W. Four-Burner Cooktop



**DGSU160-5B**  
36"W. Five-Burner Cooktop

### FINISH DETAILS FOR BOTH MODELS

- Stainless Steel (SS), Black (BK), White (WH), Graphite Gray (GG), Stone Gray (SG), and Biscuit (BT).
  - Finish designates top, black porcelain grates, porcelain burner caps, and knob grips.
- White (WH)
  - Finish designates top, gray porcelain grates, porcelain burner caps, and knob grips.
- Brass Trim Option (BR)—knobs. Brass components have a durable protective coating for maintenance-free normal use.

**Madison**  
Your Appliance Authority™  
800-570-3355

### ORDERING INSTRUCTIONS

First specify model number, and then color code (DGSU100-4BSS). If ordering optional brass trim, specify code at end (DGSU100-4BSSBR). If ordering optional LP conversion, specify code at end (DGSU100-4BSSBRLP).



★ Please see Notes & Accessories for important installation information, including conversion kits.

## Dimensions & Specifications

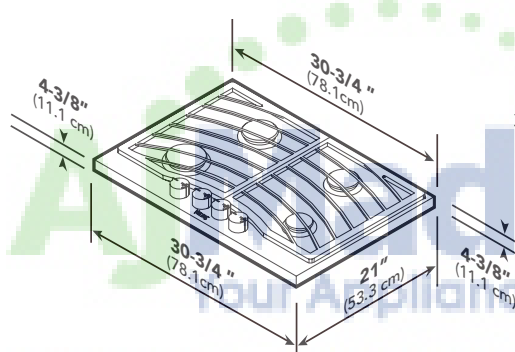
### OVERALL PRODUCT DIMENSIONS



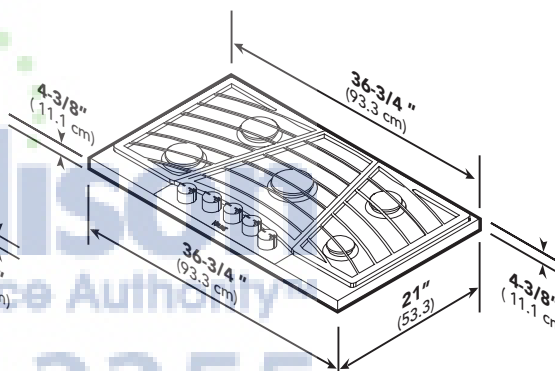
**DGSU100-4B**  
30"W. Four-Burner Cooktop



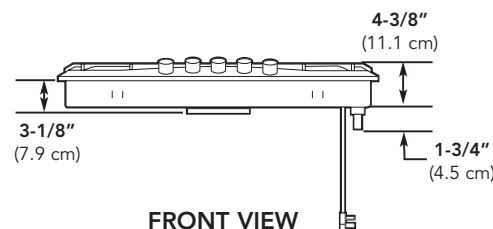
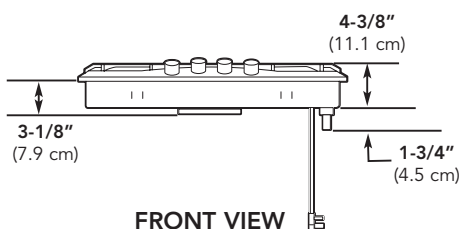
**DGSU160-5B**  
36"W. Five-Burner Cooktop



**30"W. Models**



**36"W. Models**

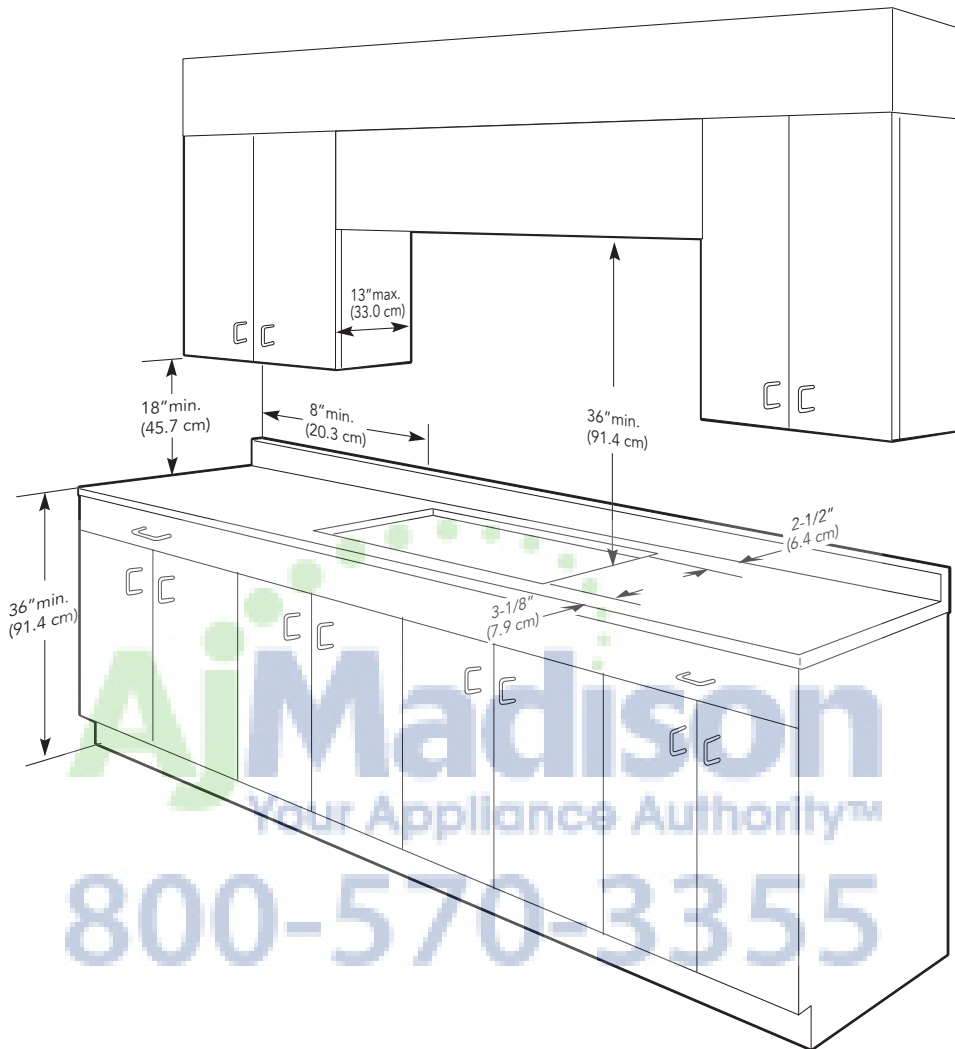


	<b>DGSU100-4B</b>	<b>DGSU160-5B</b>
Overall width	30-3/4" (78.1 cm)	36-3/4" (93.3 cm)
Overall height (top of grate to bottom)		4-3/8" (11.1 cm)
Overall depth (from rear)		21" (53.3 cm)



## Dimensions & Specifications

### CLEARANCE DIMENSIONS



#### Minimum clearances from adjacent combustible construction

- Sides—8" (20.3 cm)
- Rear—2-1/2" (6.4 cm) min.
- Within 8" (20.3 cm) side clearance; wall cabinets no deeper than 13" (33.0 cm)
- Must be minimum 18" (45.7 cm) above countertop
- Wall cabinets directly above cooktop must be minimum 36" (91.4 cm) above the countertop.

1. The cooktop may be installed directly to existing base cabinets.
2. The cooktop **cannot** be installed directly adjacent to sidewalls, tall cabinets, tall appliances, or other side vertical surfaces above 36" (91.4 cm) high. There must be a minimum of 8" (20.3 cm) side clearance from the cooktop to such combustible surfaces

3. above the 36" (91.4 cm) counter height. Within the 8" (20.3 cm) side clearance to combustible vertical surfaces above 36" (91.4 cm), the maximum wall cabinet depth must be 13" (33.0 cm) and wall cabinets within this 8" (20.3 cm) side clearance must be 18" (45.7 cm) above the 36" (91.4 cm) high countertop.
4. Wall cabinet above the cooktop must be a minimum of 36" (91.4 cm) above the countertop for a full width of the cooktop. This minimum height requirement does **not** apply if a rangehood is installed over the cooking surface.
5. A 120-volt wall receptacle should be located approximately 6" (15.2 cm) below the countertop cutout and 12" (30.5 cm) from the right side of the cutout.

The bottom of the hood should be 30" (76.2 cm) min. to 36" (91.4 cm) above the countertop. This would typically result in the bottom of the hood being 66" (167.6 cm) to 72" (182.9 cm) above the floor. Refer to the rangehood installation instructions for further information.

#### Warning

The use of cabinets for storage above the appliance may result in a potential burn hazard. If a cabinet storage is to be provided the risk can be reduced by installing a rangehood that projects horizontally a minimum of 5" (12.7 cm) beyond the bottom of the cabinets.



**UTILITY REQUIREMENTS**



**GAS**

- Shipped natural gas standard; to field convert from natural or LP/Propane, the orifice spuds and regulator must be physically changed.
  - o Order conversion kit DLPK to convert LP/propane. Highly recommend ordering Nat. or LP models.
- Accepts standard residential 1/2" (1.3 cm) ID gas service line
- Gas manifold pressure
  - o Natural gas 5.0" W.C.P.
  - o LP/propane 10.0" W.C.P.



**ELECTRICAL**

- 4-foot (121.9 cm) cord included with cooktop
- 3-wire with ground/3-prong plug
- 120 V/60 Hz
- Maximum amp usage—2.0



**PLUMBING**

Not applicable

**Installation Requirements**

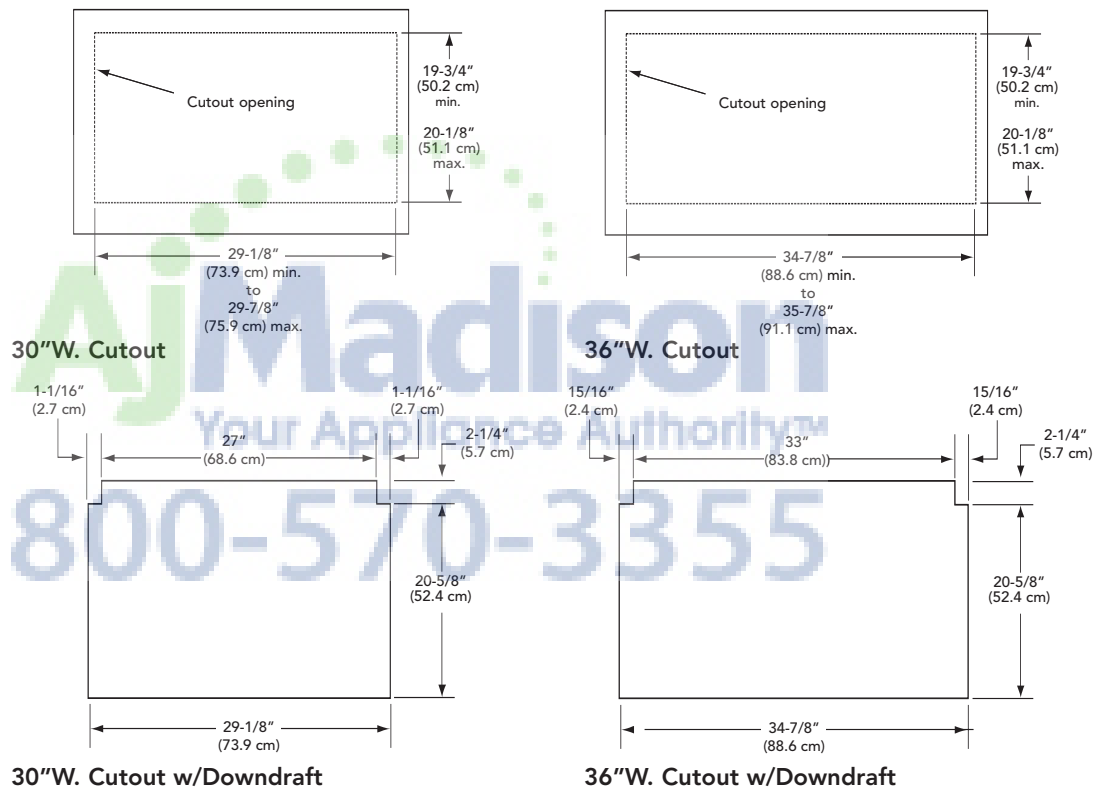
**ACCESS REQUIREMENTS**



**DGSU100-4B**  
**30"W. Four-Burner Cooktop**



**DGSU160-5B**  
**36"W. Five-Burner Cooktop**



	<b>DGSU100-4B</b>	<b>DGSU160-5B</b>
Cutout width	29-1/8" (74.0 cm) min. to 29-7/8" (75.9 cm) max.	34-7/8" (88.6 cm) min. to 35-7/8" (91.1 cm) max.
Cutout height	<b>3-1/8" (7.9 cm) min.*</b>	
Cutout depth	<b>19-3/4" (50.2 cm) min. to 20-1/8" (51.1 cm) max.</b>	
Surface burner rating		
Left front	14,000 BTU Nat. (4.1 kW)/13,500 BTU LP (4.0 kW)	12,000 BTU Nat. (3.5 kW)/11,500 BTU LP (2.8 kW)
Left rear	12,000 BTU Nat. (3.5 kW)/11,500 BTU LP (2.8 kW)	10,000 BTU Nat./LP (2.9 kW)
Right rear	<b>8,000 BTU Nat./LP (2.1 kW)</b>	
Right front	<b>6,000 BTU Nat./LP (1.8 kW)</b>	
Center	14,000 BTU Nat. (4.1 kW)/13,500 BTU LP (4.0 kW)	

\*Top of grate support should be 3/8" (1.0 cm) above countertop.

\*\*There must be a 1" (2.5 cm) clearance under counter on all 4 sides of the cooktop.



## ★ Installation Notes & Accessories

### Conversion Kits

- For field conversion between gas fuel types
- Kit includes all hardware necessary to convert a 30"W. or 36"W. DGSU cooktop

Model	Description	Approx. ship wt. lbs. (kg)
DLPK	Natural to LP/Propane conversion kit	2 (0.9)



### Compliance Information



### WARRANTY INFORMATION\*

- One-year full warranty—complete product
- Five-year limited warranty—surface burners
- Ninety-day limited warranty—cosmetic parts such as glass, painted, and decorative items

\* For complete warranty see *Use & Care Guide*. Warranty valid on Viking products shipped within the United States and Canada.