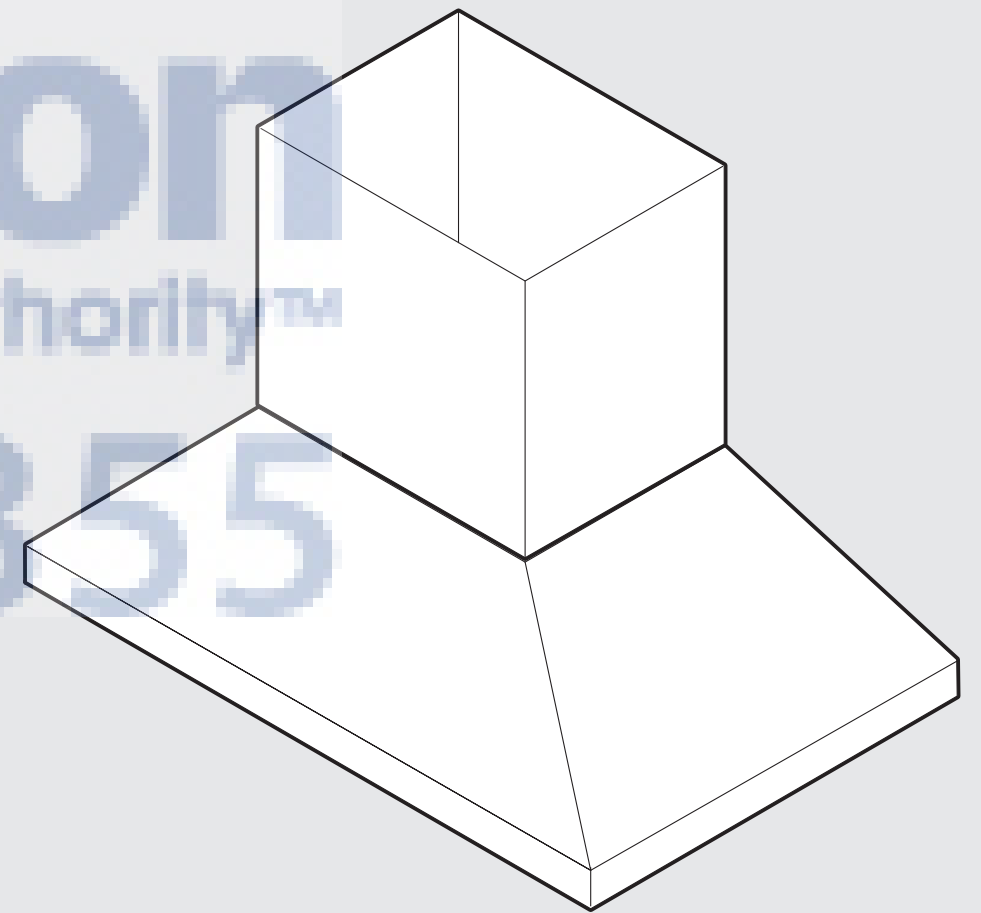


Viking Installation Guide



Viking Range Corporation
111 Front Street
Greenwood, Mississippi 38930 USA
(662) 455-1200

For product information,
call 1-888-VIKING1 (845-4641)
or visit the Viking Web site at
vikingrange.com



Designer Hoods



Table of Contents

Warnings & Important Information	3-4
DCH 12"H. Classic Chimney Wall Hoods w/Standard Ventilator	
Dimensions & Specifications	5
Clearance Dimensions	6
Interior Ventilator Dimensions	7
DPPV Custom Power Packs w/Standard Ventilator	
Dimensions & Specifications	8
Installing Hood Canopy	9
Clearance Dimensions	10
Interior Ventilator Dimensions	11
DCWH/DCWN/DCWL Classic Chimney Wall Hoods— Ledgeless & Ledge 30", 33", 36", 39", 42", 45", 48", & 51"	
Dimensions & Specifications	12
Clearance Dimensions	13
Interior Ventilator Dimensions	14
Exterior Ventilator Dimensions	15
DCIH Classic Chimney Island Hoods 36", 42", & 54"	
Dimensions & Specifications	16
Clearance Dimensions	17
Interior Ventilator Dimensions	18
Exterior Ventilator Dimensions	19
DTWS Slim Traditional Wall Hoods 30", 36", 42", & 48"	
Dimensions & Specifications	20
Clearance Dimensions	21
Interior Ventilator Dimensions	22
Exterior Ventilator Dimensions	23
DTWN Tall Traditional Wall Hoods—Ledgeless 30", 36", 42", & 48"	
Dimensions & Specifications	24
Clearance Dimensions	25
Interior Ventilator Dimensions	26
Exterior Ventilator Dimensions	27
DBCW Wall Custom Ventilator System	
Dimensions & Specifications	28
Installing Hood Canopy	29
Clearance Dimensions	30
DBCW Ventilator Dimensions	31
DICV Island Custom Ventilator System	
Dimensions & Specifications	33
Installing Hood Canopy	34
Clearance Dimensions	35
DICV Ventilator Dimensions	36
Planning Information	38
Installation Procedure	
Installation (DCH 12"H. Classic Chimney Wall Hoods w/Standard Ventilator)	39
Duct Cover Option (DCH 12"H. Classic Chimney Wall Hoods w/Standard Ventilator)	41
Installation (DCH 12"H. Classic Chimney Wall Hoods w/Recirculating Kit)	42
Installation (DCWH/DCWN/DCWL Classic Chimney & DTWN Tall Traditional Wall Hoods)	44
Duct Cover Option (DCWH/DCWN/DCWL Classic Chimney Wall Hoods)	45
Duct Cover Option (DTWN Tall Traditional Wall Hoods)	46
Installation (DTWS Slim Traditional)	46
Duct Cover Option (DTWS Slim Traditional Wall Hoods)	48
Installation (DCIH Classic Chimney Island Hoods)	50
Service & Registration	52

IMPORTANT—Please Read and Follow!

NOTE: If installing hood with warming shelf panel, install warming shelf panel first.

IMPORTANT – PLEASE READ AND FOLLOW

- Before beginning, please read these instructions completely and carefully.
- Do not remove permanently affixed labels, warnings, or plates from the product. This may void the warranty.
- Please observe all local and national codes and ordinances. If no local codes are applicable, wire in accordance with the National Electrical Code, ANSI/NFPA 70-latest edition.
- The installer should leave these instructions with the consumer who should retain for local inspector's use and for future reference.
- Check with a qualified and trained installer or local codes for makeup air requirement, if any.

This hood is for residential installation only and is not designed for installation over a commercial product. Make sure power is off at the main circuit breaker or fuse box before making connections. To avoid risk of fire, electric shock, or injury to persons, turn off the electricity to the hood from the power supply before servicing or cleaning.

Viking hoods are equipped with the variable speed controls for blowers. These units will not function with a single speed ventilator. All Viking ventilator kits are designed specifically for use with Viking hoods. Use of any non-Viking ventilator kit will void the hood warranty.

READ AND SAVE THESE INSTRUCTIONS

⚠ WARNING

TO REDUCE THE RISK OF A RANGETOP GREASE FIRE

1. Never leave surface units unattended at high setting. Boilovers cause smoking and greasy spillovers that may ignite. Heat oils slowly on low or medium settings.
2. Always turn hood ON when cooking at high heat or when cooking flaming foods. (i.e. crepes suzette, cherries jubilee, peppercorn beef flambé).
3. Clean ventilating fans frequently. Grease should not be allowed to accumulate on fan or filter.
4. Use proper pan size. Always use cookware appropriate for the size of the surface element.

⚠ WARNING

TO REDUCE THE RISK OF FIRE, ELECTRICAL SHOCK, OR INJURY TO PERSONS, OBSERVE THE FOLLOWING

1. Installation work and electrical wiring must be done by qualified person(s) in accordance with all applicable codes and standards, including fire-rated construction.
2. Sufficient air is needed for proper combustion and exhausting of gases through the flute (chimney) of fuel burning equipment to prevent back drafting. Follow the heating equipment manufacturer's guideline and safety standards such as those published by the National Fire Protection Association (NFPA), and the American Society for Heating, Refrigeration and Air Conditioning Engineers (ASHRAE), and the local code authorities.
3. When cutting or drilling into wall or ceiling, do not damage electrical wiring or other hidden utilities.
4. Ducted fans must always be vented to the outdoors.
5. **WARNING!** To reduce risk of fire, use only metal ductwork.
6. **CAUTION!** To reduce risk of fire and to properly exhaust air, be sure to duct air outside. Do not vent exhaust air into spaces within walls or ceilings, or into attics, crawl spaces, or garages.
7. **CAUTION!** To Reduce the Risk of Fire and Electric Shock, Install this rangehood only with remote blower models manufactured by Viking, model numbers – DEV900/DEV1200, VEV900/VEV1200, OR DEV1500, VEV1500 or integral blowers manufactured by Viking, model numbers – DIV300, DIV440, DIV600, DIV800, DIV1200, VIV300, VIV600, or VIV1200. NOTE – Please refer inside for specific canopy/blower combinations.

⚠ WARNING

TO REDUCE THE RISK OF FIRE, ELECTRIC SHOCK, OR INJURY TO PERSONS, OBSERVE THE FOLLOWING

- Use this unit only in the manner intended by the manufacturer. If you have any questions, contact the manufacturer.
- Before servicing or cleaning unit, switch power off at service panel and lock service panel to prevent power from being switched on accidentally. When the service disconnecting means cannot be locked, securely fasten a prominent warning device, such as a tag, to the service panel.

IMPORTANT—Please Read and Follow!

Dimensions & Specifications

(DCH 12"H. Classic Chimney Wall Hoods w/Standard Ventilator)

⚠ WARNING

TO REDUCE THE RISK OF INJURY TO PERSONS IN THE EVENT OF A RANGETOP GREASE FIRE, OBSERVE THE FOLLOWING. (Based on "Kitchen Firesafety Tips," published by NFPA.)

1. SMOTHER FLAMES with a close fitted lid, cookie sheet, or metal tray, then turn off the burner. BE CAREFUL TO PREVENT BURNS. If the flames do not go out immediately, EVACUATE AND CALL THE FIRE DEPARTMENT.
2. NEVER PICK UP A FLAMING PAN. You may be burned.
3. DO NOT USE WATER, including wet dishcloths or towels a violent steam explosion will result.
4. Use an extinguisher ONLY if
 - You know it is a Class ABC extinguisher, and you already know how to operate it.
 - The fire is small and contained in the area where it started.
 - The fire department is being called.
 - You can fight the fire with your back to an exit.

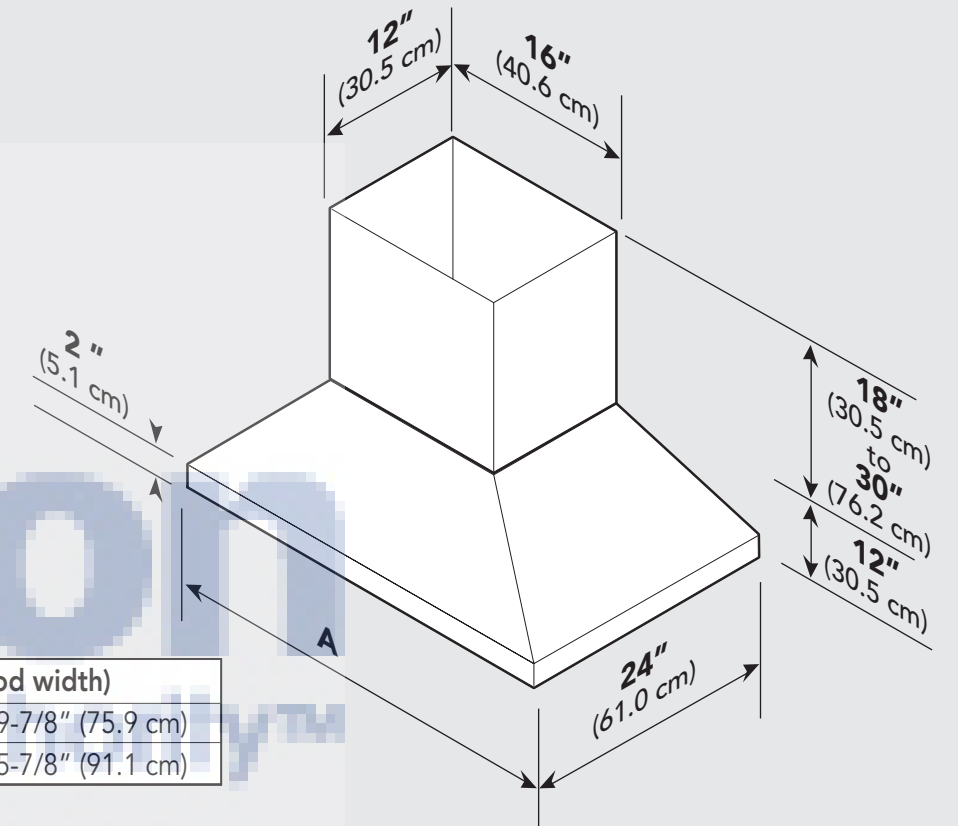
⚠ CAUTION

For general ventilating use only. Do not use to exhaust hazardous or explosive materials and vapors.

⚠ WARNING

TO REDUCE THE RISK OF FIRE, ELECTRICAL SHOCK, OR INJURY TO PERSONS

Rangehoods must be installed with the ventilators that are specified on their carton indicating suitability with this model. Other ventilators cannot be substituted.



A (Hood width)	
30"W.	29-7/8" (75.9 cm)
36"W.	35-7/8" (91.1 cm)

NOTE: Optional duct cover sold separately.

DCH 12"H. Classic Chimney Wall Hoods w/Standard Ventilator

Description	30"	36"
Duct cover width	16" (40.6 cm)	
Duct cover depth	12" (30.5 cm)	
Duct cover height	18" (45.7 cm) to 30" (76.2 cm)	
Number of lights	2	
Number of filters	2	
Interior ventilator kit	460 CFM	
Interior duct size*	7" (17.8 cm)	
Interior—Maximum amps	5.6	

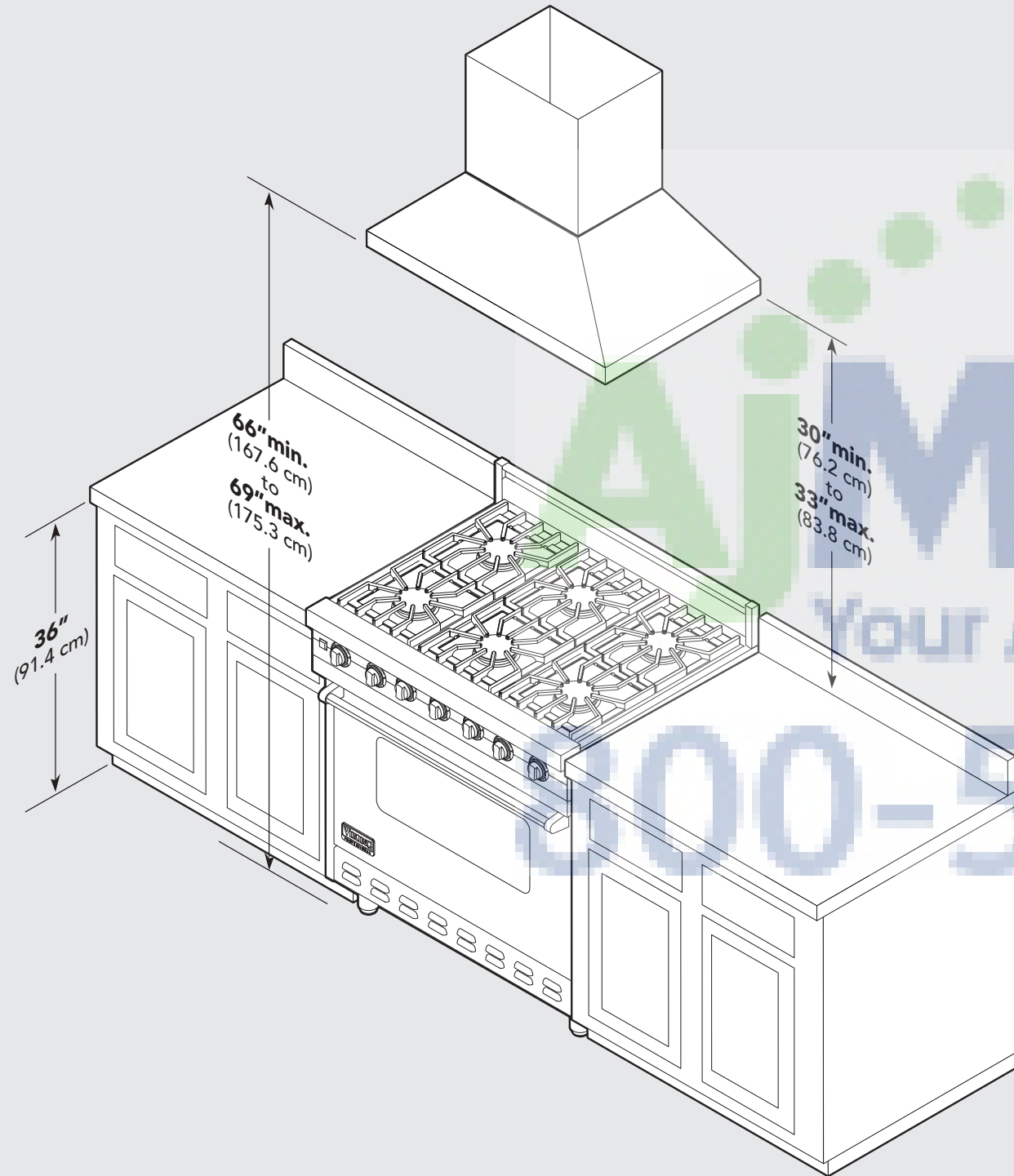
* Disregard when using recirculating kits. 460 CFM blower is shipped with hood.

NOTE: All products must be hard wired with 2-wire with ground.



Clearance Dimensions

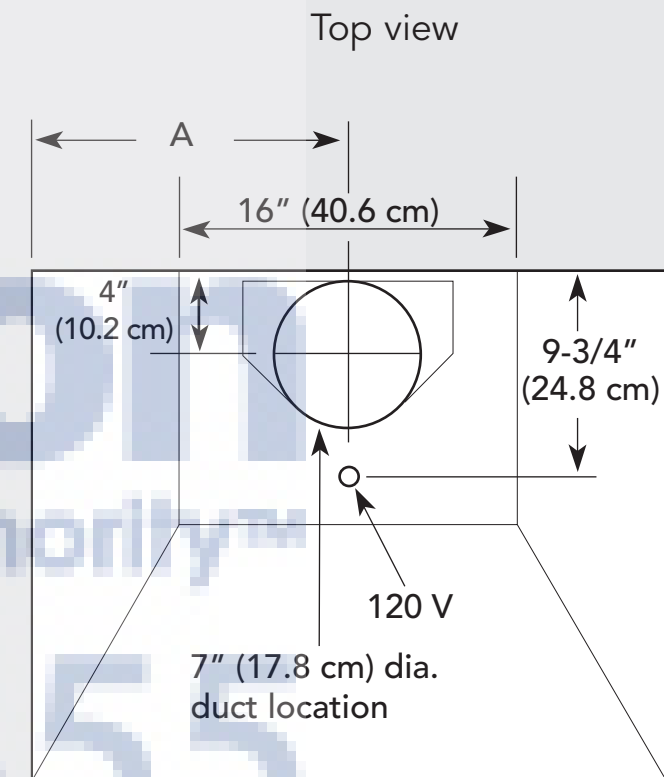
(DCH 12"H. Classic Chimney Wall Hoods w/Standard Ventilator)



Interior Ventilator Dimensions

(DCH 12"H. Classic Chimney Wall Hoods w/Standard Ventilator)

	A
30"W.	14-15/16" (37.9 cm)
36"W.	17-15/16" (45.6 cm)

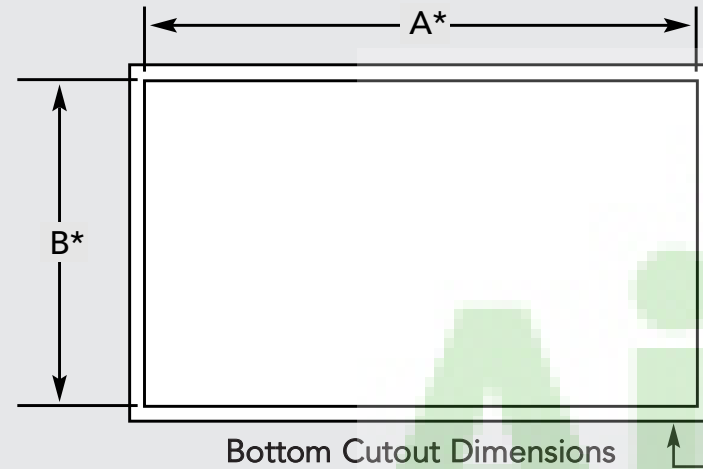


460 CFM Interior Ventilator Installation

Dimensions & Specifications

(DPPV Custom Power Packs w/Standard Ventilator System)

*For best results, center the unit over the burners of the cooking product (front to back; right to left).



Make sure the back wall of the custom hood canopy is flush with the cutout so the ventilator system may be mounted as shown on page 9.

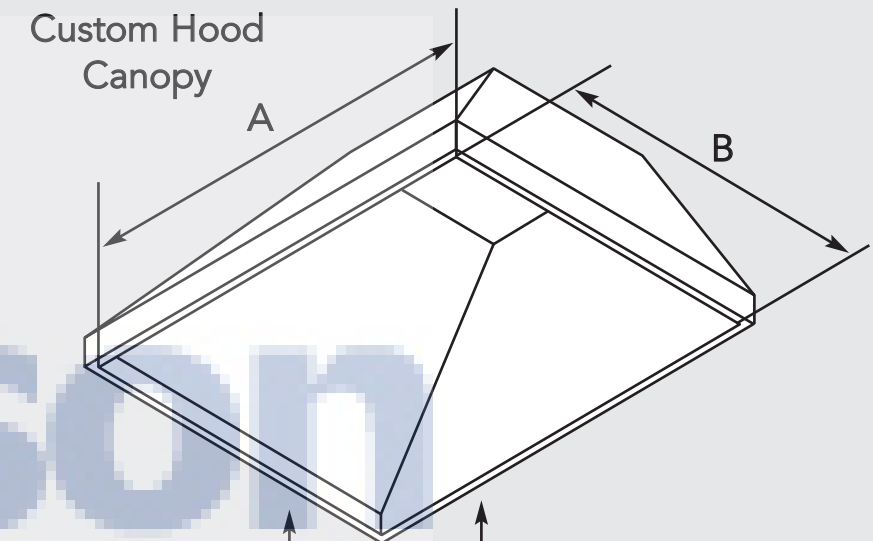
Power Packs		
Description	A (Hood Width)	B (Hood Depth)
30" W.	28-11/16" (72.9 cm)	16-1/2" (41.9 cm)
36" W.	34-11/16" (88.1 cm)	16-1/2" (41.9 cm)

DPPV Custom Power Packs w/Standard Ventilator System		
Description	30"	36"
Number of lights		2
Number of filters		2
Interior ventilator kit		460 CFM
Interior duct size		7" (17.8 cm)
Interior—Maximum amps		5.6

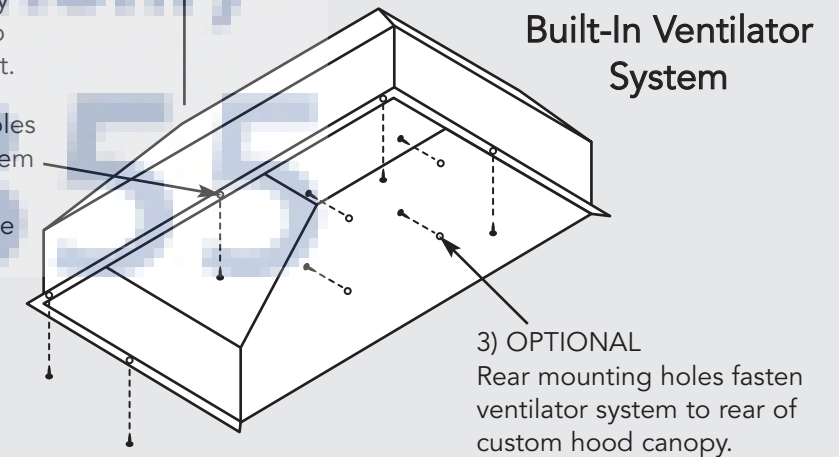
460 CFM blower is shipped with hood.
NOTE: All products must be hard wired with 2-wire with ground.

Installing Hood Canopy

(Custom Hood Canopy Cutouts)



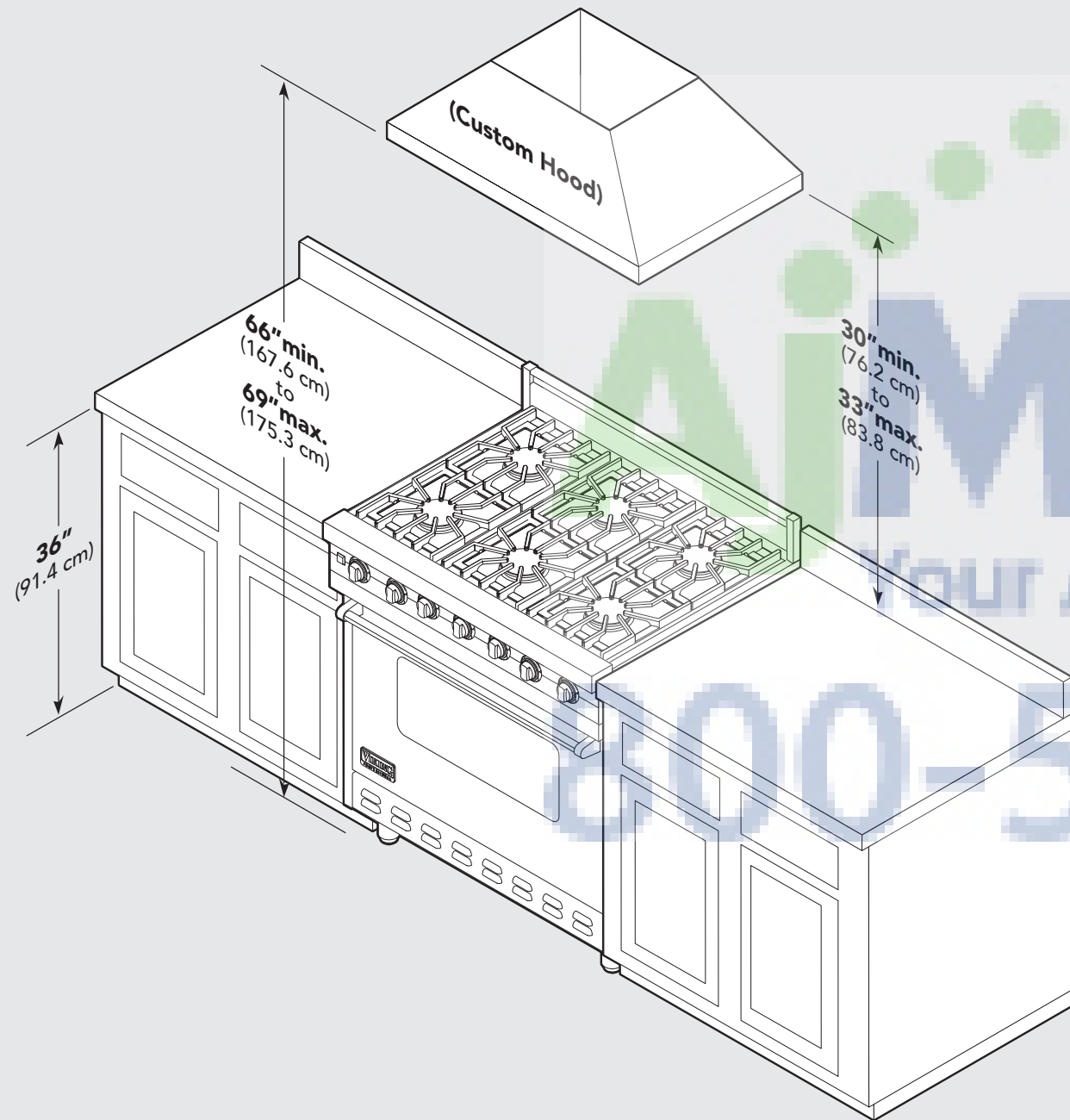
- 1) Position ventilator system inside of the custom hood canopy and center it front to back and left to right.
- 2) Bottom mounting holes fasten ventilator system to bottom of custom hood canopy with the screws provided.



- 3) OPTIONAL Rear mounting holes fasten ventilator system to rear of custom hood canopy.

Clearance Dimensions

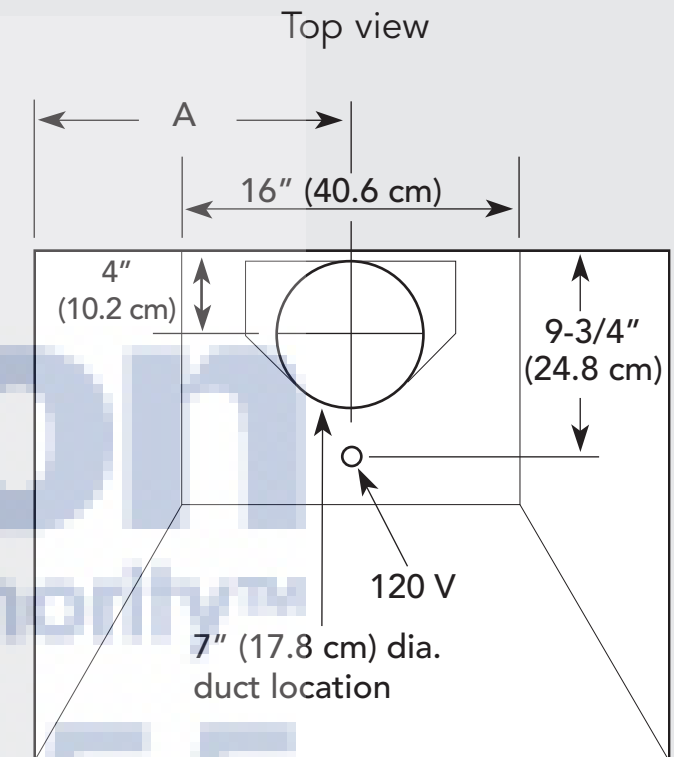
(DPPV Custom Power Packs w/Standard Ventilator System)



Interior Ventilator Dimensions

(DPPV Custom Power Packs w/Standard Ventilator System)

	A
30"W.	14-15/16" (37.9 cm)
36"W.	17-15/16" (45.6 cm)



460 CFM Interior Ventilator Installation

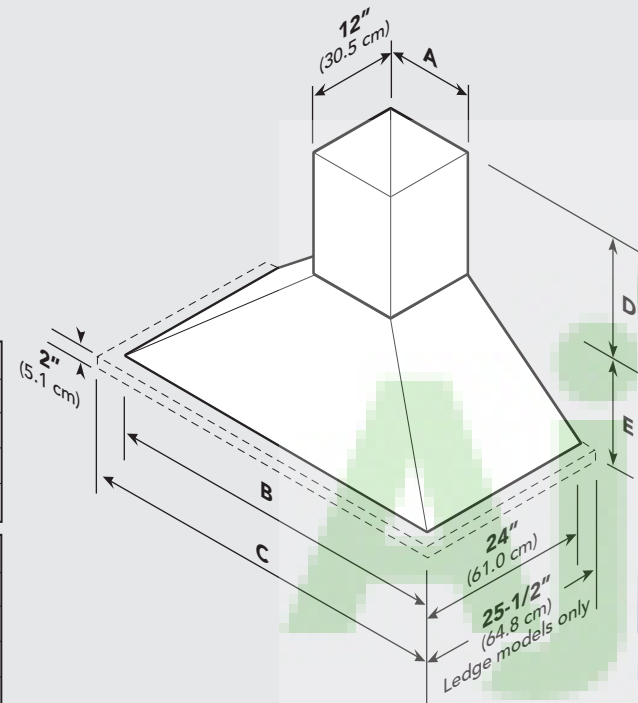
Dimensions & Specifications

(DCWH Classic Chimney Wall Hoods 30", 36", 42", & 48")
 (DCWN Ledgeless models 30", 36", 42", & 48")
 (DCWL Ledge models 33", 39", 45", & 51")

A (Duct cover width)	
30"W.	10" (25.4 cm)
33"W.	10" (25.4 cm)
36"W.	12" (30.5 cm)
39"W.	12" (30.5 cm)
42"W.	12" (30.5 cm)
45"W.	12" (30.5 cm)
48"W.	18" (45.7 cm)
51"W.	18" (45.7 cm)

B (Hood width)	
30"W.	29-7/8" (75.9 cm)
36"W.	35-7/8" (91.1 cm)
42"W.	41-7/8" (106.4 cm)
48"W.	47-7/8" (121.6 cm)

C (Hood width—Ledge models)	
33"W.	32-7/8" (83.5 cm)
39"W.	38-7/8" (98.4 cm)
45"W.	44-7/8" (114.0 cm)
51"W.	50-7/8" (129.2 cm)



D (Duct height)	
30"/33"W.	18" (45.7 cm) to 30" (76.2 cm)
36"/39"W.	16" (40.6 cm) to 28" (71.1 cm)
42"/45"W.	
48"/51"W.	

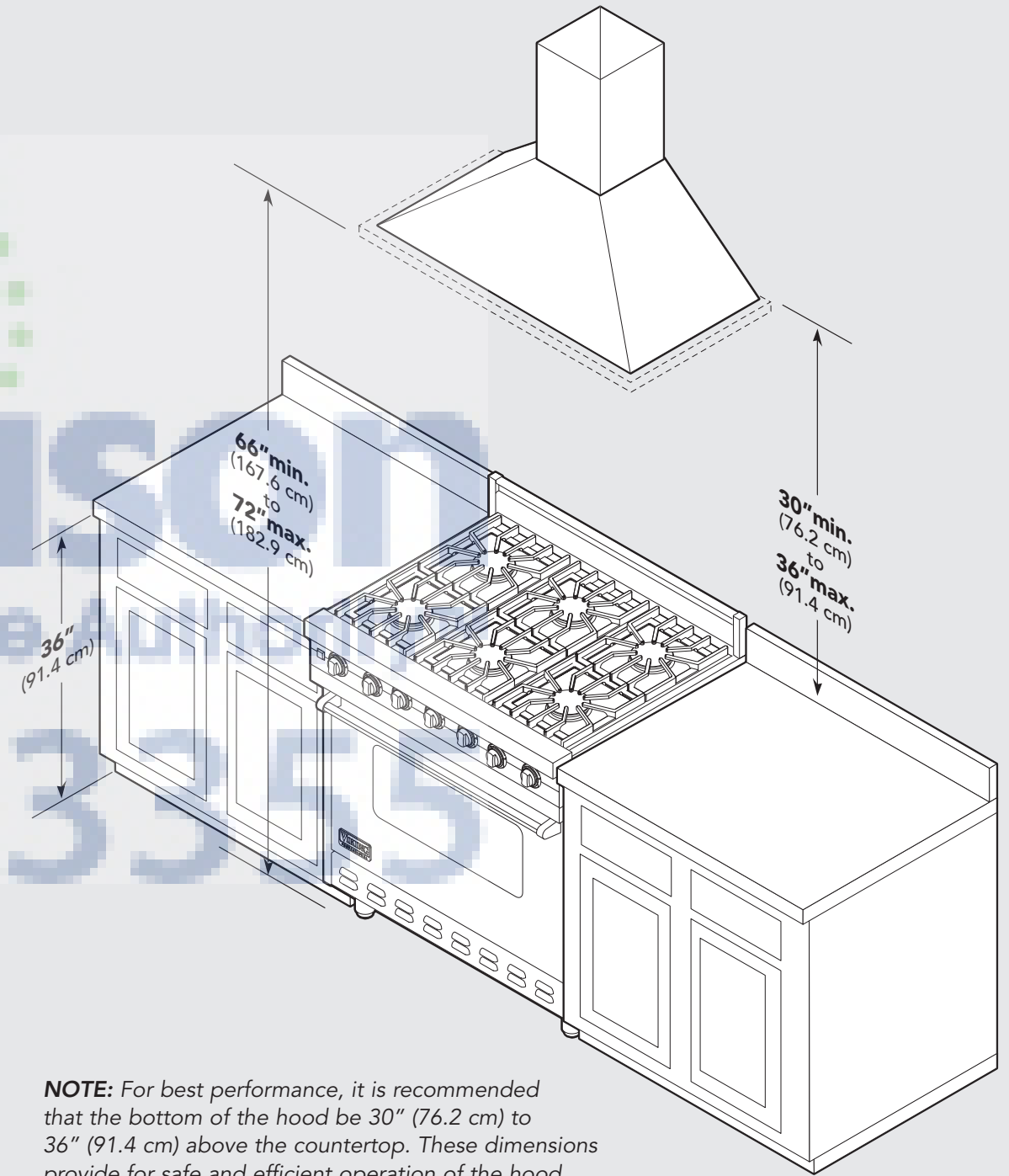
E (Hood height)	
30"W.	12" (30.5 cm)
33"W.	12" (30.5 cm)
36"W.	14" (35.6 cm)
39"W.	14" (35.6 cm)
42"W.	14" (35.6 cm)
45"W.	14" (35.6 cm)
48"W.	14" (35.6 cm)
51"W.	14" (35.6 cm)

DCWH/DCWN/DCWL Classic Chimney Wall Hoods—Ledgeless & Ledge				
Description	30"/33"	36"/39"	42"/45"	48"/51"
Duct cover width	10" (25.4 cm)	12" (30.5 cm)	12" (30.5 cm)	18" (45.7 cm)
Duct cover depth	12" (30.5 cm)			
Duct cover height	18" (45.7 cm) to 30" (76.2 cm)	16" (40.6 cm) to 28" (71.1 cm)	16" (40.6 cm) to 28" (71.1 cm)	16" (40.6 cm) to 28" (71.1 cm)
Number of lights	2	2	2	3
Number of filters	2	2	3	3
Interior ventilator kits	VINV300/600	VINV300/600	VINV600	VINV1200*
Exterior ventilator kits	DEV900/1200*	DEV900/1200*	DEV900/1200*	DEV1200*/1500**
In-line ventilator kits	DIL900/1200	DIL900/1200	DIL900/1200	DIL1200
Interior duct size	7" (17.8 cm)	7" (17.8 cm)	7" (17.8 cm)	10" (25.4 cm)
Exterior duct size	10" (25.4 cm)			
Interior—Maximum amps	2.8/3.8	2.8/3.8	3.8	7.3
Exterior—Maximum amps	6.6/3.9	6.6/3.9	6.6/3.9	4.3/5.1
In-Line—Maximum amps	3.9/5.7	3.9/5.7	3.9/5.7	6.1

* A 1,200 CFM interior- or exterior-power ventilator should be used when installed over range/rangetop with gas char-grill. Max duct run is 50 ft.
 ** It is recommended that the 1,500 CFM ventilator be used with longer duct runs. Max duct run is 75 ft.
NOTE: Maximum amp rating for hoods includes recommended ventilator kit rating; All products must be hard wired with 2-wire with ground. An interior- or exterior-power ventilator kit must be purchased for installation with all Designer hoods.

Clearance Dimensions

(DCWH/DCWN/DCWL Classic Chimney Wall Hoods)



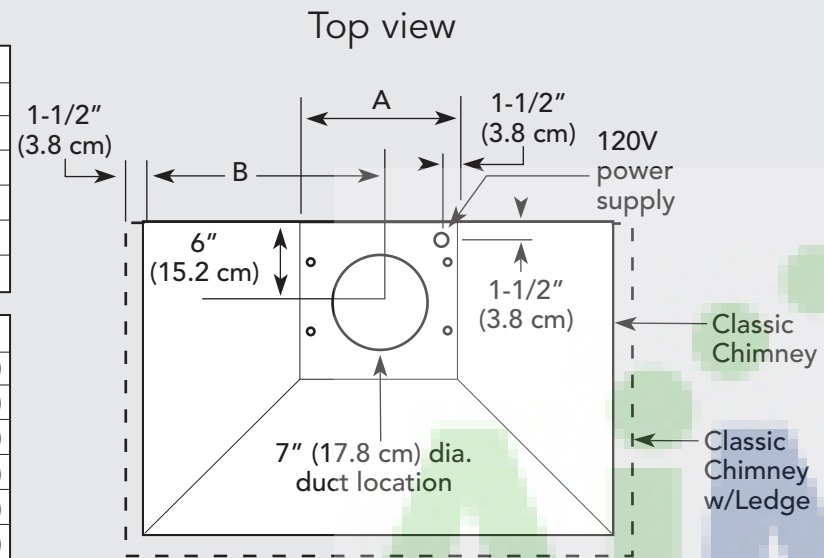
NOTE: For best performance, it is recommended that the bottom of the hood be 30" (76.2 cm) to 36" (91.4 cm) above the countertop. These dimensions provide for safe and efficient operation of the hood.

Interior Ventilator Dimensions

(DCWH/DCWN/DCWL Classic Chimney Wall Hoods)

A	
30"W.	10" (25.4 cm)
33"W.	10" (25.4 cm)
36"W.	12" (30.5 cm)
39"W.	12" (30.5 cm)
42"W.	12" (30.5 cm)
45"W.	12" (30.5 cm)

B	
30"W.	14-15/16" (37.9 cm)
33"W.	14-15/16" (37.9 cm)
36"W.	17-15/16" (45.6 cm)
39"W.	17-15/16" (45.6 cm)
42"W.	20-15/16" (53.2 cm)
45"W.	20-15/16" (53.2 cm)



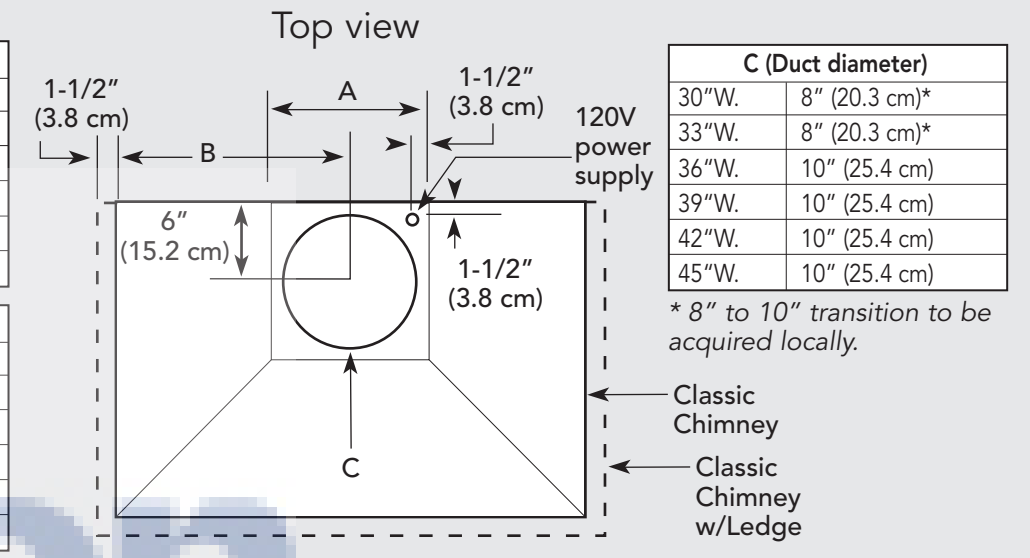
300 or 600 CFM Interior Ventilator Installation for 30", 33", 36", 39", 42", & 45" models

Exterior Ventilator Dimensions

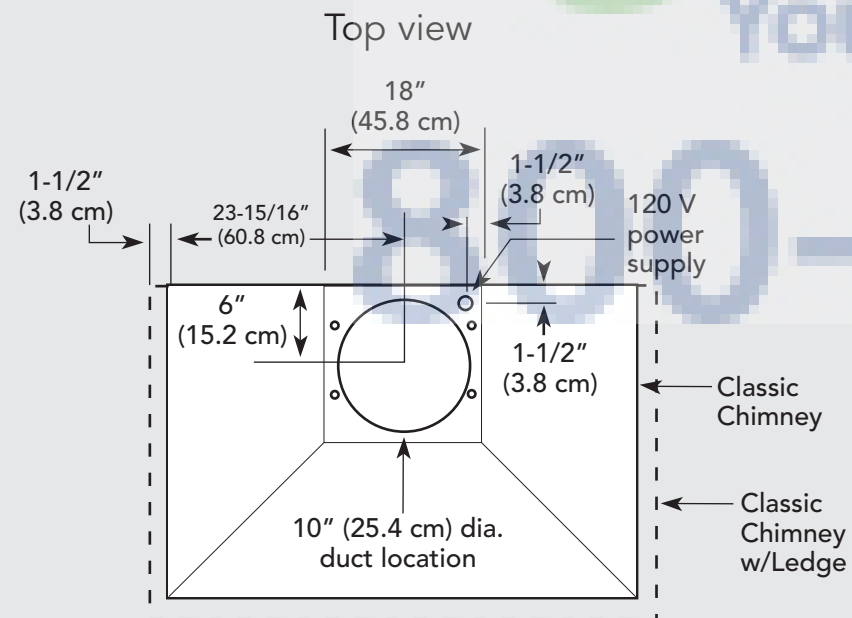
(DCWH/DCWN/DCWL Classic Chimney Wall Hoods)

A	
30"W.	10" (25.4 cm)
33"W.	10" (25.4 cm)
36"W.	12" (30.5 cm)
39"W.	12" (30.5 cm)
42"W.	12" (30.5 cm)
45"W.	12" (30.5 cm)

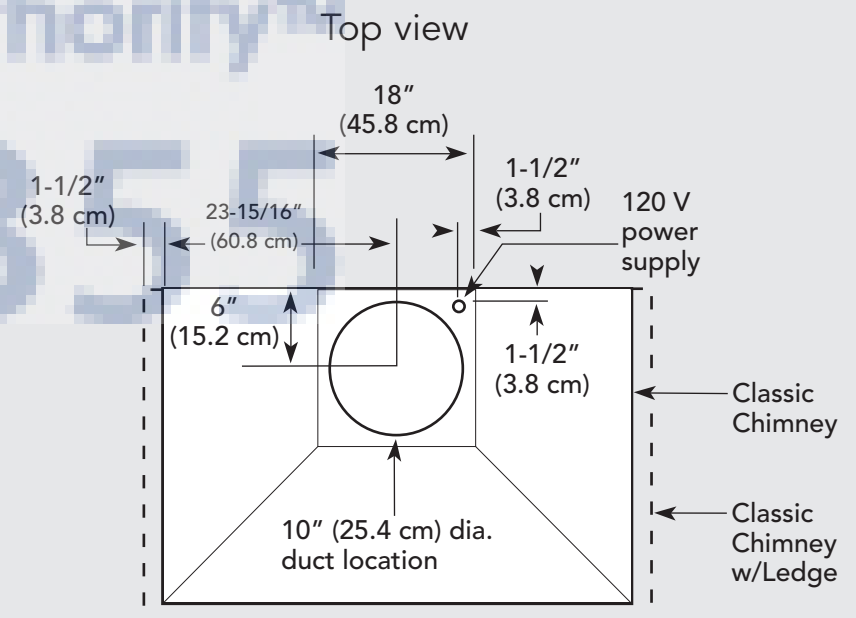
B	
30"W.	14-15/16" (37.9 cm)
33"W.	14-15/16" (37.9 cm)
36"W.	17-15/16" (45.6 cm)
39"W.	17-15/16" (45.6 cm)
42"W.	20-15/16" (53.2 cm)
45"W.	20-15/16" (53.2 cm)



900 or 1200 CFM Exterior or In-Line Ventilator Installation for 30", 33", 36", 39", 42", & 45" models



1200 CFM Interior Ventilator Installation for 48" & 51" models

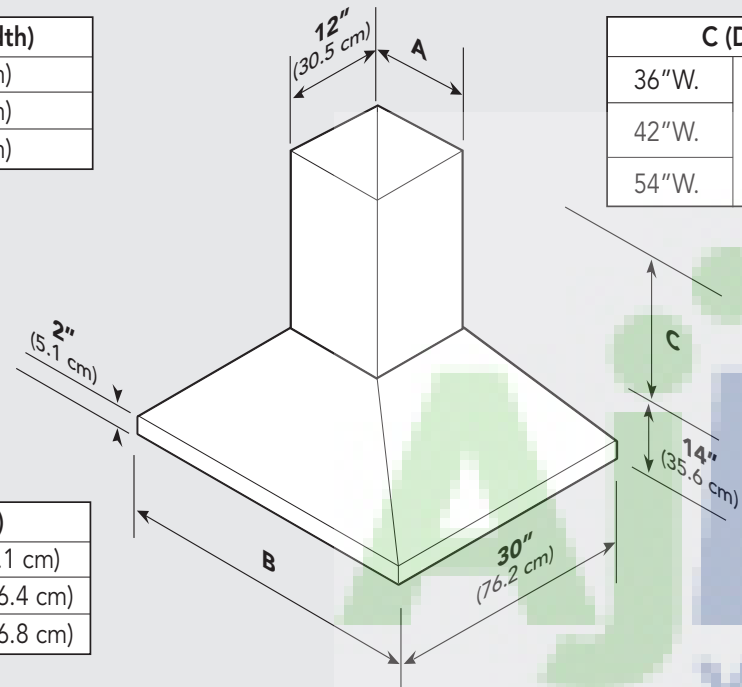


900, 1200 or 1500 CFM Exterior or In-Line Ventilator Installation for 48" & 51" models

Dimensions & Specifications

(DCIH Classic Chimney Island Hoods 36", 42", & 54")

A (Duct cover width)	
36"W.	12" (30.5 cm)
42"W.	12" (30.5 cm)
54"W.	18" (45.7 cm)



C (Duct height)	
36"W.	16" (40.6 cm) or 28" (71.1 cm) or 40" (101.6 cm)
42"W.	28" (71.1 cm) or 40" (101.6 cm)
54"W.	40" (101.6 cm)

B (Hood width)	
36"W.	35-7/8" (91.1 cm)
42"W.	41-7/8" (106.4 cm)
54"W.	53-7/8" (136.8 cm)

NOTE: Optional duct cover sold separately.

DCIH Classic Chimney Island Hoods			
Description	36"	42"	54"
Duct cover width	12" (30.5 cm)	12" (30.5 cm)	18" (45.7 cm)
Duct cover depth	12" (30.5 cm)		
Duct cover height	16" (40.6 cm) or 28" (71.1 cm) or 40" (101.6 cm)		
Number of lights	4	4	6
Number of filters	2	3	3
Interior ventilator kits	VINV600	VINV600	VINV1200*
Exterior ventilator kits	DEV900/1200*	DEV900/1200*/1500**	DEV1200*/1500**
In-line ventilator kits	DIL900/1200	DIL900/1200	DIL1200
Interior duct size	7" (17.8 cm)	7" (17.8 cm)	10" (25.4 cm)
Exterior duct size	10" (25.4 cm)		
Interior—Maximum amps	4.7	4.3	8.5
Exterior—Maximum amps	7.4/3.9	7.4/4.8/5.5	5.5/6.2
In-Line—Maximum amps	4.7/6.6	4.7/6.6	7.3

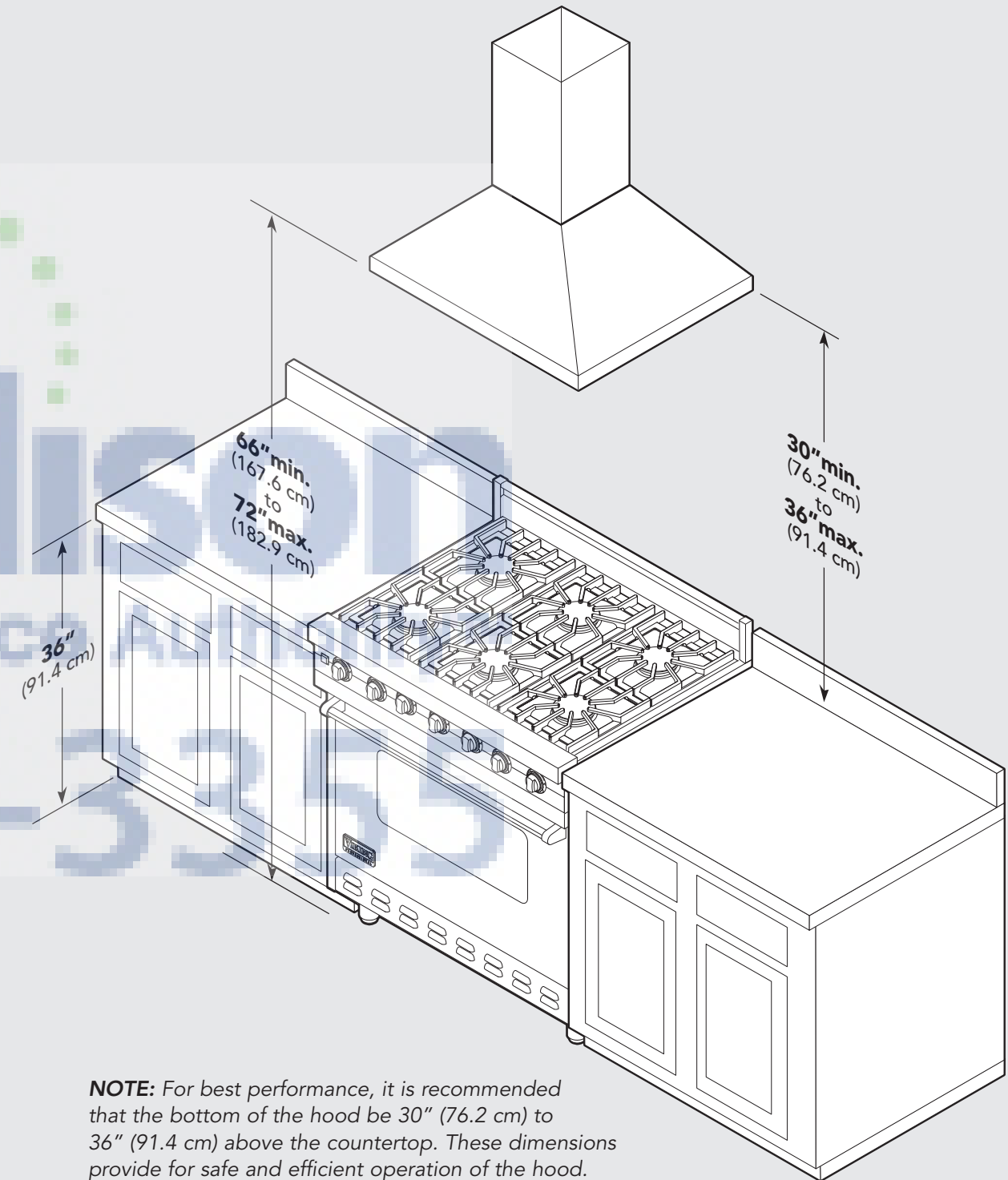
* A 1,200 CFM interior- or exterior-power ventilator should be used when installed over range/range-top with gas char-grill. Max duct run is 50 ft.

** It is recommended that the 1,500 CFM ventilator be used with longer duct runs. Max duct run is 75 ft.

NOTE: Maximum amp rating for hoods includes recommended ventilator kit rating; All products must be hard wired with 2-wire with ground. An interior- or exterior-power ventilator kit must be purchased for installation with all Designer hoods.

Clearance Dimensions

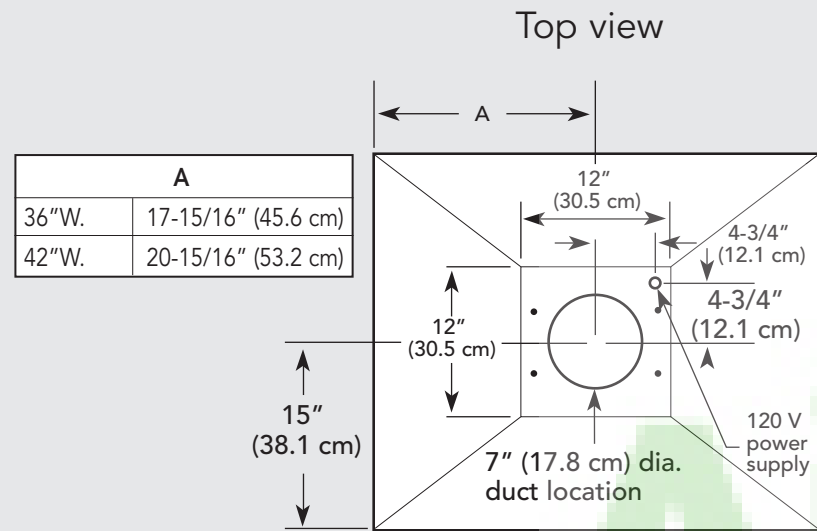
(DCIH Classic Chimney Island Hoods)



NOTE: For best performance, it is recommended that the bottom of the hood be 30" (76.2 cm) to 36" (91.4 cm) above the countertop. These dimensions provide for safe and efficient operation of the hood.

Interior Ventilator Dimensions

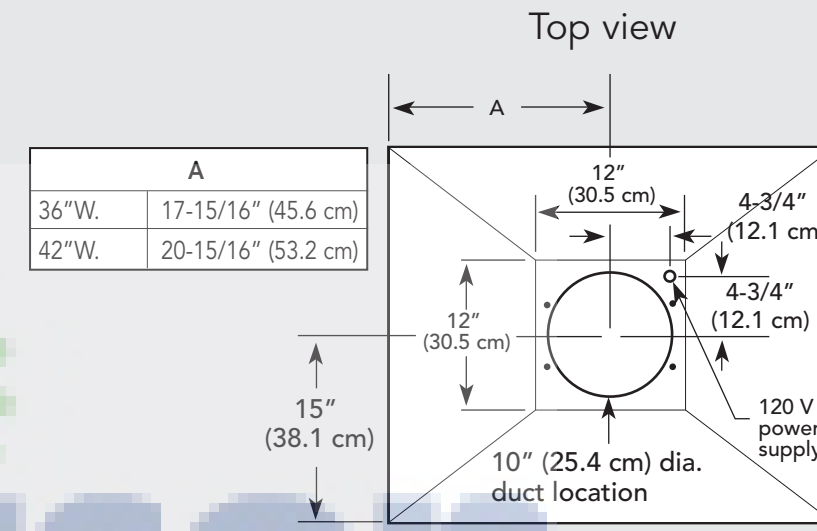
(DCIH Classic Chimney Island Hoods)



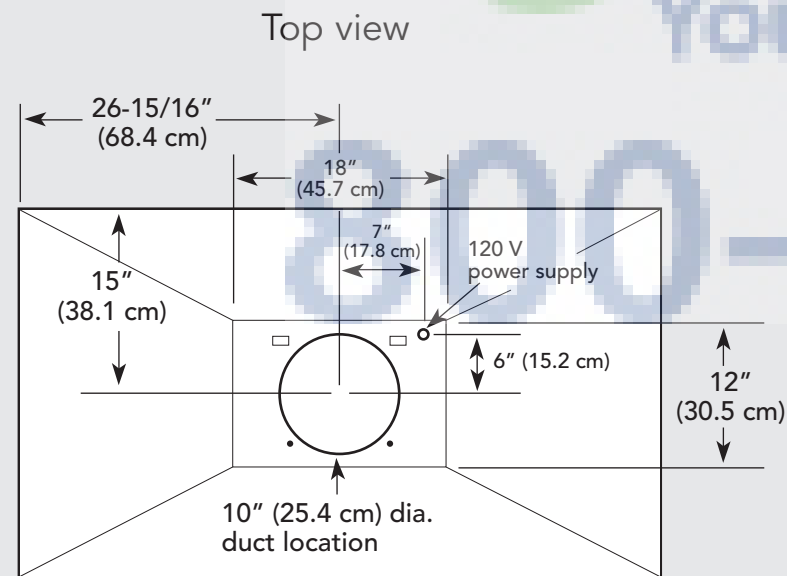
600 CFM Interior Ventilator Installation for 36" & 42" models

Exterior Ventilator Dimensions

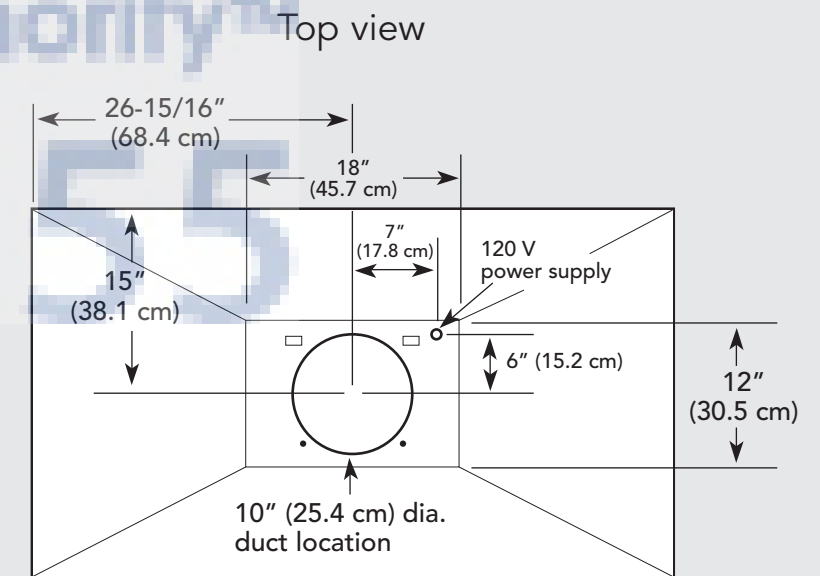
(DCIH Classic Chimney Island Hoods)



900 or 1200 CFM Exterior or In-Line Ventilator Installation for 36" & 42" models



1200 CFM Interior Ventilator Installation for 54" models



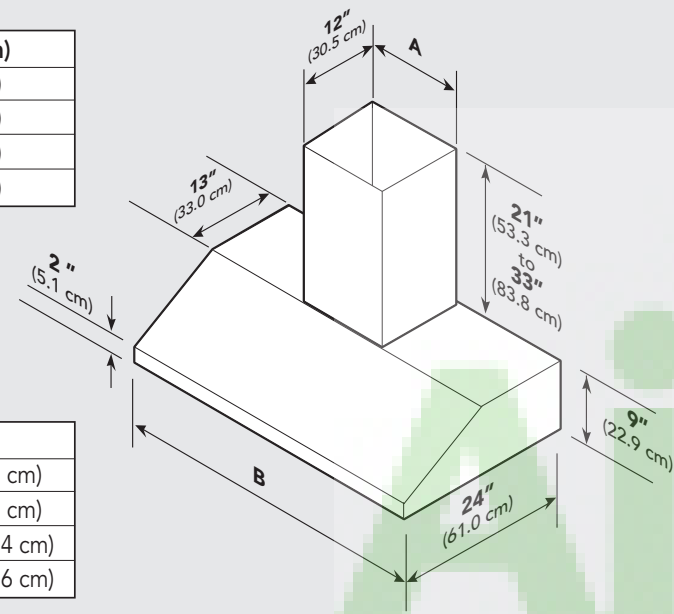
900, 1200 or 1500 CFM Exterior or In-Line Ventilator Installation for 54" models

Dimensions & Specifications

(DTWS Slim Traditional Wall Hoods 30", 36", 42", & 48")

A (Duct cover width)	
30"W.	12" (30.5 cm)
36"W.	12" (30.5 cm)
42"W.	12" (30.5 cm)
48"W.	20" (50.8 cm)

B (Hood width)	
30"W.	29-7/8" (75.9 cm)
36"W.	35-7/8" (91.1 cm)
42"W.	41-7/8" (106.4 cm)
48"W.	47-7/8" (121.6 cm)



DTWS Slim Traditional Wall Hoods				
Description	30"	36"	42"	48"
Duct cover width	12" (30.5 cm)	12" (30.5 cm)	12" (30.5 cm)	20" (50.8 cm)
Duct cover depth	12" (30.5 cm)			
Duct cover height	21" (53.3 cm) to 33" (83.8 cm)			
Number of lights	2	2	2	3
Number of filters	2	2	3	3
Interior ventilator kits	VINV300/600	VINV300/600	VINV600	VINV1200*
Exterior ventilator kits	DEV900/1200*	DEV900/1200*	DEV900/1200*	DEV1200*/1500**
In-line ventilator kits	DIL900/1200	DIL900/1200	DIL900/1200	DIL1200
Interior duct size	7" (17.8 cm)	7" (17.8 cm)	7" (17.8 cm)	10" (25.4 cm)
Exterior duct size	10" (25.4 cm)			
Interior—Maximum amps	2.8/3.8	2.8/3.8	3.8	7.3
Exterior—Maximum amps	6.6/3.9	6.6/3.9	6.6/3.9	4.3/5.1
In-Line—Maximum amps	3.9/5.7	3.9/5.7	3.9/5.7	6.1

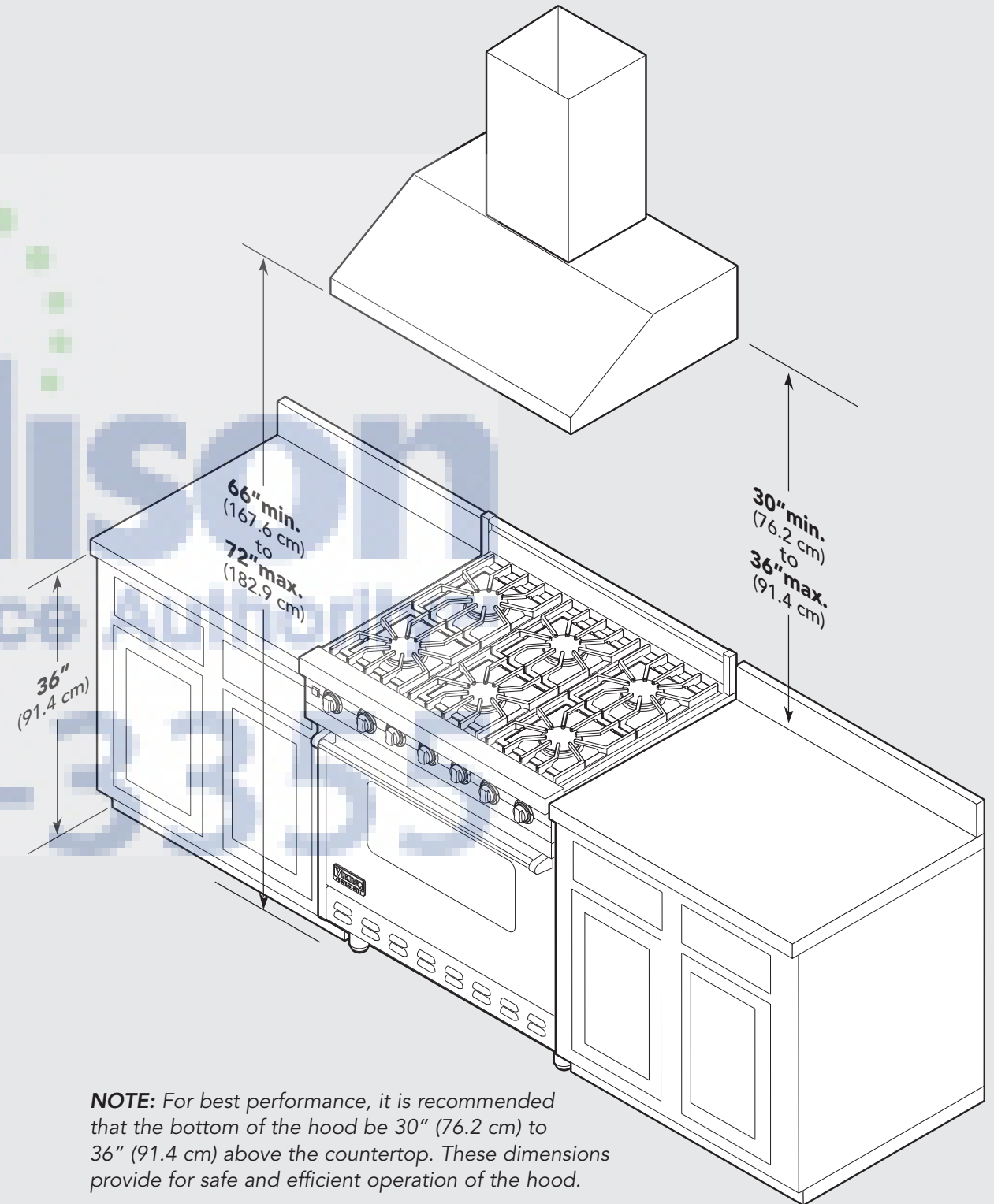
* A 1,200 CFM interior- or exterior-power ventilator should be used when installed over range/rangetop with gas char-grill. Max duct run is 50 ft.

** It is recommended that the 1,500 CFM ventilator be used with longer duct runs. Max duct run is 75 ft.

NOTE: Maximum amp rating for hoods includes recommended ventilator kit rating; All products must be hard wired with 2-wire with ground. An interior- or exterior-power ventilator kit must be purchased for installation with all Designer hoods.

Clearance Dimensions

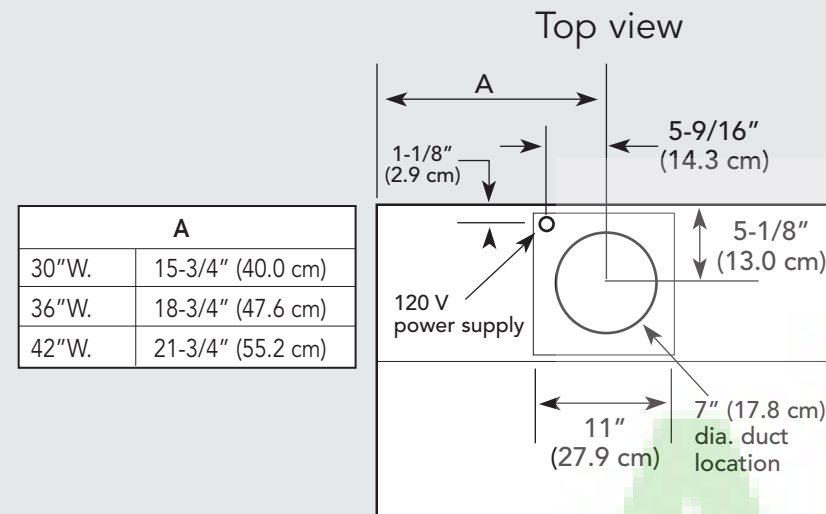
(DTWS Slim Traditional Wall Hoods)



NOTE: For best performance, it is recommended that the bottom of the hood be 30" (76.2 cm) to 36" (91.4 cm) above the countertop. These dimensions provide for safe and efficient operation of the hood.

Interior Ventilator Dimensions

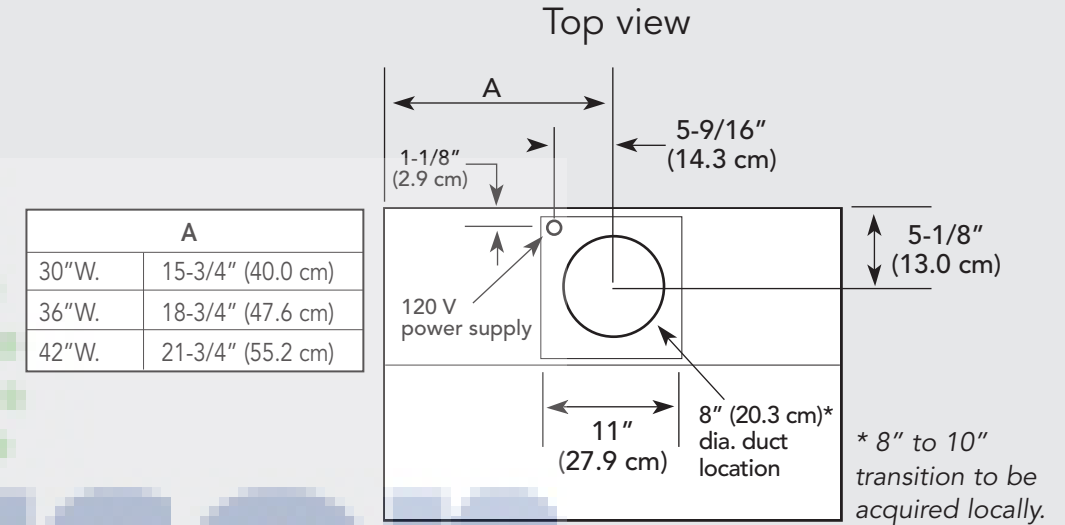
(DTWS Slim Traditional Wall Hoods)



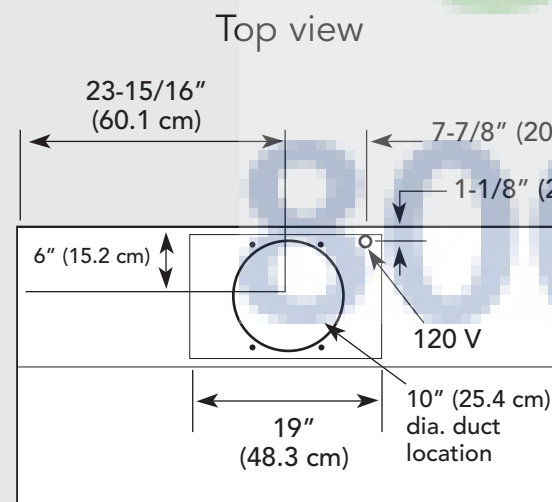
300 or 600 CFM Interior Ventilator Installation for 30", 36", & 42" models

Exterior Ventilator Dimensions

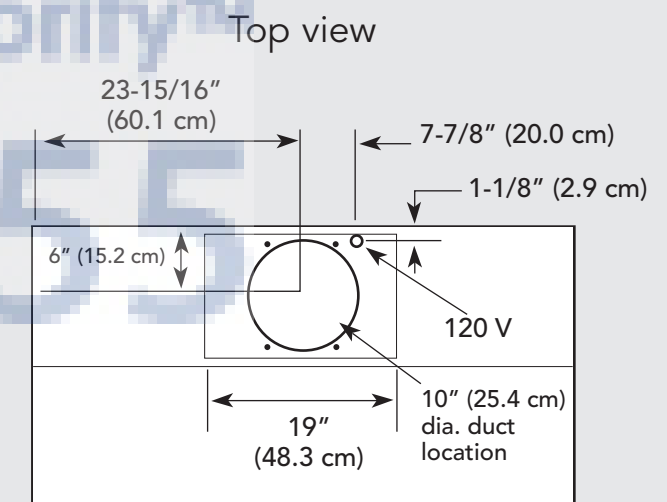
(DTWS Slim Traditional Wall Hoods)



900 or 1200 CFM Exterior or In-Line Ventilator Installation for 30", 36" & 42" models



1200 CFM Interior Ventilator Installation for 48" models



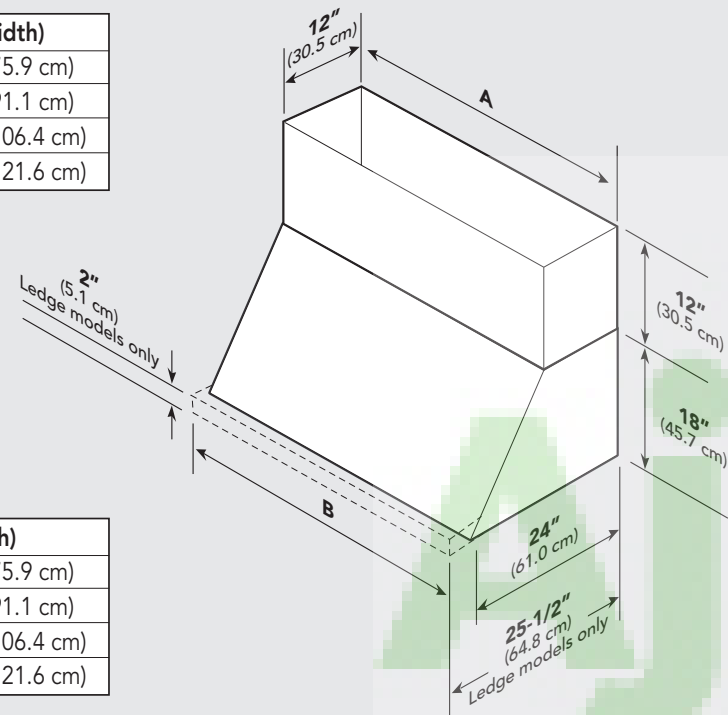
900, 1200 or 1500 CFM Exterior or In-Line Ventilator Installation for 48" models

Dimensions & Specifications

(DTWN Tall Traditional Wall Hoods—
Ledgeless 30", 36", 42", & 48")

A (Duct cover width)	
30"W.	29-7/8" (75.9 cm)
36"W.	35-7/8" (91.1 cm)
42"W.	41-7/8" (106.4 cm)
48"W.	47-7/8" (121.6 cm)

B (Hood width)	
30"W.	29-7/8" (75.9 cm)
36"W.	35-7/8" (91.1 cm)
42"W.	41-7/8" (106.4 cm)
48"W.	47-7/8" (121.6 cm)



NOTE: Optional duct cover sold separately.

DTWN Tall Traditional Wall Hoods—Ledgeless				
Description	30"	36"	42"	48"
Duct cover width	29-7/8" (75.9 cm)	35-7/8" (91.1 cm)	41-7/8" (106.4 cm)	47-7/8" (121.6 cm)
Duct cover depth	12" (30.5 cm)			
Duct cover height	12" (30.5 cm)			
Number of lights	2	2	2	3
Number of filters	2	2	3	3
Interior ventilator kits	VINV300/600/1200*	VINV300/600/1200*	VINV600/1200*	VINV1200*
Exterior ventilator kits	DEV900/1200*	DEV900/1200*	DEV900/1200*	DEV1200*/1500**
In-line ventilator kits	DIL900/1200	DIL900/1200	DIL900/1200	DIL1200
Interior duct size	7" (17.8 cm)	7" (17.8 cm)	7" (17.8 cm)	10" (25.4 cm)
Exterior duct size	10" (25.4 cm)			
Interior—Maximum amps	2.8/3.8/6.8	2.8/3.8/6.8	3.8/6.8	7.3
Exterior—Maximum amps	6.6/3.9	6.6/3.9	6.6/3.9	4.3/5.1
In-Line—Maximum amps	3.9/5.7	3.9/5.7	3.9/5.7	6.1

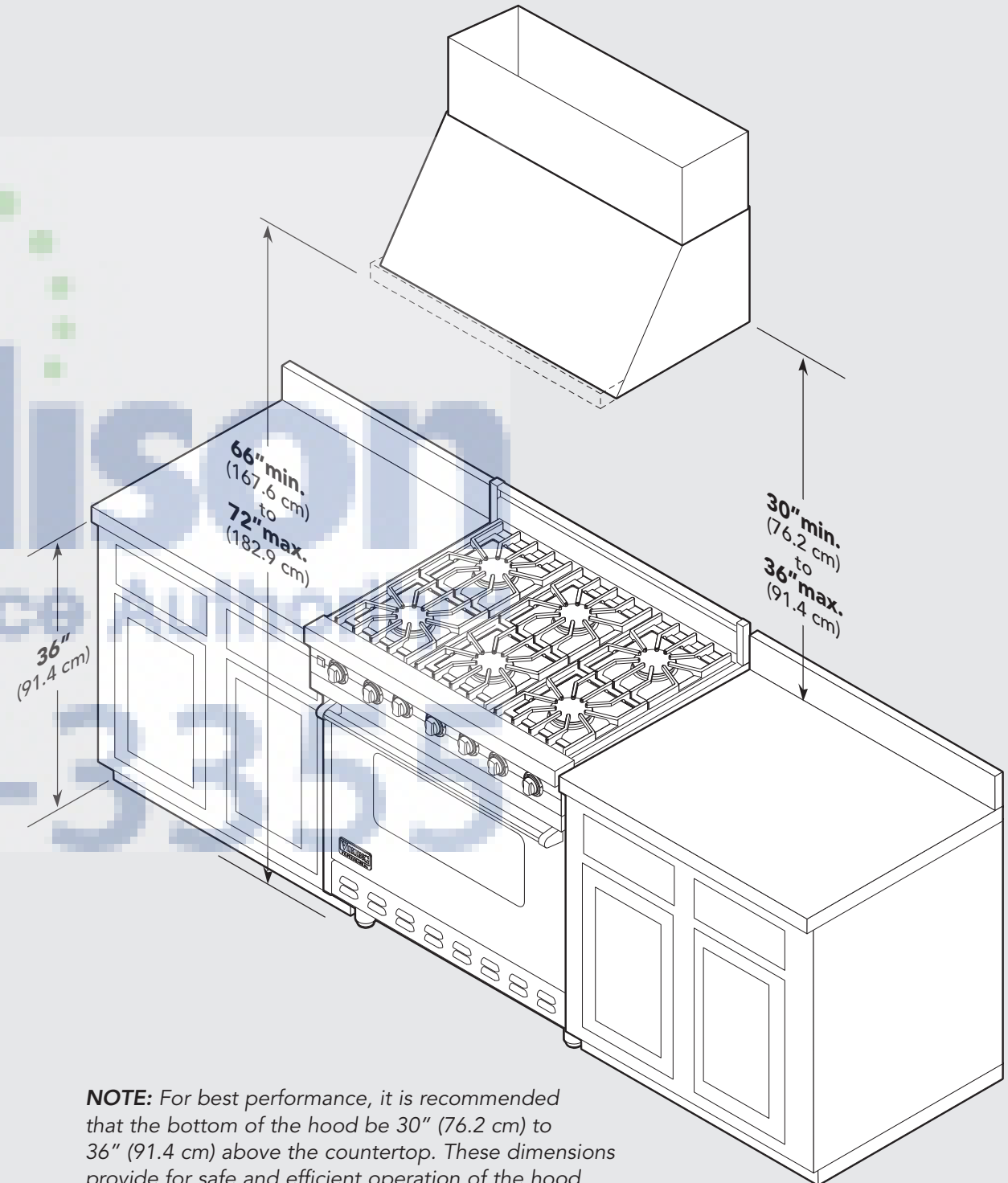
* A 1,200 CFM interior- or exterior-power ventilator should be used when installed over range/rangetop with gas char-grill. Max duct run is 50 ft.

** It is recommended that the 1,500 CFM ventilator be used with longer duct runs. Max duct run is 75 ft.

NOTE: Maximum amp rating for hoods includes recommended ventilator kit rating; All products must be hard wired with 2-wire with ground. An interior- or exterior-power ventilator kit must be purchased for installation with all Designer hoods.

Clearance Dimensions

(DTWN Tall Traditional Wall Hoods)



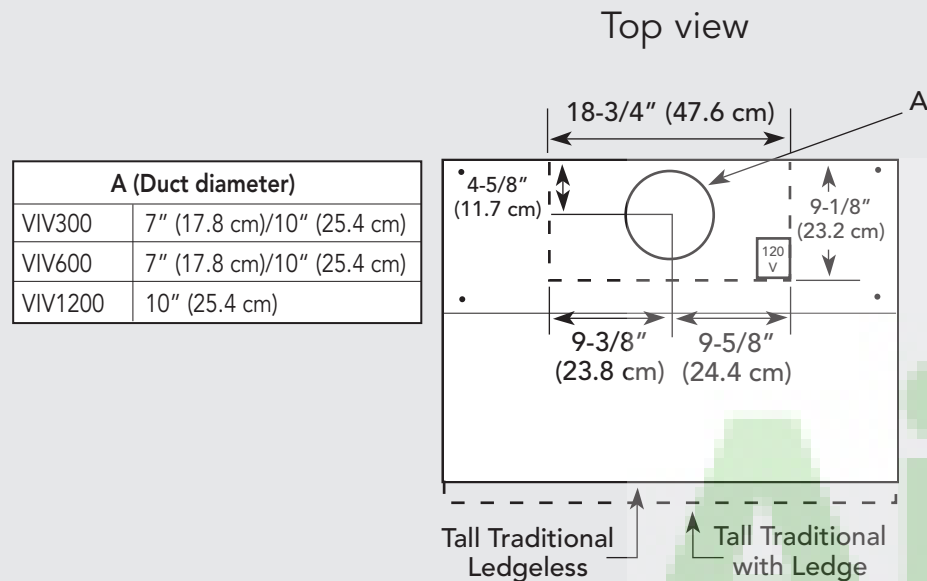
NOTE: For best performance, it is recommended that the bottom of the hood be 30" (76.2 cm) to 36" (91.4 cm) above the countertop. These dimensions provide for safe and efficient operation of the hood.

Interior Ventilator Dimensions

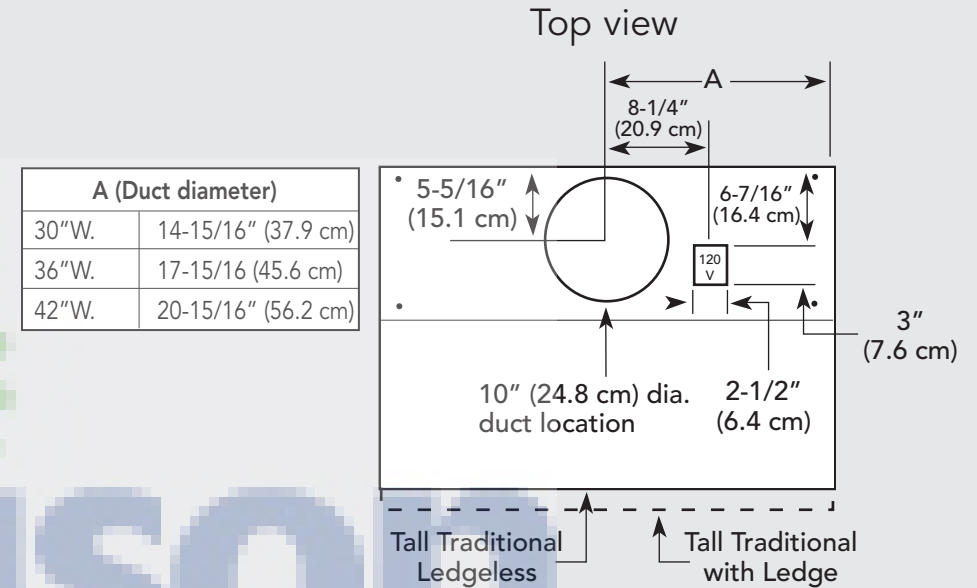
(DTWN Tall Traditional Wall Hoods)

Exterior Ventilator Dimensions

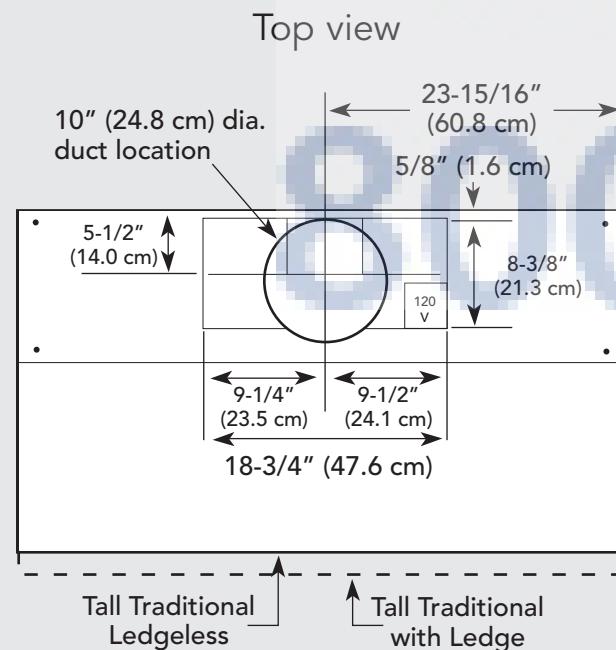
(DTWN Tall Traditional Wall Hoods)



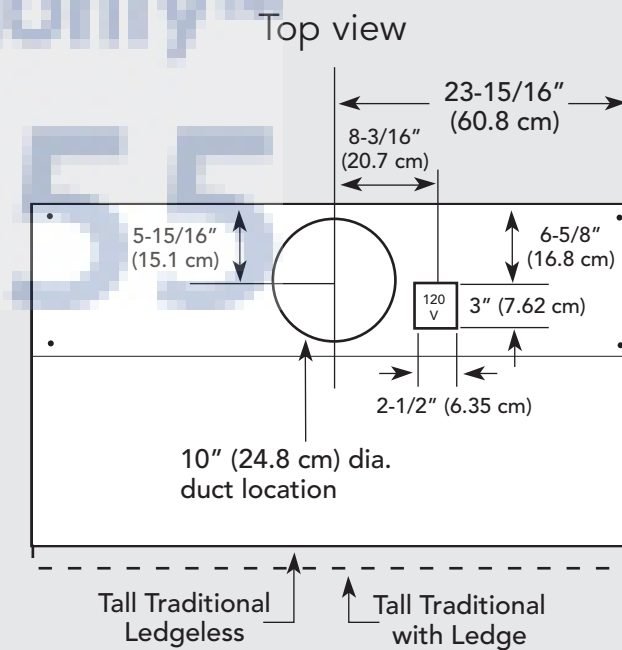
300, 600, or 1200 CFM Interior Ventilator Installation for 30", 36", & 42" models



900 or 1200 CFM Exterior or In-Line Ventilator Installation for 30", 36", & 42" models



1200 CFM Interior Ventilator Installation for 48" models

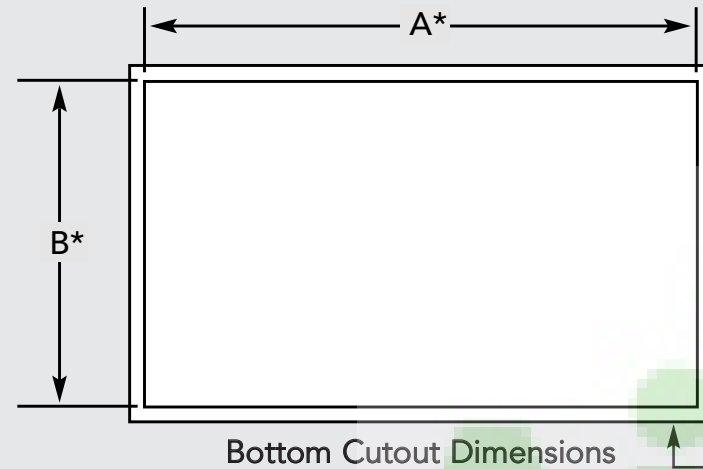


900, 1200 or 1500 CFM Exterior or In-Line Ventilator Installation for 48" models

Dimensions & Specifications

(DBCV Wall Custom Ventilator System)

*For best results, center the unit over the burners of the cooking product (front to back; right to left).



Make sure the back wall of the custom hood canopy is flush with the cutout so the ventilator system may be mounted as shown on page 29.

Wall Hoods		
Description	A (Hood Width)	B (Hood Depth)
30" W.	28-11/16" (72.9 cm)	16-1/2" (41.9 cm)
36" W.	34-11/16" (88.1 cm)	16-1/2" (41.9 cm)
42" W.	40-11/16" (103.4 cm)	16-1/2" (41.9 cm)
48" W.	46-11/16" (118.6 cm)	16-1/2" (41.9 cm)

DBCV Wall Custom Ventilator System				
Description	30"	36"	42"	48"
Number of lights	2	2	2	3
Number of filters	2	2	3	3
Interior ventilator kits	VINV300/600	VINV300/600	VINV600	VINV1200*
Exterior ventilator kits	DEV900/1200*	DEV900/1200*	DEV900/1200*	DEV1200*/1500**
In-line ventilator kits	DIL900/1200	DIL900/1200	DIL900/1200	DIL900/1200
Interior duct size	7" (17.8 cm)	7" (17.8 cm)	7" (17.8 cm)	10" (25.4 cm)
Exterior duct size	10" (25.4 cm)			
Interior—Maximum amps	2.8/3.8	2.8/3.8	3.8	6.8
Exterior—Maximum amps	6.6/3.9	6.6/3.9	6.6/3.9	4.3/5.1
In-Line—Maximum amps	3.9/5.7	3.9/5.7	3.9/5.7	6.1

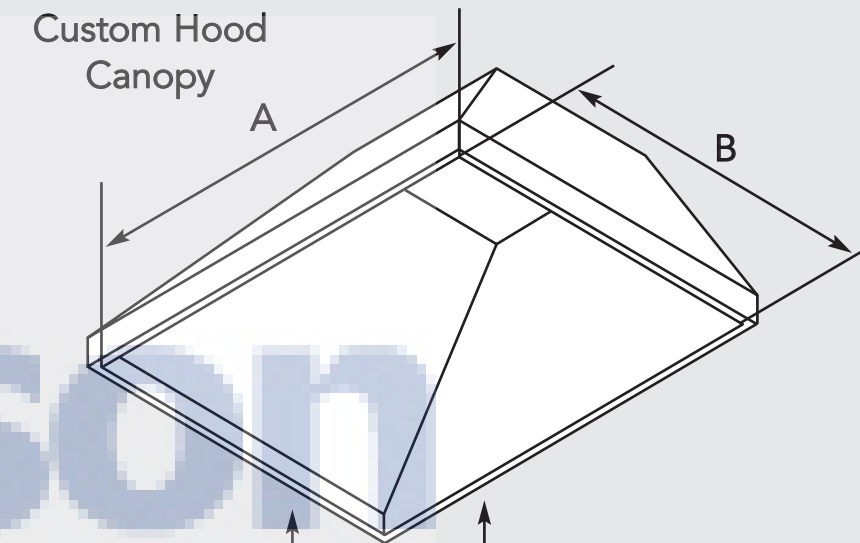
* A 1,200 CFM interior- or exterior-power ventilator should be used when installed over range/rangetop with gas char-grill. Max duct run is 50 ft.

** It is recommended that the 1,500 CFM ventilator be used with longer duct runs. Max duct run is 75 ft.

NOTE: Maximum amp rating for hoods includes recommended ventilator kit rating; All products must be hard wired with 2-wire with ground. An interior- or exterior-power ventilator kit must be purchased for installation with all Designer hoods.

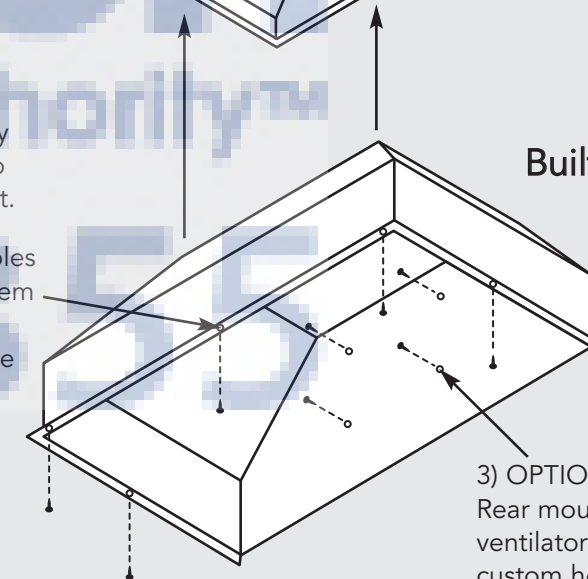
Installing Hood Canopy

(Custom Hood Canopy Cutouts)



1) Position ventilator system inside of the custom hood canopy and center it front to back and left to right.

2) Bottom mounting holes fasten ventilator system to bottom of custom hood canopy with the screws provided.

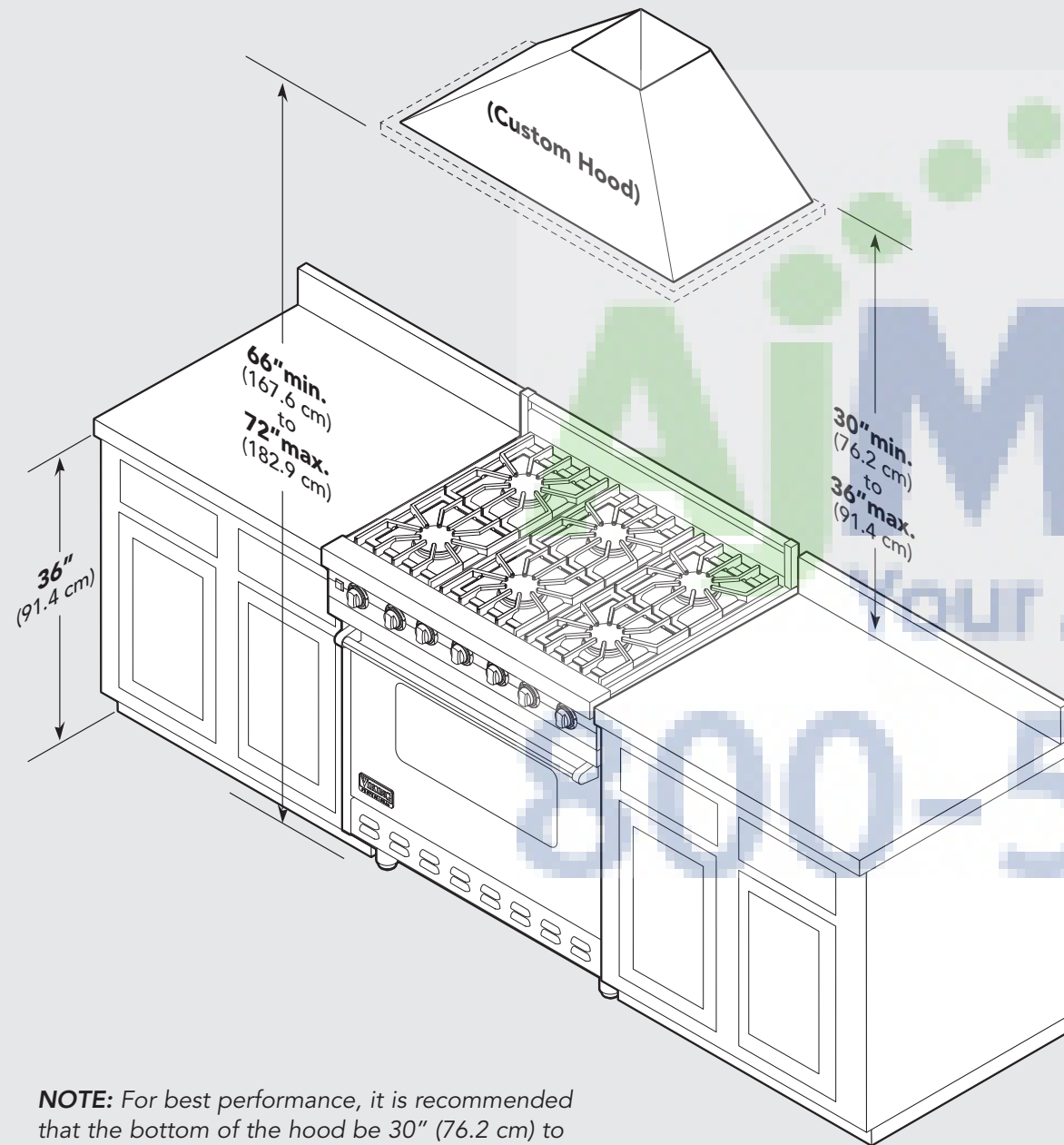


Built-In Ventilator System

3) OPTIONAL Rear mounting holes fasten ventilator system to rear of custom hood canopy.

Clearance Dimensions

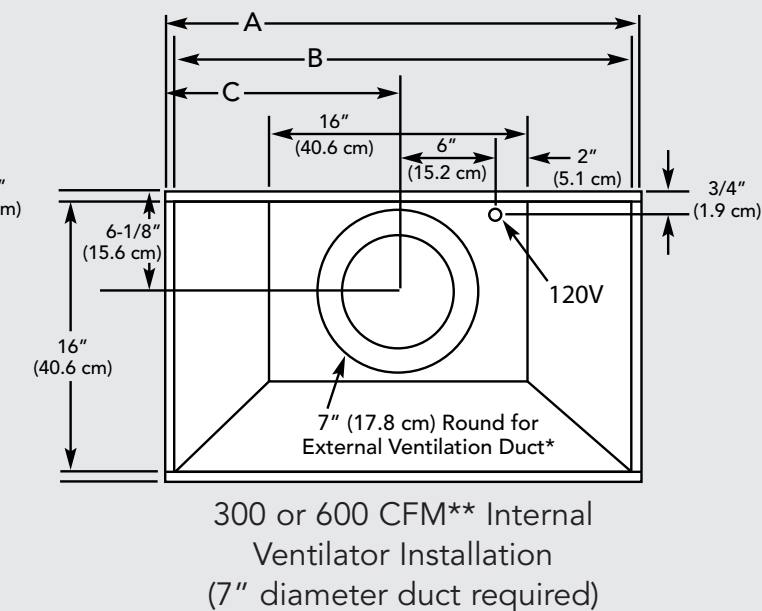
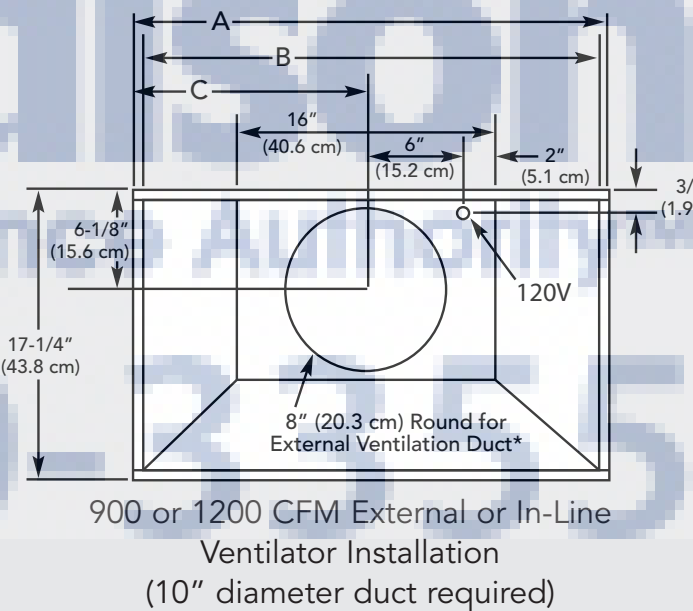
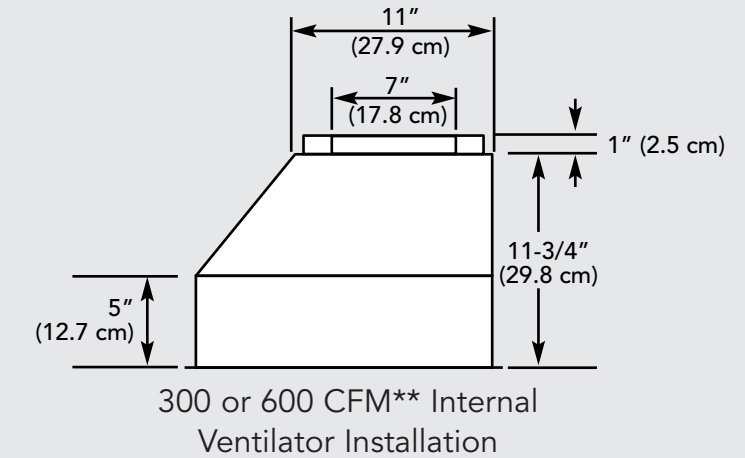
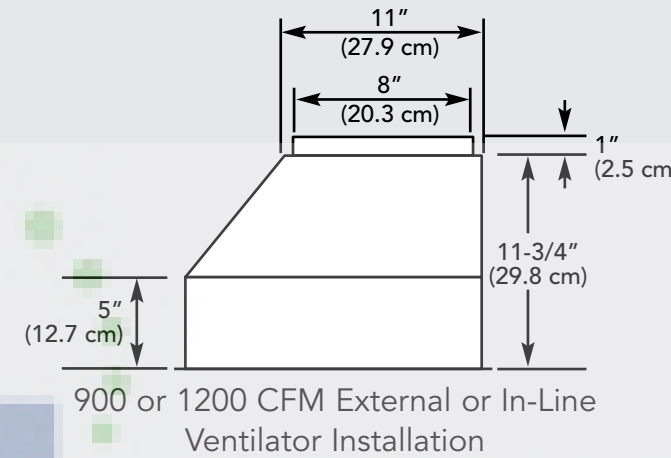
(DBCW Wall Custom Ventilator System)



NOTE: For best performance, it is recommended that the bottom of the hood be 30" (76.2 cm) to 36" (91.4 cm) above the countertop. These dimensions provide for safe and efficient operation of the hood.

Built-In Wall Custom Ventilator

System Dimensions (30"W./36"W./42"W. DBCV Models)



*Must purchase 8" diameter to 10" diameter transition locally. Transition should be installed past the duct cover.

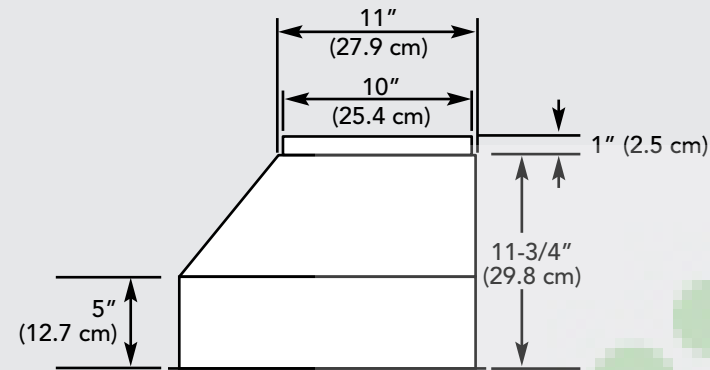
A	
30" W.	29-5/8" (75.2 cm)
36" W.	35-5/8" (90.5 cm)
42" W.	41-5/8" (105.7 cm)

B	
30" W.	28-3/8" (72.1 cm)
36" W.	34-3/8" (87.3 cm)
42" W.	40-3/8" (102.6 cm)

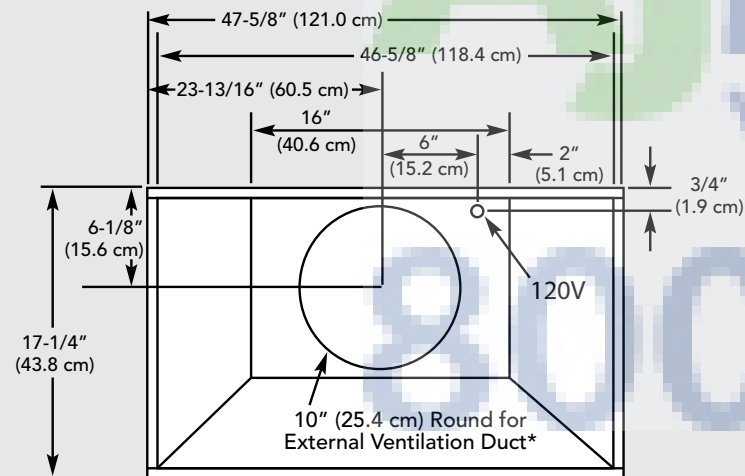
C	
30" W.	14-13/16" (37.6 cm)
36" W.	17-13/16" (45.2 cm)
42" W.	20-13/16" (52.9 cm)

**300 CFM ventilator kit for installation with 30" W. and 36" W. hoods only.

Built-In Wall Custom Ventilator System Dimensions (48"W. DBCV Models)



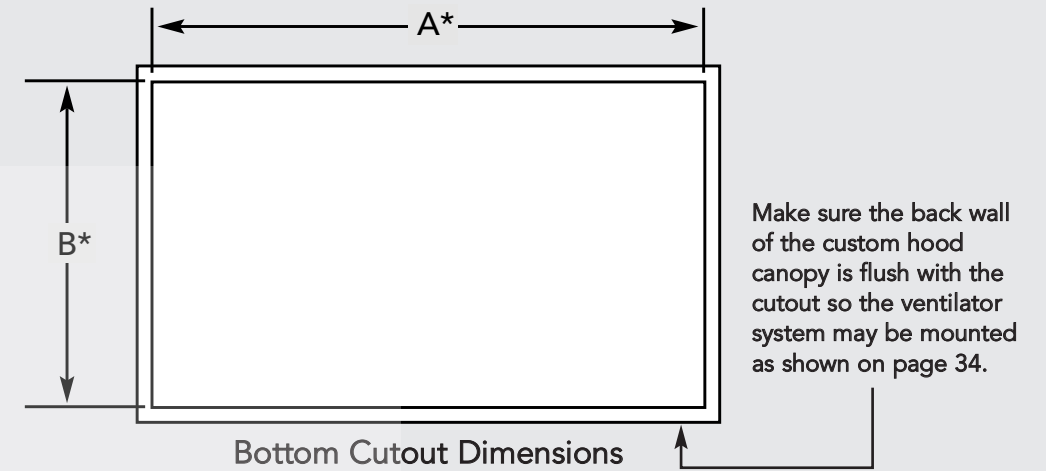
1200 CFM Internal and 900, 1200 or 1500 CFM External or In-Line Ventilator Installation



1200 CFM Internal and 900, 1200 or 1500 CFM External Ventilator Installation (10" diameter duct required)

Dimensions & Specifications

(DICV Island Custom Ventilator Systems 36", 42", & 54")



*For best results, center the unit over the burners of the cooking product (front to back; right to left).

Island Hoods		
Description	A (Hood Width)	B (Hood Depth)
36" W.	34-11/16" (88.1 cm)	21-1/2" (54.6 cm)
42" W.	40-11/16" (103.4 cm)	21-1/2" (54.6 cm)
54" W.	52-11/16" (133.8 cm)	21-1/2" (54.6 cm)

DICV Island Custom Ventilator System			
Description	36"	42"	54"
Number of lights	4	4	6
Number of filters	2	3	3
Interior ventilator kits	VINV600	VINV600	VINV1200*
Exterior ventilator kits	DEV900/1200*	DEV900/1200*/1500**	DEV1200*/1500**
In-line ventilator kits	DIL900/1200	DIL900/1200	DIL1200
Interior duct size	7" (17.8 cm)	7" (17.8 cm)	10" (25.4 cm)
Exterior duct size	10" (25.4 cm)		
Interior—Maximum amps	4.0	4.0	6.9
Exterior—Maximum amps	7.5/5.2	7.5/5.2/6.0	5.2/6.0
In-Line—Maximum amps	4.8/7.0	4.8/7.0	7.0

* A 1,200 CFM interior- or exterior-power ventilator should be used when installed over range/rangetop with gas char-grill. Max duct run is 50 ft.

** It is recommended that the 1,500 CFM ventilator be used with longer duct runs. Max duct run is 75 ft.

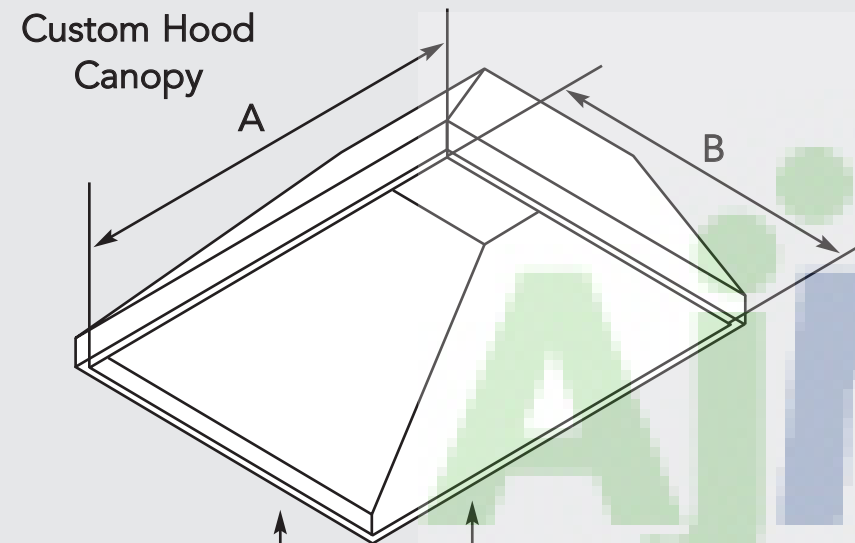
NOTE: Maximum amp rating for hoods includes recommended ventilator kit rating; All products must be hard wired with 2-wire with ground. An interior- or exterior-power ventilator kit must be purchased for installation with all Designer hoods.

Installing Hood Canopy

(Custom Hood Canopy Cutouts)

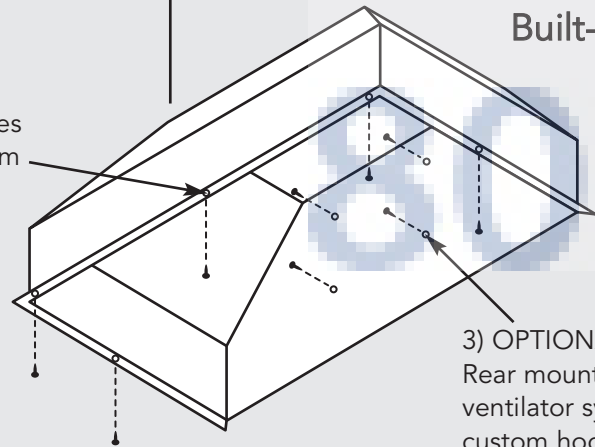
Clearance Dimensions

(DICV Island Custom Ventilator System)



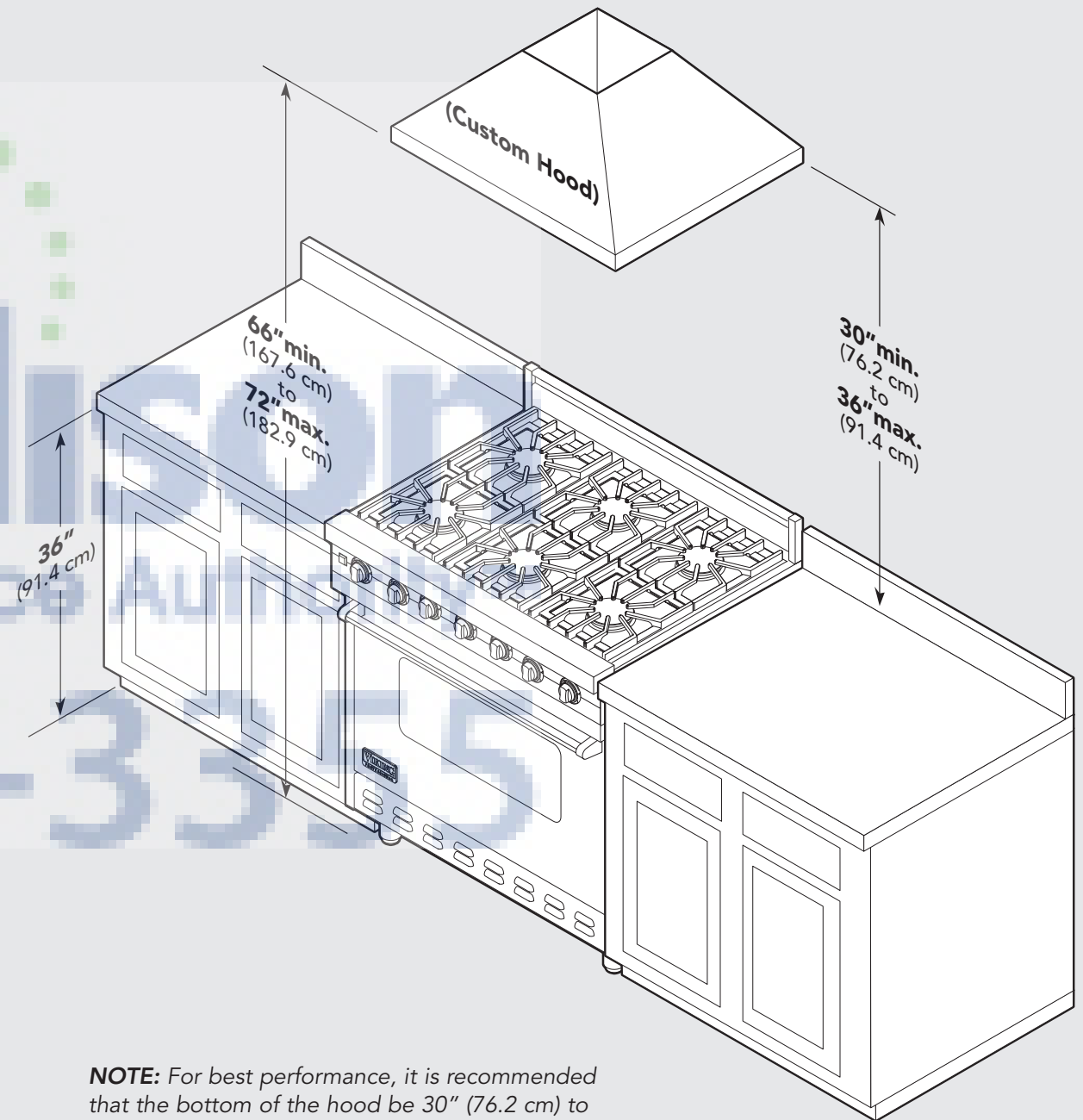
1) Position ventilator system inside of the custom hood canopy and center it front to back and left to right.

2) Bottom mounting holes fasten ventilator system to bottom of custom hood canopy with the screws provided.



Built-In Ventilator System

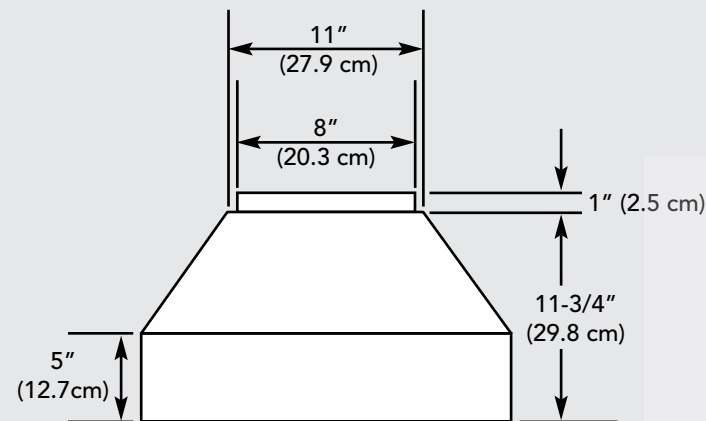
3) **OPTIONAL**
Rear mounting holes fasten ventilator system to rear of custom hood canopy.



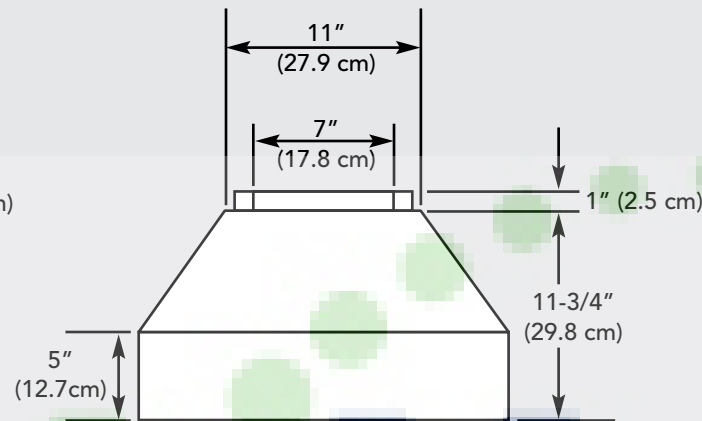
NOTE: For best performance, it is recommended that the bottom of the hood be 30" (76.2 cm) to 36" (91.4 cm) above the countertop. These dimensions provide for safe and efficient operation of the hood.

Built-In Island Custom Ventilator System Dimensions (36"W./42"W. DICV Models)

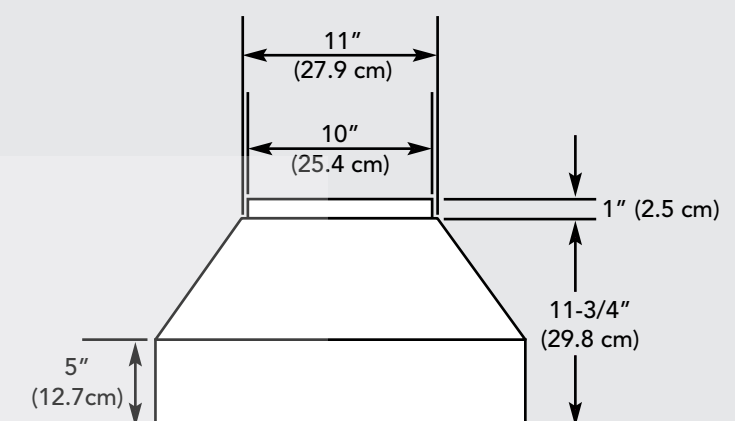
Built-In Island Custom Ventilator System Dimensions (54"W. DICV Models)



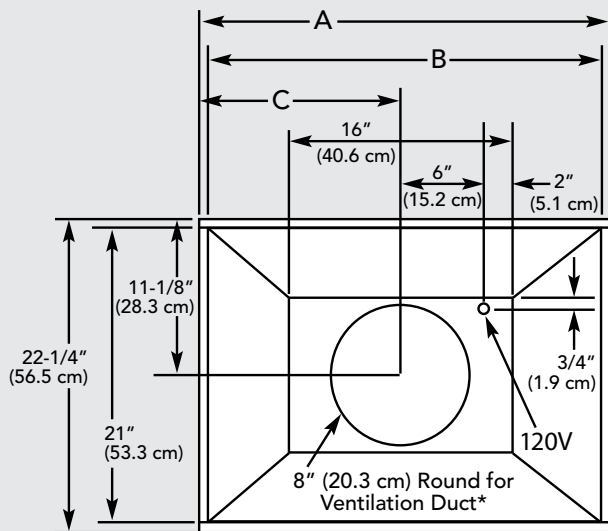
900, 1200 or 1500 CFM External** or In-Line Ventilator Installation



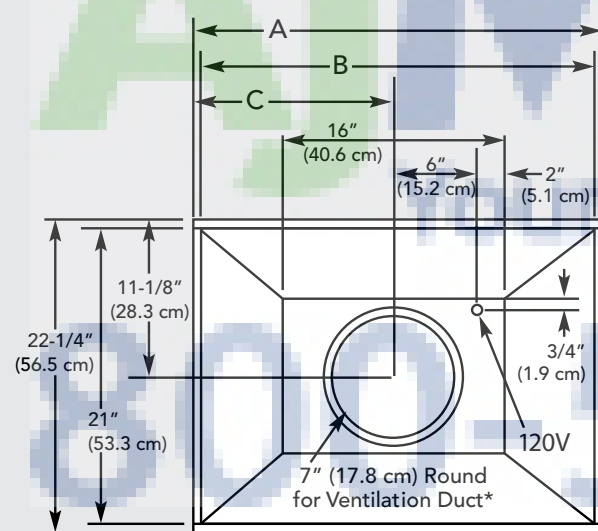
300 or 600 CFM** Internal Ventilator Installation



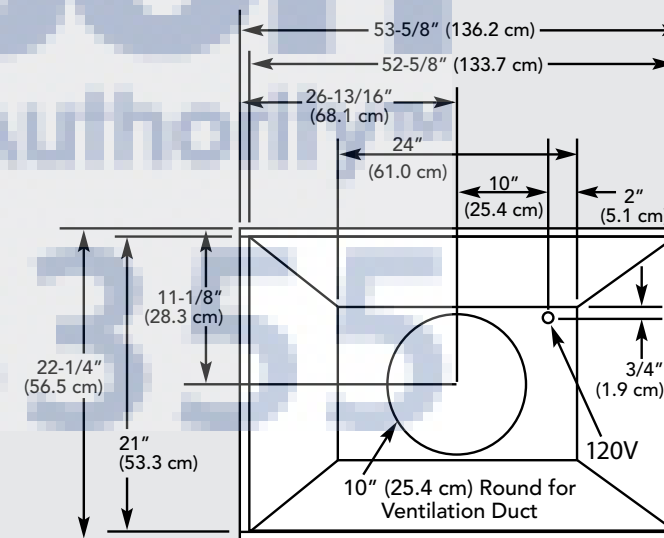
1200 CFM Internal and 900, 1200 or 1500 CFM External or In-Line Ventilator Installation



900, 1200 or 1500 CFM External** or In-Line Ventilator Installation (10" diameter duct required)



300*** or 600 CFM** Internal Ventilator Installation (7" diameter duct required)



1200 CFM Internal and 900, 1200 or 1500 CFM External or In-Line Ventilator Installation (10" diameter duct required)

*Must purchase 8" diameter to 10" diameter transition locally. Transition should be installed past the duct cover.

A		B		C	
36" W.	35-5/8" (90.5 cm)	36" W.	34-5/8" (87.9 cm)	36" W.	17-13/16" (45.2 cm)
42" W.	41-5/8" (105.7 cm)	42" W.	40-5/8" (103.2 cm)	42" W.	20-13/16" (52.9 cm)

**1500 CFM external ventilator kit for installation with 42" W. island hood only.

***300 CFM ventilator kit for installation with 30" W. and 36" W. hoods only.

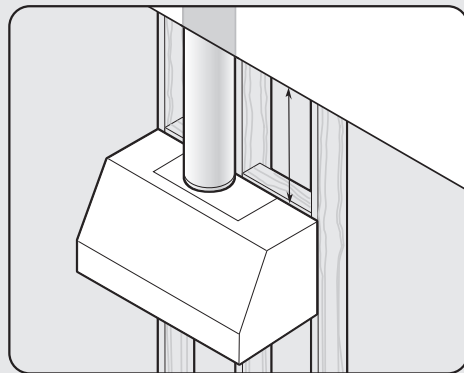
Planning Information

Plan where the duct work will be located. Install proper-sized duct work, roof, or wall cap for the type of blower you are using. Adjust your measurements for various heights of ceilings, soffits, cabinets, or ranges/rangetops.

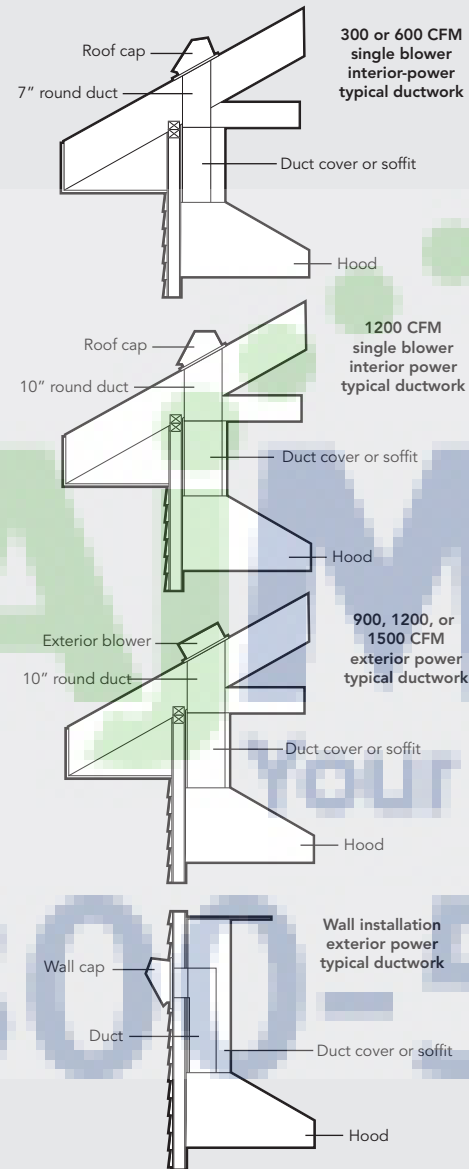
Proper installation of ducting is extremely important to ensure maximum performance from any ventilation product.

- All CFMs are based on tests at 0.1 static pressure: without applying static pressure, CFM would be greatly overstated.
- Straight runs and gradual turns are best; for example, each 90° elbow is equivalent to 5-10 feet (1.52-3.05 cm) of straight run.
- Never use flexible duct; it creates back pressure/air turbulence and greatly reduces performance.
- Proper performance is dependent on proper ducting; make sure that a qualified and trained installer is used.
- Check with a qualified and trained installer or local codes for makeup air requirement, if any.
- Max. amp rating for hoods includes recommended ventilator kit rating; all products must be hard wired direct with 2-wire with ground.

Check Framing



NOTE: Because of the weight of the hood make sure that the mounting screws are driven into the framing and not just the drywall. It may be necessary to drill additional holes in the canopy for proper alignment. Some hoods require a locally supplied wood strip for mounting. Check installation procedure of your hood on page 34 to determine if a wood strip is required.

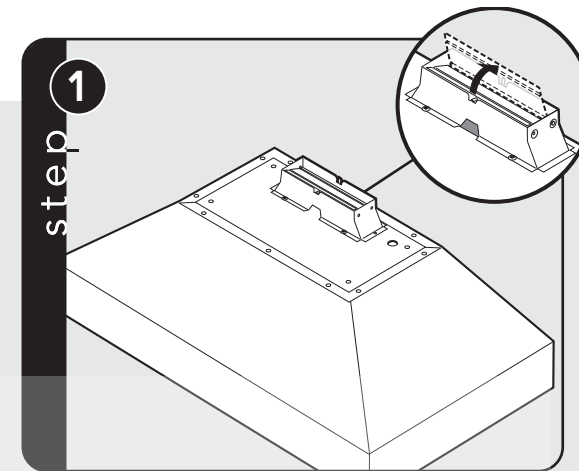


NOTE: Wall exhaust must be a minimum of 24" (61.0 cm) from ground. This may vary depending on local codes and geographic location.

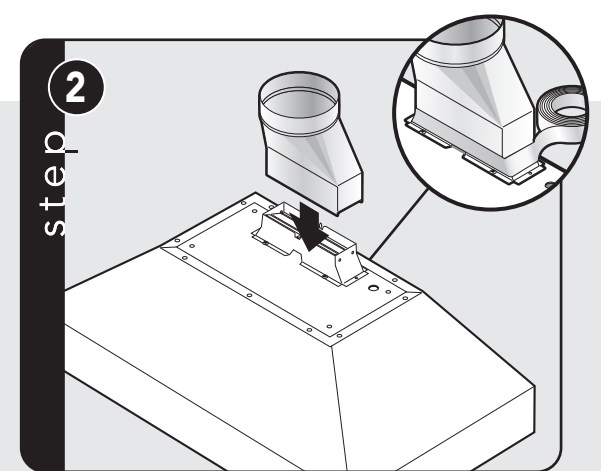
Electrical Supply

Run 120 VAC electrical wiring from service panel to installation location. See specification pages for the maximum amp requirements.

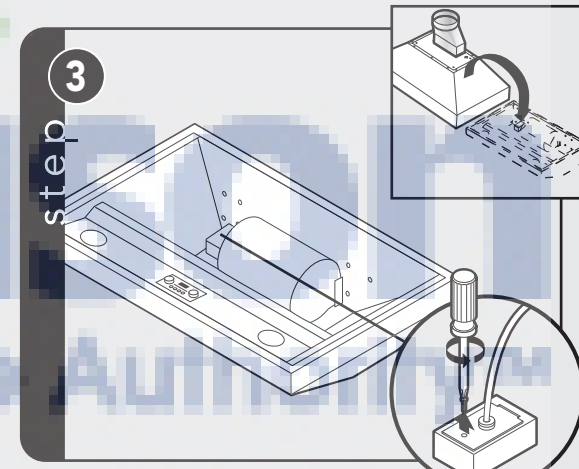
Installation (DCH 12"H. Classic Chimney Wall Hoods w/Standard Ventilator and DPPV Custom Power Packs w/Standard Ventilator)



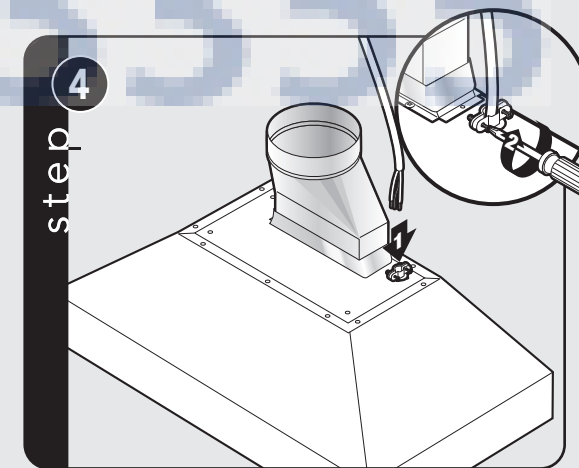
Check damper for unrestricted movement, adjust if necessary.



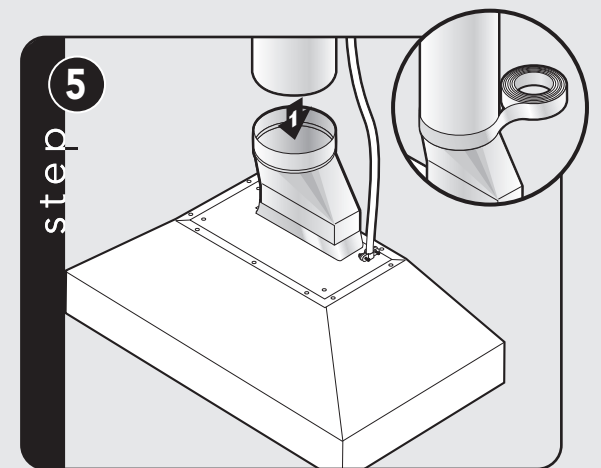
Attach transition to damper. Seal with aluminum tape.



Flip hood over and remove electrical box cover.



Insert 6" of electrical wiring through the top of vent hood and secure using wiring restraint. Refer to local codes.

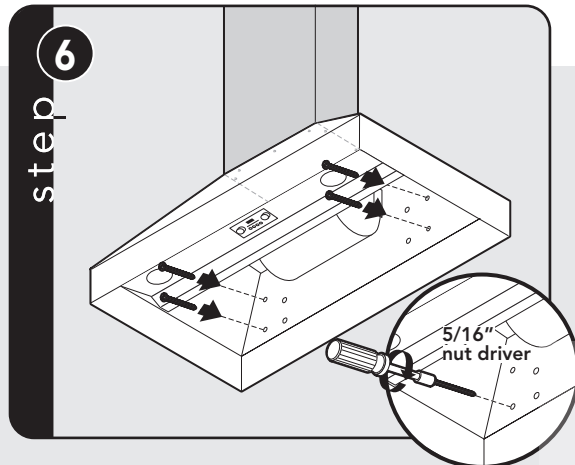


Slide duct over transition and tape around joint.

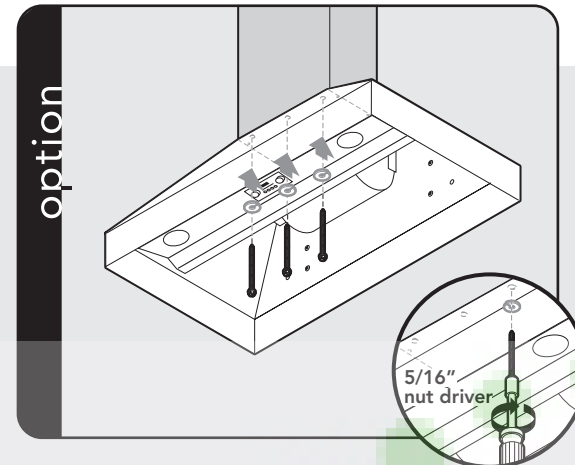
⚠ WARNING

TO REDUCE THE RISK OF FIRE, ELECTRIC SHOCK, OR INJURY TO PERSONS, OBSERVE THE FOLLOWING

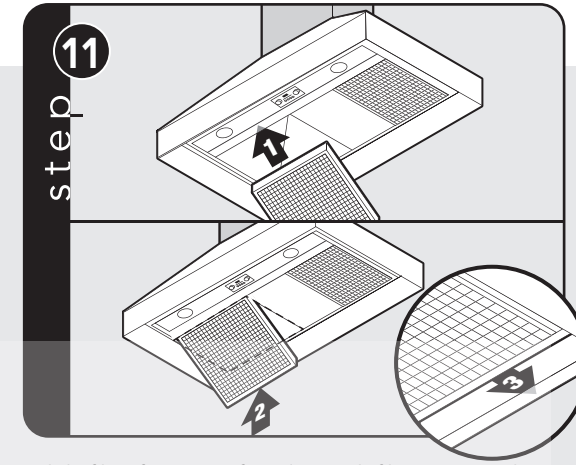
- Use this unit only in the manner intended by the manufacturer. If you have any questions, contact the manufacturer.
- Before servicing or cleaning unit, switch power off at service panel and lock service panel to prevent power from being switched on accidentally. When the service disconnecting means cannot be locked, securely fasten a prominent warning device, such as a tag, to the service panel.



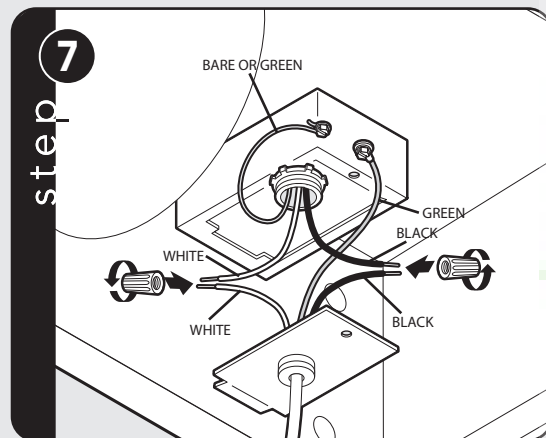
CAUTION: Secure vent hood to wall using screws provided. Use additional mounting screws and wall anchors, if necessary.



CAUTION: If not using a duct cover, using screws provided make sure top mounting screws are secured into soffit or cabinet frame. Use additional mounting screws, if necessary.

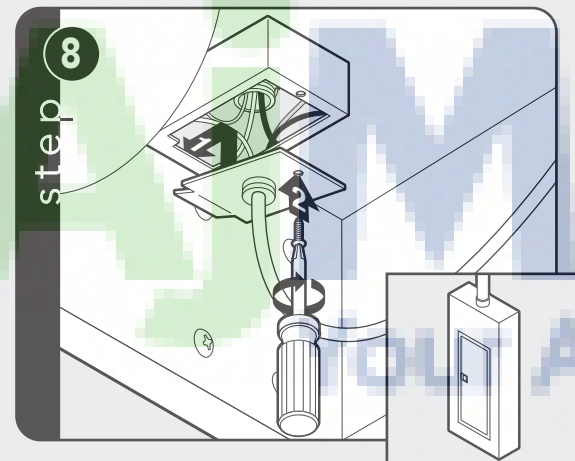


Slide filter front over front lip. Push filter rear up, then slide back over rear lip.

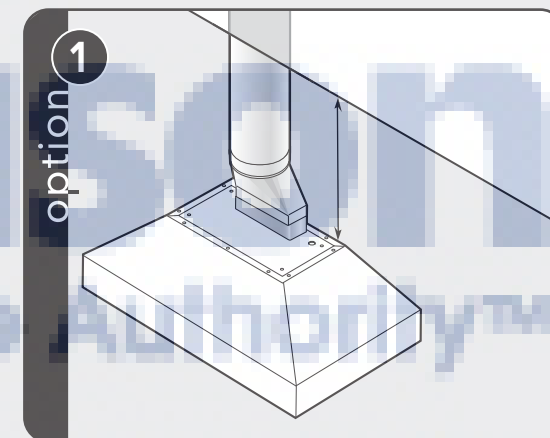


Connect black to black, white to white, and the green/bare wire under the green screw.

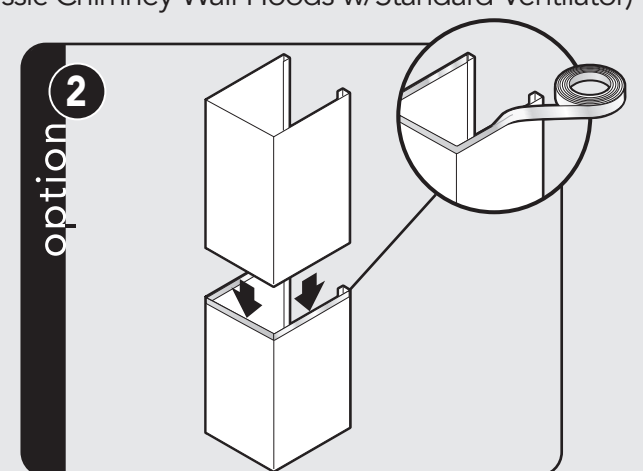
NOTE: Housing wiring must be properly installed for wiring to be correct when wiring unit.



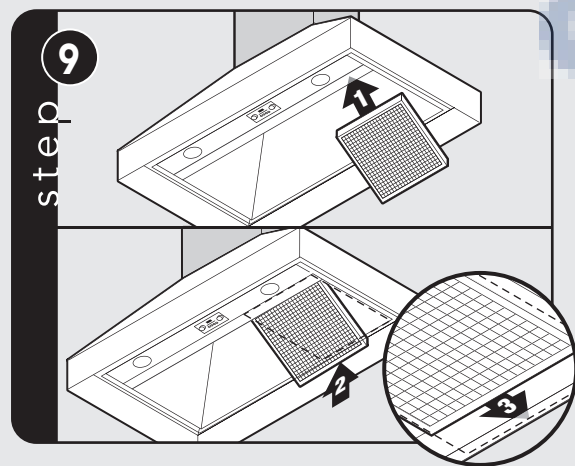
Replace electrical box cover. Make connection to breaker box.



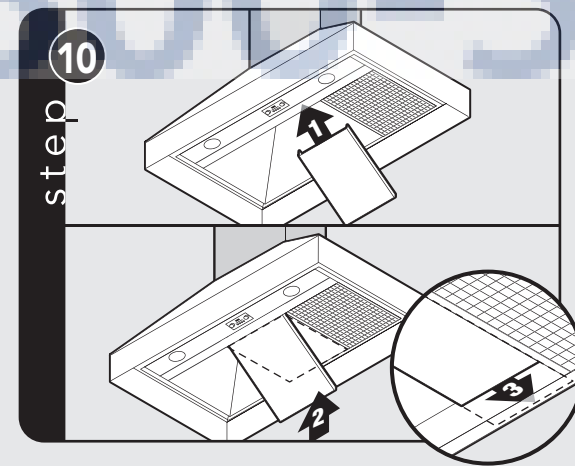
Measure distance from ceiling to canopy.



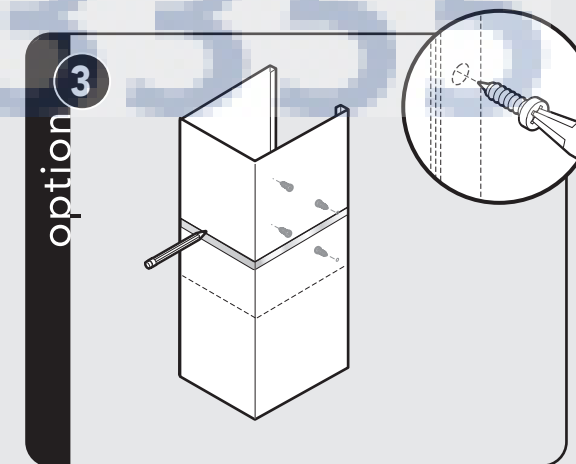
Tape to avoid scratching.



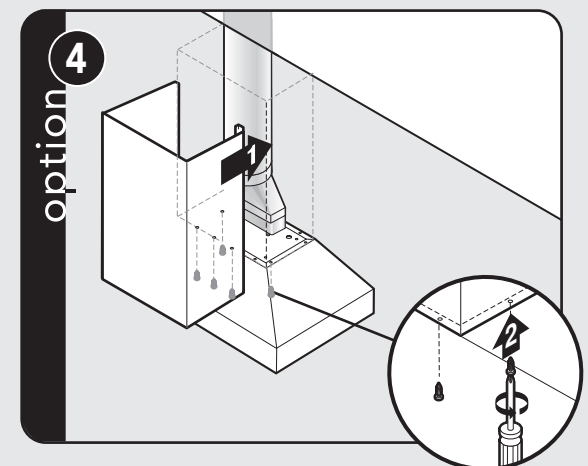
Slide filter front over front lip. Push filter rear up, then slide back over rear lip.



Slide spacer front over front lip. Push spacer rear up, then slide back over rear lip.

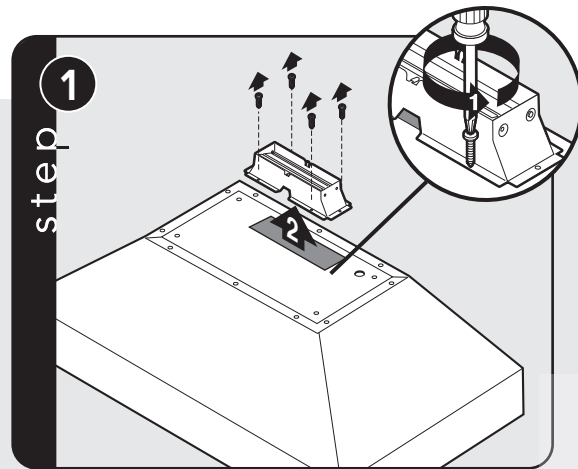


Place duct cover top inside duct cover base and lower until desired height is found. Mark height. Use the retaining nuts and bolts to fasten in place from the inside and remove tape.

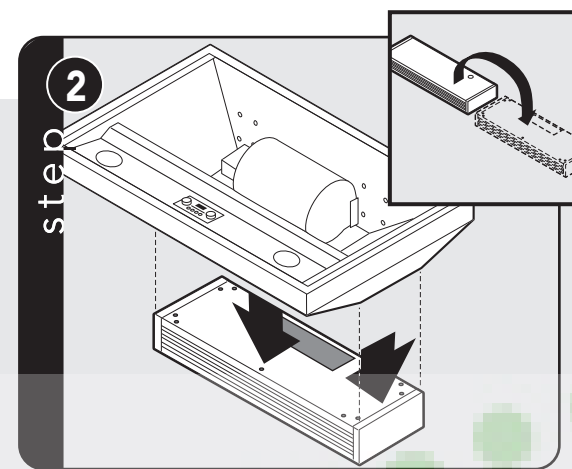


Slide duct cover in place and fasten from inside canopy using the sheet metal screws provided.

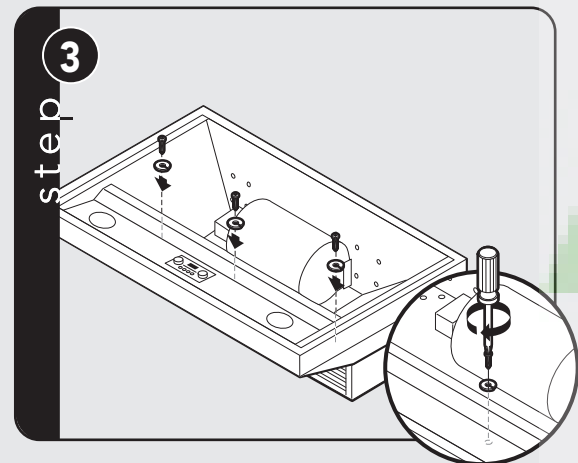
Installation (DCH 12"H. Classic Chimney Wall Hoods w/Recirculating Kit)



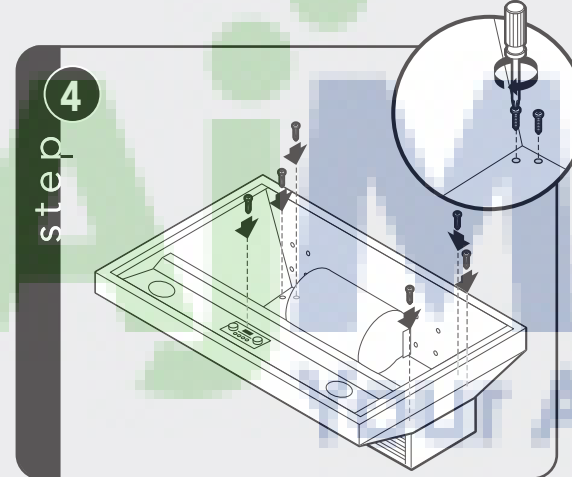
Remove damper and discard with transition.



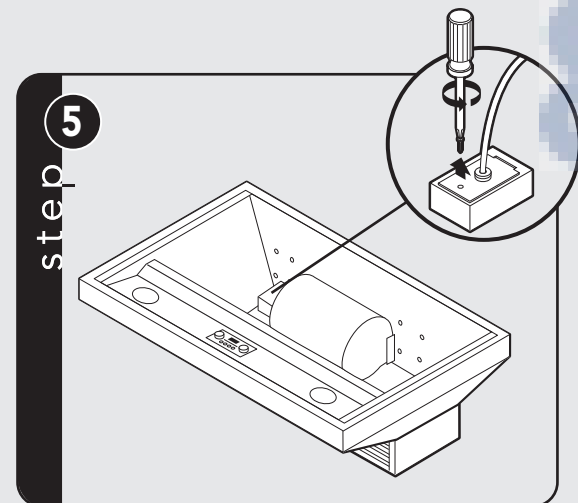
Turn recirculating unit upside down. Place vent hood upside down on recirculating unit.



Attach with screws and lock washers provided.



Attach with screws.

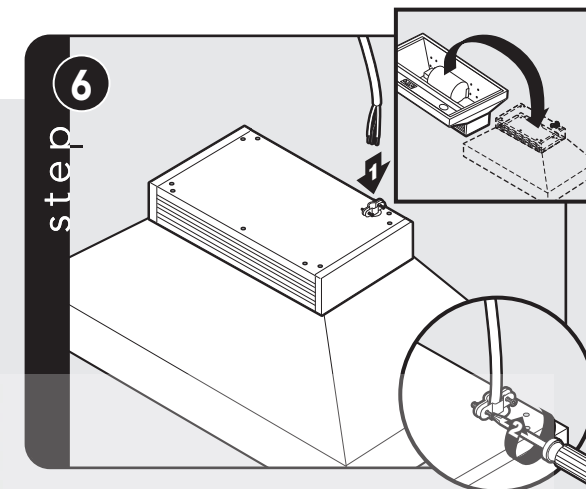


Remove electrical box cover.

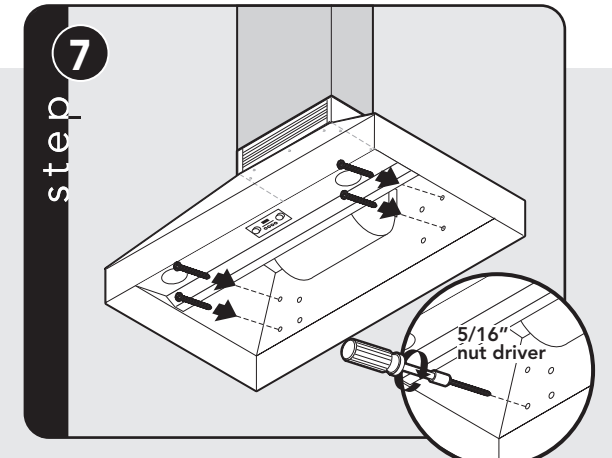
⚠ WARNING

TO REDUCE THE RISK OF FIRE, ELECTRIC SHOCK, OR INJURY TO PERSONS, OBSERVE THE FOLLOWING

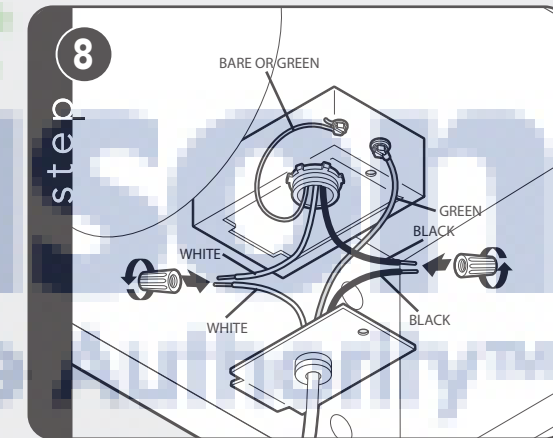
- Use this unit only in the manner intended by the manufacturer. If you have any questions, contact the manufacturer.
- Before servicing or cleaning unit, switch power off at service panel and lock service panel to prevent power from being switched on accidentally. When the service disconnecting means cannot be locked, securely fasten a prominent warning device, such as a tag, to the service panel.



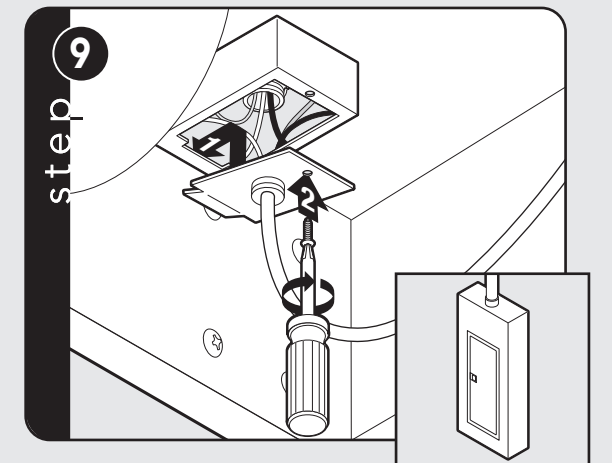
Flip hood over. Insert 6" of electrical wiring through the top of vent hood and secure using wiring restraint. Refer to local codes.



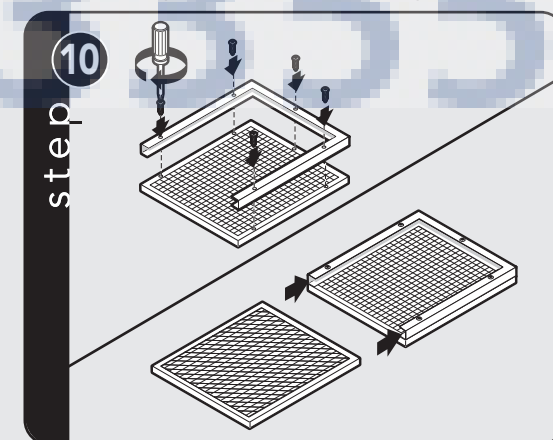
CAUTION: Secure vent hood. Make sure mounting screws are secured into framing using additional mounting screws and wall anchors, if necessary.



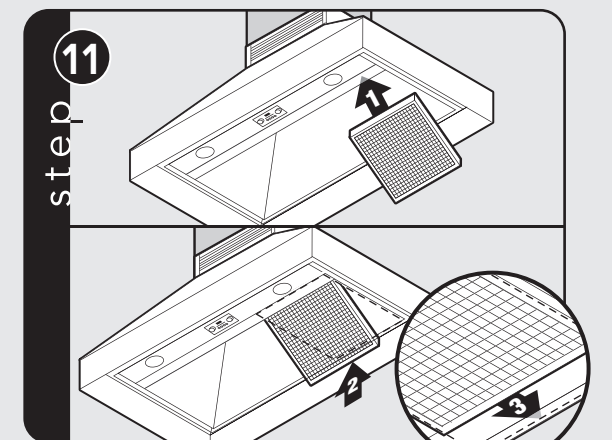
Connect black to black, white to white, and the green/bare wire under the green screw.
NOTE: Housing wiring must be properly installed for wiring to be correct when wiring unit.



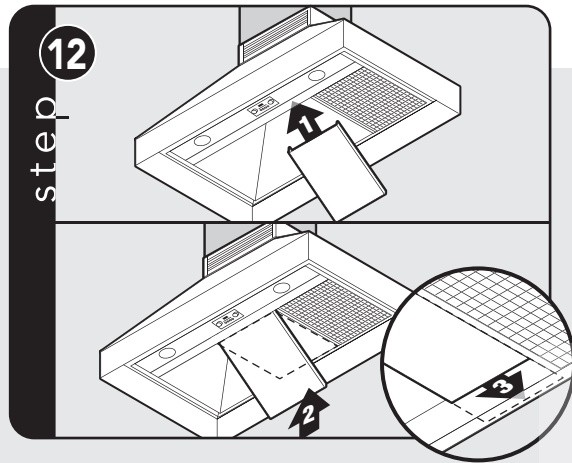
Replace electrical box cover. Make connection to breaker box.



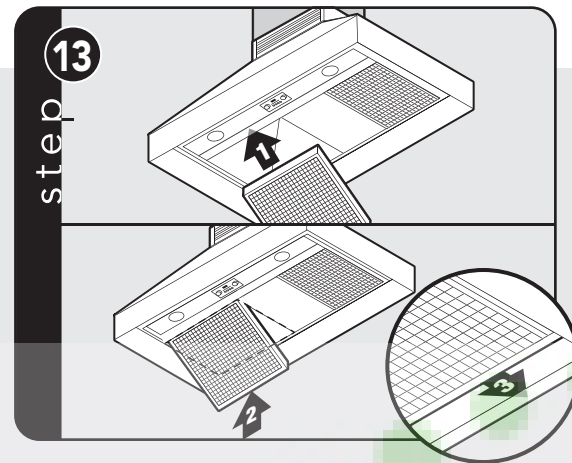
Assemble brackets to mesh filters and insert charcoal filters.



Slide filter front over front lip. Push filter rear up, then slide back over rear lip.

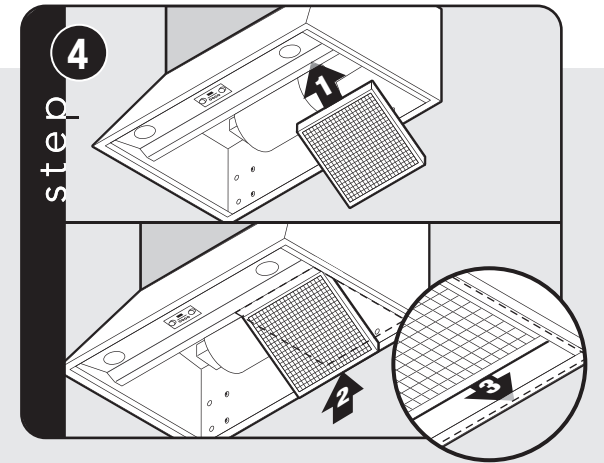


Slide spacer front over front lip. Push spacer rear up, then slide back over rear lip.



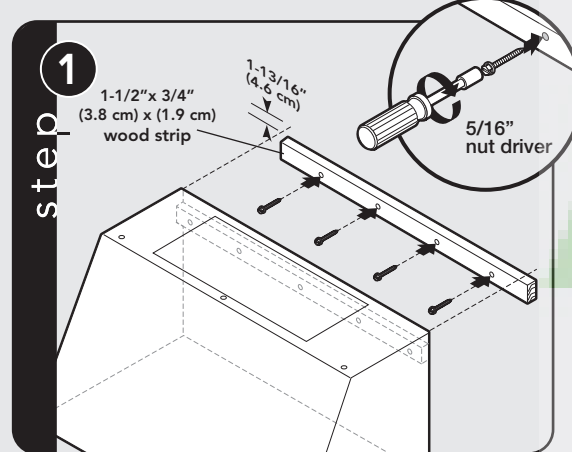
Slide filter front over front lip. Push filter rear up, then slide back over rear lip.

To install ventilation kit refer to ventilation kit installation instructions.

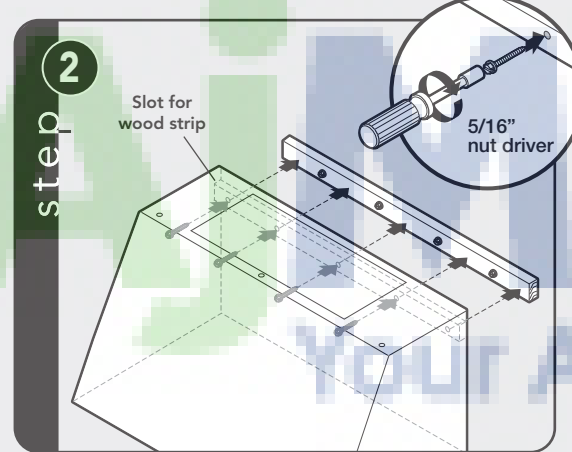


Slide filter front over front lip. Push filter rear up, then slide back over rear lip.

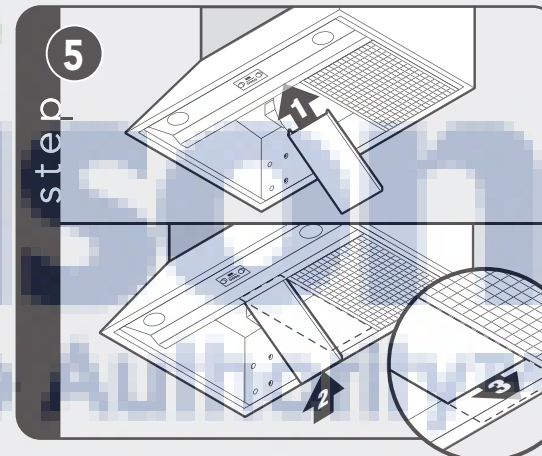
Installation (DCWH/DCWN/DCWL Classic Chimney & DTWN Tall Traditional Wall Hoods)



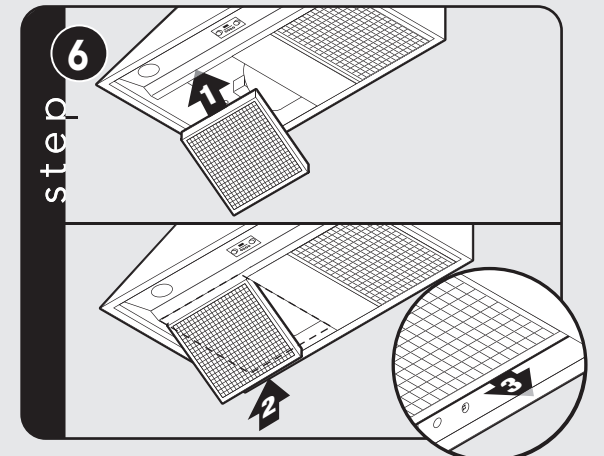
Measure down 1-13/16 (4.6 cm) from desired height of hood and secure 1-1/2" x 3/4" wood strip (not included) to wall using screws provided.



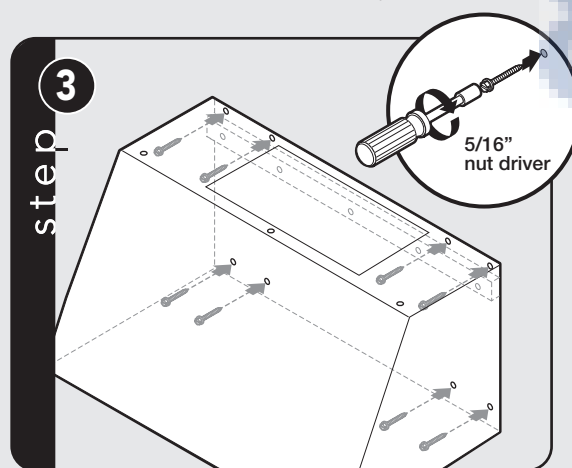
Use additional mounting screws to secure hood to wood strip.



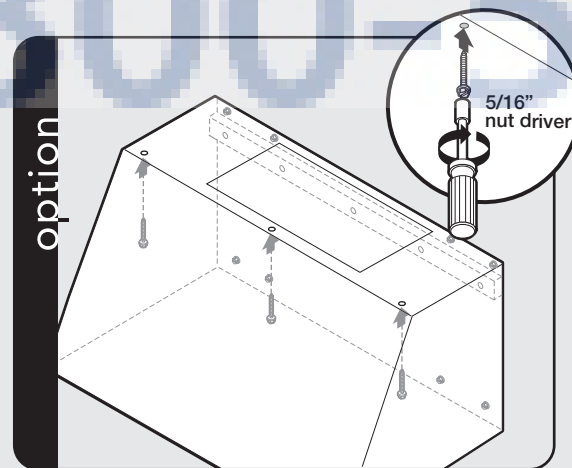
Slide spacer front over front lip. Push spacer rear up, then slide back over rear lip.



Slide filter front over front lip. Push filter rear up, then slide back over rear lip.

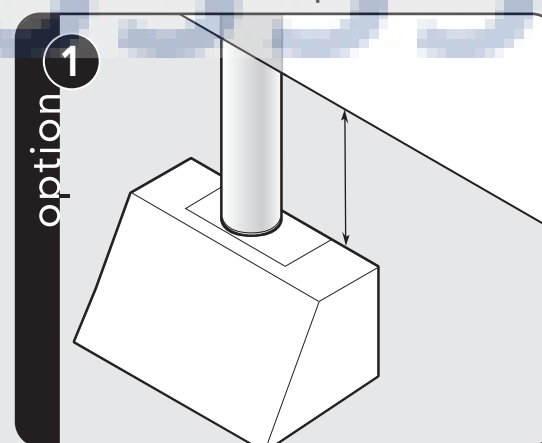


CAUTION: Secure vent hood to wall using screws provided. Make sure mounting screws are secured into frame. Use additional mounting screws and wall anchors, if necessary.

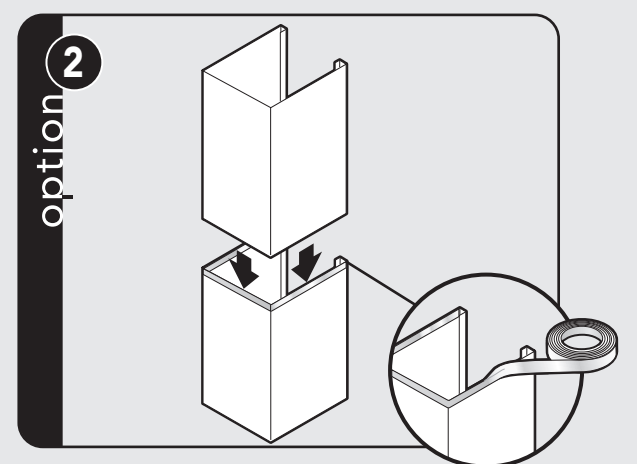


CAUTION: If not using a duct cover, using screws provided make sure top mounting screws are secured into soffit or cabinet frame. Use additional mounting screws, if necessary.

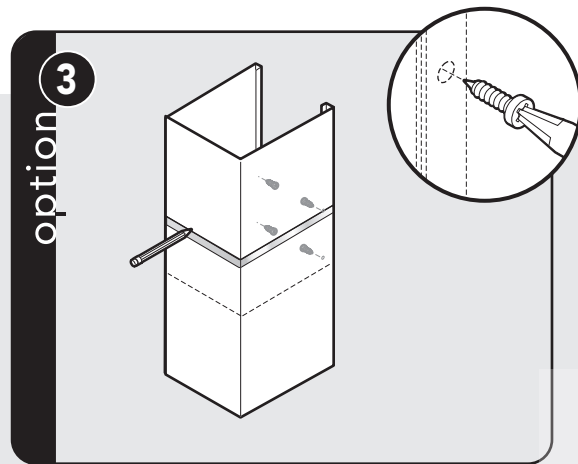
Duct Cover Option (DCWH/DCWN/DCWL Classic Chimney Wall Hoods)



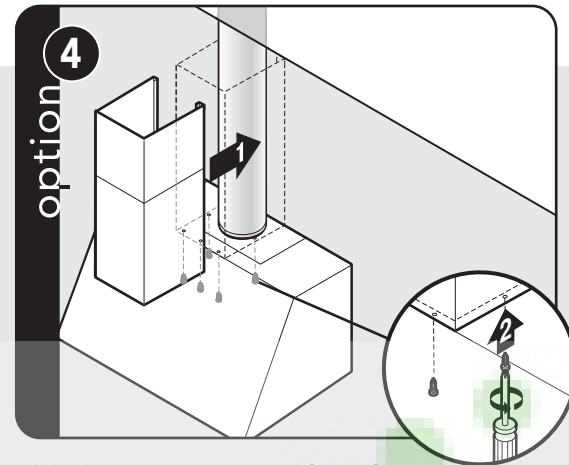
Measure distance from ceiling to canopy.



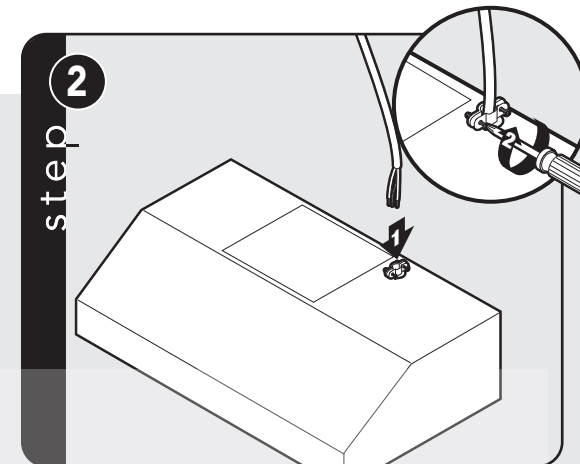
Tape to avoid scratching.



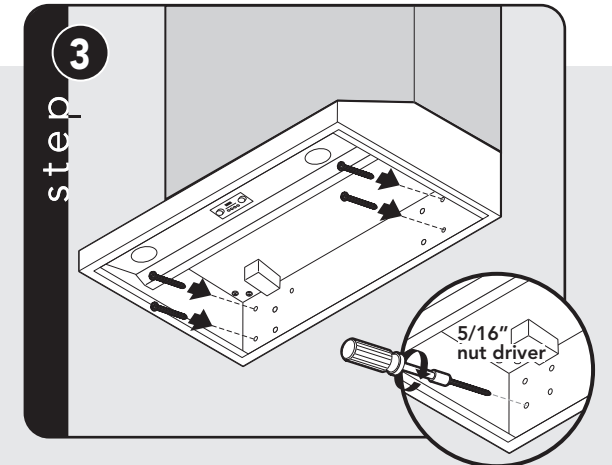
Place duct cover top inside duct cover base and lower until desired height is found. Mark height. Use the retaining nuts and bolts to fasten in place and remove tape.



Slide duct cover in place and fasten from inside canopy using the sheet metal screws provided.

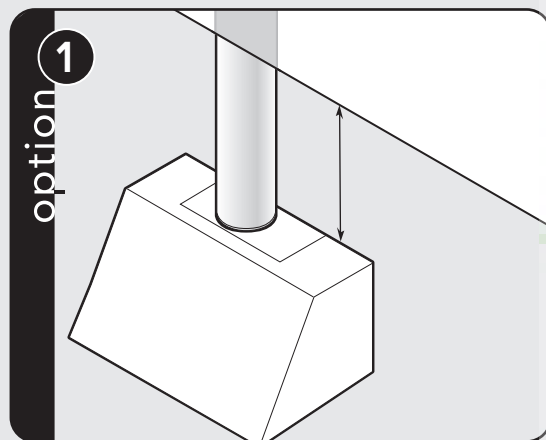


Insert 6" of electrical wiring through the top of vent hood and secure using wiring restraint. Refer to local codes.

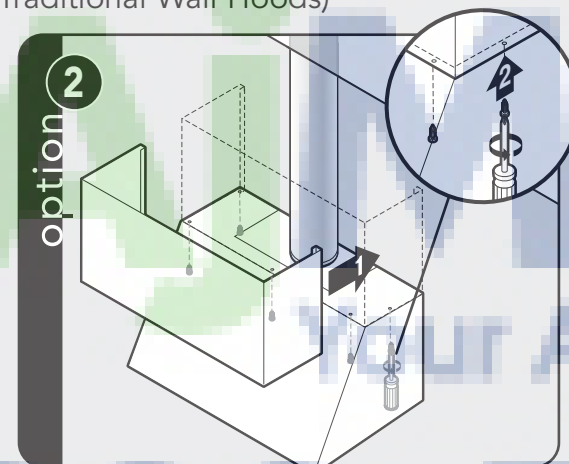


CAUTION: Using screws provided, secure vent hood to wall. Make sure mounting screws are secured into frame. Use additional mounting screws and wall anchors, if necessary.

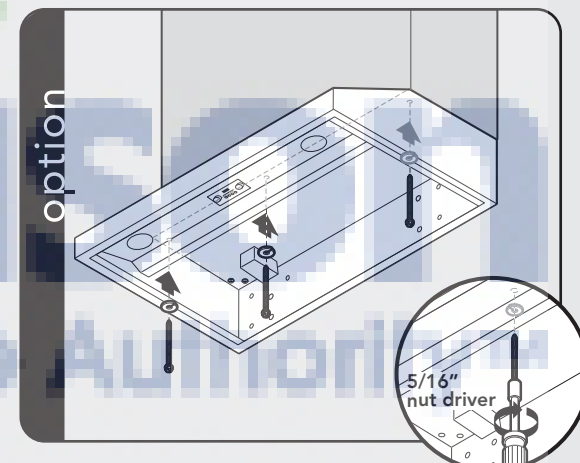
Duct Cover Option (DTWN Tall Traditional Wall Hoods)



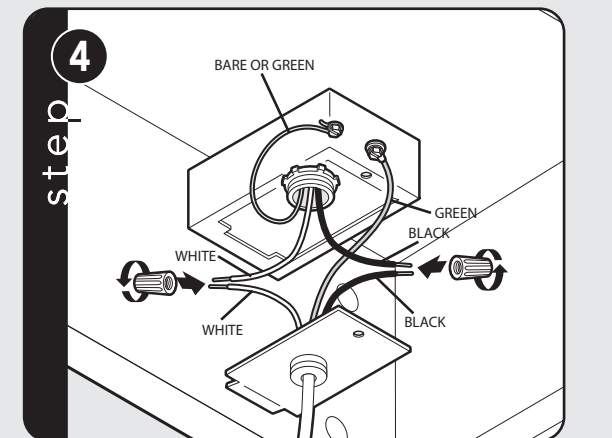
Measure distance from ceiling to canopy.



Slide duct cover in place and fasten from inside canopy using the sheet metal screws provided.

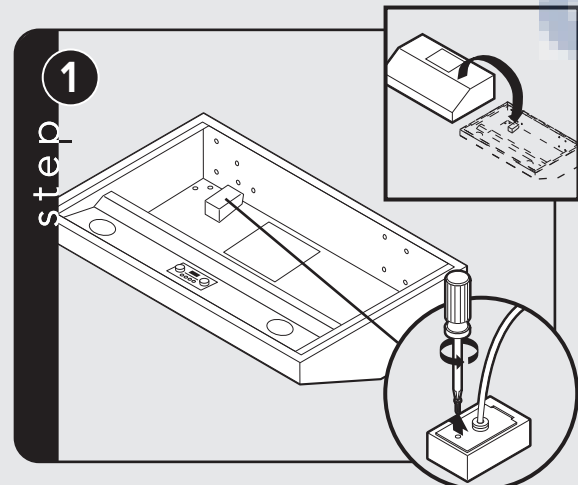


CAUTION: If not using a duct cover, use screws provided and make sure top mounting screws are secured into soffit or cabinet frame. Use additional mounting screws, if necessary.



Connect black to black, white to white, and the green/bare wire under the green screw.
NOTE: Housing wiring must be properly installed for wiring to be correct when wiring unit.

Installation (DTWS Slim Traditional)

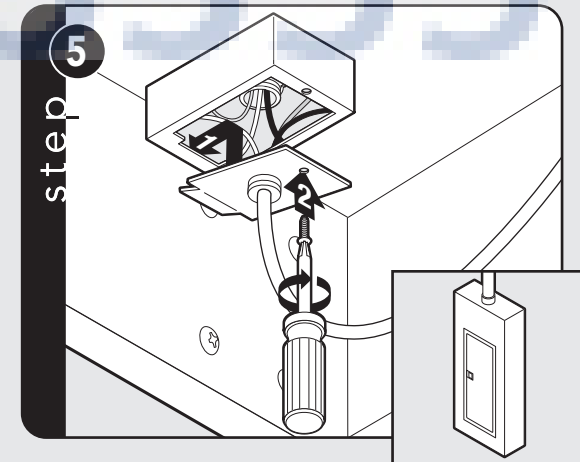


Flip hood over. Remove electrical box cover.

⚠ WARNING

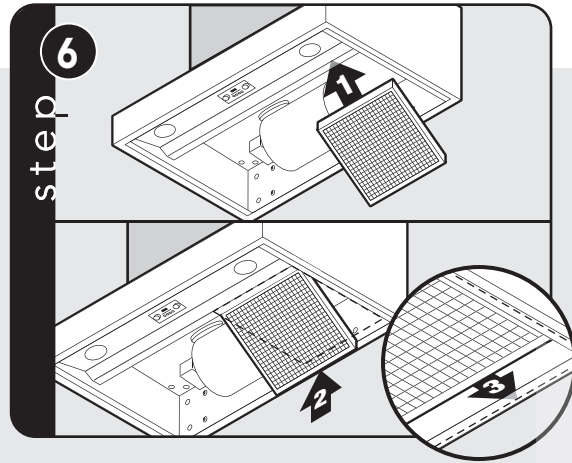
TO REDUCE THE RISK OF FIRE, ELECTRIC SHOCK, OR INJURY TO PERSONS, OBSERVE THE FOLLOWING

- Use this unit only in the manner intended by the manufacturer. If you have any questions, contact the manufacturer.
- Before servicing or cleaning unit, switch power off at service panel and lock service panel to prevent power from being switched on accidentally. When the service disconnecting means cannot be locked, securely fasten a prominent warning device, such as a tag, to the service panel.

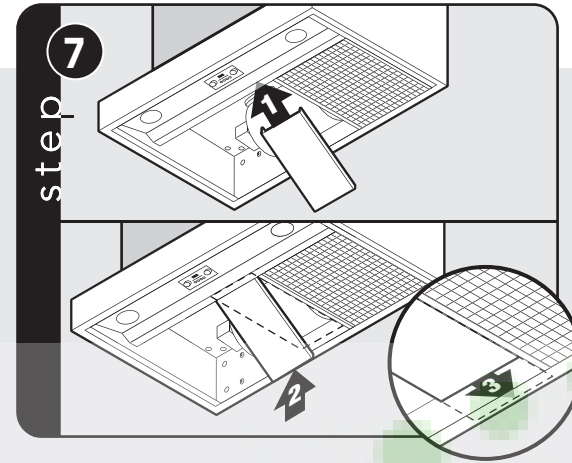


Replace electrical box cover. Make connection to breaker box.

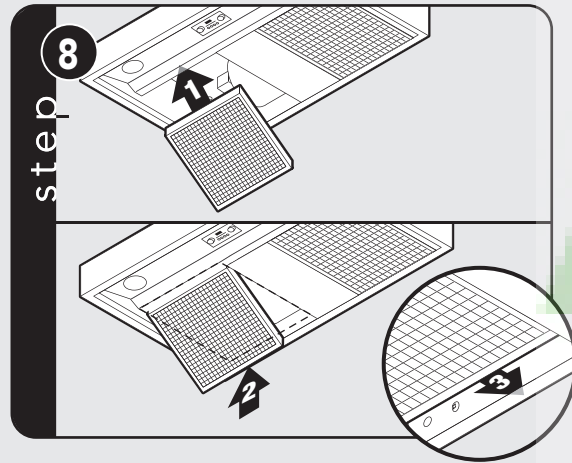
To install ventilation kit refer to ventilation kit installation instructions.



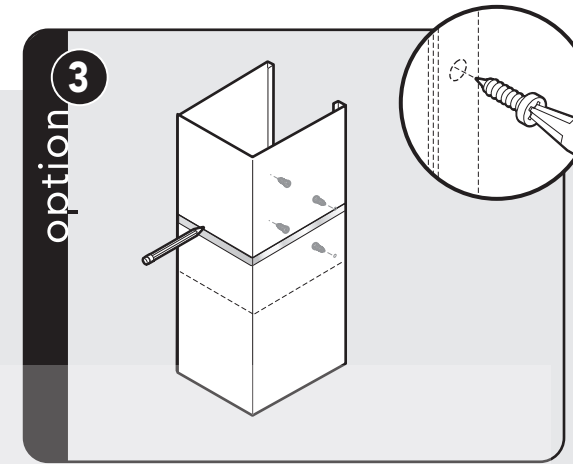
Slide filter front over front lip. Push filter rear up, then slide back over rear lip.



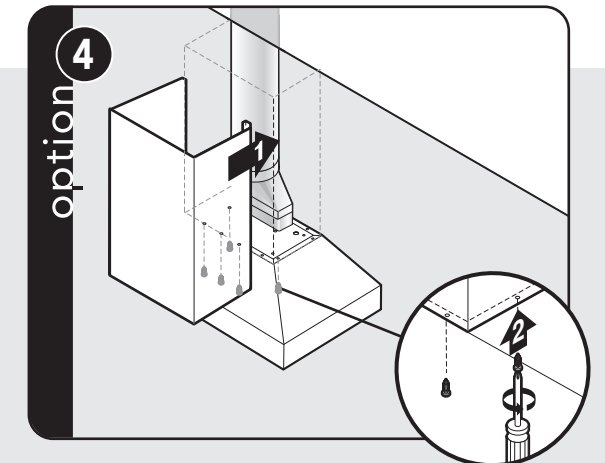
Slide spacer front over front lip. Push spacer rear up, then slide back over rear lip. **NOTE:** Number of spacers and baffles may vary by model.



Slide filter front over front lip. Push filter rear up, then slide back over rear lip.



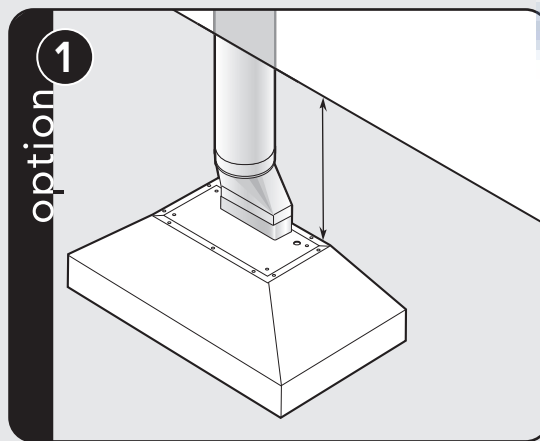
Place duct cover top inside duct cover base and lower until desired height is found. Mark height. Use the retaining nuts and bolts to fasten in place from inside and remove tape.



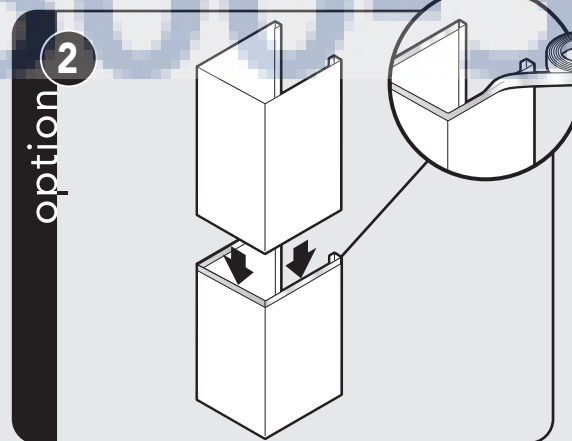
Slide duct cover in place and fasten from inside canopy using the sheet metal screws provided.

Aj Madison
Your Appliance Authority™
800-570-3355

Duct Cover Option (DTWS Slim Traditional Wall Hoods)

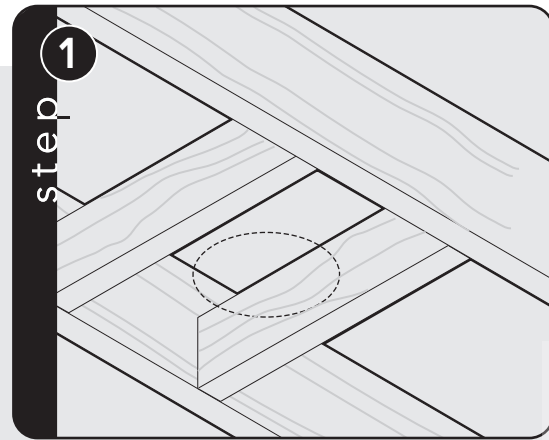


Measure distance from ceiling to canopy.

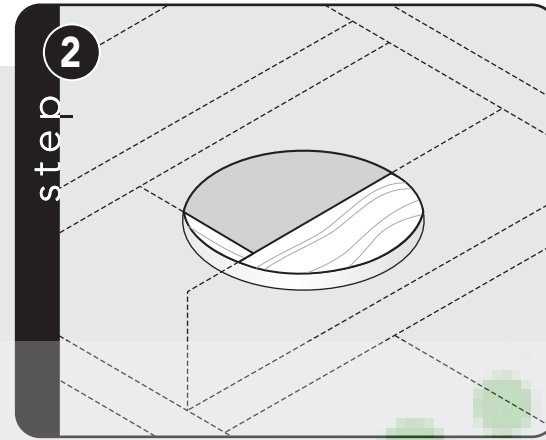


Tape to avoid scratching.

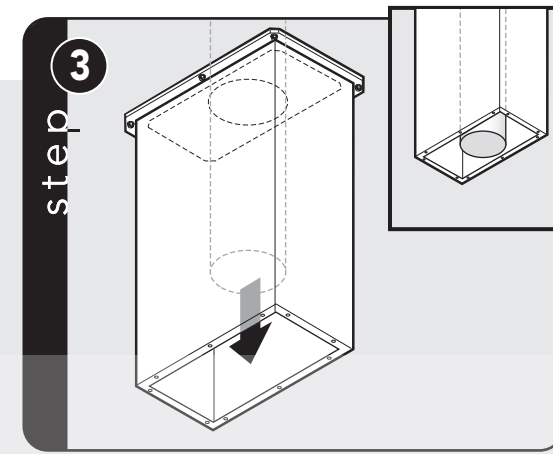
Installation (DCIH Classic Chimney Island Hoods)



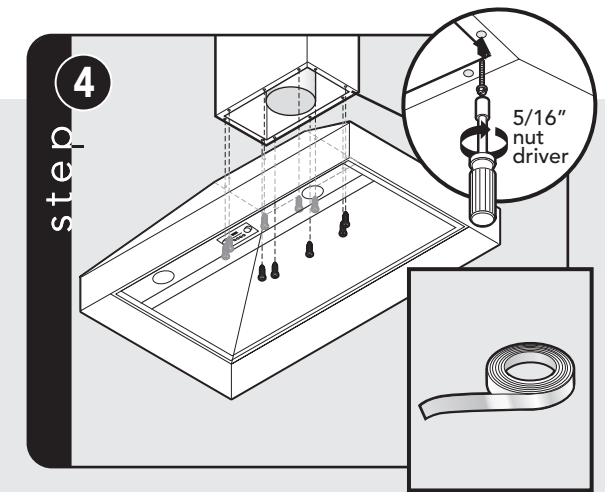
Check framing where cutout will be.
NOTE: 200 lb. limit.



Cut appropriate size hole in ceiling. Either 7" or 10" depending on your specific unit and ventilator kit.



Run duct work down to bottom edge of duct cover/soffit and secure in place. Make sure the duct does not stick down past the cover.

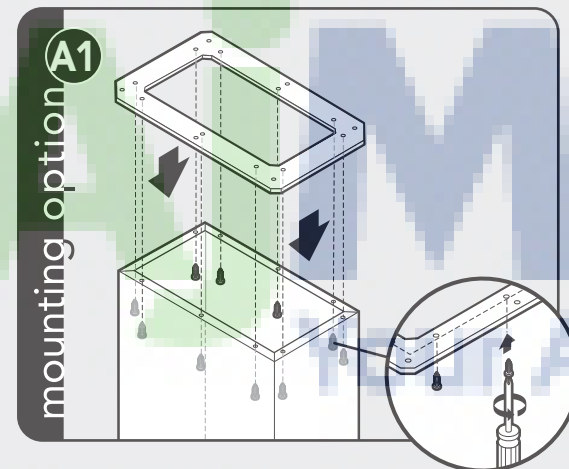


Attach canopy to duct cover/soffit. From inside of hood, seal top of hood to duct with aluminum tape.

Mounting options:

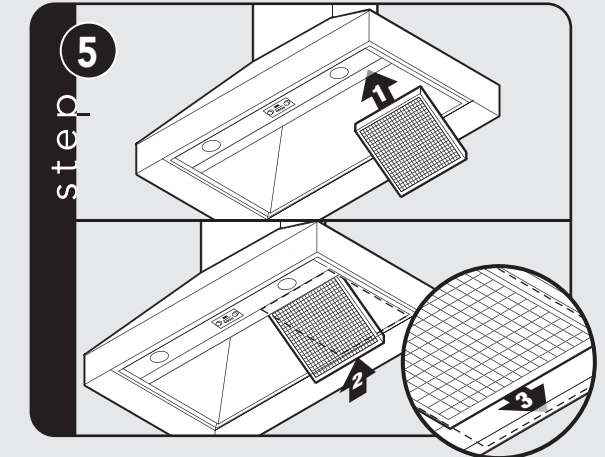
- Using duct cover with ceiling mounting bracket. (Option A)
- Using threaded rod for additional support. (Option B)
- Attaching hood directly to soffit or duct cover. (Skip to step 3)

NOTE: It is recommended to follow option A or B, however both aren't necessary.

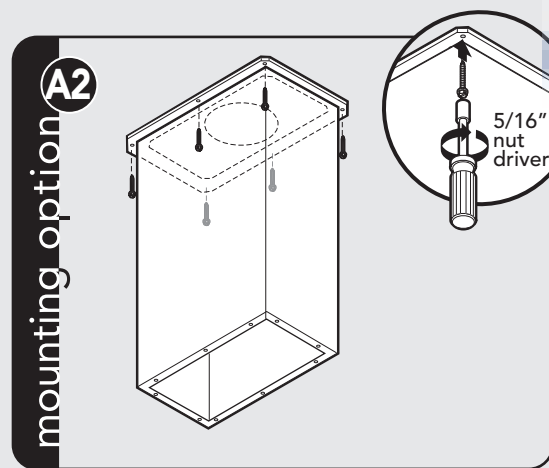


Attach duct cover to optional ceiling mounting bracket.

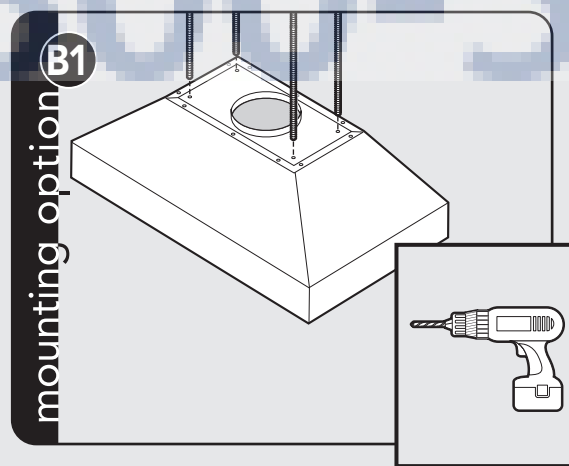
To install ventilation kit refer to ventilation kit installation instructions.



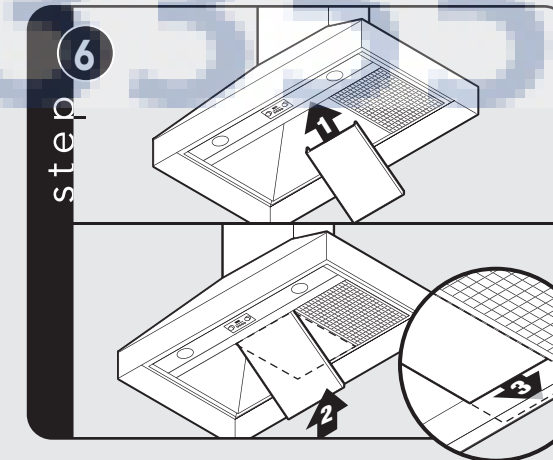
Slide filter front over front lip. Push filter rear up, then slide back over rear lip.



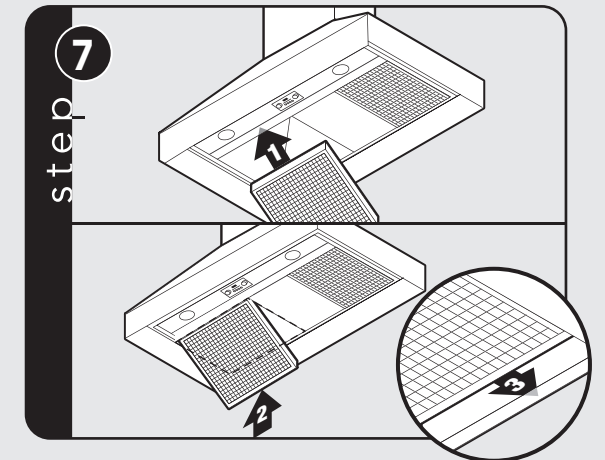
Attach duct cover to ceiling. The ceiling bracket can be hidden by using a locally supplied trim.



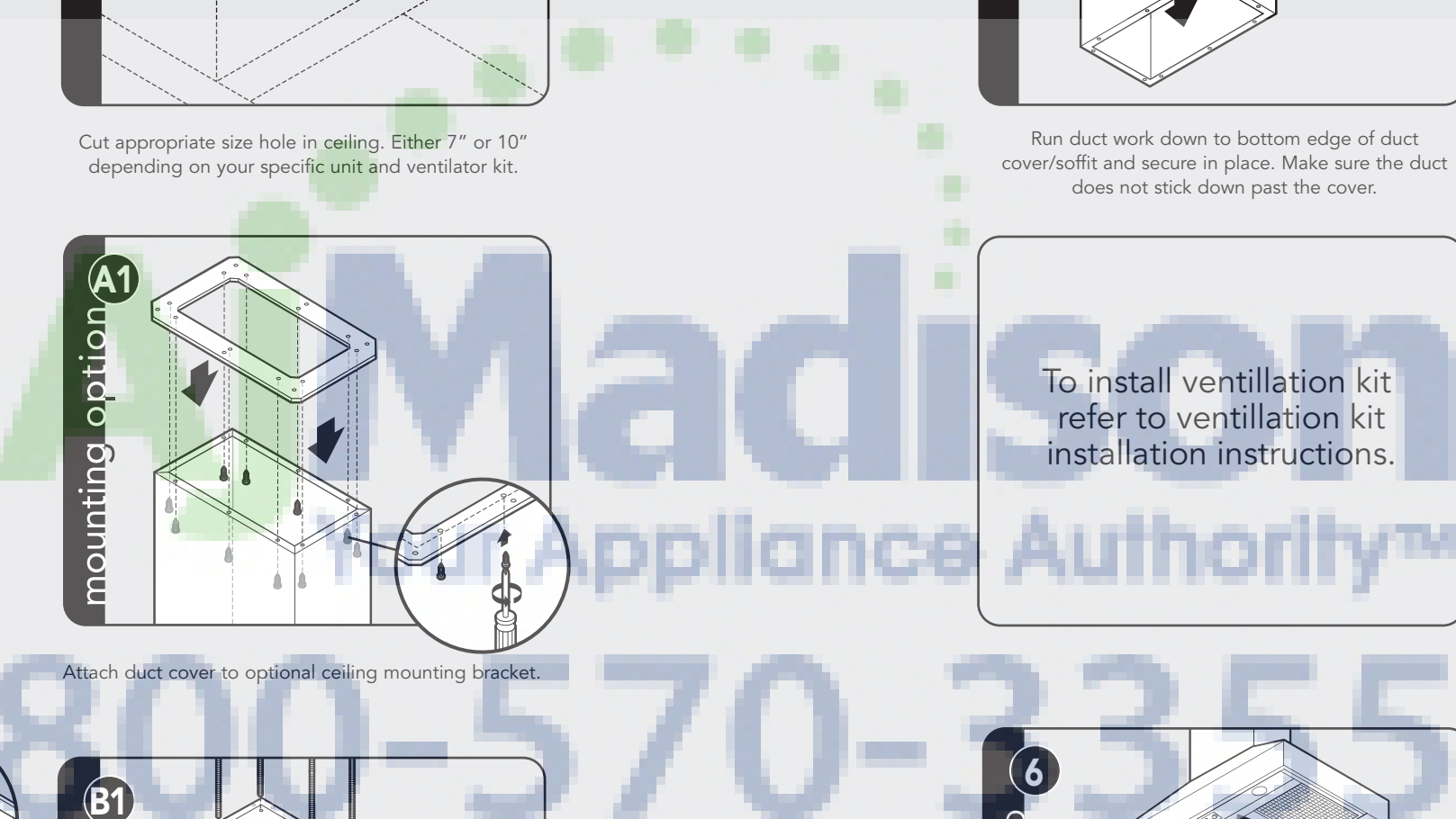
Additional support option. Drill holes in all four corners for threaded rod and run rods from hood to ceiling.



Slide spacer front over front lip. Push spacer rear up, then slide back over rear lip. **NOTE:** Number of spacers and baffles may vary by model.



Slide filter front over front lip. Push filter rear up, then slide back over rear lip.



Service & Registration

Service & Parts

Only authorized replacement parts may be used in performing service on the appliance. Do not repair or replace any part of the appliance unless specifically recommended in the manual. All other servicing should be referred to a qualified technician.

Record the following information indicated below. You will need it if service is ever required. The serial number and model number for your appliance are located on the identification plate mounted on the inside of the hood canopy.

Model number

Serial number

Date of purchase

Date installed

Dealer's name

Address



