

# ZEPHYR

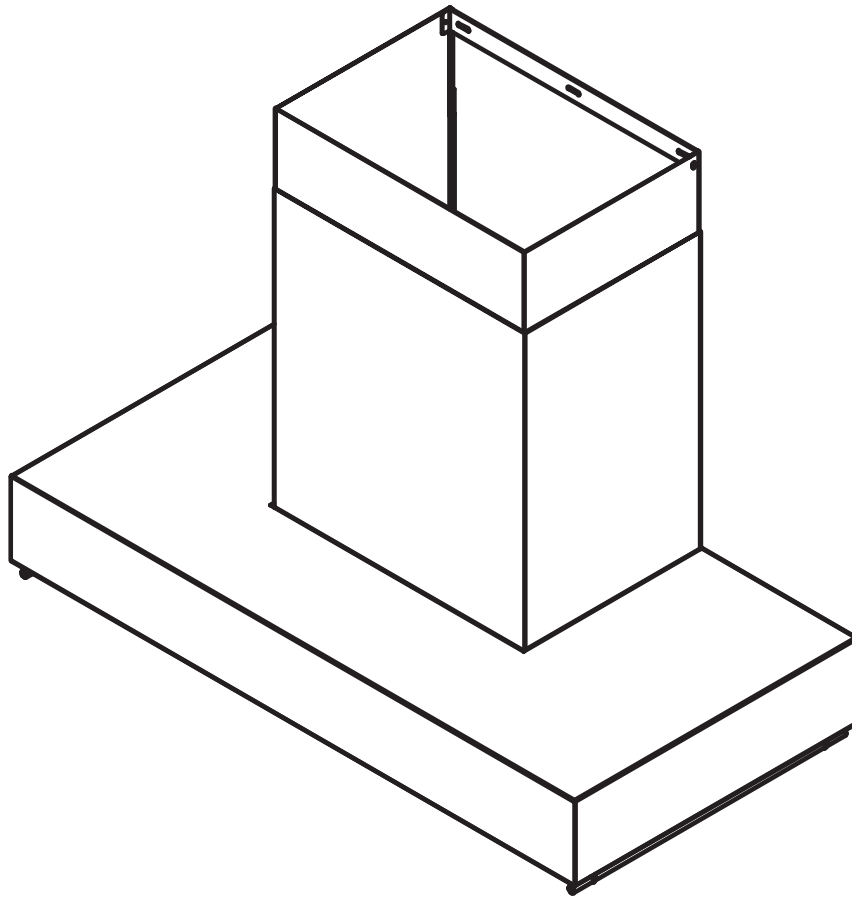
WWW.ZEPHYRONLINE.COM

## Roma Pro

ZRP-E36BS, ZRP-E48BS

EN Use, Care, and Installation Guide

FR Guide d'utilisation, d'entretien et d'installation



ACT™  
Airflow Control Technology

c UL US LISTED



---

	Page
<b>Safety Information .....</b>	<b>4-6</b>
Types of Safety Warnings.....	4
General Safety .....	4-5
Operation .....	6
Electrical Requirements .....	6
Federal Communication Commission Interface Statement .....	6
<b>List of Materials.....</b>	<b>7</b>
<b>Installation Instructions.....</b>	<b>8-16</b>
Ducting Calculation Sheet.....	8
Mounting Height, Clearance, & Ducting .....	9-10
Ducting Options .....	11
Hood Specifications.....	12
Electrical Supply.....	13
Cable Lock .....	13
Mounting the Hood.....	14
PBD-1300B Dual Blower Installation.....	15-16
<b>Features &amp; Controls.....</b>	<b>17-20</b>
Electronic LCD Controls.....	17-18
Optional RF Remote Control.....	19-20
<b>Maintenance .....</b>	<b>21-22</b>
Hood & Filter Cleaning.....	21-22
Swivel LumiLight LED .....	22
<b>ACT™ Conversion.....</b>	<b>23-24</b>
Airflow Control Technology (ACT™) .....	23
Enabling ACT™ .....	24
<b>Wiring Diagram .....</b>	<b>25</b>
<b>Troubleshooting.....</b>	<b>26-27</b>
<b>List of Parts &amp; Accessories .....</b>	<b>28</b>
<b>Limited Warranty .....</b>	<b>29</b>
<b>Product Registration.....</b>	<b>30</b>

## READ AND SAVE THESE INSTRUCTIONS

**Your safety and the safety of others are very important.** We have provided many important safety messages in this manual for your appliance. Always read and obey all safety messages.



This is the Safety Alert Symbol. This symbol alerts you to potential hazards that can cause severe bodily injury or death. All safety messages will follow the Safety Alert Symbol and either the words “DANGER” “WARNING” or “CAUTION”



### General Safety



WARNING - TO REDUCE THE RISK OF FIRE, ELECTRIC SHOCK, OR INJURY TO PERSONS, OBSERVE THE FOLLOWING:

- Use this unit only in the manner intended by the manufacturer. If you have questions, contact the manufacturer.
- Before servicing or cleaning unit, switch power off at service panel and lock the service disconnecting means to prevent power from being switched on accidentally. When the service disconnecting means cannot be locked, securely fasten a prominent warning device, such as a tag, to the service panel.



WARNING - TO REDUCE THE RISK OF A RANGE TOP GREASE FIRE:

- Never leave surface units unattended at high settings. Boilovers cause smoking and greasy spillovers that may ignite. Heat oils slowly on low or medium settings.
- Always turn hood ON when cooking at high heat or when flambeing food. (i.e. Crepes Suzette, Cherries Jubilee, Peppercorn Beef Flambe’).
- Clean ventilating fans frequently. Grease should not be allowed to accumulate on fan or filter.
- Use proper pan size. Always use cookware appropriate for the size of the surface element.

## READ AND SAVE THESE INSTRUCTIONS



WARNING - TO REDUCE THE RISK OF INJURY TO PERSONS IN THE EVENT OF A RANGE TOP GREASE FIRE, OBSERVE THE FOLLOWING<sup>o</sup>:

- a) SMOTHER FLAMES with a close-fitting lid, cookie sheet, or metal tray, then turn off the burner. BE CAREFUL TO PREVENT BURNS. If the flames do not go out immediately, EVACUATE AND CALL THE FIRE DEPARTMENT.
- b) NEVER PICK UP A FLAMING PAN – You may be burned.
- c) DO NOT USE WATER, including wet dishcloths or towels – a violent steam explosion will result.
- d) Use an extinguisher ONLY if:
  - 1) You know you have a Class ABC extinguisher, and you already know how to operate it.
  - 2) The fire is small and contained in the area where it started.
  - 3) The fire department is being called.
  - 4) You can fight the fire with your back to an exit

<sup>o</sup>Based on “Kitchen Firesafety Tips” published by NFPA.



WARNING - TO REDUCE THE RISK OF FIRE, ELECTRIC SHOCK, OR INJURY TO PERSONS, OBSERVE THE FOLLOWING:

- a) Installation work and electrical wiring must be done by qualified person(s) in accordance with all applicable codes and standards, including fire-rated construction.
- b) Sufficient air is needed for proper combustion and exhausting of gases through the flue (chimney) of fuel burning equipment to prevent back drafting. Follow the heating equipment manufacturer’s guideline and safety standards such as those published by the National Fire Protection Association (NFPA), and the American Society for Heating, Refrigeration and Air Conditioning Engineers (ASHRAE), and the local code authorities.
- c) When cutting or drilling into wall or ceiling, do not damage electrical wiring and other hidden utilities.
- d) Ducted fans must always be vented to the outdoors.
- e) If this unit is to be installed over a tub or shower, it must be marked as appropriate for the application and be connected to a GFCI (Ground Fault Circuit Interrupter) - protected branch circuit.



## READ AND SAVE THESE INSTRUCTIONS

### Operation

- ▶ Always leave safety grilles and filters in place. Without these components, operating blowers could catch onto hair, fingers and loose clothing.
- ▶ The manufacturer declines all responsibility in the event of failure to observe the instructions given here for installation, maintenance and suitable use of the product. The manufacturer further declines all responsibility for injury due to negligence and the warranty of the unit automatically expires due to improper maintenance.

**NOTE:** Please check [www.zephyronline.com](http://www.zephyronline.com) for revisions before doing any custom work.

### Electrical Requirements

#### Important:

- ▶ Observe all governing codes and ordinances.
- ▶ It is the customer's responsibility to be aware of these below:
- ▶ To contact a qualified electrical installer.
- ▶ To assure that the electrical installation is adequate and in conformance with National Electrical Code, ANSI/NFPA 70 latest edition\* or CSA standards C22.1-94, Canadian Electrical Code, Part 1 and C22.2 No.0-M91 - latest edition\*\* and all local codes and ordinances.
- ▶ If codes permit and a separate ground wire is used, it is recommended that a qualified electrician determine that the ground path is adequate.
- ▶ Do not ground to a gas pipe.
- ▶ Check with a qualified electrician if you are not sure the range hood is properly grounded.
- ▶ Do not have a fuse in the neutral or ground circuit.
- ▶ This appliance requires a 120V 60Hz electrical supply and connected to an individual properly grounded branch circuit protected by a 15 or 20 ampere circuit breaker or time delay fuse. Wiring must be 2 wire with ground. Please also refer to Electrical Diagram on product.
- ▶ A cable locking connector (not supplied) might also be required by local codes. Check with local requirements, purchase and install appropriate connector if necessary.

\* National Fire Protection Association Batterymarch Park, Quincy, Massachusetts 02269

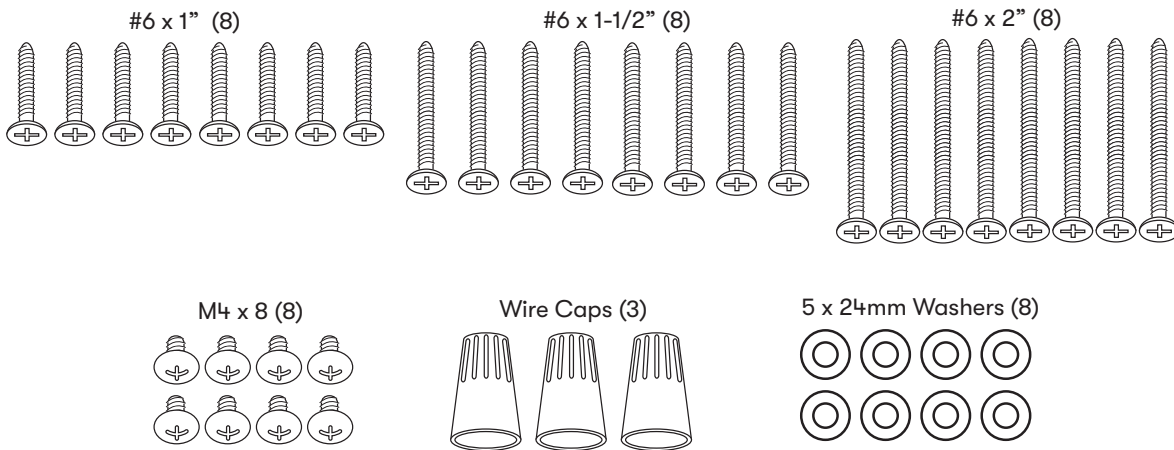
\*\* CSA International 8501 East Pleasant Valley Road, Cleveland, Ohio 44131-5575

### Federal Communication Commission Interface Statement

- ▶ This equipment has been tested and found to comply with the limits for a Class B digital device, pursuant to Part 15 of the FCC Rules. These limits are designed to provide reasonable protection against harmful interference in a residential installation.
- ▶ This equipment generates, uses and can radiate radio frequency energy and, if not installed and used in accordance with the instructions, may cause harmful interference to radio communications. However, there is no guarantee that interference will not occur in a particular installation. If this equipment does cause harmful interference to radio or television reception, which can be determined by turning the equipment off and on, the user is encouraged to try to correct the interference by one of the following measures:
- ▶ Reorient or relocate the receiving antenna.
- ▶ Increase the separation between the equipment and receiver.
- ▶ Connect the equipment into an outlet on a circuit different from that to which the receiver is connected.
- ▶ Consult the dealer or an experienced radio/TV technician for help.

### Parts Supplied

Quantity	Part
1	Hood
2	Duct covers, 1 upper & 1 lower
1	Duct cover bracket
2	Pro baffle filters (3 for 48" models)
2	Swivel LumiLight LED, 6W (pre-installed) (4 for 48" models)
1	8" round starting collar (for single blower ducting)
1	Hardware package

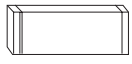

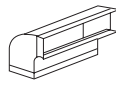
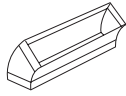
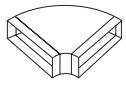
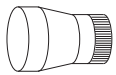
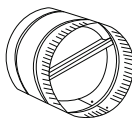
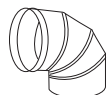
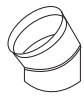


### Parts Not Supplied

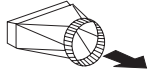
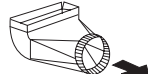
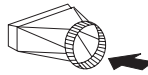
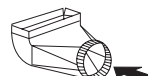
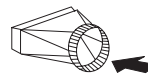
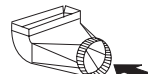
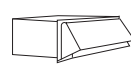
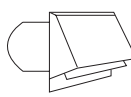

Ducting, conduit and all installation tools
Cable locking connector (if required by local codes)
Dual internal blower (PBD-1300B)
RF remote control (14000005)
Duct cover extension (Z1C-00RP)

# Installation Instructions

## Ducting Calculation Sheet

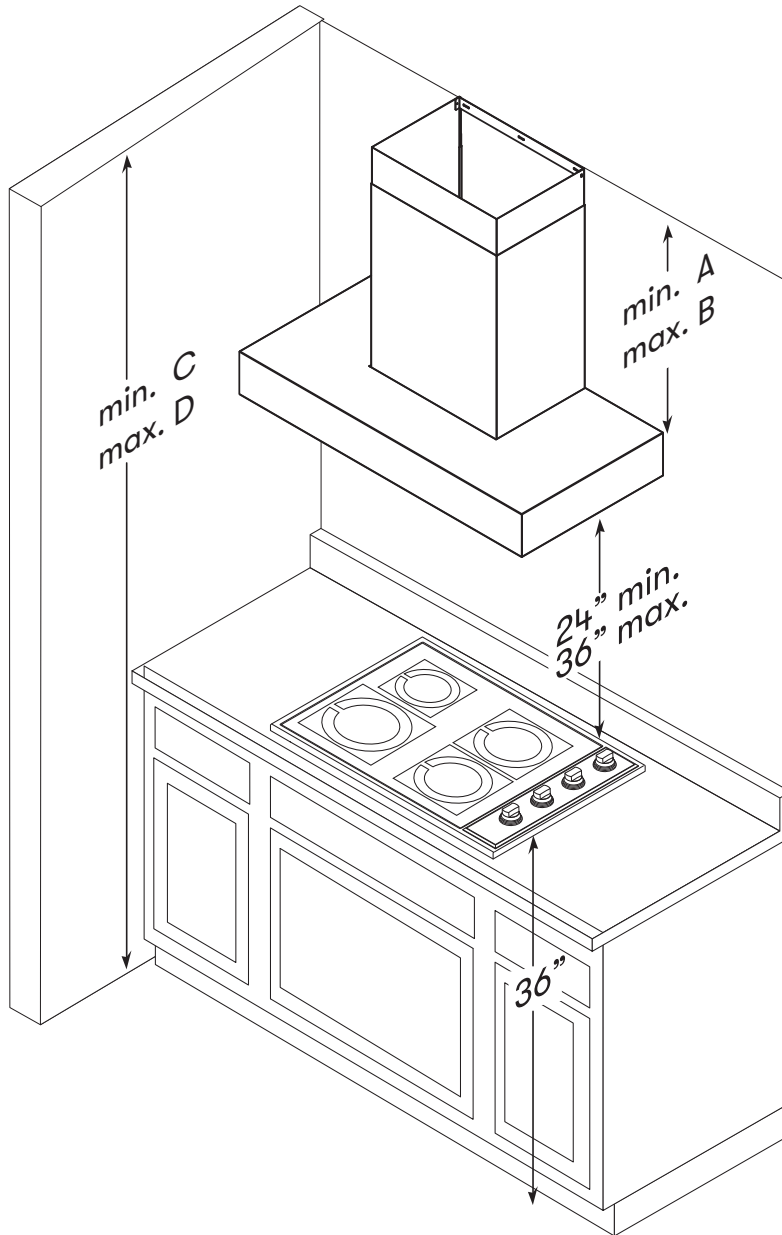
Duct pieces		Equivalent number length x used =	Total
	3-1/4" x 10" Rect., straight	1 Ft. x ( ) =	Ft.
	6", 7", 8", 10" Round, straight	1 Ft. x ( ) =	Ft.
	3-1/4" x 10" Rect. 90° elbow	15 Ft. x ( ) =	Ft.
	3-1/4" x 10" Rect. 45° elbow	9 Ft. x ( ) =	Ft.
	3-1/4" x 10" Rect. 90° flat elbow	24 Ft. x ( ) =	Ft.
	7" to 6" or 8" to 7" Round tapered reducer	25 Ft. x ( ) =	Ft.
	6", 7", 8" Round in-line damper	15 Ft. x ( ) =	Ft.
	6", 7", 8", 10" Round, 90° elbow	15 Ft. x ( ) =	Ft.
	6", 7", 8", 10" Round, 45° elbow	9 Ft. x ( ) =	Ft.
Subtotal column 1 =			Ft.

**Maximum Duct Length:** For satisfactory air movement, the total duct length should not exceed 150 equivalent feet.

Duct pieces		Equivalent number length x used =	Total
	3-1/4" x 10" Rect. to 6" round transition	5 Ft. x ( ) =	Ft.
	3-1/4" x 10" Rect. to 6" round transition 90° elbow	20 Ft. x ( ) =	Ft.
	6" round to 3-1/4" x 10" rect. transition	1 Ft. x ( ) =	Ft.
	6" round to 3-1/4" x 10" rect. transition 90° elbow	16 Ft. x ( ) =	Ft.
	7" round to 3 1/4" x 10" rect. transition	8 Ft. x ( ) =	Ft.
	7" round to 3-1/4" x 10" rect. transition 90° elbow	23 Ft. x ( ) =	Ft.
	3-1/4" x 10" Rect. wall cap with damper	30 Ft. x ( ) =	Ft.
	6", 7", 8", 10" Round, wall cap with damper	30 Ft. x ( ) =	Ft.
	6", 7", 8", 10" Round roof cap	30 Ft. x ( ) =	Ft.
Subtotal column 2 =			Ft.
Subtotal column 1 =			Ft.
Total ductwork =			Ft.



## Mounting Height, Clearance, & Ducting



	Standard Duct Cover	Extension Duct Cover
<b>Hood Heights</b>		
minimum ducted (A)	31-1/2"	43"
maximum (B)	51"	79"
<b>Ceiling Heights</b>		
minimum ducted (C)	91-1/2" (7' 7-1/2")	103" (8' 7")
maximum (D)	121" (10' 1")	149" (12' 5")

# Installation Instructions

---

## Mounting Height, Clearance, & Ducting

A minimum of 8" round duct is recommended to maintain maximum air flow efficiency for single blower and 10" round duct for dual internal blower. Both options can be vertically or horizontally ducted.

Always use rigid type metal ducts only. Flexible ducts could restrict air flow by up to 50%.

Also use the ducting calculation sheet (on page 8) to compute total available duct run when using elbows, transitions and caps.

ALWAYS, when possible, reduce the number of transitions and turns. If long duct run is required, increase duct size.

If turns or transitions are required; install as far away from hood duct output and as far apart, between the two as possible.

Minimum mount height between range top to hood bottom should be no less than 24".

Maximum mount height should be no higher than 34".

It is important to install the hood at the proper mounting height. Hoods mounted too low could result in heat damage and fire hazard; while hoods mounted too high will be hard to reach and will lose its performance and efficiency.

If available, also refer range manufacturer's height clearance requirements and recommended hood mounting height above range. Always check your local codes for any differences.

### For shipment and installation damages:

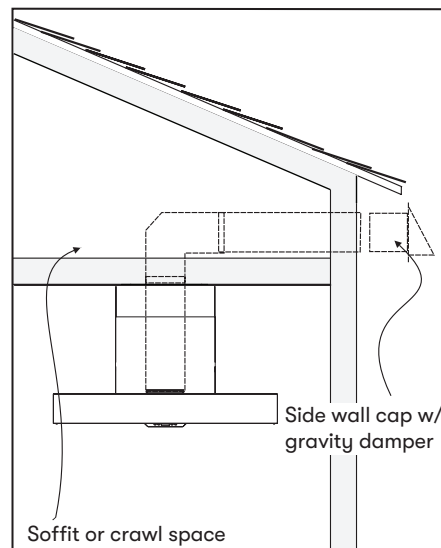
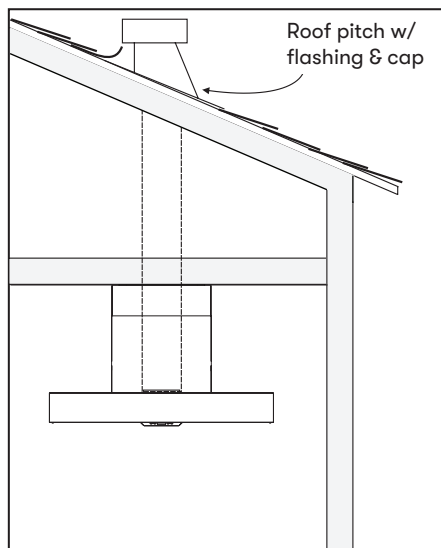
- ▶ Please fully inspect unit for damage before installation.
- ▶ If the unit is damaged in shipment, return the unit to the store in which it was bought for repair or replacement.
- ▶ If the unit is damaged by the customer, repair or replacement is the responsibility of the customer.
- ▶ If the unit is damaged by the installer (if other than the customer), repair or replacement must be made by arrangement between customer and installer.

## Ducting Options

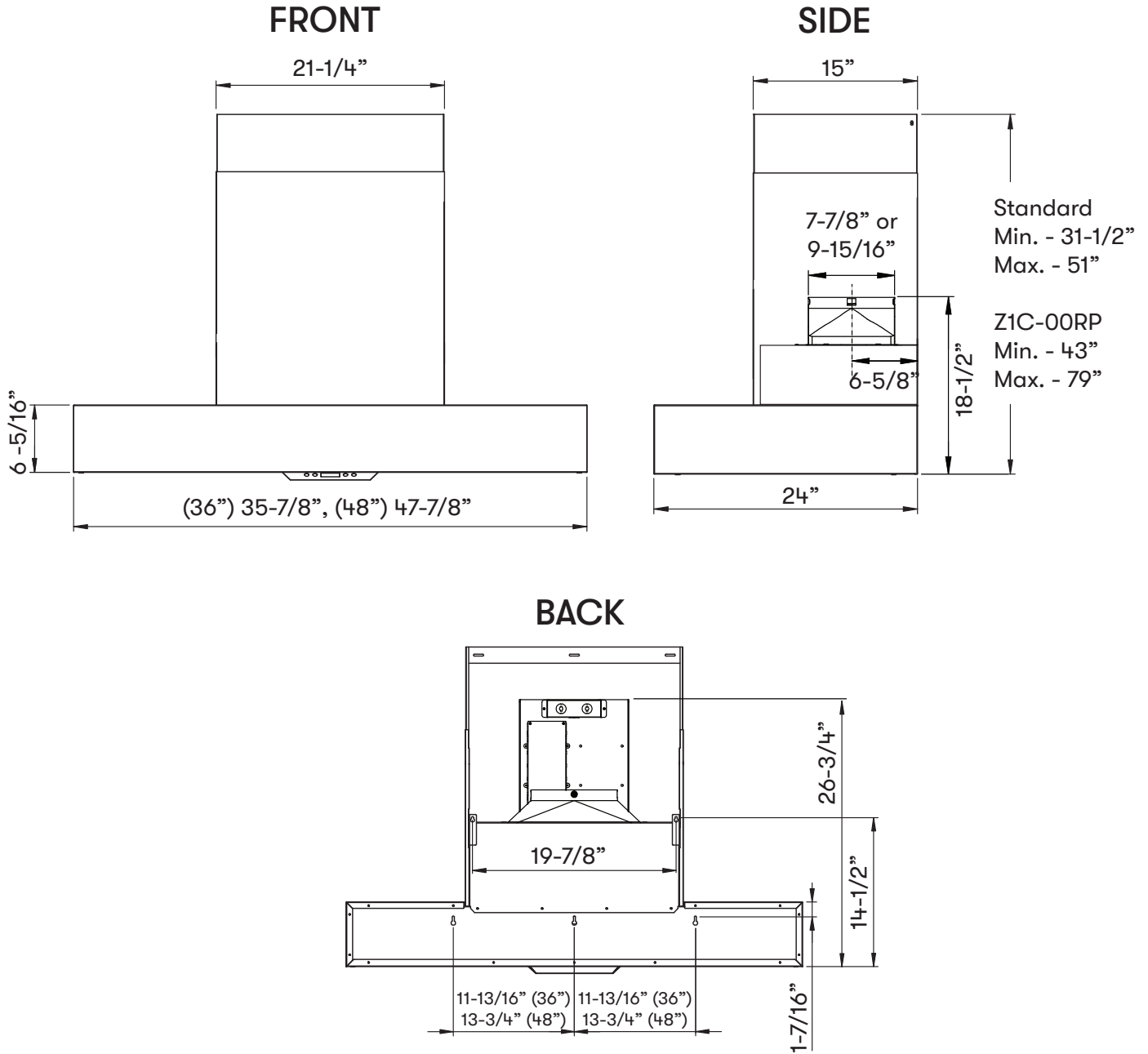
**! WARNING !**

**Fire Hazard:** NEVER exhaust air or terminate ductwork into spaces between walls, crawl spaces, ceilings, attics, or garages. All exhaust must be ducted to the outside, unless using the recirculating option.

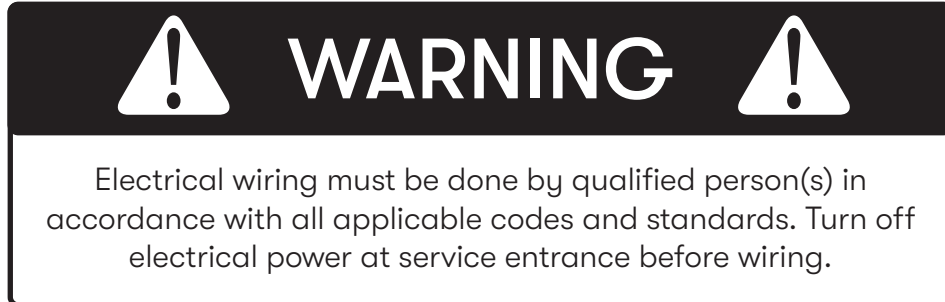
- ▶ Use single wall rigid metal ductwork only.
- ▶ Fasten all connections with sheet metal screws and tape all joints w/ certified Silver Tape or Duct Tape.



## Hood Specifications



## Electrical Supply



For personal safety, remove house fuse or open circuit breaker before beginning installation. Do not use extension cord or adapter plug with this appliance.

### **Follow national electrical codes or prevailing local codes and ordinances.**

This appliance requires a 120V 60Hz electrical supply, and connected to an individual, properly grounded branch circuit, protected by a 15 or 20 ampere circuit breaker or time delay fuse. Wiring must be 2 wire w/ ground. Please also refer to the Electrical Diagram labeled on product.

## Cable Lock

A cable locking connector (not supplied) might be required by local codes. Check with local requirements and codes, purchase and install appropriate connector if necessary. (FIG. A)

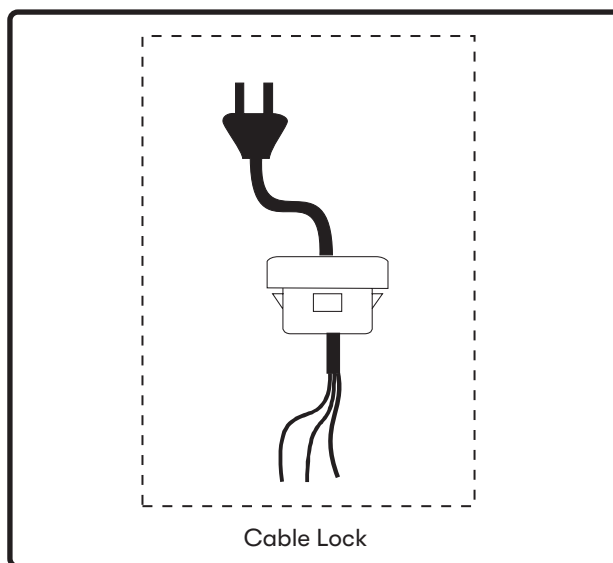


FIG. A

## Mounting the Hood

1. Measure from range top to hood bottom and mark line A. (24" minimum from range top).
2. Plum and mark center line. Mark mounting height line B (14-1/2" from line A). Mark mounting height line C (4-7/8" from line A).
3. Mark mounting spread from C/L on line B and C according to diagram.

4. Fasten (2) 6# x 2" screws into studs on line B. Fasten (3) 6# x 2" screws into studs on line C. Do not fasten screws all the way, leave approximately 3/8" exposed.

**NOTE:** Wood blocking may need to be added behind the drywall if no studs are present. Wall anchors may also be used but check local codes for compliance. Failure to use suitable wall anchors and screws to hold the weight of the hood could result in personal injury or damage to cooking surface or counter.

5. Install round duct collar with backdraft damper to top or rear of hood by (4) M4x8 screws.
6. Hang hood onto wall mounted screws and tighten. (FIG. B1)
7. Center and attach duct cover bracket to wall below ceiling or soffit using (2) 6# x 1-1/2" screws.

8. Prepare and connect electrical and install duct work and duct tape.

9. Power up hood and check for leaks around duct tape.

10. Place telescopic duct covers onto hood and extend inner (top) duct cover upwards and secure to duct cover bracket using (2) M4x8 screws.

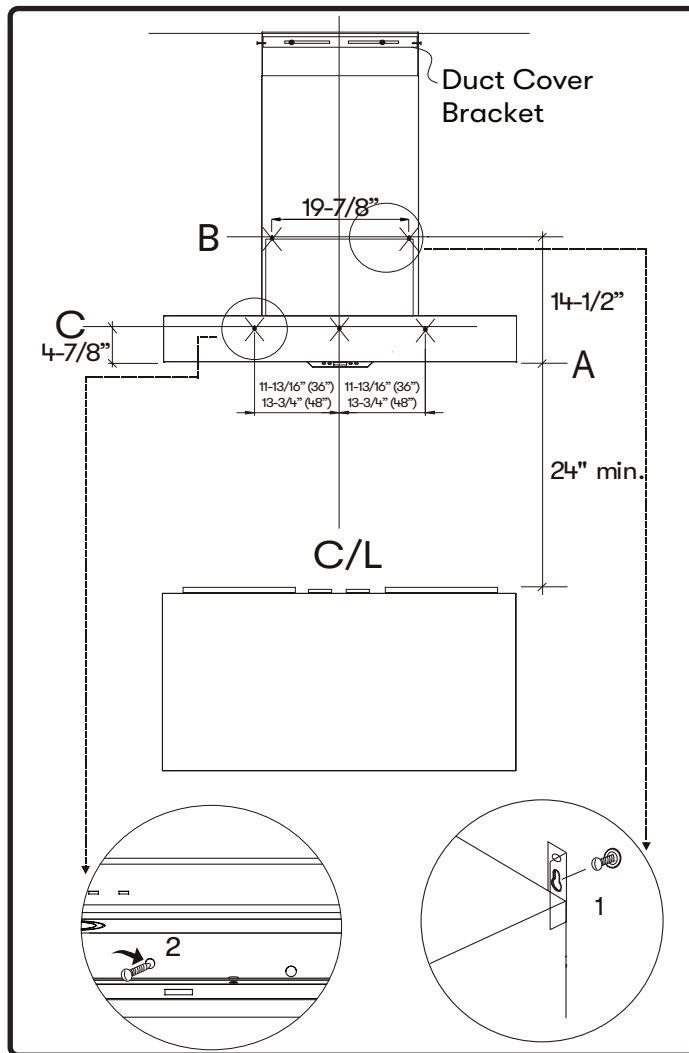
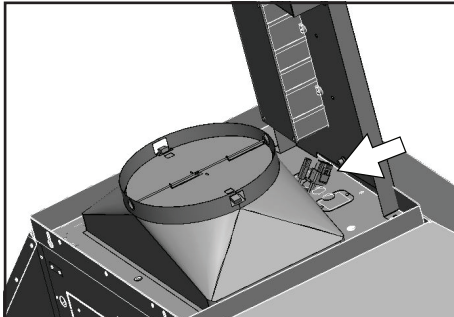


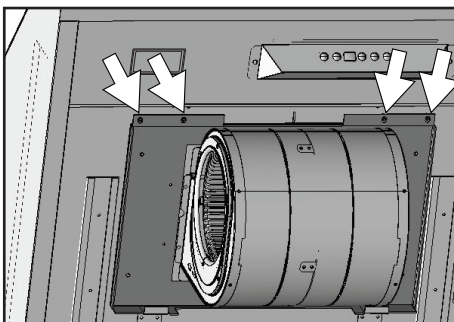
FIG. B

## PBD-1300B Dual Blower Installation

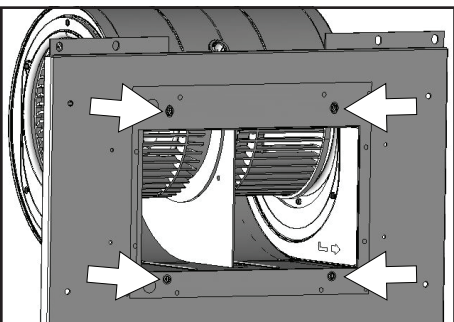
This range hood is equipped standard with a single blower vertical duct option. To convert from single blower vertical ducting to dual blower vertical ducting, please follow the instructions below.



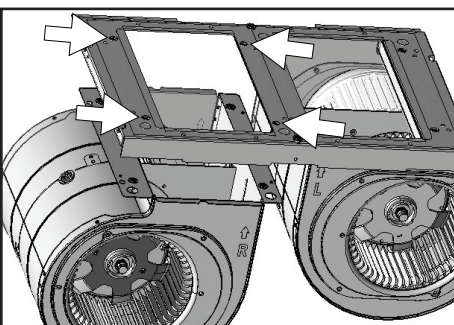
1. Disconnect blower plug and white and black power cables.



2. Remove (4) screws from interior of hood body attaching single blower plate to top of hood body. Remove single blower and single blower plate.

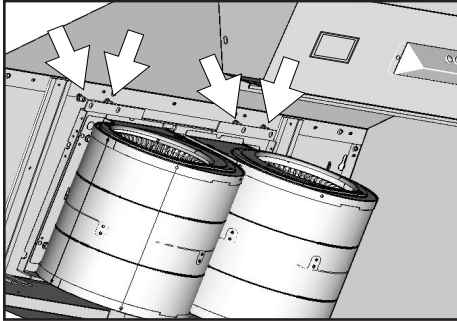


3. Remove (4) screws attaching single blower to single blower plate.

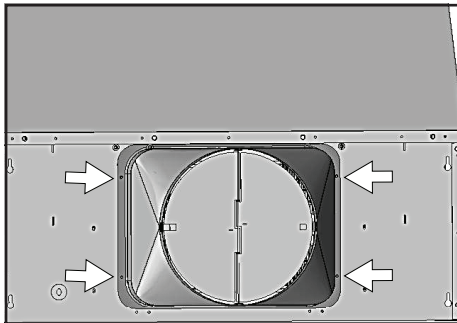


4. Attach single blower to dual blower plate by (4) previously removed screws from step 3.

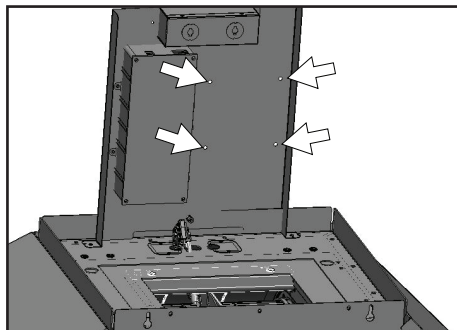
## PBD-1300B Dual Blower Installation



5. Position dual blower inside hood body as shown. Be sure to tuck dual blower plate into blower plate tabs. Secure dual blower by (4) screws previously removed from step 2.



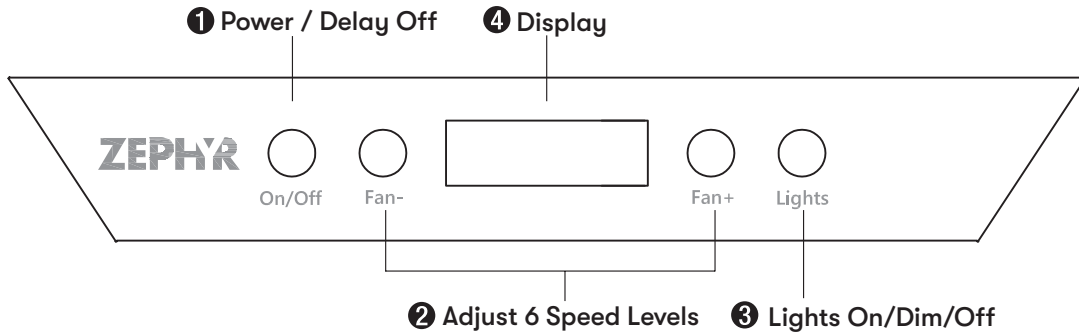
6. Attach 10" round blower collar to top of hood body by (4) M4x8 screws.



7. Attach dual blower PCB to electronics bracket by (4) screws. Refer to wiring diagram on this step. Connect the wiring from the dual blower including both blower plugs, blower cable 6 pin connector (E), dual blower switch cable (H), black single pin power cord from dual blower (K), and white single pin power cord (F) to dual blower PCB.



## Electronic LCD Controls



### 1. Power / Delay Off

#### Power Button Function

On/Off button will turn power on and off for entire hood (fan and lights). The hood will remember the last speed and light level it was turned off at.

#### Delay Off Button Function

With the fan on, press and hold the On/Off button for three seconds. The fan will change to speed 1 and the 10 minute delay off timer will start. A countdown timer will show on the display indicating the time left until the fan and lights automatically turn off. Pressing the On/Off button while the Delay Off Function is enabled will turn the hood off and cancel the Delay Off Function.

#### ACT™ Verification

Airflow Control Technology (ACT™) allows the installer to set the maximum blower CFM to align with local codes and regulations.

To verify the maximum blower CFM:

With hood off, hold the On/Off button for three seconds. The Display will show if ACT™ is disabled and set to the maximum CFM or if ACT™ is enabled and set to one of the restricted maximum CFM levels of 590, 390 or 290.

### 2. Speed Selection

The 6 speed levels are selected by pressing Fan - to decrease and Fan + to increase speed levels. The Display indicates the speed level selected.

#### ACT™ Enabled Speed Selections

When ACT™ is enabled, the number of fan speeds will be reduced to Maximum 3 speeds.

### 3. Lights On/Dim/Off

Switch lights on by pressing Lights button once, press a second time to dim and again to shut off lights.

### 4. Display

The display window indicates speed levels and features such as baffle filter clean reminder, delay off and clean air indicator.

#### Filter Clean Reminder

After 30 hours of fan usage the words “Clean grease filters” will show on the Display indicating it is time to clean the filters.

To Reset: With hood off, hold the Fan - button for 3 seconds until the display words “Clean grease filters” turns off

---

## Electronic LCD Controls

### Clean Air

Clean Air is a feature that turns the fan on every 4 hours for 10 minutes to remove stagnant air in the kitchen.

To enable Clean Air Function:

With hood off, hold the Fan - button and Fan + button simultaneously for three seconds. The words “CleanAir Function Activated” will illuminate and the fan will turn on speed 1 for 10 minutes. After 10 minutes the fan will turn off and the 4 hour timer will begin.

To disable Clean Air Function:

With hood off, hold the Fan - button and Fan + button simultaneously for three seconds. The words “CleanAir Function Deactivated” will illuminate indicating the function has been disabled.

When the Clean Air Function is enabled the fan will turn on speed 1 for 10 minutes every 4 hours of non fan usage. After 10 minutes the fan will turn off and the 4 hour timer will reset.

If the user changes the fan speed while the Clean Air Function is in use, the Clean Air Function will stop.

If the user presses the On/Off button at any time the 4 hour Clean Air timer will reset.

### Optional Remote Control Pairing

To create a unique link between your hood and optional remote control please follow these steps.

With Hood off, press and hold the Lights button until the Display shows the words “Remote Pairing...” then press any button on the remote, the Display will then show the words “Remote Paired” indicating the remote control pairing is complete.

## Optional RF Remote Control

To order the RF remote control, the part number is 14000005. The blue antenna wire needs to be extended for optimal signal. If using the RF remote control, remove the light panel to extend the antenna. There is no need to secure it.

### FCC Caution

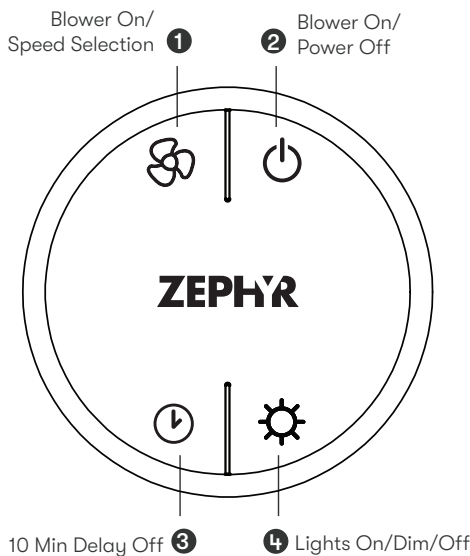
To assure continued compliance, any changes or modifications not expressly approved by the party responsible for compliance could void the user's authority to operate this equipment. (Example - use only shielded interface cables when connecting to computer or peripheral device. This device complies with Part 15 of the FCC Rules. Operation is subject to the following two conditions. (1) This device may not cause harmful interference, and (2) This device must accept any interference received, including interference that may cause undesired operation.

### Synchronization

To create a unique link between your hood and remote control please follow these steps.

1. With hood off, press and hold the Lights button on the hood until the controls display "Remote Pairing..."
2. Press a button on the remote, and the remote control will be synchronized with the hood. The display will show "Remote Paired" which indicates pairing is complete.

### RF Remote Control Functions



#### 1 Blower On / Speed Selection

Press to power on blower and cycle through all six blower speeds.

#### 2 Blower On / Power Off

By pressing , the blowers will power on at the last speed setting. Press again and the entire hood will power off, including lights.

#### 3 Delay Off

By pressing , the blower and lights will enter Delay Off mode. The blower will change to speed 1 and a 10 minute timer will begin counting down.

#### 4 Lights On/Dim/Off

Switch between light levels by pressing . Turn off the lights by cycling through the different light levels.

## Optional RF Remote Control

### RF Remote Features

The RF remote control is equipped with a magnet on the back for easy storage. The remote may be placed on any magnetic surface such as a refrigerator or the Zephyr remote holder, FIG. C. The remote holder can be inserted into a standard electrical outlet for easy storage. Note: The remote holder does not charge the RF remote.

Maximum remote control communication distance is 15 feet from the liner.

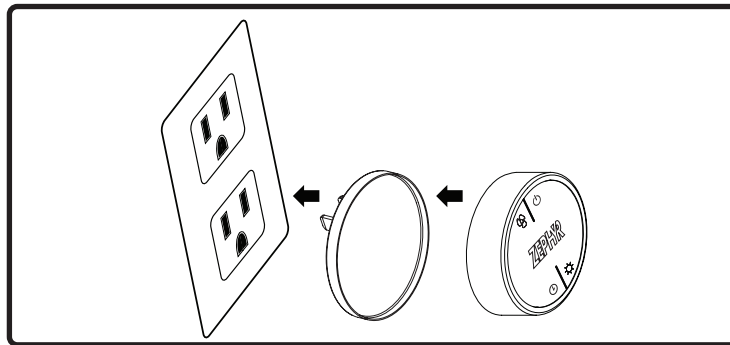


FIG. C

### RF Remote Maintenance

Clean the remote control using non abrasive detergents.

Follow instructions below for replacing battery. Using a small flat head screwdriver, raise the cover of the battery door (A) in order to access the battery compartment. FIG. D.

Remove the battery and replace with battery type A23 12V. Negative end of battery should face the spring inside the remote.

Re-install battery door and recycle old battery.

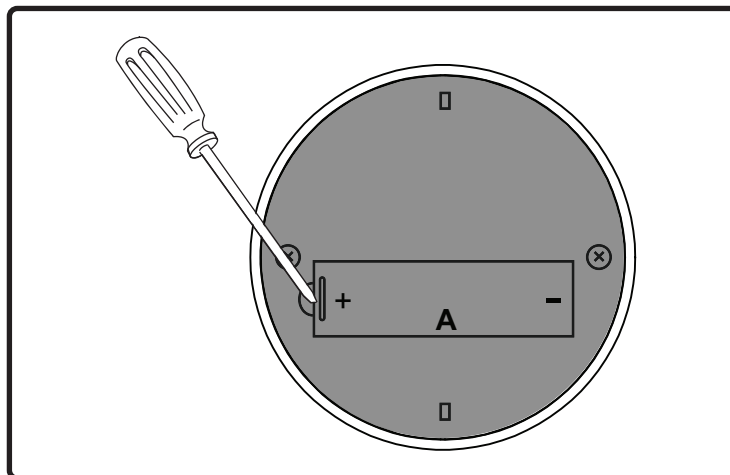


FIG. D

## Hood & Filter Cleaning

### Surface Maintenance

- ▶ Do not use corrosive detergents, abrasive detergents or oven cleaners.
- ▶ Do not use any product containing chlorine bleach or any product containing chloride.
- ▶ Do not use steel wool or abrasive scrubbing pads which will scratch and damage surface.

### Cleaning Stainless Steel

Clean periodically with warm soapy water and clean cotton cloth or micro fiber cloth. Always rub in the direction of the stainless steel grain. To remove heavier grease build up use a liquid degreaser detergent.

After cleaning use a non-abrasive stainless steel polish/cleaners, to polish and buff out the stainless luster and grain. Always scrub lightly, with clean cotton cloth or micro fiber cloth and buff in the direction of the stainless steel grain.

### Cleaning the Baffle Filters

The stainless steel baffle filters are intended to trap residue and grease from cooking. Although the filters should never need replacing, they are required to be cleaned every 30 days or more often depending on cooking habits.

Filters may be placed in dishwasher at low heat or soaked in hot soapy water. Dry filters and re-install before using hood.

# Maintenance

## Removing Baffle Filters, FIG. E

1. Push filter away from front of range hood using handles.
2. Pivot front of filter downward.
3. Remove filter by pulling away from hood.

## Replacing Baffle Filters

Hood Model	Part Number	Qty. to Order
ZRP-E36BS	50210033	2
ZRP-E48BS	50210033	3

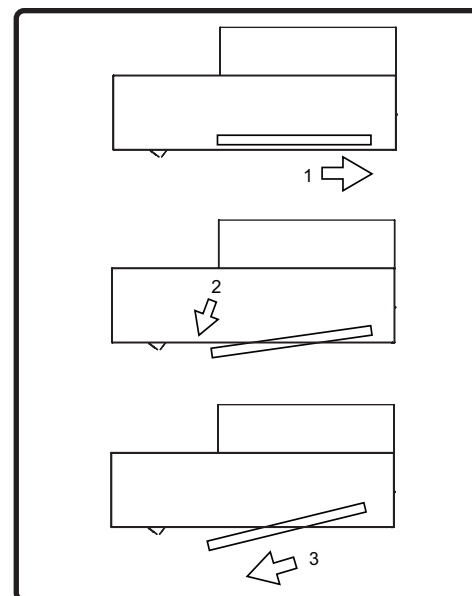


FIG. E

## Swivel LumiLight LED

In the unlikely event that your swivel LumiLight LED fails, please contact Zephyr to order replacement parts. See the list of parts and accessories page for part numbers and contact information.

## LED Removal, FIG. F

1. Remove grease filters.
2. (If applicable) remove both side spacer panels for each spacer panel.
3. Remove screws on light panel.
4. Disconnect LED light quick connector.
5. Remove (2) screws from the sides per LED light.
6. Push LED light through the light panel opening.

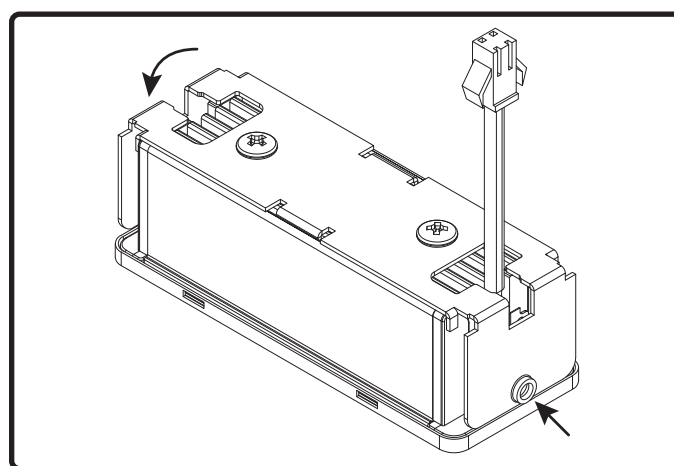


FIG. F

## Airflow Control Technology (ACT™)

Some local codes limit the maximum amount of CFM a range hood can move. ACT™ allows you to control the maximum blower CFM of select Zephyr Ventilation range hoods without the need for expensive make up air kits. ACT™ enables the installer to easily set the maximum blower speed to one of three most commonly specified CFM levels; 590, 390, or 290 CFM. The usage of ACT™ may not be necessary for your installation. Please check your local codes for CFM restrictions.

ACT™ is not available with 1300 CFM dual internal blower option.



### CAUTION



Hood must be disconnected from the main power prior to performing the conversion instructions listed below. Failure to do so could result in personal injury or damage to the product.



### CAUTION



After re-positioning the jumper and powering on the hood, the CFM cannot be changed again.

## Enabling ACT™

### To enable ACT™:

1. Before hood installation, gain access to PC board by following the steps shown on FIG. G.
2. Change plastic jumper positioning as shown in FIG. H to set the desired maximum blower CFM.
3. Re-install PC board and continue with hood installation.
4. Remove the appropriate foil CFM sticker included with the hood literature and place inside the hood body below the wiring diagram or in another clearly visible location.

### To verify if your installer enabled ACT™:

1. With hood off, hold the On/Off button for three seconds. The Display will show if ACT™ is disabled and set to the maximum CFM or if ACT™ is enabled and set to one of the restricted maximum CFM levels of 590, 390 or 290.
2. There should also be a foil label located inside the hood body near the wiring diagram that indicates the blower CFM.

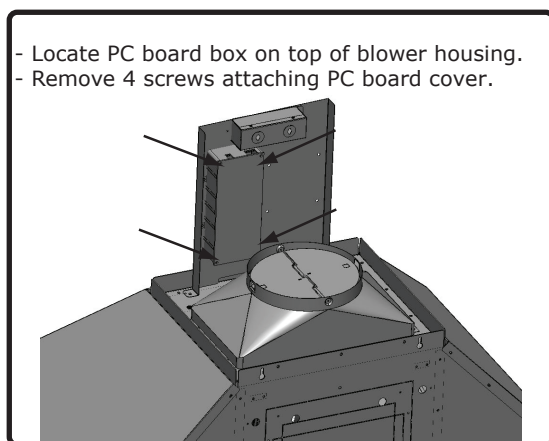


FIG. G

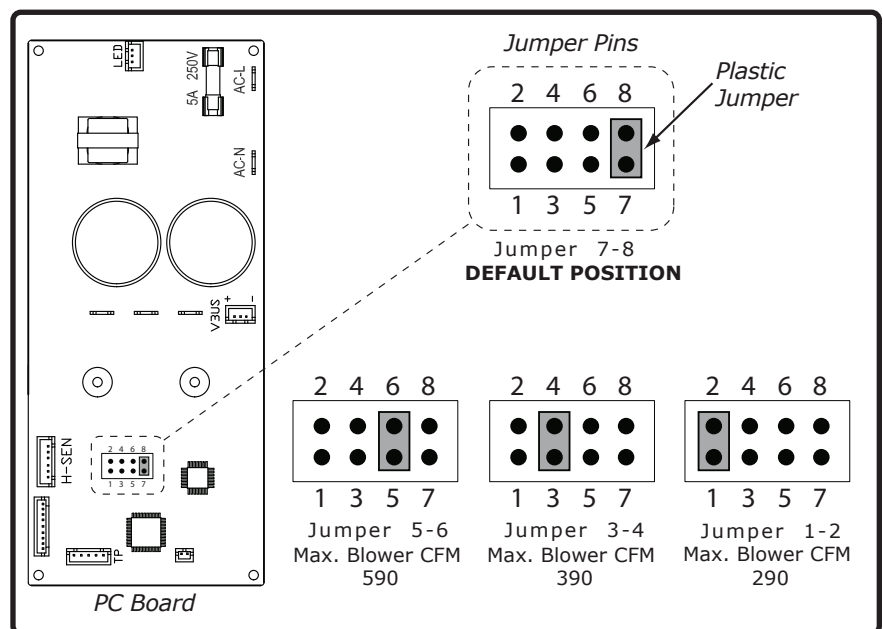
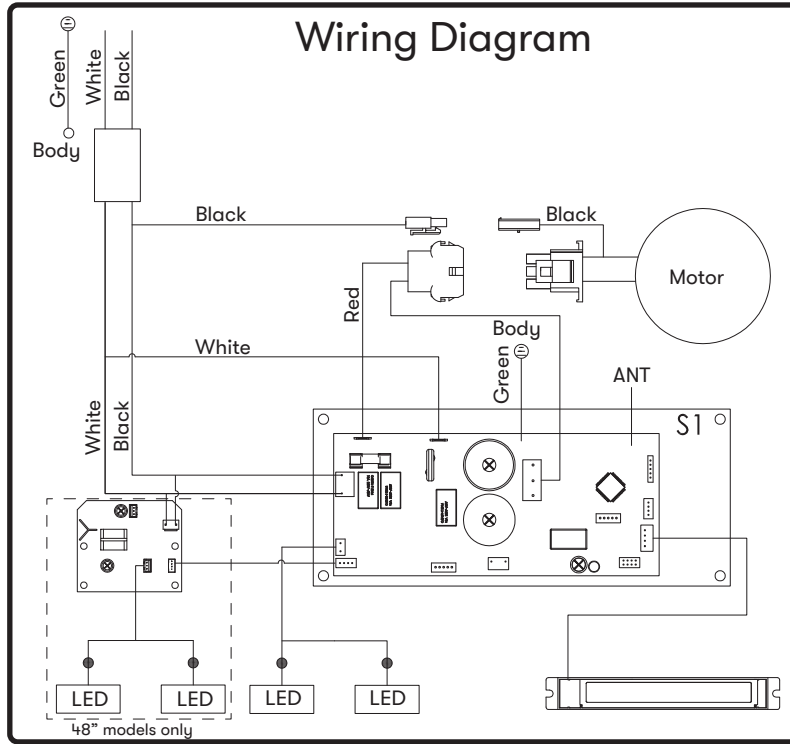


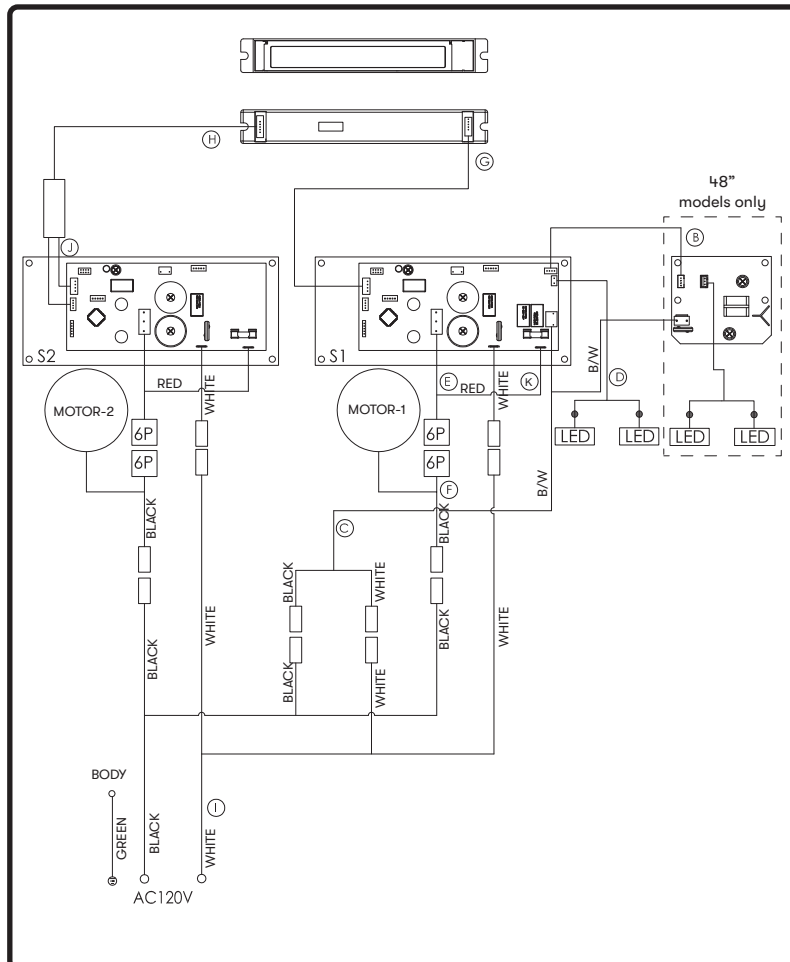
FIG. H



Single Blower



Dual Blower



- B. LED PCB wire
- C. Power wire for expansion PCB
- D. Power wire for expansion PCB
- E. Blower connection wire
- F. Blower connection wire
- G. Control connection wire
- H. Dual blower PCB to switch wire
- I. Power lead
- J. Dual blower connection wire
- K. Blower connection wire

# Troubleshooting

Possible Problem	Possible Cause	Solutions
After installation, the unit doesn't work.	The power source is not turned ON.	Make sure the circuit breaker and the unit's power is ON.
	The power line and the cable locking connector is not connecting properly.	Check the power connection with the unit is connected properly.
	The switch board or control board wirings are disconnected.	Make sure the wirings at the switch board and control board are connected properly.
	The switch board or control board is defective.	Change the switch board or control board.
Light works, but blower is not turning.	The wires on control board are loose.	Make sure the wires on the control board are connected properly.
	The blower wire is not connected.	Make sure the blower wire is plugged into the molex connector.
	The thermally protected system detects if the blower is too hot to operate and shuts the blower down.	The blower will function properly after the thermally protected system cool down.
	Damaged capacitor.	Change the capacitor.
The unit is vibrating.	The blower is defective, possibly seized.	Change the blower.
	The blower is not secured in place.	Tighten the blower in place.
	Damaged blower wheel.	Replace the blower.
The unit is whistling.	The hood is not secured in place.	Check the installation of the hood.
	A filter is not in the correct position.	Adjust the filters until the whistling stops.
	The duct pipe connections are not sealed or connected properly.	Check the duct pipe connections to be sure all connections are sealed properly.
The blower is working, but the LumiLight LEDs are not.	The LumiLight LED connector is disconnected.	Connect the LumiLight LED connector.
	Defective LumiLight LED.	Change the LumiLight LED.
	The switch board or control board is defective.	Change the switch board or control board.

Possible Problem	Possible Cause	Solutions
The hood is not venting out properly.	Using the wrong size of ducting.	Change the ducting to the correct size.
	The hood might be hanging too high from the cook top.	Adjust the distance between the cook top and the bottom of the hood within 24" and 34" range.
	The wind from the opened windows or opened doors in the surrounding area are affecting the ventilation of the hood.	Close all the windows and doors to eliminate the outside wind flow.
	Blockage in the duct opening or ductwork.	Remove all the blocking from the duct work or duct opening.
The unit turns on by itself.	Remote control may be paired incorrectly.	Resynchronize the remote control to connect to a different channel
Filter is vibrating.	Filter is loose.	Adjust or change the filter.
	Spring clip is broken on the filter.	Change the spring clip.
RF Remote control does not work.	Battery is dead.	Replace battery with type A23 12v.
	Poor communication with the hood.	Remote control must be within 15 ft of hood.
	RF Remote lost communication with the hood.	Reset hood and remote by switching power off at the circuit breaker for 5 minutes. Place remote on counter top near the hood and switch the circuit breaker back on.
	Blue antenna wire is not extended.	Extend the blue antenna wire behind the light panel.

# List of Parts & Accessories

PRO

ROMA PRO

WALL

Description	Part Number
<b>Replacement Parts</b>	
Swivel LumiLight LED, 6W	ZOB0052
Pro Baffle Filter (each)	50210033
<b>Optional Accessories</b>	
Dual Internal Blower	PBD-1300B
Make-up Air Kit (Single Blower)	MUA008A
Make-up Air Kit (Dual Blower)	MUA010A
RF Remote Control	14000005
Duct Cover Extension	Z1C-00RP

To order parts, visit us online at <http://store.zephyronline.com>.

**TO OBTAIN SERVICE UNDER WARRANTY OR FOR ANY SERVICE RELATED QUESTIONS****United States Customers please call: 1-888-880-8368 or contact us at: [zephyronline.com/contact](http://zephyronline.com/contact)****Canada Customers please call: 1-800-361-0799 or Email: [service@distinctive-online.com](mailto:service@distinctive-online.com)**

Zephyr Ventilation, LLC (referred to herein as “we” or “us”) warrants to the original consumer purchaser (referred to herein as “you” or “your”) of Zephyr products (the “Products”) that such Products will be free from defects in materials or workmanship as follows:

**Three Year Limited Warranty for Parts:** For three years from the date of your original purchase of the Products, we will provide, free of charge, Products or parts (including LED light bulbs, if applicable) to replace those that failed due to manufacturing defects subject to the exclusions and limitations below. We may choose, in our sole discretion, to repair or replace parts before we elect to replace the Products.

**One Year Limited Warranty for Labor:** For one year from the date of your original purchase of the Products, we will provide, free of charge, the labor cost associated with repairing the Products or parts to replace those that failed due to manufacturing defects subject to the exclusions and limitations below. After the first year from the date of your original purchase, you are responsible for all labor costs associated with this warranty.

**Warranty Exclusions:** This warranty covers only repair or replacement, at our option, of defective Products or parts and does not cover any other costs related to the Products including but not limited to: (a) normal maintenance and service required for the Products and consumable parts such as fluorescent, incandescent or halogen light bulbs, mesh and charcoal filters and fuses; (b) any Products or parts which have been subject to freight damage, misuse, negligence, accident, faulty installation or installation contrary to recommended installation instructions, improper maintenance or repair (other than by us); (c) commercial or government use of the Products or use otherwise inconsistent with its intended purpose; (d) natural wear of the finish of the Products or wear caused by improper maintenance, use of corrosive and abrasive cleaning products, pads, and oven cleaner products; (e) chips, dents or cracks caused by abuse or misuse of the Products; (f) service trips to your home to teach you how to use the Products; (g) damage to the Products caused by accident, fire, floods, acts of God; or (h) Custom installations or alterations that impact serviceability of the Products. If you are outside our service area, additional charges may apply for shipping costs for warranty repair at our designated service locations and for the travel cost to have a service technician come to your home to repair, remove or reinstall the Products. After the first year from the date of your original purchase, you are also responsible for all labor costs associated with this warranty. All Products must be installed by a qualified professional installer to be eligible for warranty repairs or service.

**Limitations of Warranty. OUR OBLIGATION TO REPAIR OR REPLACE, AT OUR OPTION, SHALL BE YOUR SOLE AND EXCLUSIVE REMEDY UNDER THIS WARRANTY. WE SHALL NOT BE LIABLE FOR INCIDENTAL, CONSEQUENTIAL OR SPECIAL DAMAGES ARISING OUT OF OR IN CONNECTION WITH THE USE OR PERFORMANCE OF THE PRODUCTS. THE EXPRESS WARRANTIES IN THE PRECEDING SECTION ARE EXCLUSIVE AND IN LIEU OF ALL OTHER EXPRESS WARRANTIES. WE HEREBY DISCLAIM AND EXCLUDE ALL OTHER EXPRESS WARRANTIES FOR THE PRODUCTS, AND DISCLAIM AND EXCLUDE ALL WARRANTIES IMPLIED BY LAW, INCLUDING THOSE OF MERCHANTABILITY AND FITNESS FOR A PARTICULAR PURPOSE.**

Some states or provinces do not allow limitations on the duration of an implied warranty or the exclusion or limitation of incidental or consequential damages, so the above limitations or exclusions may not apply to you. To the extent that applicable law prohibits the exclusion of implied warranties, the duration of any applicable implied warranty is limited to the same three-year and one-year periods described above if permitted by applicable law. Any oral or written description of the Products is for the sole purpose of identifying the Products and shall not be construed as an express warranty. Prior to using, implementing or permitting use of the Products, you shall determine the suitability of the Products for the intended use, and you shall assume all risk and liability whatsoever in connection with such determination. We reserve the right to use functionally equivalent refurbished or reconditioned parts or Products as warranty replacements or as part of warranty service. This warranty is not transferable from the original purchaser and only applies to the consumer residence where the Product was originally installed located in the United States and Canada. This warranty is not extended to resellers.

**To Obtain Service Under Limited Warranty:** To qualify for warranty service, you must: (a) notify us at the address or telephone number stated below within 60 days of the discovery of the defect; (b) give the model number and serial number; and (c) describe the nature of any defect in the Product or part. At the time of the request for warranty service, you must present evidence of your proof of purchase and proof of the original purchase date. If we determine that the warranty exclusions listed above apply or if you fail to provide the necessary documentation to obtain service, you will be responsible for all shipping, travel, labor and other costs related to the services. This warranty is not extended or restarted upon warranty repair or replacements.

Please check our website for any additional Product information, [www.zephyronline.com](http://www.zephyronline.com)

**Zephyr, 2277 Harbor Bay Parkway, Alameda, CA 94502**

Congratulations on the purchase of your Zephyr product! Please take a moment to register your new Zephyr product at [www.zephyronline.com/registration](http://www.zephyronline.com/registration)

## IT'S IMPORTANT

Prompt registration helps in more ways than one.

- Ensures warranty coverage should you need service.
- Ownership verification for insurance purposes.
- Notification of product changes or recalls.



Zephyr Ventilation | 2277 Harbor Bay Pkwy. | Alameda, CA 94502 | 1.888.880.8368

# ZEPHYR

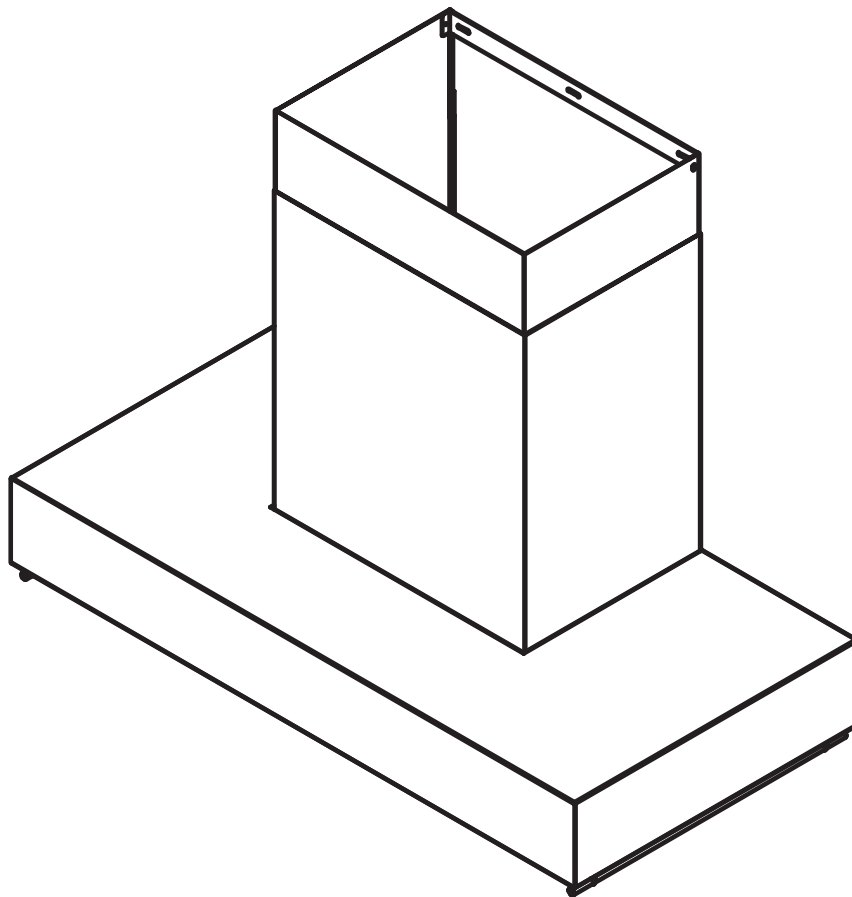
WWW.ZEPHYRONLINE.COM

## Roma Pro

ZRP-E36BS, ZRP-E48BS

EN Use, Care, and Installation Guide

FR Guide d'utilisation, d'entretien et d'installation



ACT<sup>™</sup>  
Airflow Control Technology

cUL<sup>®</sup> US LISTED





---

	Page
<b>Consignes de sécurité</b> .....	<b>4-6</b>
Types d'avertissements de sécurité .....	4
Sécurité générale.....	4-5
Opération .....	6
Exigences électriques .....	6
Déclaration d'interface de la Federal Communication Commission ...	6
<b>Liste de matériel</b> .....	<b>7</b>
<b>Instructions d'installation</b> .....	<b>8-16</b>
Feuille de calcul pour le conduit d'aération.....	8
Hauteur de montage, dégagement et gaine .....	9-10
Options de conduits .....	11
Spécifications de la hotte .....	12
Fourniture électrique .....	13
Raccord de câble .....	13
Montage de la hotte .....	14
Installation du double ventilateur PBD-1300B .....	15-16
<b>Fonctionnalités et commandes</b> .....	<b>17-20</b>
Commandes ACL électroniques.....	17-18
Télécommande RF en option.....	19-20
<b>Entretien</b> .....	<b>21-22</b>
Nettoyage de la hotte et du filtre.....	21-22
Swivel LumiLight LED .....	22
<b>Conversion ACT™</b> .....	<b>23-24</b>
Technologie de contrôle du débit d'air (ACT™) .....	23
Activer ACT™ .....	24
<b>Schéma de câblage</b> .....	<b>25</b>
<b>Dépannage</b> .....	<b>26-27</b>
<b>Liste des pièces et accessoires</b> .....	<b>28</b>
<b>Garantie limitée</b> .....	<b>29</b>
<b>Enregistrement du produit</b> .....	<b>30</b>

# Consignes de sécurité

## LISEZ ET CONSERVEZ CES INSTRUCTIONS

**Votre sécurité et celle des gens qui vous entourent sont très importantes.**

Ce manuel contient de nombreux messages de sécurité relatifs à votre appareil. Lisez tous les messages et conformez-vous-y en tout temps.



Voici le symbole d'alerte à la sécurité. Ce symbole vous informe de possibles dangers qui pourraient entraîner de graves lésions corporelles ou la mort. Tous les messages de sécurité suivent le symbole d'alerte à la sécurité et comportent les mots « **DANGER** », « **AVERTISSEMENT** » ou « **ATTENTION** ».

**DANGER**

Le mot « danger » signifie que le fait de ne pas tenir compte de l'énoncé de sécurité peut entraîner une blessure grave ou la mort.

**AVERTISSEMENT**

Le mot « avertissement » signifie que le fait de ne pas tenir compte de l'énoncé de sécurité peut entraîner des dommages importants au produit, une lésion corporelle grave ou la mort.

**ATTENTION**

Le mot « attention » signifie que le fait de ne pas tenir compte de l'énoncé de sécurité peut entraîner une lésion corporelle mineure ou modérée, ou encore des dommages au produit ou à la propriété.

### Sécurité générale

**ATTENTION**

Pour réduire le risque d'incendie ou de choc électrique, n'utilisez pas ce ventilateur avec un dispositif de commande à semi-conducteurs.

**AVERTISSEMENT**

AVERTISSEMENT - POUR RÉDUIRE LES RISQUES D'INCENDIE, DE CHOC ÉLECTRIQUE OU DE BLESSURES AUX PERSONNES, RESPECTEZ LES SUIVANTS:

- N'utilisez cet appareil que de la manière prévue par le fabricant. Si vous avez des questions, contactez le fabricant.
- Avant l'entretien ou le nettoyage de l'unité, coupez l'alimentation au panneau de service et verrouillez les moyens de déconnexion de service pour éviter toute mise sous tension accidentelle. Lorsque le moyen de déconnexion de service ne peut pas être verrouillé, fixez solidement un dispositif d'avertissement bien visible, tel qu'une étiquette, au panneau de service.

**ATTENTION**

Pour Une Ventilation Générale Uniquement. Ne Pas Utiliser Pour Évacuer Des Matières Et Des Vapeurs Dangereuses Ou Explosives. Soyez prudent lorsque vous utilisez des produits de nettoyage pour détergents. Convient pour une utilisation dans la zone de cuisson domestique.

**AVERTISSEMENT**

AVERTISSEMENT - POUR RÉDUIRE LE RISQUE D'INCENDIE DE GRAISSE SUR LE HAUT DE CUISINIÈRE:

- Ne laissez jamais les unités de surface sans surveillance à des réglages élevés. Les débordements provoquent de la fumée et des débordements graisseux qui peuvent s'enflammer. Chauffer les huiles lentement à des réglages faibles ou moyens.
- Allumez toujours la hotte lorsque vous cuisinez à feu vif ou lorsque vous flambez des aliments. (c'est-à-dire Crêpes Suzette, Cerises Jubilee, Boeuf au Poivre Flambé »).
- Nettoyez fréquemment les ventilateurs de ventilation. La graisse ne doit pas s'accumuler sur le ventilateur ou le filtre.
- Utilisez une taille de casserole appropriée. Utilisez toujours des ustensiles de cuisine adaptés à la taille de l'élément de surface.

## LISEZ ET CONSERVEZ CES INSTRUCTIONS



AVERTISSEMENT - POUR RÉDUIRE LE RISQUE DE BLESSURE DES PERSONNES EN CAS D'INCENDIE DE GRAISSE SUR LE HAUT DE LA CUISINIÈRE, RESPECTEZ CE QUI SUIT:

a) DES FLAMMES PLUS INTELLIGENTES avec un couvercle bien ajusté, une plaque à biscuits ou un plateau en métal, puis éteignez le brûleur. FAITES ATTENTION À ÉVITER LES BRÛLURES. Si les flammes ne s'éteignent pas immédiatement, ÉVACUER ET APPELER LE DÉPARTEMENT DES INCENDIES.

b) NE JAMAIS RAMASSER UNE PLAQUE ENFLAMME - Vous pourriez être brûlé.

c) N'UTILISEZ PAS D'EAU, ni de torchons ou de serviettes humides - une violente explosion de vapeur en résultera.

d) Utilisez un extincteur UNIQUEMENT si:

- 1) Vous savez que vous possédez un extincteur de classe ABC et vous savez déjà comment l'utiliser.
- 2) Le feu est petit et contenu dans la zone où il a commencé.
- 3) Le service d'incendie est appelé.
- 4) Vous pouvez combattre le feu dos à une sortie

\*Basé sur "Kitchen Firesafety Tips" publié par la NFPA.



AVERTISSEMENT  
POUR RÉDUIRE LES RISQUES D'INCENDIE, UTILISEZ  
UNIQUEMENT DES CONDUITS MÉTALLIQUES.



Pour réduire les risques d'incendie et pour évacuer correctement l'air extérieur, ne pas évacuer l'air évacué dans les espaces à l'intérieur des murs, plafonds, greniers, vides sanitaires ou garages.



AVERTISSEMENT - POUR RÉDUIRE LES RISQUES D'INCENDIE, DE DÉCHARGE ÉLECTRIQUE OU DE BLESSURES AUX PERSONNES, RESPECTEZ CE QUI SUIT:

a) Les travaux d'installation et le câblage électrique doivent être effectués par des personnes qualifiées conformément à tous les codes et normes applicables, y compris la construction résistant au feu.

b) Une quantité d'air suffisante est nécessaire pour une combustion et une évacuation correctes des gaz par le conduit de fumée (cheminée) de l'équipement à combustible pour empêcher le refoulement. Suivez les directives et les normes de sécurité du fabricant de l'équipement de chauffage, telles que celles publiées par la National Fire Protection Association (NFPA), l'American Society for Heating, Refrigeration and Air Conditioning Engineers (ASHRAE) et les autorités locales du code.

c) Lorsque vous coupez ou percez dans un mur ou un plafond, n'endommagez pas le câblage électrique et les autres services publics cachés.

d) Les ventilateurs à conduit doivent toujours être ventilés vers l'extérieur.

e) Si cet appareil doit être installé au-dessus d'une baignoire ou d'une douche, il doit être marqué comme approprié pour l'application et être connecté à un circuit de dérivation protégé par un disjoncteur de fuite à la terre (GFCI).



**Prop. 65 Avertissement pour les résidents de Californie:** Ce produit peut contenir des produits chimiques reconnus par l'État de Californie comme pouvant provoquer le cancer, des malformations congénitales ou d'autres troubles de la reproduction.

## LISEZ ET CONSERVEZ CES INSTRUCTIONS

### Opération

- ▶ Laissez toujours les grilles de sécurité et les filtres en place. Sans ces composants, les soufflantes en fonctionnement pourraient s'accrocher aux cheveux, aux doigts et aux vêtements amples.
- ▶ Le fabricant décline toute responsabilité en cas de non-respect des instructions données ici pour l'installation, la maintenance et l'utilisation appropriée du produit. Le fabricant décline en outre toute responsabilité en cas de blessure due à une négligence et la garantie de l'unité expire automatiquement en raison d'un mauvais entretien.

**REMARQUE:** veuillez consulter [www.zephyronline.com](http://www.zephyronline.com) pour les révisions avant d'effectuer tout travail personnalisé.

### Exigences électriques

#### Important:

- ▶ Respectez tous les codes et ordonnances en vigueur.
- ▶ Il est de la responsabilité du client d'en prendre connaissance ci-dessous:
- ▶ Pour contacter un installateur électrique qualifié.
- ▶ Pour garantir que l'installation électrique est adéquate et conforme au National Electrical Code, ANSI / NFPA 70 dernière édition \* ou aux normes CSA C22.1-94, Code canadien de l'électricité, partie 1 et C22.2 No.0-M91 - dernière édition \*\* et tous les codes et ordonnances locaux.
- ▶ Si les codes le permettent et qu'un fil de terre séparé est utilisé, il est recommandé qu'un électricien qualifié détermine que le chemin de terre est adéquat.
- ▶ Ne pas mettre à la terre un tuyau de gaz.
- ▶ Vérifiez auprès d'un électricien qualifié si vous n'êtes pas sûr que la hotte est correctement mise à la terre.
- ▶ Ne pas avoir de fusible dans le circuit neutre ou de terre.
- ▶ Cet appareil nécessite une alimentation électrique de 120 V à 60 Hz et est connecté à un circuit de dérivation individuel correctement mis à la terre protégé par un disjoncteur de 15 ou 20 ampères ou un fusible temporisé. Le câblage doit être à 2 fils avec mise à la terre. Veuillez également vous référer au schéma électrique du produit.
- ▶ Un connecteur de verrouillage de câble (non fourni) peut également être requis par les codes locaux. Vérifiez les exigences locales, achetez et installez le connecteur approprié si nécessaire.

\* National Fire Protection Association Batterymarch Park, Quincy, Massachusetts 02269

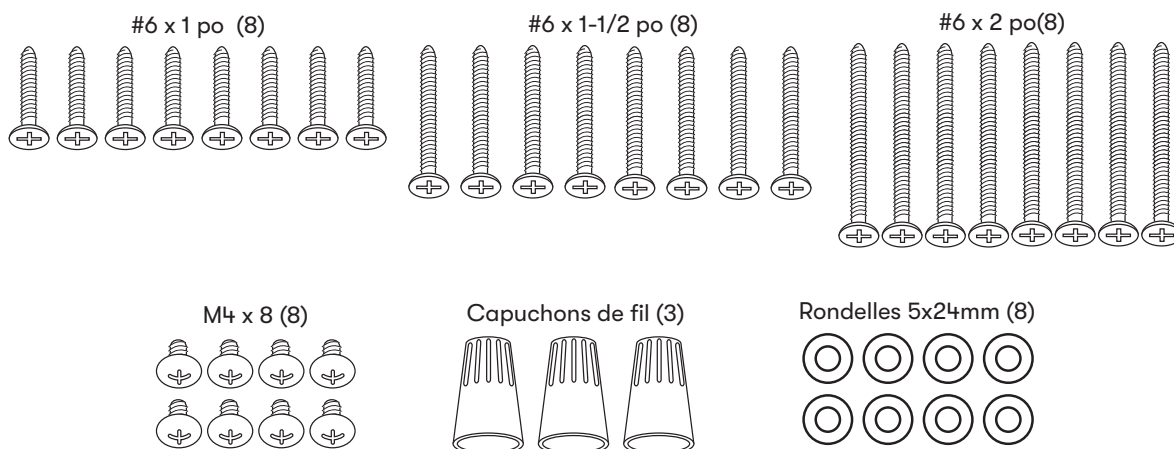
\*\* CSA International 8501 East Pleasant Valley Road, Cleveland, Ohio 44131-5575

### Déclaration d'interface de la Federal Communication Commission

- ▶ Cet équipement a été testé et déclaré conforme aux limites d'un appareil numérique de classe B, conformément à la partie 15 des règles FCC. Ces limites sont conçues pour fournir une protection raisonnable contre les interférences nuisibles dans une installation résidentielle.
- ▶ Cet équipement génère, utilise et peut émettre de l'énergie radiofréquence et, s'il n'est pas installé et utilisé conformément aux instructions, peut provoquer des interférences nuisibles aux communications radio. Cependant, il n'y a aucune garantie que des interférences ne se produiront pas dans une installation particulière. Si cet équipement cause des interférences nuisibles à la réception de la radio ou de la télévision, ce qui peut être déterminé en éteignant et en rallumant l'équipement, l'utilisateur est encouragé à essayer de corriger les interférences par l'une des mesures suivantes:
- ▶ Réorientez ou déplacez l'antenne de réception.
- ▶ Augmentez la séparation entre l'équipement et le récepteur.
- ▶ Connectez l'équipement à une prise sur un circuit différent de celui sur lequel le récepteur est connecté.
- ▶ Consultez le revendeur ou un technicien radio / TV expérimenté pour obtenir de l'aide.

## Pièces fournies

Quantité	Partie
1	Hotte
2	Cache-conduits, 1 supérieur et 1 inférieur
1	Support de couvercle de conduit
2	Filtres à chicane pro (3 pour les modèles 48 po)
2	LumiLight LED orientable, 6W (pré-installé) (4 pour les modèles 48 po)
1	Collier de départ rond de 8 po (pour conduit à un seul ventilateur)
1	Pack matériel

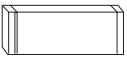

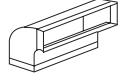

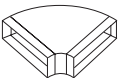
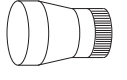
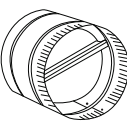




## Pièces non fournies

Conduits, conduits et tous les outils d'installation
Raccord de câble (si requis par les codes locaux)
Souffleur interne double (PBD-1300B)
Télécommande RF (14000005)
Rallonge de couvercle de conduit (Z1C-00RP)

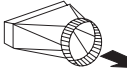
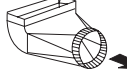
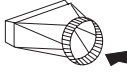
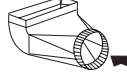
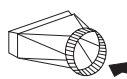
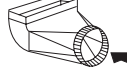
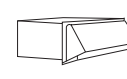
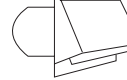

# Instructions d'installation

## Feuille de calcul pour le conduit d'aération

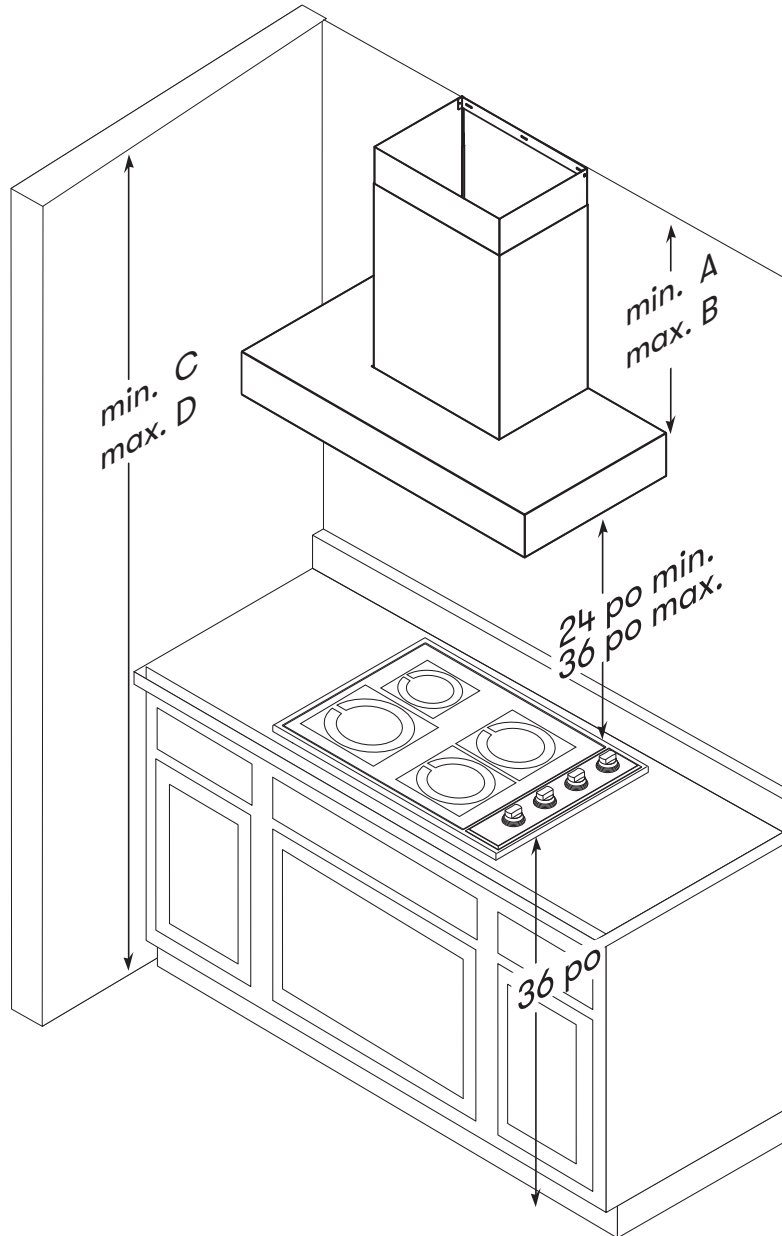
Pièces de conduit		Longueur x	Nombre utilisé	=	Total
	3-1/4" x 10" rect., droit	1 pi	x ( ) =		pi
	6", 7", 8", 10" circ., droit	1 pi	x ( ) =		pi
	3-1/4" x 10" rect., coude à 90°	15 pi	x ( ) =		pi
	3-1/4" x 10" rect., coude à 45°	9 pi	x ( ) =		pi
	3-1/4" x 10" rect., coude plat à 90°	24 pi	x ( ) =		pi
	7" to 6" or 8" to 7" circ. reducteur conique	25 pi	x ( ) =		pi
	6", 7", 8" circ. bouchone de l'air	15 pi	x ( ) =		pi
	6", 7", 8", 10" circ., coude à 90°	15 pi	x ( ) =		pi
	6", 7", 8", 10" coude à 45°	9 pi	x ( ) =		pi
Sous-total - colonne 1 =					pi

### Longueur maximale du conduit d'aération :

Pour un mouvement d'air convenable, la longueur totale d'un conduit d'aération ne devrait pas compter plus que l'équivalent de 150 pieds.

Pièces de conduit		Longueur x	Nombre utilisé	=	Total
	6" circ. à rect. de 3-1/4" x 10"	5 pi	x ( ) =		pi
	6" circ. à rect. de 3-1/4" x 10", coude à 90°	20 pi	x ( ) =		pi
	6" circ. à rect. de 3-1/4" x 10"	1 pi	x ( ) =		pi
	6" circ. à rect. de 3-1/4" x 10", coude à 90°	16 pi	x ( ) =		pi
	7" circ. à rect. de 3-1/4" x 10"	8 pi	x ( ) =		pi
	7" circ. à rect. de 3-1/4" x 10", coude à 90°	23 pi	x ( ) =		pi
	3-1/4" x 10" embout mural rect./registre	30 pi	x ( ) =		pi
	6", 7", 8", 10" embout mural circ./registre	30 pi	x ( ) =		pi
	6", 7", 8", 10" chapeau de toiture circ.	30 pi	x ( ) =		pi
Sous-total - colonne 2 =					pi
Sous-total - colonne 1 =					pi
Total du conduit =					pi

## Hauteur de montage, dégagement et gaine



<b>Hauteur de la hotte</b>	<b>Recouvrement de conduit standard</b>	<b>Prolongement de rec. de conduit</b>
min. avec conduit (A)	31-1/2 po	43 po
maximum (B)	51 po	79 po
<b>Hauteur de plafond</b>		
min. avec conduit (C)	91-1/2 po (7 pi 7-1/2 po)	103 po (8 pi 7 po)
maximum (D)	121 po (10 pi 1 po)	149 po (12 pi 5 po)

# Instructions d'installation

## Hauteur de montage, dégagement et gaine

Un conduit rond minimum de 8 po est recommandé pour maintenir une efficacité maximale du débit d'air pour un ventilateur simple et un conduit rond de 10 po pour un ventilateur interne double. Les deux options peuvent être canalisées verticalement ou horizontalement.

Utilisez toujours uniquement des conduits métalliques de type rigide. Les conduits flexibles peuvent restreindre le débit d'air jusqu'à 50%.

Utilisez également la feuille de calcul des gaines (à la page 8) pour calculer la longueur totale des gaines disponibles lorsque vous utilisez des coudes, des transitions et des capuchons.

**TOUJOURS**, lorsque cela est possible, réduire le nombre de transitions et de virages. Si un long trajet de conduit est requis, augmentez la taille du conduit.

Si des virages ou des transitions sont nécessaires; installer aussi loin que possible de la sortie du conduit de la hotte et aussi loin que possible entre les deux.

La hauteur minimale de montage entre le haut de la cuisinière et le bas de la hotte ne doit pas être inférieure à 24 po.

La hauteur de montage maximale ne doit pas dépasser 34 po.

Il est important d'installer la hotte à la bonne hauteur de montage. Les hottes montées trop bas peuvent entraîner des dommages causés par la chaleur et un risque d'incendie; tandis que les hottes montées trop haut seront difficiles à atteindre et perdront leurs performances et leur efficacité.


Si disponible, reportez-vous également aux exigences de dégagement en hauteur du fabricant de la cuisinière et à la hauteur de montage recommandée de la hotte au-dessus de la cuisinière. Vérifiez toujours vos codes locaux pour toute différence.

### **Pour les dommages liés à l'expédition et à l'installation:**

- ▶ Veuillez inspecter complètement l'unité pour déceler tout dommage avant l'installation.
- ▶ Si l'appareil est endommagé lors de l'expédition, renvoyez-le au magasin où il a été acheté pour réparation ou remplacement.
- ▶ Si l'appareil est endommagé par le client, la réparation ou le remplacement est à la charge du client.
- ▶ Si l'unité est endommagée par l'installateur (si autre que le client), la réparation ou le remplacement doit être effectuée par arrangement entre le client et l'installateur.



## Options de conduits

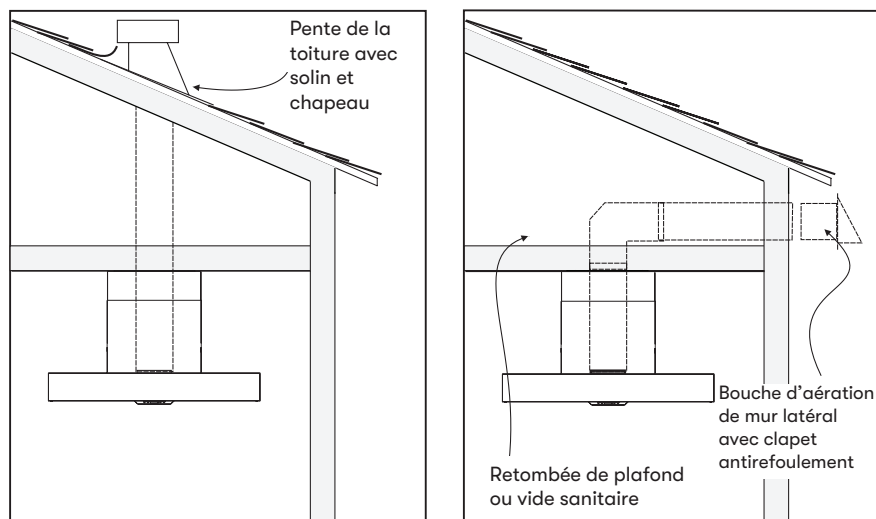


# ATTENTION

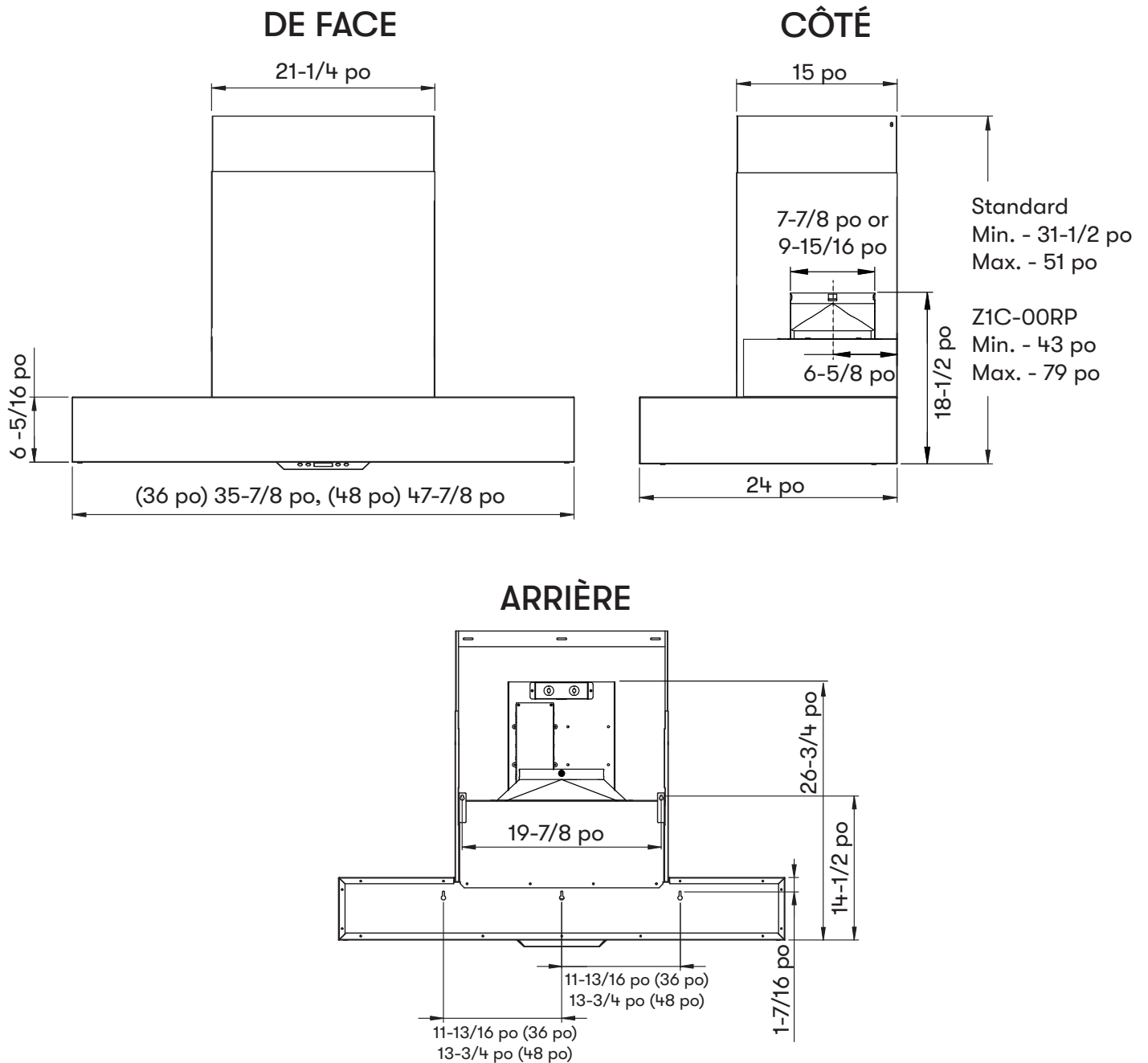


**Risque d'incendie:** NE JAMAIS évacuer l'air ni terminer de conduits dans des espaces entre les murs, les vides sanitaires, les plafonds, les greniers ou les garages. Tout l'échappement doit être canalisé vers l'extérieur, à moins d'utiliser l'option de recirculation.

- ▶ Utilisez uniquement des conduits métalliques rigides à paroi simple.
- ▶ Fixez toutes les connexions avec des vis à tôle et collez tous les joints avec du ruban argenté ou du ruban adhésif.



## Spécifications de la hotte



## Fourniture électrique

**ATTENTION**

Le câblage électrique doit être effectué par des personnes qualifiées conformément à tous les codes et normes applicables.  
Cette hotte doit être correctement mise à la terre. Coupez l'alimentation électrique à l'entrée de service avant le câblage.

Pour votre sécurité personnelle, retirez le fusible de la maison ou ouvrez le disjoncteur avant de commencer l'installation. N'utilisez pas de rallonge ni de fiche d'adaptateur avec cet appareil.

**Suivez les codes électriques nationaux ou les codes et règlements locaux en vigueur.**

Cet appareil nécessite une alimentation électrique de 120 V 60 Hz et est connecté à un circuit de dérivation individuel correctement mis à la terre, protégé par un disjoncteur de 15 ou 20 ampères ou un fusible temporisé. Le câblage doit être à 2 fils avec terre. Veuillez également vous référer au schéma électrique étiqueté sur le produit.

## Raccord de câble

Un connecteur de verrouillage de câble (non fourni) peut être requis par les codes locaux. Vérifiez les exigences et les codes locaux, achetez et installez le connecteur approprié si nécessaire. (FIG. A)

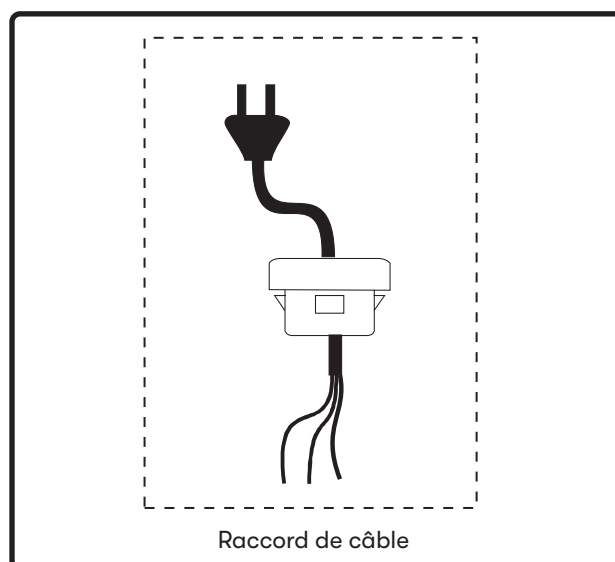


FIG. A

## Montage de la hotte

1. Mesurez du haut de la cuisinière au bas de la hotte et marquez la ligne A. (minimum de 24 po à partir du haut de la cuisinière).
2. Ligne médiane pruned et marquez. Marquez la ligne de hauteur de montage B (14-1/2 po à partir de la ligne A). Marquez la ligne de hauteur de montage C (4-7/8 po de la ligne A).
3. Marquer l'écart de montage de C/L sur les lignes B et C selon le schéma.
4. Fixez (2) vis 6# x 2 po dans les montants de la ligne B. Fixez (3) vis 6# x 2 po dans les montants de la ligne C. Ne serrez pas les vis complètement, laissez environ 3/8 po exposé.  
**REMARQUE:** Il peut être nécessaire d'ajouter des blocs de bois derrière la cloison sèche s'il n'y a pas de montants. Des ancrages muraux peuvent également être utilisés, mais vérifiez la conformité aux codes locaux. Le fait de ne pas utiliser des ancrages muraux et des vis appropriés pour supporter le poids de la hotte pourrait entraîner des blessures ou endommager la surface de cuisson ou le comptoir.
5. Installez le collier de conduit rond avec le clapet anti-retour sur le dessus ou l'arrière de la hotte à l'aide de (4) vis M4x8.

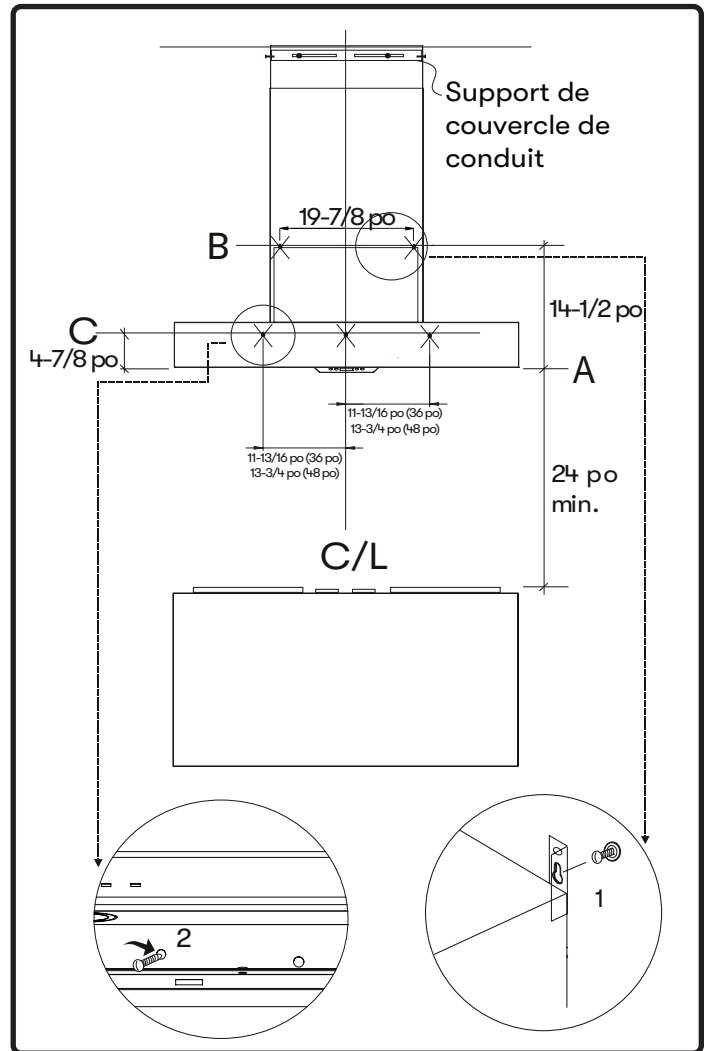
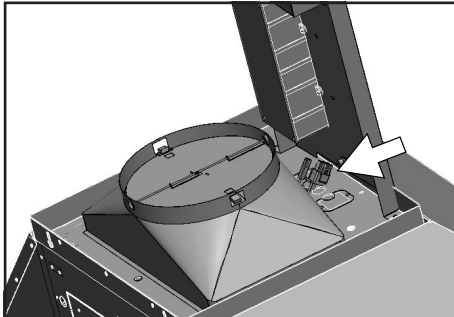


FIG. B

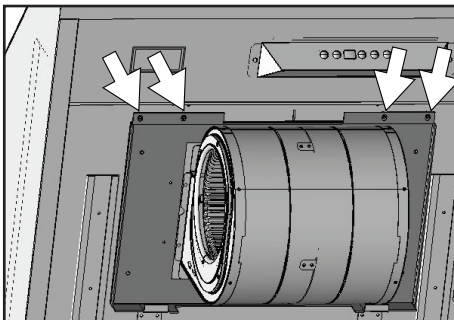
6. Accrochez la hotte aux vis fixées au mur et serrez. (FIG. B1)
7. Centrez et fixez le support du cache-conduit au mur sous le plafond ou le soffite à l'aide de (2) vis 6# x 1-1/2 po.
8. Préparer et brancher l'électricité et installer les conduits et le ruban adhésif. A
9. Illumez la hotte et vérifiez s'il y a des fuites autour du ruban adhésif.
10. Placez les couvercles de conduit télescopiques sur la hotte et étendez le couvercle de conduit intérieur (supérieur) vers le haut et fixez-le au support de couvercle de conduit à l'aide de (2) vis M4x8.

## Installation du double ventilateur PBD-1300B

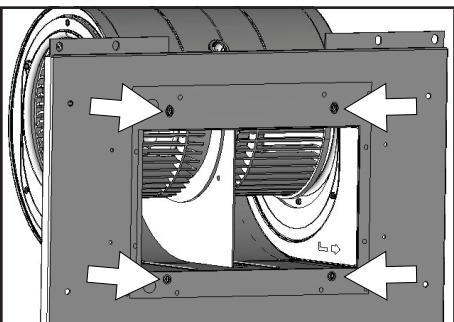
Cette hotte de cuisine est équipée de série d'une option de conduit vertical à un seul ventilateur. Pour passer d'un conduit vertical à un ventilateur à un conduit vertical à deux ventilateurs, veuillez suivre les instructions ci-dessous.



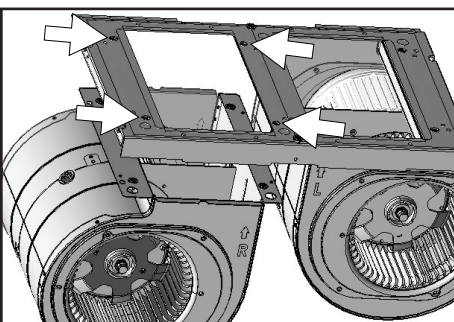
1. Débranchez la fiche du ventilateur et les câbles d'alimentation blanc et noir



2. Retirez les (4) vis de l'intérieur du corps de la hotte fixant la plaque du ventilateur unique au haut du corps de la hotte. Retirez le ventilateur simple et la plaque de ventilateur simple.

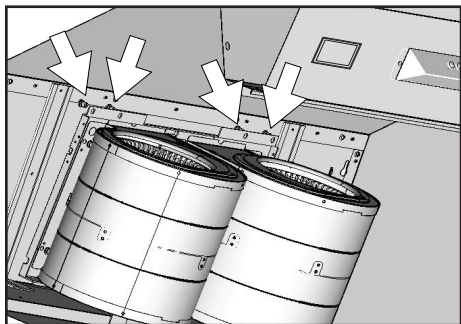


3. Retirez les (4) vis fixant le ventilateur simple à la plaque du ventilateur simple.

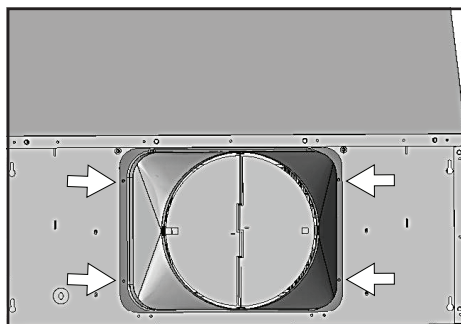


4. Fixez le ventilateur simple à la plaque du ventilateur double à l'aide des (4) vis précédemment retirées à l'étape 3.

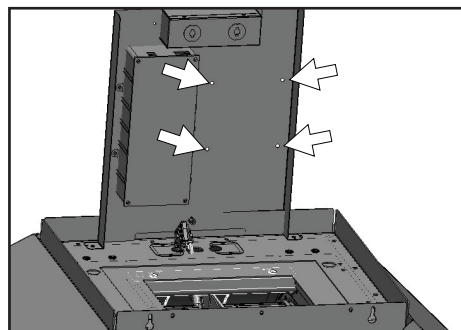
## Installation du double ventilateur PBD-1300B



5. Positionner le ventilateur double à l'intérieur du corps de la hotte comme illustré. Assurez-vous de bien insérer la plaque du ventilateur double dans les languettes de la plaque du ventilateur. Fixez le ventilateur double à l'aide des (4) vis précédemment retirées à l'étape 2.

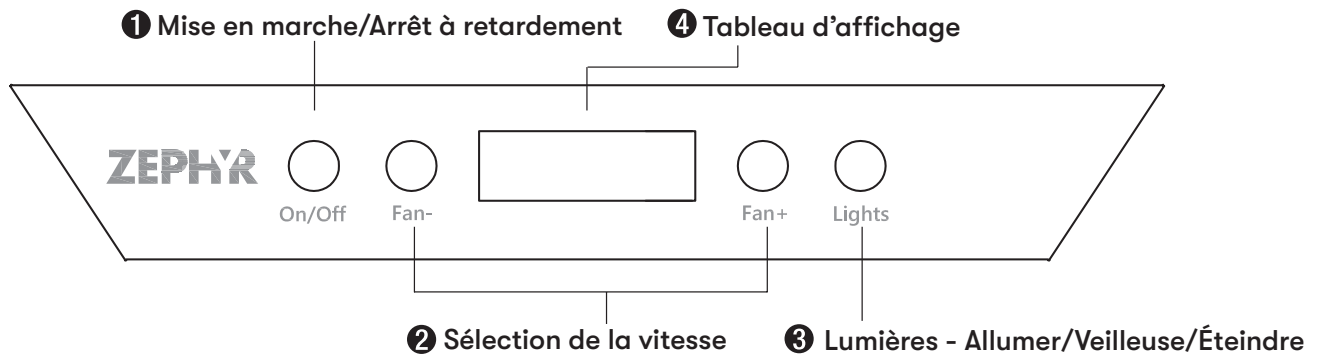


6. Fixez le collier de soufflage rond de 10 po au haut du corps de la hotte à l'aide de (4) vis M4x8.



7. Fixez la carte de circuits imprimés du ventilateur double au support électronique à l'aide de (4) vis. Reportez-vous au schéma de câblage à cette étape. Connectez le câblage du ventilateur double, y compris les deux fiches du ventilateur, le connecteur à 6 broches du câble du ventilateur (E), le câble de l'interrupteur du ventilateur double (H), le cordon d'alimentation noir à une broche du ventilateur double (K) et le cordon d'alimentation blanc à une broche (F) à la carte PCB du ventilateur double.

## Commandes ACL électroniques



### 1. Mise en marche/Arrêt à retardement

#### Fonction de mise en marche

La touche On/Off permet d'allumer et d'éteindre toutes les fonctions de la hotte (ventilateur et lumières). Lorsqu'elle est éteinte, la hotte garde en mémoire la dernière vitesse du ventilateur et le dernier réglage d'intensité des lumières.

#### Fonction d'arrêt automatique

Lorsque le ventilateur est en marche, appuyez sur la touche On/Off pendant trois secondes. Le ventilateur passe à la vitesse 1 et la minuterie de dix minutes de la fonction d'arrêt à retardement commence. Un compte à rebours s'affiche à l'écran pour indiquer le temps qu'il reste avant que le ventilateur et les lumières s'éteignent automatiquement. Si vous appuyez sur la touche On/Off pendant que la fonction d'arrêt à retardement est en marche, la hotte s'éteint et la fonction d'arrêt à retardement s'annule.

#### Vérification de l'ACT™

La technologie de contrôle du débit d'air (ACT) permet à l'installateur de configurer le nombre maximal de pi<sup>3</sup>/min de débit d'air de la hotte afin de respecter les codes et réglementations en vigueur.

Pour vérifier le débit d'air maximal en pi<sup>3</sup>/min :

Lorsque la hotte est éteinte, appuyez sur la touche On/Off pendant trois secondes. Le tableau d'affichage indique si la fonction ACT™ est désactivée et ajustée au nombre de pi<sup>3</sup>/min maximal ou si elle est activée et ajustée à l'un des niveaux minimaux de 590, 390 ou 290.

### 2. Sélection de la vitesse

Pour choisir l'une des six vitesses, appuyez sur Fan - pour diminuer la vitesse et sur Fan + pour l'augmenter. Le tableau d'affichage indique la vitesse sélectionnée.

#### Sélection de la vitesse avec la fonction ACT™ activée

Lorsque la fonction ACT™ est activée, le nombre de vitesses du ventilateur est réduit à un maximum de trois vitesses.

### 3. Lumières - Allumer/Veilleuse/Éteindre

Allumez les lumières en appuyant une fois sur la touche des lumières, appuyez une deuxième fois pour les mettre en veilleuse, et encore une fois pour les éteindre.

### 4. Tableau d'affichage

Le tableau d'affichage indique la vitesse sélectionnée ainsi que certaines fonctions, comme le rappel de nettoyage des filtres déflecteurs, l'arrêt à retardement et l'indicateur d'air pur.

#### Rappel de nettoyage des filtres

Après 30 heures d'utilisation, les mots « Clean grease filters » apparaissent sur le tableau d'affichage, indiquant qu'il est temps de nettoyer les filtres.

Pour réinitialiser la fonction : lorsque la hotte est éteinte, appuyez sur la touche Fan + pendant trois secondes, jusqu'à ce que les mots « Clean grease filters » disparaissent.

## Commandes ACL électroniques

### Air pur

La fonction d'air pur allume le ventilateur toutes les quatre heures pendant dix minutes pour chasser l'air stagnant de la cuisine.

Pour activer la fonction d'air pur:

Lorsque la hotte est éteinte, appuyez simultanément sur les touches Fan - et Fan + pendant trois secondes. Les mots « Clean Air Function Activated » apparaissent sur le tableau d'affichage et le ventilateur s'allume à la vitesse 1 pendant dix minutes. Après dix minutes, le ventilateur s'éteint et le compte à rebours de quatre heures commence.

Pour désactiver la fonction d'air pur :

Lorsque la hotte est éteinte, appuyez simultanément sur les touches Fan - et Fan + pendant trois secondes. Les mots « Clean Air Function Deactivated » apparaissent sur le tableau d'affichage, indiquant que la fonction a été désactivée.

Lorsque la fonction d'air pur est activée, le ventilateur s'allume à la vitesse 1 pendant dix minutes pour chaque période d'inutilisation de quatre heures. Après dix minutes, le ventilateur s'éteint et le compte à rebours de quatre heures commence.

Si l'utilisateur change la vitesse du ventilateur pendant que la fonction d'air pur est activée, la fonction s'éteint. Si l'utilisateur appuie sur la touche On/Off à tout moment, la minuterie de la fonction d'air pur se réinitialise.

### Jumelage de la commande à distance optionnelle

Pour créer un lien unique entre votre hotte et la commande à distance optionnelle, veuillez suivre les directives suivantes.

Lorsque la hotte est éteinte, appuyez simultanément sur la touche des lumières pendant trois secondes, jusqu'à ce que les mots « Remote pairing... » apparaissent sur le tableau d'affichage. Appuyez sur l'une ou l'autre des touches de la commande à distance. Les mots « Remote Paired » apparaissent alors à l'écran, indiquant le jumelage réussi de la commande à distance.



## Télécommande RF en option

Pour commander la télécommande RF, la référence est 14000005. Le fil d'antenne bleu doit être rallongé pour un signal optimal. Veuillez consulter la section, Montage de la hotte, pour les instructions.

### Attention FCC

Pour assurer la conformité continue, tout changement ou modification non expressément approuvé par la partie responsable de la conformité peut annuler le droit de l'utilisateur à utiliser cet équipement. (Exemple - utilisez uniquement des câbles d'interface blindés lors de la connexion à un ordinateur ou à un périphérique. Cet appareil est conforme à la partie 15 des règles FCC. Son fonctionnement est soumis aux deux conditions suivantes. (1) Cet appareil ne doit pas causer d'interférences nuisibles, et (2) Cet appareil doit accepter toute interférence reçue, y compris les interférences susceptibles de provoquer un fonctionnement indésirable.

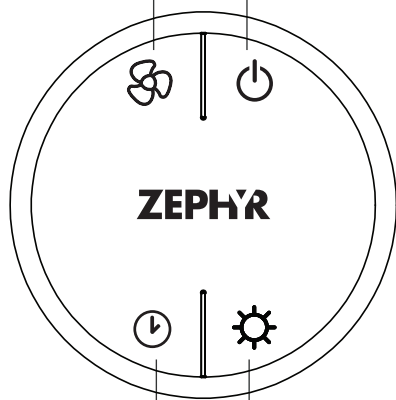
### Synchronisation

Pour créer un lien unique entre votre hotte et la télécommande, veuillez suivre ces étapes.

1. Lorsque la hotte est éteinte, appuyez sur le bouton Lumières de la hotte et maintenez-le enfoncé jusqu'à ce que les commandes affichent "Appairage à distance..."
2. Appuyez sur un bouton de la télécommande et la télécommande sera synchronisée avec la hotte. L'écran affichera "Remote Paired", ce qui indique que l'appairage est terminé.

## Fonctions de la télécommande RF

Ventilateur Marche/Choix de vitesses ①      Ventilateur Marche/Arrêt ②



Arrêt à retardement de 10 min. ③

Lumières Allumer/Veilleuse/Éteindre ④

### ① Ventilateur Allumer/Choix de vitesses

Appuyez sur pour mettre le ventilateur en marche et choisir l'une des six vitesses de fonctionnement.

### ② Ventilateur Marche/Arrêt

Appuyez sur pour allumer le ventilateur à la vitesse à laquelle il fonctionnait lorsque vous l'avez éteint. Appuyez de nouveau sur et toutes les fonctions de l'appareil s'éteignent, y compris les lumières.

### ③ Arrêt à retardement

En appuyant sur , le ventilateur et les lumières passeront en mode d'arrêt automatique. Le ventilateur passera à la vitesse 1 et un compte à rebours de 10 minutes commencera.

### ④ Lumières Allumer/Veilleuse/Éteindre

Basculez entre les niveaux d'éclairage en appuyant sur . Éteignez les lumières en parcourant les différents niveaux d'éclairage.

## Télécommande RF en option

### Caractéristiques de la télécommande RF

La télécommande RF est équipée d'un aimant à l'arrière pour un rangement facile. La télécommande peut être placée sur n'importe quelle surface magnétique telle qu'un réfrigérateur ou le support de télécommande Zephyr, FIG. C. Le support à distance peut être inséré dans une prise électrique standard pour un rangement facile. Remarque: le support de télécommande ne charge pas la télécommande RF.

La distance de communication maximale de la télécommande est de 15 pieds de la doublure.

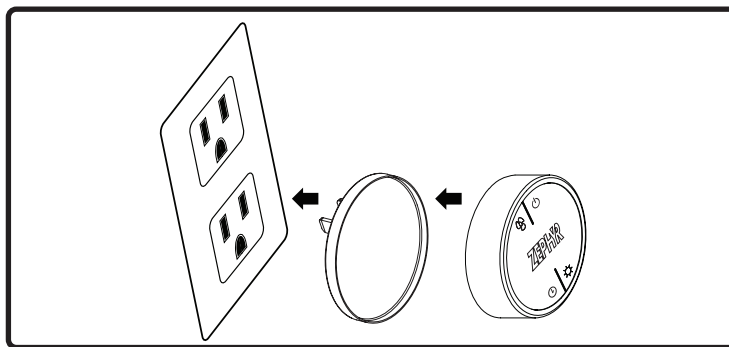


FIG. C

### Maintenance à distance RF

Nettoyez la télécommande avec des détergents non abrasifs.

Suivez les instructions ci-dessous pour remplacer la batterie. À l'aide d'un petit tournevis à tête plate, soulevez le couvercle du logement des piles (A) pour accéder au compartiment des piles. FIG. D.

Retirez la batterie et remplacez-la par une batterie de type A23 12V. L'extrémité négative de la pile doit faire face au ressort à l'intérieur de la télécommande.

Réinstallez le couvercle de la batterie et recyclez l'ancienne batterie.

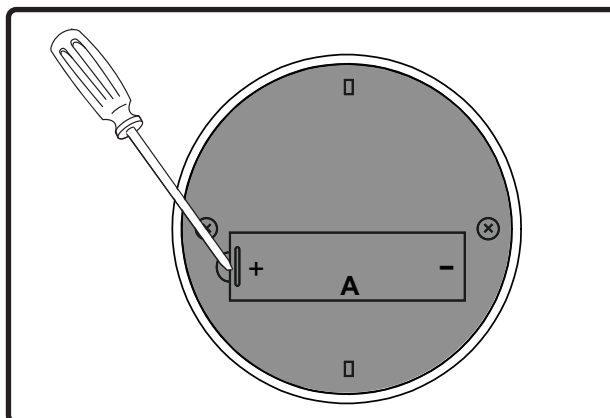


FIG. D

---

## Nettoyage de la hotte et du filtre

### Entretien de surface

- ▶ N'utilisez pas de détergents corrosifs, de détergents abrasifs ou de nettoyeurs pour four.
- ▶ N'utilisez aucun produit contenant un agent de blanchiment chloré ou un produit contenant du chlorure.
- ▶ N'utilisez pas de laine d'acier ou de tampons à récurer abrasifs qui pourraient rayer et endommager la surface.

### Nettoyage de l'acier inoxydable

Nettoyez périodiquement avec de l'eau chaude savonneuse et un chiffon en coton propre ou un chiffon en microfibres. Frottez toujours dans le sens du grain de l'acier inoxydable. Pour éliminer les accumulations de graisse plus lourdes, utilisez un détergent dégraissant liquide.

Après le nettoyage, utilisez un produit de polissage / nettoyant pour acier inoxydable non abrasif pour polir et polir le lustre et le grain de l'acier inoxydable. Frottez toujours légèrement avec un chiffon en coton propre ou en microfibres et polissez dans le sens du grain de l'acier inoxydable.

### Nettoyage des filtres déflecteurs

Les baf fl e fi ltres en acier inoxydable sont destinés à piéger les résidus et les graisses de cuisson. Bien que les filtres ne devraient jamais avoir besoin d'être remplacés, ils doivent être nettoyés tous les 30 jours ou plus souvent selon les habitudes de cuisson.

Les filtres peuvent être placés au lave-vaisselle à basse température ou trempés dans de l'eau chaude savonneuse. Sécher les filtres et les réinstaller avant d'utiliser la hotte.

## Retrait des filtres déflecteurs, FIG. E

1. Éloignez le filtre de l'avant de la hotte à l'aide des poignées.
2. Faites pivoter l'avant du filtre vers le bas.
3. Retirez le filtre en le tirant hors de la hotte.

## Remplacement des filtres déflecteurs

Modèle de hotte	Numéro d'article	Qté. commander
ZRP-E36BS	50210033	2
ZRP-E48BS	50210033	3

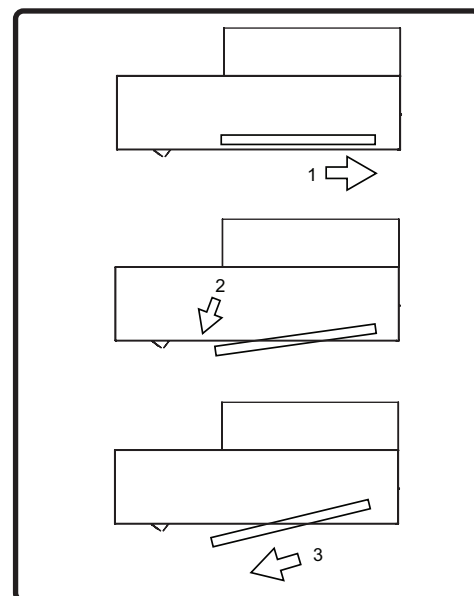


FIG. E

## Swivel LumiLight LED

Dans le cas peu probable où votre LED LumiLight pivotante tomberait en panne, veuillez contacter Zephyr pour commander des pièces de rechange. Voir la page de la liste des pièces et accessoires pour les numéros de pièces et les coordonnées.

## Retrait de la LED, FIG. F

1. Retirer les filtres à graisse.
2. (Le cas échéant) retirez les deux panneaux d'espacement latéraux pour chaque panneau d'espacement.
3. Retirez les vis du panneau lumineux. Débranchez le connecteur rapide de la lumière LED.
4. Retirez les (2) vis des côtés par lumière LED.
5. Poussez la lumière LED à travers l'ouverture du panneau lumineux.

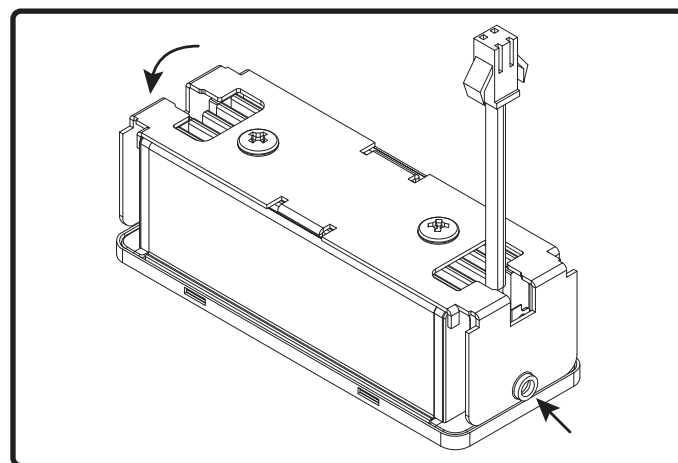


FIG. F

## Technologie de contrôle du débit d'air (ACT™)

Certains codes locaux limitent la quantité maximale de CFM qu'une hotte de cuisinière peut déplacer. ACT™ vous permet de contrôler le CFM maximum du ventilateur de certaines hottes de cuisinière Zephyr Ventilation sans avoir besoin de kits d'air d'appoint coûteux. ACT™ permet à l'installateur de régler facilement la vitesse maximale du ventilateur à l'un des trois niveaux CFM les plus couramment spécifiés; 590, 390 ou 290 CFM. L'utilisation d'ACT™ peut ne pas être nécessaire pour votre installation. Veuillez vérifier vos codes locaux pour les restrictions CFM.

ACT™ n'est pas disponible avec l'option de ventilateur interne double de 1300 CFM.



### **AVERTISSEMENT**



La hotte doit être débranchée de l'alimentation principale avant d'effectuer les instructions de conversion répertoriées ci-dessous. Ne pas le faire peut entraîner des blessures ou endommager le produit.



### **AVERTISSEMENT**



Après avoir repositionné le cavalier et mis le capot sous tension, le CFM ne peut plus être changé.

## Activer ACT™

### Pour activer ACT™:

1. Avant l'installation de la hotte, accédez au tableau de circuits imprimés en suivant les étapes illustrées à la FIG. J.
2. Changez le positionnement du cavalier en plastique comme illustré à la FIG. K pour régler le CFM maximum souhaité du ventilateur.
3. Réinstallez la carte de circuit imprimé et poursuivez l'installation de la hotte.
4. Retirez l'autocollant CFM en aluminium approprié inclus avec la documentation de la hotte et placez-le à l'intérieur du corps de la hotte sous le schéma de câblage ou à un autre endroit clairement visible.

### Pour vérifier si votre installateur a activé ACT™:

1. Avec le capot éteint, maintenez le bouton Marche / Arrêt enfoncé pendant trois secondes. L'écran affichera si ACT™ est désactivé et réglé sur le CFM maximum ou si ACT™ est activé et réglé sur l'un des niveaux maximum de CFM restreints de 590, 390 ou 290.
2. Il devrait également y avoir une étiquette en aluminium située à l'intérieur du corps de la hotte près du schéma de câblage qui indique le CFM du ventilateur.

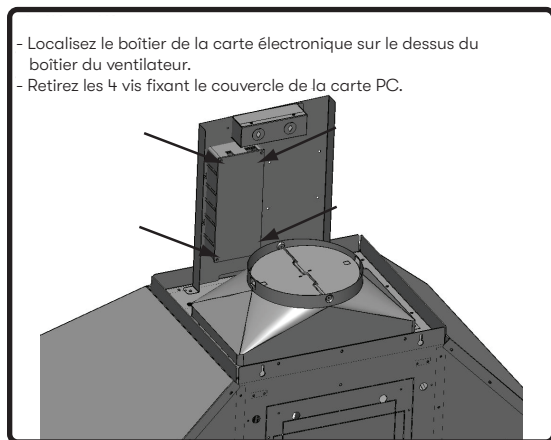


FIG. G

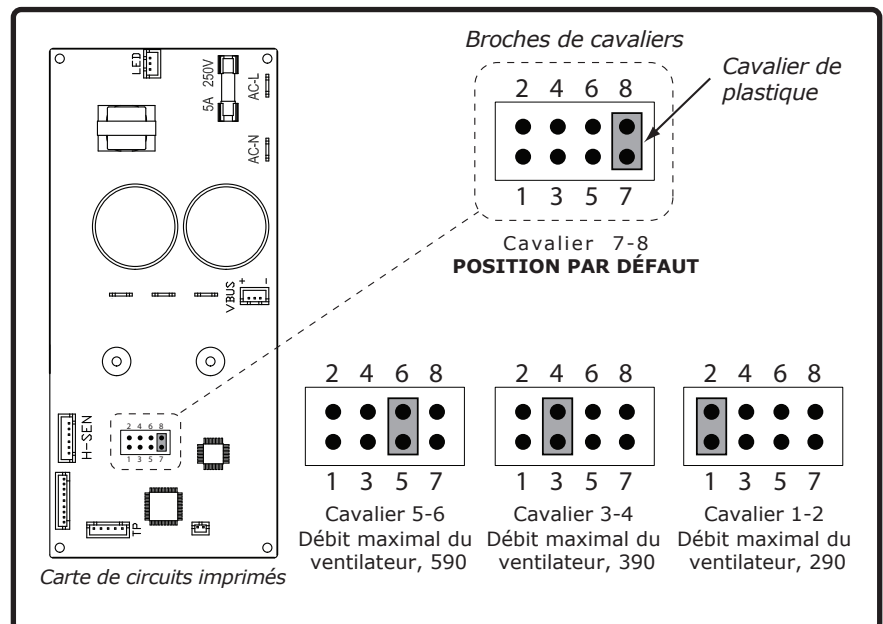
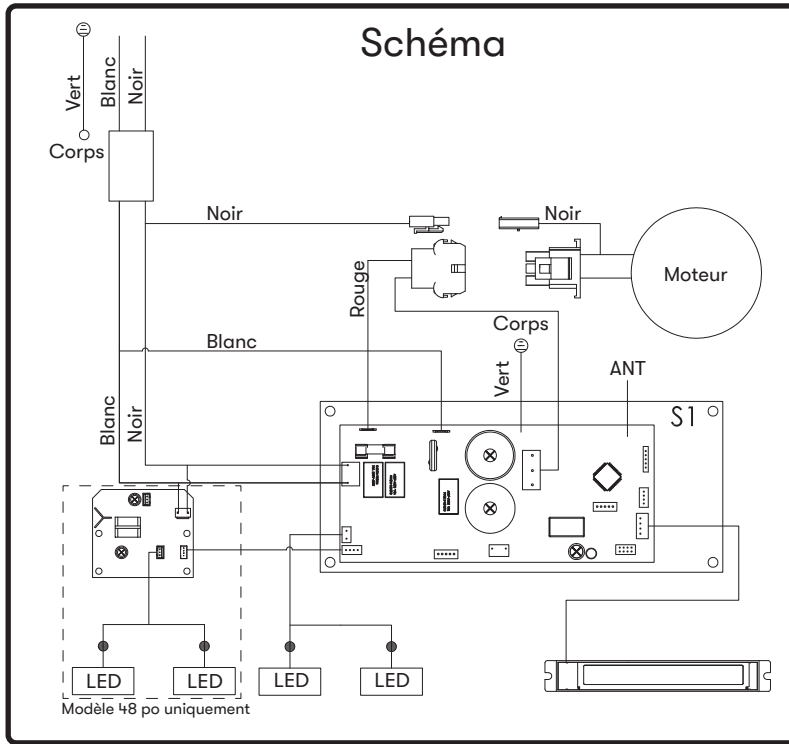
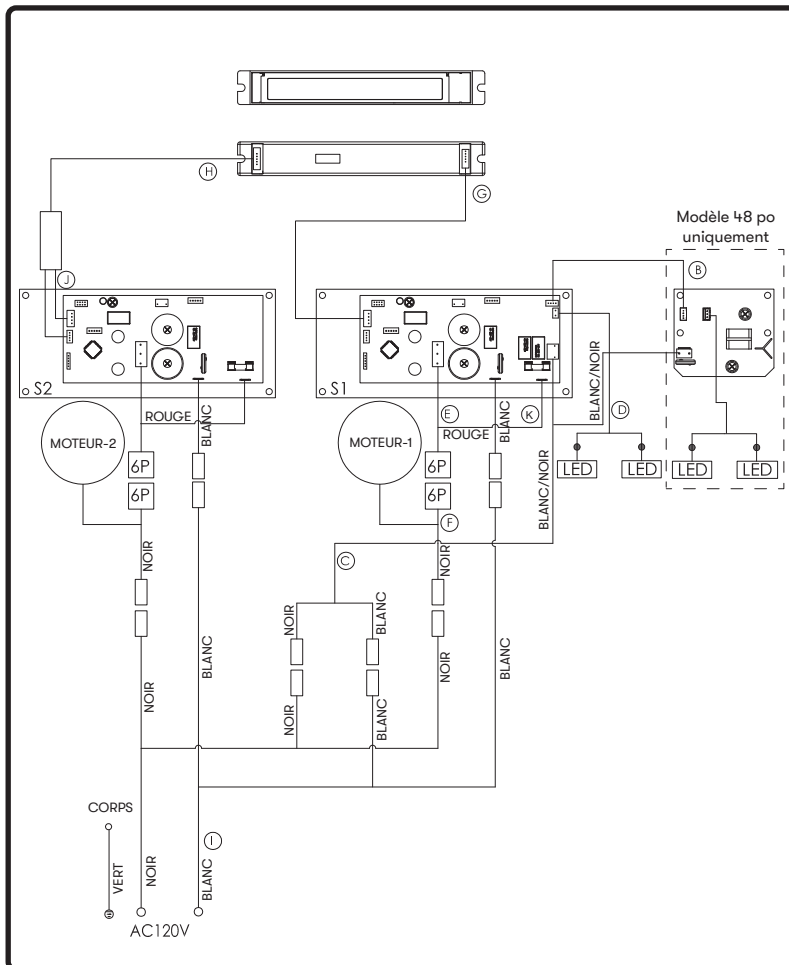


FIG. H

Souffleur simple



Double ventilateur



- B. Fil de circuit imprimé LED
- C. Câble d'alimentation pour PCB d'extension
- D. Câble d'alimentation pour PCB d'extension
- E. Fil de connexion du ventilateur
- F. Fil de connexion du ventilateur
- G. Fil de connexion de contrôle
- H. Circuit imprimé à double ventilateur pour passer le fil
- I. Cordon d'alimentation
- J. Fil de connexion du double ventilateur
- K. Fil de connexion du ventilateur

Problème possible	Cause possible	Solutions
Après l'installation, l'appareil ne fonctionne pas.	La source d'alimentation n'est pas allumée.	Assurez-vous que le disjoncteur et l'appareil sont sous tension.
	La ligne d'alimentation et le connecteur de verrouillage du câble ne se connectent pas correctement.	Vérifiez que la connexion électrique avec l'appareil est correctement connectée.
	Les câblages du tableau de commande ou du tableau de commande sont déconnectés.	Assurez-vous que les câbles du tableau de commande et du tableau de commande sont correctement connectés.
	Le tableau de commande ou le tableau de commande est défectueux.	Changer le tableau de commande ou le tableau de commande.
	Les fils du tableau de commande sont desserrés.	Assurez-vous que les fils de la carte de commande sont correctement connectés.
La lumière fonctionne, mais le ventilateur ne tourne pas.	Le fil du ventilateur n'est pas connecté.	Assurez-vous que le fil du ventilateur est branché sur le connecteur mox.
	Le système thermiquement protégé détecte si le ventilateur est trop chaud pour fonctionner et arrête le ventilateur.	Le ventilateur fonctionnera correctement après le refroidissement du système thermiquement protégé.
	Condensateur endommagé.	Changez le condensateur.
	Le ventilateur est défectueux, éventuellement grippé.	Changer le ventilateur.
L'unité vibre.	Le ventilateur n'est pas fixé en place.	Serrez le ventilateur en place.
	Roue de soufflante endommagée.	Remplacez le ventilateur.
	Le capot n'est pas fixé en place.	Vérifiez l'installation de la hotte.
L'unité siffle.	Un filtre n'est pas dans la bonne position.	Ajustez les filtres jusqu'à ce que le sifflement s'arrête.
	Les raccords des tuyaux de conduit ne sont pas scellés ou correctement connectés.	Vérifiez les connexions des tuyaux de conduit pour vous assurer que toutes les connexions sont correctement scellées.
Le ventilateur fonctionne, mais les LED LumiLight ne le sont pas.	Le connecteur LED LumiLight est déconnecté.	Branchez le connecteur LED LumiLight.
	LED LumiLight défectueuse.	Changez la LED LumiLight.
	Le tableau de commande ou le tableau de commande est défectueux.	Changer le tableau de commande ou le tableau de commande.



Problème possible	Cause possible	Solutions
La hotte ne s'échappe pas correctement.	Utilisation de la mauvaise taille de conduit.	Changer le conduit à la bonne taille.
	La hotte est peut-être suspendue trop haut de la table de cuisson.	Ajustez la distance entre la plaque de cuisson et le bas de la hotte dans les limites de 24 po et 34 po.
	Le vent provenant des fenêtres ouvertes ou des portes ouvertes dans la zone environnante affecte la ventilation de la hotte.	Fermez toutes les fenêtres et portes pour éliminer le vent extérieur.
	Obstruction dans l'ouverture du conduit ou dans les conduits.	Retirez tout le blocage du conduit ou de l'ouverture du conduit.
L'unité s'allume d'elle-même.	La télécommande n'est peut-être pas couplée correctement.	Resynchronisez la télécommande pour vous connecter à un autre canal
Le filtre vibre	Le filtre est lâche.	Ajustez ou changez le filtre.
	Le clip à ressort est cassé sur le filtre.	Changer le clip à ressort.
La télécommande RF ne fonctionne pas.	La batterie est morte.	Remplacez la batterie par un type A23 12v.
	Mauvaise communication avec la hotte.	La télécommande doit être à moins de 15 pieds de la hotte.
	La télécommande RF a perdu la communication avec la hotte.	Réinitialisez la hotte et la télécommande en coupant l'alimentation au disjoncteur pendant 5 minutes. Placez la télécommande sur le comptoir près de la hotte et rallumez le disjoncteur.
	Le fil d'antenne bleu n'est pas prolongé.	Prolongez le fil d'antenne bleu derrière le panneau lumineux.

La description	Numéro d'article
<b>Pièces de rechange</b>	
Swivel LumiLight LED, 6W	ZOB0052
Filtre Baffle Pro (chacun)	50210033
<b>Accessoires optionnels</b>	
Double ventilateur interne	PBD-1300B
Kit d'air d'appoint (ventilateur simple)	MUA008A
Kit d'air d'appoint (double ventilateur)	MUA010A
Télécommande RF	14000005
Rallonge de couvercle de conduit	Z1C-00RP

Pour commander des pièces, visitez-nous en ligne à <http://store.zephyronline.com>.

**POUR OBTENIR UN SERVICE SOUS GARANTIE OU POUR TOUTES QUESTIONS LIÉES AU SERVICE****Les clients des États-Unis doivent appeler le: 1-888-880-8368 ou nous contacter à: [zephyronline.com/contact](http://zephyronline.com/contact)****Clients du Canada, veuillez appeler: 1-800-361-0799 ou par courriel: [service@distinctive-online.com](mailto:service@distinctive-online.com)**

Zephyr Ventilation, LLC (désigné aux présentes sous le nom de « nous ») garantit au premier acheteur (désigné aux présentes sous le nom de « vous » ou « votre ») de produits Zephyr (les « Produits ») que lesdits produits sont exempts de défauts de fabrication ou de main-d'œuvre selon les conditions suivantes :

**Garantie de trois ans sur les pièces :** Garantie de trois ans à partir de la date d'achat originale du Produit. Nous fournirons sans frais les Produits ou les pièces (y compris les ampoules LED, le cas échéant) de remplacement qui comportaient des défauts de fabrication. Nous pourrions choisir, à notre seule discrétion, de réparer ou de remplacer des pièces avant de prendre la décision de remplacer le Produit.

**Garantie limitée d'un an sur la main-d'œuvre :** Garantie d'un an à partir de la date d'achat originale du Produit. Nous couvrirons sans frais les frais de main-d'œuvre afférents à la réparation du Produit ou des pièces de remplacement qui comportaient des défauts de fabrication. Un an après la date d'achat originale, vous serez responsable de tous les frais de main-d'œuvre associés à la présente garantie.

**Exclusions de la garantie :** Cette garantie ne couvre que la réparation ou le remplacement, à notre gré, de pièces ou de Produits défectueux et ne couvre aucun autre coût afférent aux Produits, dont, sans s'y limiter, les frais liés : (a) à l'entretien normal des Produits et au remplacement des pièces consommables, comme les fluorescent, incandescence ou halogèneampoules, les filtres métalliques, les filtres à charbon et les fusibles; (b) à tout Produit ou pièce ayant été endommagé durant le transport ou étant le résultat d'un mauvais usage, d'une négligence, d'un accident, d'une installation incorrecte ou ne respectant pas les notices d'installation recommandées, d'un entretien ou d'une réparation inapproprié (dont ne nous sommes pas responsables); (c) à une utilisation commerciale ou ne correspondant pas à l'utilisation pour laquelle les Produits sont conçus; (d) à l'usure naturelle du fini, à l'usure due à un entretien inadéquat, à l'utilisation de produits nettoyants corrosifs ou abrasifs, de tampons nettoyeurs et de produits de nettoyage pour le four; (e) aux éclats, entailles ou fissures résultant d'un abus ou d'une mauvaise utilisation du Produit; (f) aux déplacements d'un technicien de service à votre domicile pour vous montrer comment utiliser les Produits; (g) aux dommages causés par un accident, un incendie, une inondation, un cas fortuit; ou (h) Les installations personnalisées ou modifications qui ont un impact sur la maintenabilité du Produit. Si vous vous trouvez à l'extérieur du territoire que nous desservons, des frais supplémentaires pourraient s'appliquer pour la livraison des produits à nos points de service désignés pour une réparation sous garantie ou vous pourriez avoir à déboursier les frais de déplacement du technicien à votre domicile pour que le Produit soit réparé, enlevé ou réinstallé. Un an après la date d'achat originale du Produit, vous êtes également responsable de tous les frais de main-d'œuvre associés à la présente garantie.

**Restrictions de la garantie. NOTRE OBLIGATION DE RÉPARER OU DE REMPLACER, À NOTRE GRÉ, LE PRODUIT CONSTITUE VOTRE SEUL ET UNIQUE RECOURS SOUS LA PRÉSENTE GARANTIE. NOUS NE NOUS PORTONS PAS RESPONSABLES POUR TOUT DOMMAGE INDIRECT, ACCESSOIRE OU PARTICULIER RÉSULTANT OU AYANT UN LIEN AVEC L'UTILISATION OU LE RENDEMENT DES PRODUITS. LES GARANTIES EXPRESSES DE LA SECTION PRÉCÉDENTE SONT EXCLUSIVES ET TIENNENT LIEU DE TOUTE AUTRE GARANTIE EXPRESSE. PAR LES PRÉSENTES, NOUS REJETONS ET EXCLUONS TOUTE AUTRE GARANTIE EXPRESSE POUR LES PRODUITS ET TOUTES LES GARANTIES TACITES PRÉVUES PAR LA LOI, DONT CELLES RELATIVES À LA QUALITÉ MARCHANDE OU À L'ADÉQUATION DU PRODUIT POUR UNE UTILISATION PARTICULIÈRE.** Certains États ou provinces n'autorisent pas les restrictions sur la durée d'une garantie implicite ou l'exclusion ou la restriction des dommages indirects ou accessoires; par conséquent, les exclusions et restrictions mentionnées ci-dessus pourraient ne pas s'appliquer à votre cas. Dans la mesure où une loi applicable interdit l'exclusion de garanties implicites, la durée de toute garantie implicite applicable se limite à la période de deux ans décrite ci-dessus. L'unique objectif de toute description orale ou écrite est de présenter les Produits et celle-ci ne devrait pas être interprétée comme une garantie expresse. Avant d'utiliser ou de permettre l'utilisation des Produits, vous devrez déterminer si les Produits conviennent aux utilisations prévues et vous devrez assumer tout risque et toute responsabilité relatifs à ces utilisations. Nous nous réservons le droit d'utiliser des pièces reconstruites ou remises à neuf pour remplacer l'une des fonctionnalités dans le cadre de la présente garantie ou de l'une des parties de la présente garantie. L'acheteur original ne peut transférer la présente garantie et celle-ci n'est valide qu'aux États-Unis et au Canada.

**Pour obtenir du service sous la garantie :** Pour avoir droit à du service sous garantie, vous devez : (a) nous avertir en utilisant l'adresse ou le numéro de téléphone inscrit ci-dessous dans les soixante jours suivant la détection du défaut; (b) donner le numéro du modèle, le numéro d'identification de la pièce ainsi que le numéro de série; et (c) décrire la nature de tout défaut de la pièce ou du Produit. Au moment de faire la demande de service sous garantie, vous devrez présenter votre preuve d'achat et la preuve de la date d'achat originale. Si nous déterminons que les exclusions de la garantie énumérées ci-dessus s'appliquent ou si vous vous trouvez dans l'incapacité de nous fournir la documentation nécessaire pour obtenir du service, vous serez responsable de tous les frais d'expédition, de déplacement, de main-d'œuvre ou de tout autre coût afférent au service.

Veuillez consulter notre site Web au [www.zephyronline.com](http://www.zephyronline.com) pour savoir si des révisions ont été apportées à la garantie.

**Zephyr, 2277 Harbor Bay Parkway, Alameda, CA 94502**

Nous vous félicitons d'avoir acheté un produit Zephyr. Veuillez prendre un moment pour enregistrer votre nouveau produit au [www.zephyronline.com/registration](http://www.zephyronline.com/registration)

## C'EST IMPORTANT

Cet enregistrement rapide est utile à bien des égards.

- Il assure la couverture de votre garantie si vous avez besoin de service après-vente.
- À des fins d'assurance, il permet de confirmer que vous êtes le propriétaire.
- Il vous permet de recevoir des avis concernant des modifications ou des rappels de produits.



Zephyr Ventilation | 2277 Harbor Bay Pkwy. | Alameda, CA 94502 | 1.888.880.8368