

**PRODUCT SPECIFICATIONS**

Elkay Avado<sup>®</sup> Single Hole 2-in-1 Kitchen Faucet with Filtered Drinking Water. Faucet has a flow rate of 1.5 GPM, and is made of Brass material, with a Ceramic Disc valve. Faucet requires 1 faucet holes.

|                                |  |
|--------------------------------|--|
| <b>Mounting Type:</b>          | Deck Mount   |
| <b>Spray Type:</b>             | Pull Down  |
| <b>Finish:</b>                 | Chrome (CR), Lustrous Steel (LS), Matte Black (MB) |
| <b>Handle Type:</b>            | Lever Handle                                       |
| <b>Deck Clearance:</b>         | 9-13/16"   |
| <b>Spout Reach:</b>            | 8-3/4"   |
| <b>Spout Height:</b>           | 17-1/8"  |
| <b>Hole Drillings:</b>         | 1  |
| <b>Material:</b>               | Brass  |
| <b>Valve Type:</b>             | Ceramic Disc                                       |
| <b>Valve Connection:</b>       | 1/2"-14 NPSM                                       |
| <b>Flow Rate:</b>              | 1.5 GPM  |
| <b>Faucet Hole Size (min):</b> | 1-3/8"   |
| <b>Countertop Thickness:</b>   | 2-1/2"   |
| <b>Spout Type:</b>             | Pull-down Spray                                    |
| <b>Spray Functions:</b>        | Aerated  |



| Faucet Part Number | Finish         |
|--------------------|----------------|
| 2000000331         | Chrome         |
| 2000000332         | Lustrous Steel |
| 2000000346         | Matte Black    |



**Included with Product:** Faucet with Filter ERF750 and Deck Plate / Escutcheon LK134

A Century of Tradition and Quality. For more than 100 years, Elkay has been making innovative products and providing exceptional customer care. We take pride in offering plumbing products that make life easier, inspire change and leave the world a better place.

**Product Compliance:** ADA & ICC A117.1  
ASME A112.18.1/CSA B125.1  
CEC  
NSF 61 (Q≤1)  
NSF 372 (lead free)

**Accessory:** NSF 42  
NSF 53  
NSF 401



Complies with ADA & ICC A117.1 accessibility requirements when installed according to the requirements outlined in these standards.

[Clean and Care Manual \(PDF\)](#)  
[Installation Instructions \(PDF\) - 2000000348](#)  
[Warranty \(PDF\)](#)

PART: \_\_\_\_\_ QTY: \_\_\_\_\_

PROJECT: \_\_\_\_\_

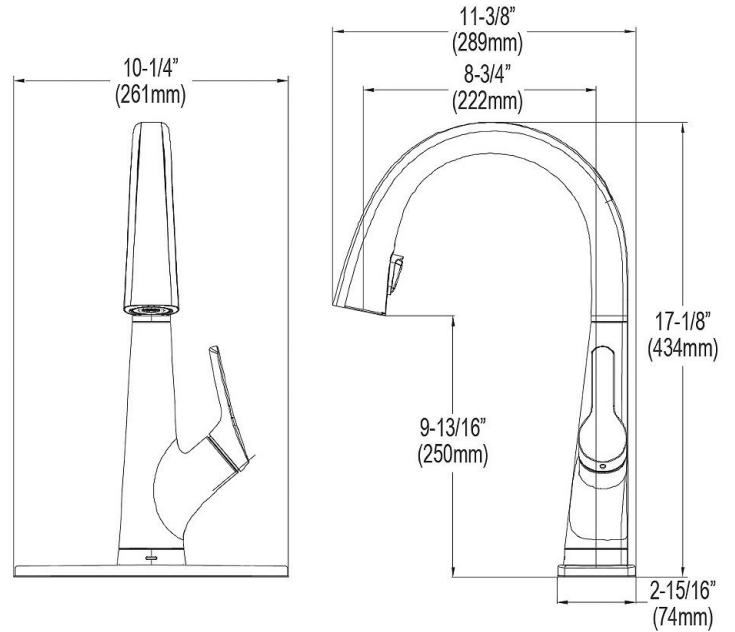
CONTACT: \_\_\_\_\_


DATE: \_\_\_\_\_

NOTES: \_\_\_\_\_

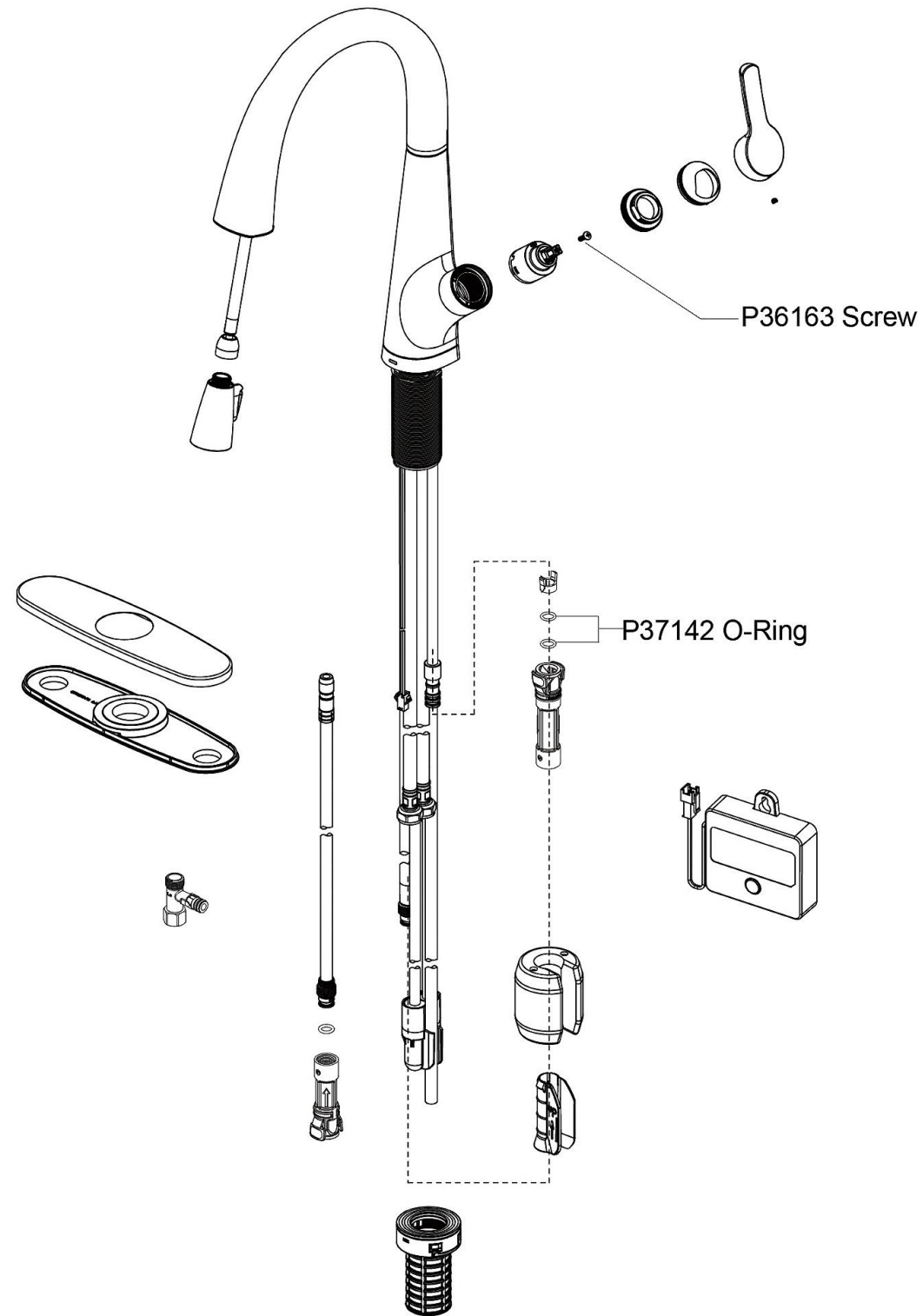
APPROVAL: \_\_\_\_\_

*In keeping with our policy of continuing product improvement, Elkay reserves the right to change product specifications without notice. Please visit [elkay.com](http://elkay.com) for the most current version of Elkay product specification sheets. This specification describes an Elkay product with design, quality, and functional benefits to the user. When making a comparison of other producers' offerings, be certain these features are not overlooked.*



| Included Accessories   |  |  |
|------------------------|--|--|
| <a href="#">ERF750</a> | Elkay <sup>®</sup> 750-gallon Residential Replacement Filter<br><a href="#">Spec Sheet (PDF)</a> |  |

*In keeping with our policy of continuing product improvement, Elkay reserves the right to change product specifications without notice. Please visit [elkay.com](http://elkay.com) for the most current version of Elkay product specification sheets. This specification describes an Elkay product with design, quality, and functional benefits to the user. When making a comparison of other producers' offerings, be certain these features are not overlooked.*



*In keeping with our policy of continuing product improvement, Elkay reserves the right to change product specifications without notice. Please visit [elkay.com](http://elkay.com) for the most current version of Elkay product specification sheets. This specification describes an Elkay product with design, quality, and functional benefits to the user. When making a comparison of other producers' offerings, be certain these features are not overlooked.*