

LEVANTE N (Serial # Starts 0 or A)

body components

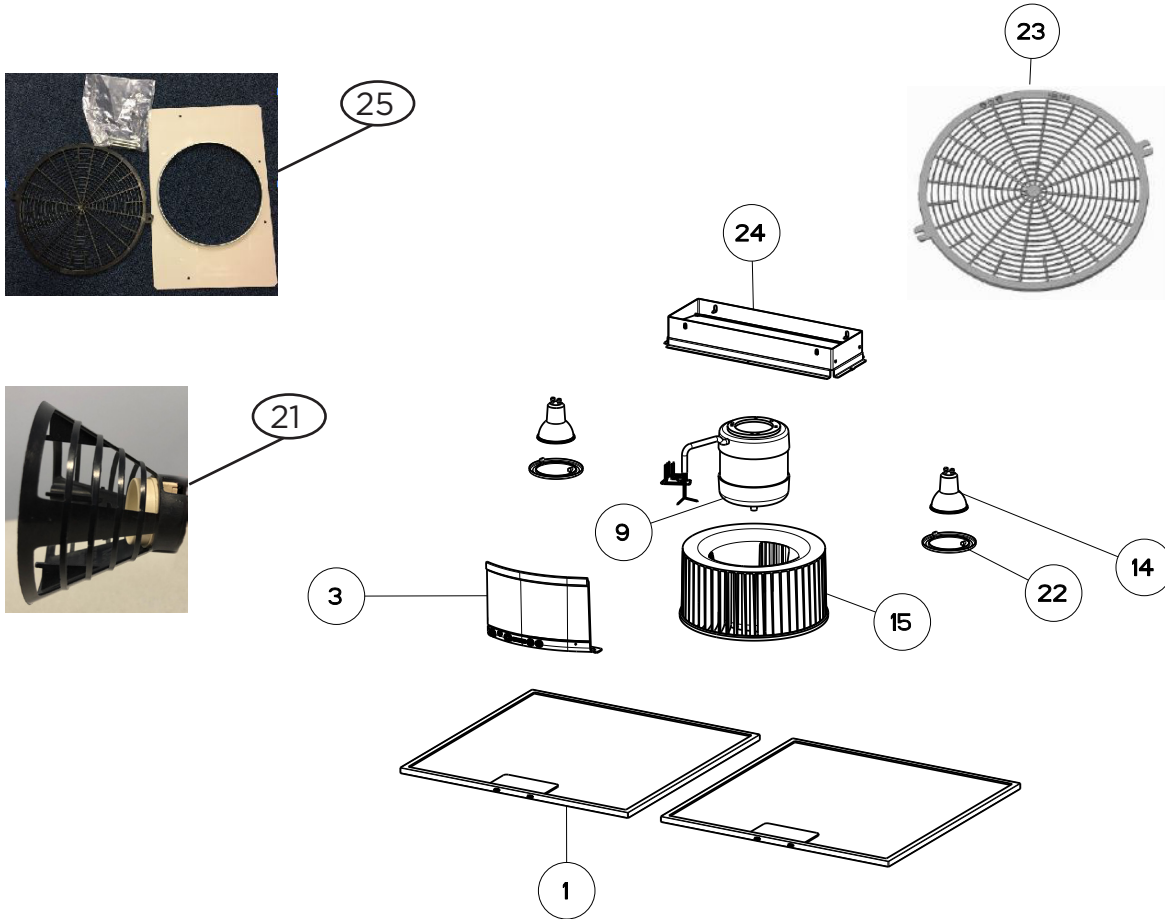
Look for the following identifiers:



Control with Grey Buttons



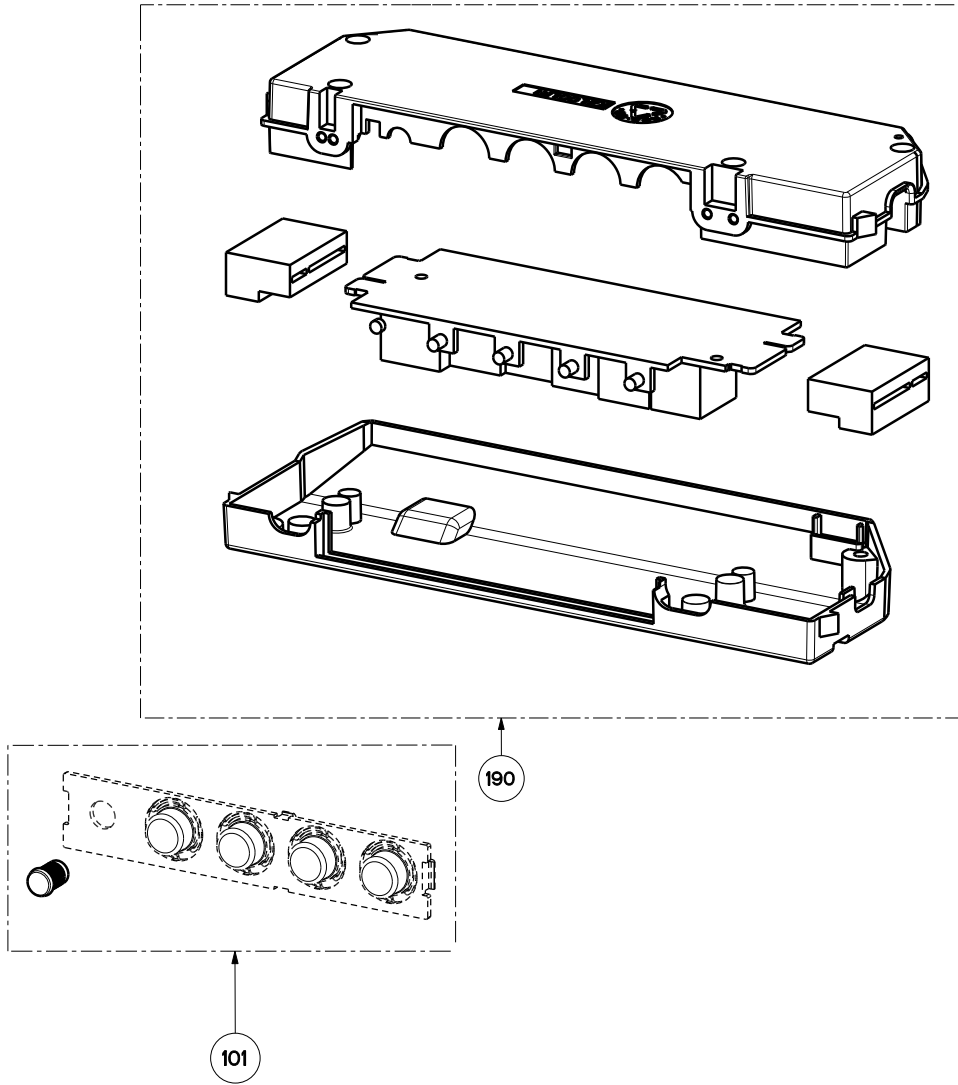
Halogen GU10



	Model Number	LEVN24SS300	LEVN30SS300	LEVN36SS300	
Key	Description	24	30	36	Qty Req.
1	Grease Filter	133.0380.473	133.0380.474	133.0380.476	2
3	Motor Plate Air Deflector	133.0486.877	133.0486.877	133.0486.877	1
9	Motor	133.0380.477	133.0380.477	133.0380.477	1
14	Halogen Lamp 35W GU10	133.0380.488	133.0380.488	133.0380.488	2
15	Impeller	133.0380.490	133.0380.490	133.0380.490	1
21	Lampholder with Cage	133.0456.670	133.0456.670	133.0456.670	2
22	Spotlight Ring	133.0380.508	133.0380.508	133.0380.508	2
23	Motor Protection Grid	133.0435.565	133.0435.565	133.0435.565	1
24	Damper (Rectangular)	133.0391.292	133.0391.292	133.0391.292	1
25	Hardware Kit	133.0000.002	133.0000.002	133.0000.002	1

LEVANTE N (Serial # Starts 0 or A)

switch components



	Model Number	LEVN24SS300	LEVN30SS300	LEVN36SS300	
Key	Description	White	Black	Stainless	Qty Req.
5	Levante 1 Control Button Kit	133.0602.831	133.0602.831	133.0602.831	1
199	Levante 1 Control Board Kit	133.0157.449	133.0157.449	133.0157.449	1