

The logo features the word "Kraus" in a white, serif font on a black background. The letter "K" is stylized with three horizontal lines passing through its vertical stem. The letter "ä" has two small white dots above it. A registered trademark symbol (®) is located to the upper right of the "s".

Kraus®

INSTALLATION MANUAL

Nola™ Single Lever Concealed Pull Down Kitchen Faucet

KPF-1660

Thank you for your purchase

We would like to take this opportunity to thank you for choosing Kraus. We hope that you are completely satisfied with your purchase, and enjoy it for years to come. If you have any questions, or require technical assistance, please contact us at 800-775-0703 and one of our representatives will be happy to help.

For more information about Kraus products, please visit:

www.kraususa.com

In order to activate your warranty and receive the full benefit of customer support, please register your new Kraus product at:

www.kraususa.com/registration

Sincerely,

Kraus USA Customer Service

Prior to Installation:

- Make sure you have all necessary parts by checking the diagram and parts list. If any part is missing or damaged, please contact Kraus Customer Service at 800-775-0703 for a replacement
- Turn off the hot and cold water supply at the angle stops and turn on the old faucet to release any built up pressure. Remove existing faucet. Clean sink or countertop to remove any debris, plumber's putty, or silicone
- Place bucket under angle stops. Turn on to flush any debris prior to installing new plumbing. Shut off angle stops
- Pre-drilled hole size requirement: 1-3/8"
- Max countertop thickness without deck plate: 1-3/8"

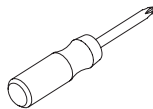
Tools you will need



Adjustable Wrench



Bucket

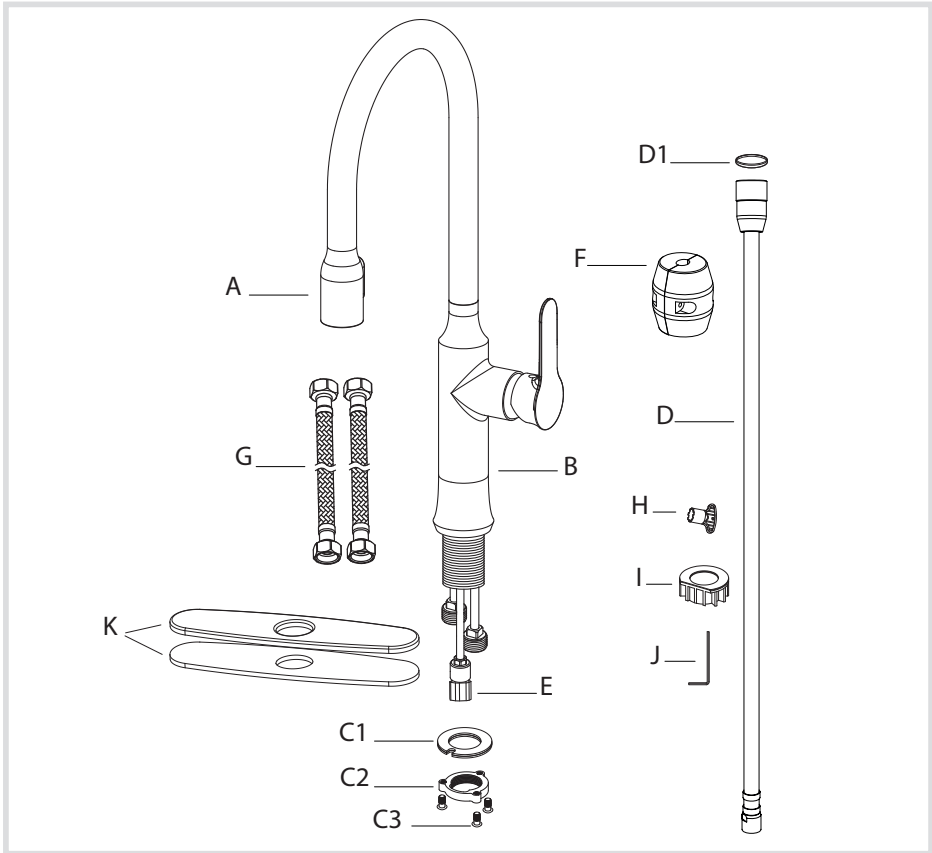


Phillips Screwdriver



Safety Goggles

Diagram and Parts List



A. Spray Head

B. Faucet Body

C. Mounting Hardware

C1. Rubber & Metal Washer

C2. Mounting Nut

C3. Mounting Screws

D. Supply Hose

D1. Supply Hose Washer

E. Check Valve Connector

F. Weight

G. Hot & Cold Waterlines

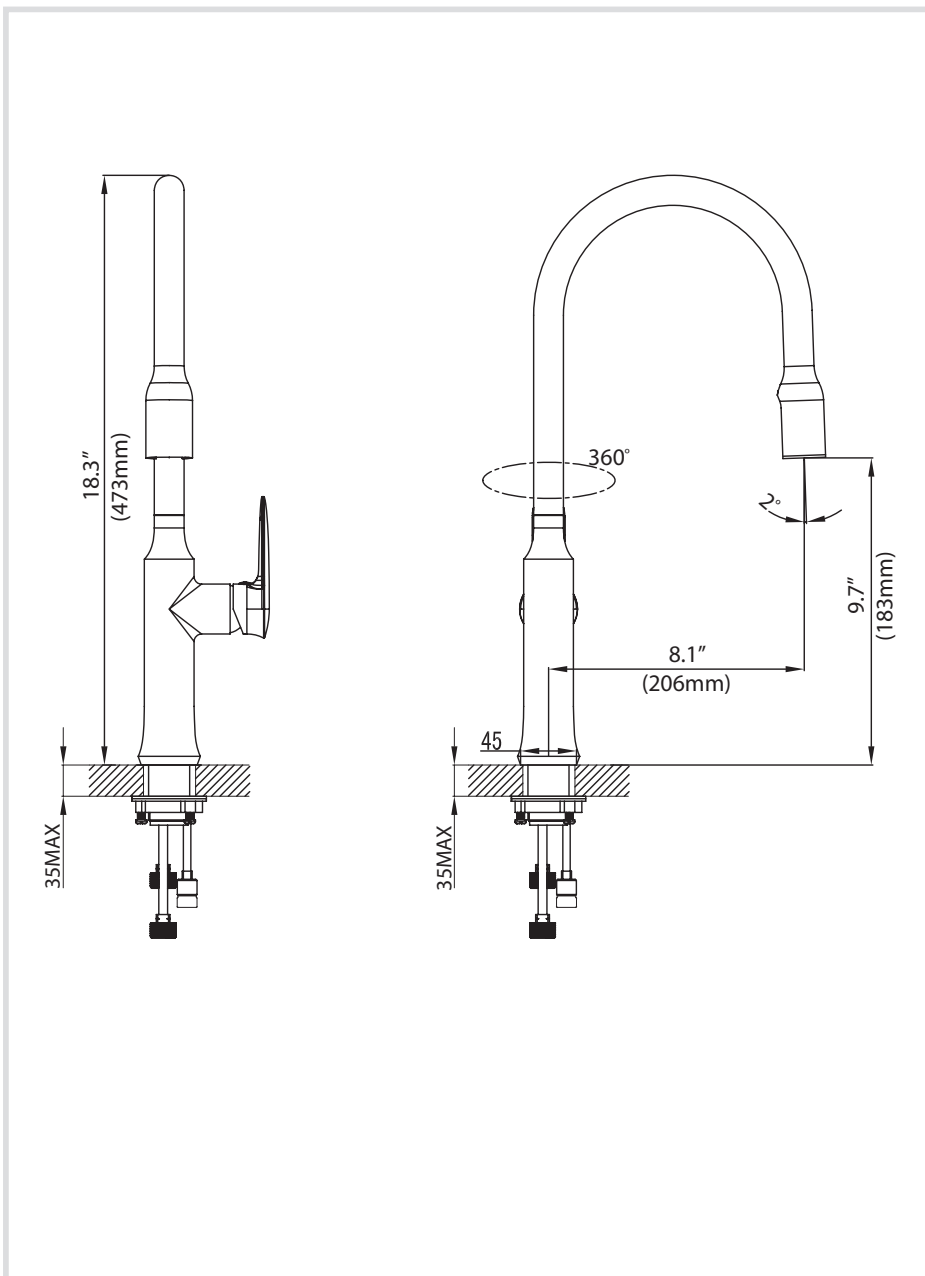
H. Aerator Key

I. Faucet Extender (used for top mount sinks only)

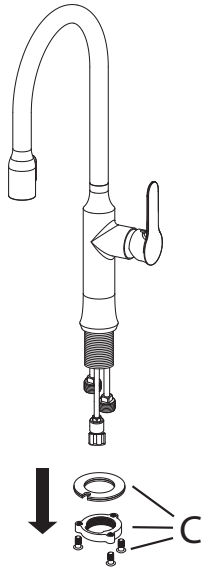
J. 2.5 mm Hex Wrench

K. Deck Plate Assembly

Faucet Dimensions

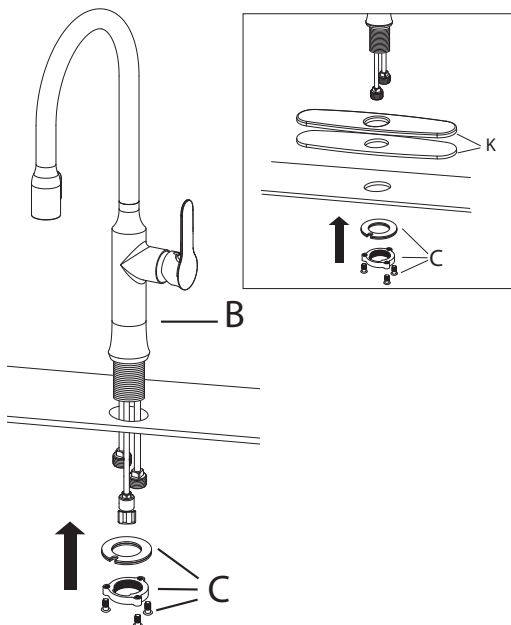


Step 1: Remove mounting hardware



Remove mounting hardware (C) from mounting pipe

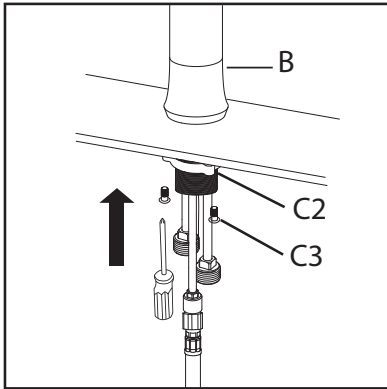
Step 2: Install faucet and mounting hardware



Insert faucet body (B) into hole in countertop or sink. Install mounting hardware (C) from underneath countertop

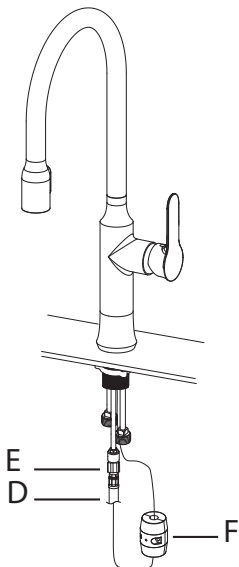
Note: Deck plate assembly (K) can be used to cover preexisting holes

Step 3: Secure mounting hardware



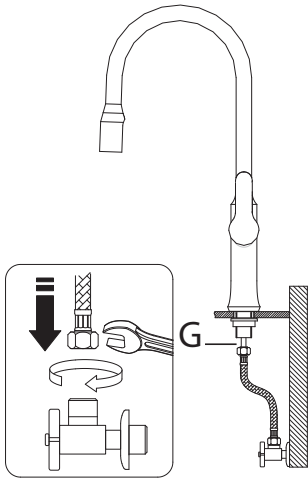
Adjust the direction of faucet body (B). Tighten mounting nut (C2) until snug. Tighten mounting screws (C3) to nut with a Phillips screwdriver until snug

Step 4: Attach spray hose and counterweight



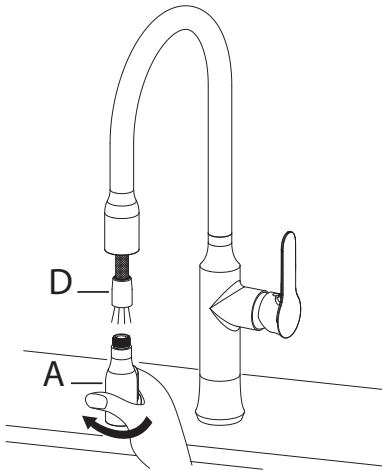
Connect hose (D) to check valve connector (E). Tighten with wrench. Install weight (F) on lowest vertical point on hose (D)

Step 5: Connect waterlines



Connect waterlines (G) to copper lines and angle stops. Tighten both ends of waterlines with an adjustable wrench until snug. Turn on angle stops and check for leaks (DO NOT TURN FAUCET ON)

Step 6: Flush spray hose

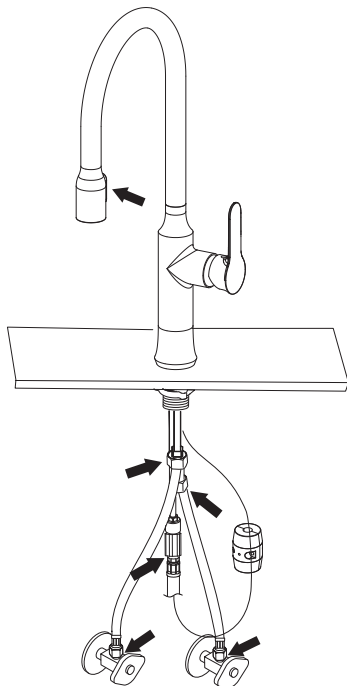


Remove spray head (A) from hose (D). Hold tip of hose (D). Turn faucet on for 60 seconds to flush any debris

Installer Tip: Please make sure washer (D1) is installed prior to attaching spray head (A) to hose (D)

Step 7 : Check for leaks

Check for leaks at the connections



Care & Maintenance

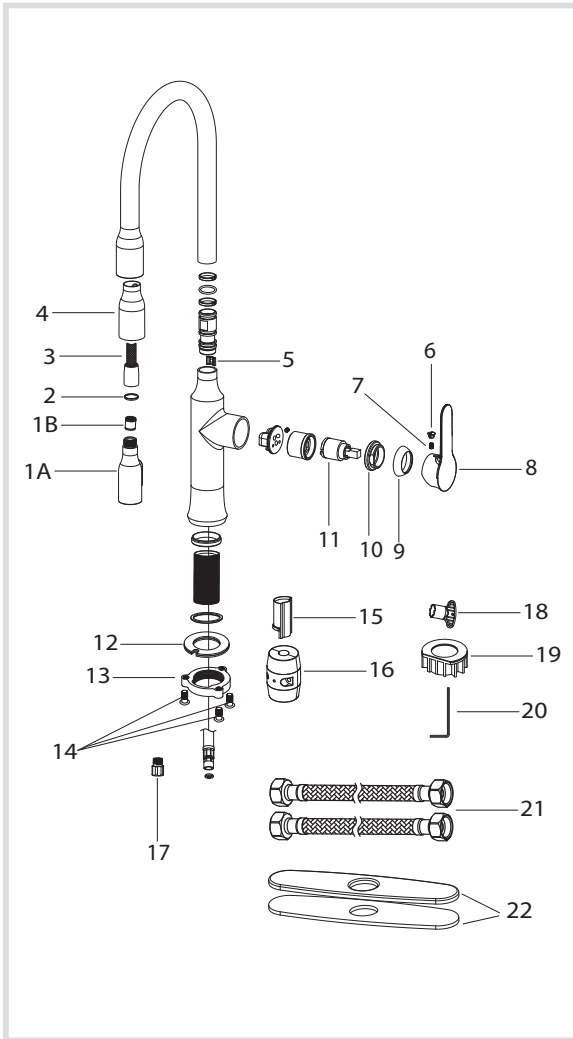
*To keep the product clean & shining, follow the steps below:

1. Rinse with clean water & dry with a soft cloth
2. Do not clean with soaps, acid, polish, abrasives, or harsh cleaners
3. Do not use cloth with a coarse surface
4. Unscrew the aerator and clean when necessary

*This installation manual is subject to change without further notice.



Replacement Parts



1. A. Spray Head
B. Check Valve
2. Washer
3. Spray Hose
4. Plastic Cover
5. Pivot Clip
6. Cover Button
7. Set Screw
8. Metal Handle
9. Cartridge Cover
10. Locking Nut
11. Cartridge
12. Rubber & Metal Washer
13. Mounting Nut
14. Mounting Screw
15. Protective Sleeve
16. Weight
17. Check Valve Connector
18. Aerator Key
19. Faucet Extender
20. 2.5 mm Hex Wrench
21. Hot & Cold Waterlines
22. Deck Plate Assembly

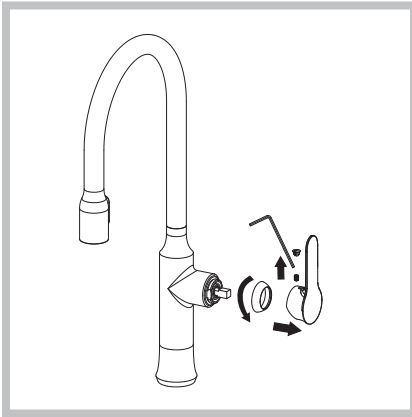
Trouble - Shooting

If you have followed the instructions carefully and your faucet still does not work properly, take the following corrective steps:

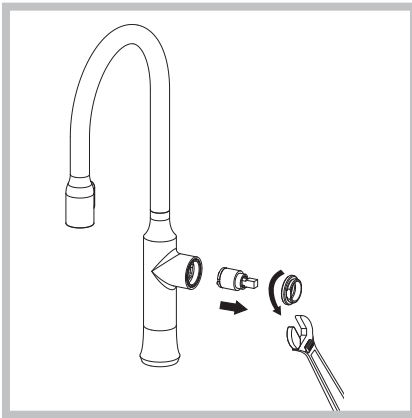
PROBLEM	CAUSE	ACTION
Leaking from faucet handle	Locking nut (10) may have come loose, or cartridge (11) may need to be reseated	Remove cover button (6). Loosen set screw (7) with 2.5 mm hex wrench (20). Remove handle (8). Unscrew cartridge cover (9) by hand. Tighten locking nut (10) with an adjustable wrench
Water does not shut off completely	Cartridge (11) may need to be adjusted or replaced	Remove cover button (6). Loosen set screw (7) with 2.5 mm hex wrench (20). Remove handle (8). Unscrew cartridge cover (9) by hand. Unscrew locking nut (10) with an adjustable wrench. Remove cartridge (11). Check for cracks, and if O-ring is seated correctly. Reseat cartridge (11)

PROBLEM	CAUSE	ACTION
Leaking between spray head and hose	Spray head (1A) may be loose or washer (2) may not be seated correctly in the hose connection	Tighten spray head (1A) by hand until snug. Make sure washer (2) is seated correctly
Hose does not retract	Weight (16) may be installed incorrectly	Readjust weight (16) on the hose (3)
Low flow	Check valve connector (17) may be clogged with debris	Remove check valve connector (17) from supply line. Soak in 50/50 solution of warm water and vinegar for 5 minutes. Reinstall check valve connector (17)

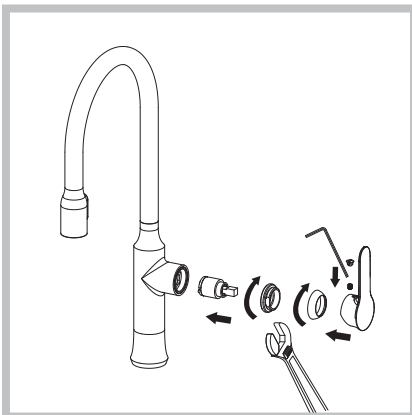
Maintenance - Cartridge Replacement



Step 1: Remove button located at the top of the handle. Loosen the set screw with a hex wrench. Remove the handle and unscrew cartridge cover by hand



Step 2: Unscrew the locking nut with an adjustable wrench. Remove ceramic disc cartridge



Step 3: Place the new cartridge in the handle seat. Secure the cartridge with the locking nut and assemble the handle

Codes/Standards Applicable:



KRAUS LIMITED LIFETIME WARRANTY

This product has been manufactured and tested to the highest quality standards by Kraus USA Inc. ("Kraus"). We offer our customers thoughtfully crafted fixtures & accessories, engineered for enduring performance over years of use.

WHO IS COVERED BY THE WARRANTY

This warranty extends to the original purchaser only. This warranty is not transferable, between homes or owners and is only applicable to residential use.

WHAT IS COVERED BY THE WARRANTY

Kraus warrants this product against defects due to material or craftsmanship error during the warranty period: Kraus will provide replacement parts at no charge, or at its option, replace any product or part of the product that is deemed defective, under normal installation, use, service and maintenance. If Kraus is unable to provide a replacement and repair is not practical or cannot be made in timely fashion, Kraus may elect to refund the purchase price in exchange for the return of the product.

CONDITIONS AND EXCLUSIONS

Like other home fixtures, Kraus products will require light maintenance to ensure proper function. We provide you with complete knowledge to perform this maintenance and can also recommend resources if you are unable to fulfill this service.

- A. Kraus will not be responsible for product failures due to lack of maintenance or proper use. Please read your care and maintenance documentation to determine the limits of proper use.
- B. The original sales receipt, order number, and/or proof of purchase must be presented at the time of the warranty claim, without exception, for this warranty to be applied to all Kraus products.
- C. Kraus recommends installing all Kraus products with a licensed, professional plumber. Kraus will not be held responsible for any damage or product failure due to improper installation, misuse, or failure to use a licensed professional. Please read your care and maintenance documentation to determine the limits of proper use.
- D. Commercial use will automatically void this warranty.
- E. This warranty is not applicable to Kraus products purchased from an unauthorized seller. For a complete list of authorized sellers please visit <http://www.kraususa.com/where-to-buy.html>

NON-APPLICABILITY OF THIS WARRANTY

By the purchase and use of our products, you agree that Kraus is not liable for incidental, consequential or special damages associated with the return, replacement, installation or use of your product. This includes freight costs, cartridge replacement, labor, travel time, lost profit, home damages and other contingent liabilities and costs (including, without limitation, costs associated with experts, investigations, analyses, attorneys and other professionals and services). The Kraus warranty is a comprehensive and explicit limit of liability, and all items outside of it are not addressable by or the responsibility of Kraus. Certain states have variances regarding implied warranties and in those situations we remain fully compliant.

KRAUS USA Inc. makes no implication that products comply with any or all local building or plumbing codes. It is the consumer's responsibility to determine local code compliance. This warranty extends to the original purchaser and first consumer.

HELP LINE

Our customer service hours are Monday – Friday, 9am – 8pm EST.
Be sure to visit our website at www.kraususa.com

If you are a homeowner please contact a Kraus Customer Service Representative at:

Kraus USA, Inc.
12 Harbor Park Drive
Port Washington, NY 11050
Toll-free 800-775-0703
Customerservice@kraususa.com

If you are a plumbing contractor or trade professional please contact a Kraus Pro Representative at:

Kraus USA, Inc.
12 Harbor Park Drive
Port Washington, NY 11050
516-801-8955
Proservice@kraususa.com

If you are an Authorized Partner please contact a Partner Support Representative at:

Kraus USA, Inc.
12 Harbor Park Drive
Port Washington, NY 11050
516-801-8954
Partnersupport@kraususa.com

In requesting warranty service, please be ready to provide:

1. Proof of purchase.
2. A description of the problem.

Kräus®

www.kraususa.com