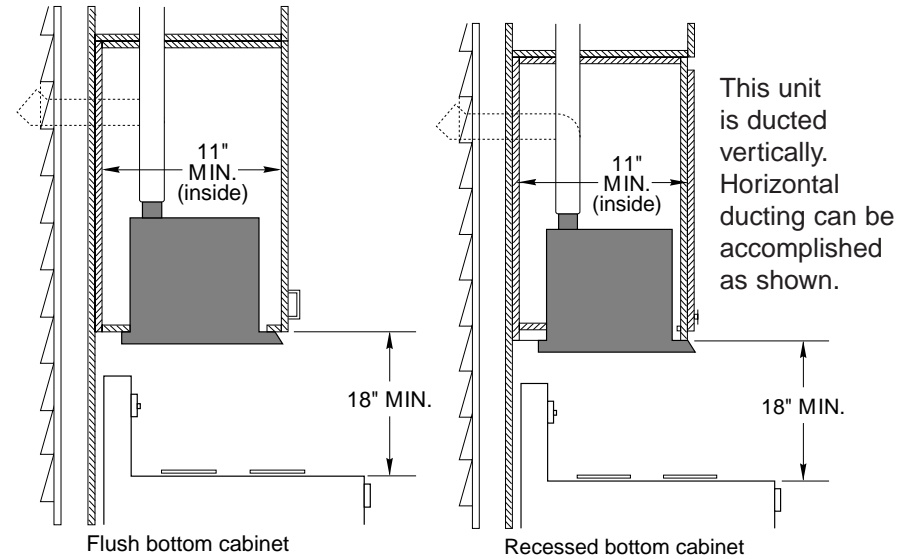
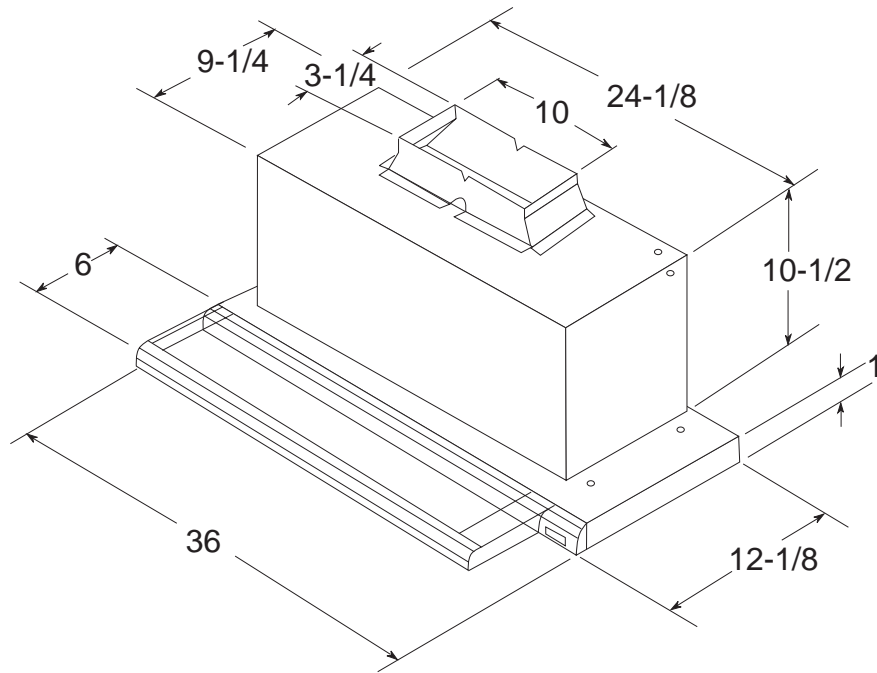




Profile™

JV695S—GE Profile™ Slide-Out Hood

Installation Information and Dimensions (in inches)



KW Rating	
120V	3.7

Note: Remove glass visor from unit before installing hood in cabinet to protect visor from damage.

Installation Information: Before installing, consult Use & Care/installation instructions [Pub. No. 49-8464] packed with product for current dimensional data.

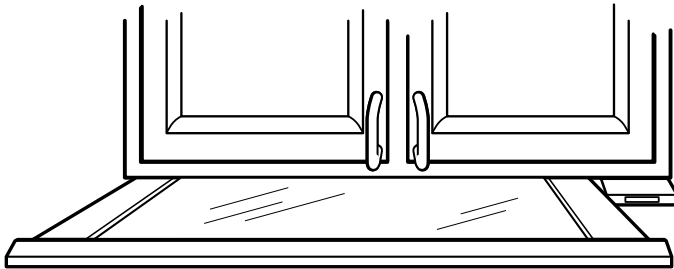
For answers to your Monogram®,
GE Profile Performance Series™,
GE Profile™ or GE appliance questions, call
GE Answer Center® service, 800.626.2000.





Profile™

JV695S—GE Profile™ Slide-Out Hood



Features and Benefits

- *White on white Model*
- *36" Vented Hood With Cooktop Light*
- *See-Through Glass Visor Slides In and Out*
- *300 CFM Performance With Variable Speed Fan Control*
- *Auto Heat Sensor*
- *Compact Housing Leaves Ample Shelf Space Behind Cabinet Doors*
- *Vertical Exhaust With 3-1/4" x 10" Rectangular Duct*
- *Sones Rating: Top Exhaust — 4.5*
- *Also Available In Black on black as Model JV694S and Bisque as in Model JV696S*