

Panel Installation Guide

The Gen 3 Panel-Ready models make it easy to install custom cabinetry framing to seamlessly match surrounding cabinetry.

Base Models:

- SRBC052D3SS-P
- SRWC052D3SS-P
- SRWBC052D3SS-P

Please Note

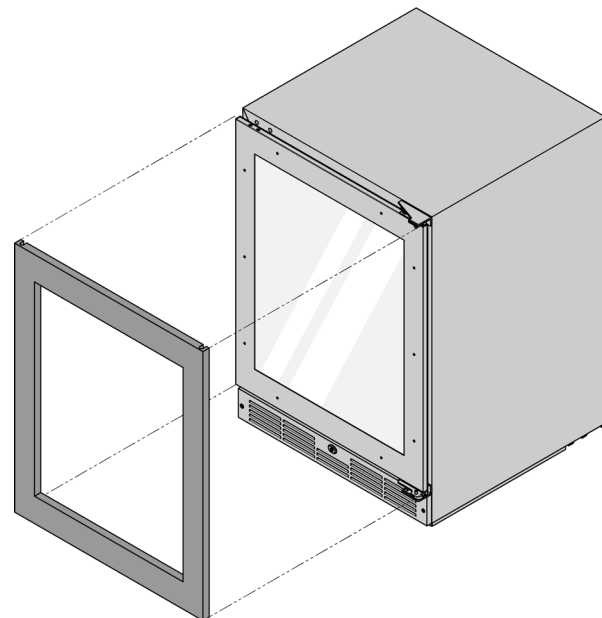
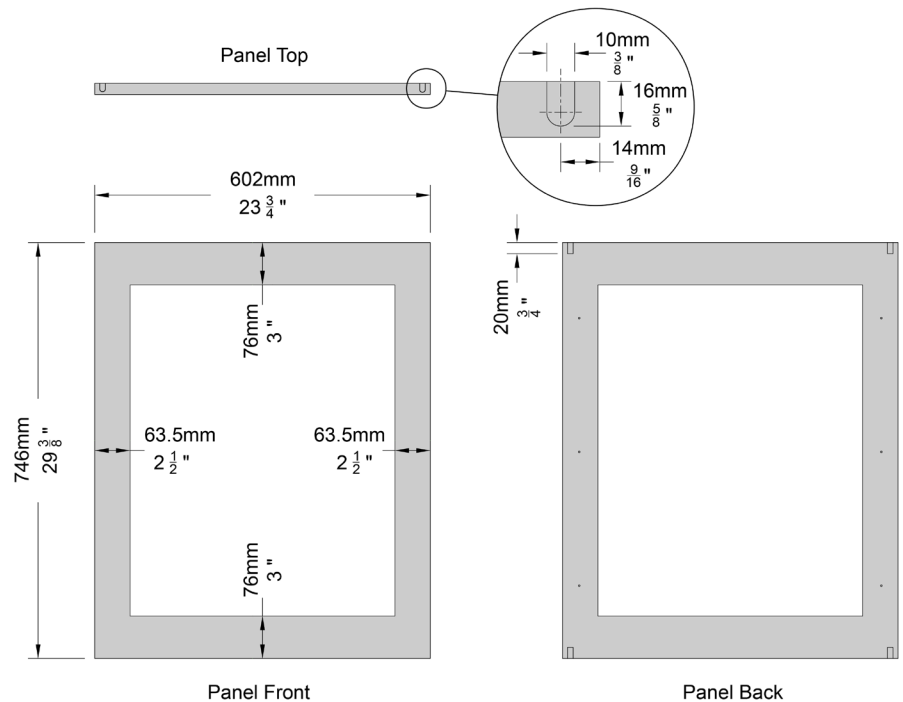
- Max. panel thickness 3/4" (19mm)
- Max. weight of panel 20 Lbs (10 Kg)
- Cabinetry frame 'panel' and handle to be supplied by customer

Suggested Equipment

- Drill and 7/64" (3mm) Drill Bit
- Bar Clamps/Tape
- Phillips Head Screwdriver

Preparation

1. Cut the panel to dimensions shown, including the slots for hinge clearance.
2. If applying stain or finish, follow instructions on the product and consider finishing both sides to prevent warping. In some frame installations, the panel may be visible through the glass while the door is open.
3. Install desired handle, ensuring screws sit flush with the back face of the panel.



Panel Installation Guide

Installation Instructions

1. Fully open door.
2. Starting at the corner, pull the gasket away from the door. See Fig A.
3. Continue to pull the gasket free from the gasket channel.
4. Upon removal, lay the gasket down on a flat surface.
5. Secure integrated panel to door using clamps. It is recommended to use bar clamps to secure the panel to the door. A robust tape may also be used. If using tape, ensure the tape will not damage the panel finish upon removal. See Fig B.
6. Using a 7/64" (3mm) drill bit, drill 6 pilot holes into the wood panel 1/2" (12mm) deep using the holes in the door frame as a guide.

Notice: It is important to ensure that all drill holes are drilled to the correct depth in order to avoid splits in the wood when hardwood is installed.

7. Locate 6 of the ST4x 25mm screws provided with your unit.
8. Using a Phillips screwdriver, place one screw into each of the 6 pilot holes and screw down. Do not over tighten the screws. See Fig C.
9. Ensure the screws sit flush against the bottom of the channel. Remove clamps from the door.

Notice: If panel requires additional adjustment after removing clamps, slightly loosen each screw and adjust panel as necessary. Tighten screws upon completion.

10. Starting at the corners, re-install the gasket into the gasket channel in the frame. Make sure the gasket is fully seated.

Fig. A

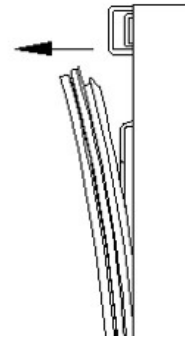


Fig. B

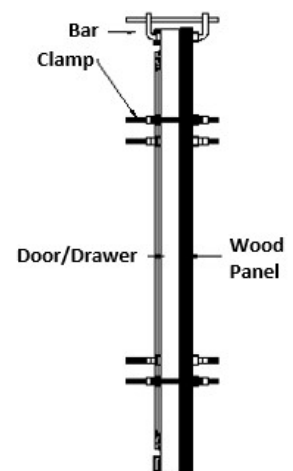


Fig. C

