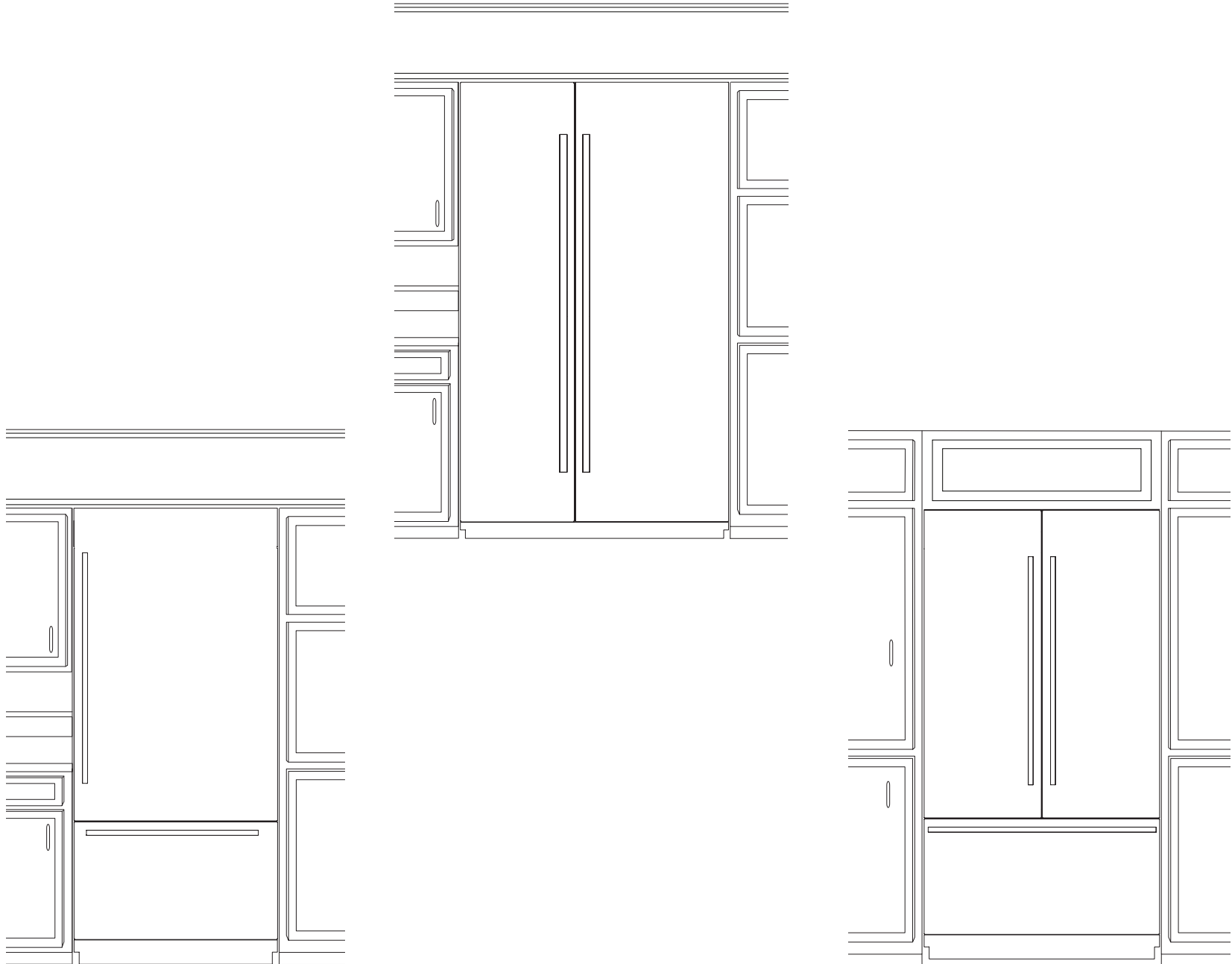


BUILT-IN REFRIGERATOR FULL HEIGHT DOOR PANEL KIT  
INSTALLATION INSTRUCTIONS

TROUSSE DE PORTE PLEINE GRANDEUR POUR  
RÉFRIGÉRATEUR ENCASTRÉ  
INSTRUCTIONS D'INSTALLATION

# BUILT-IN REFRIGERATOR FULL HEIGHT DOOR PANEL KIT



# INTRODUCTION

## SAFETY

### Your safety and the safety of others are very important.

We have provided many important safety messages in this manual and on your appliance. Always read and obey all safety messages.



This is the safety alert symbol.

This symbol alerts you to potential hazards that can kill or hurt you and others.

All safety messages will follow the safety alert symbol and either the word “DANGER” or WARNING.” These words mean:

**⚠ DANGER**

**You can be killed or seriously injured if you don't immediately follow instructions.**

**⚠ WARNING**

**You can be killed or seriously injured if you don't immediately follow instructions.**

All safety messages will tell you what the potential hazard is, tell you how to reduce the chance of injury, and tell you what can happen if the instructions are not followed.

# INTRODUCTION

## TABLE OF CONTENTS

### INTRODUCTION

Safety .....	3
Registering Your Product .....	4
Product Identification .....	4

### SITE PREPARATION

Before Installation .....	5
Tools and Parts Required .....	5
Tools and Parts Provided .....	5
Parts Supplied with Refrigerator .....	6
Installation Requirements .....	7
Plan the Installation .....	7
Opening Requirements .....	7
Cabinet and Panel Installation Options .....	7
Cabinet Cutout Options .....	8
Airflow and Venting Recommendations .....	8
Panel Dimensions .....	9

### INSTALLATION

Installing Grille Bracket Assembly .....	10
Installing Air Divider .....	11
Installing Grille Panel .....	12
Removing Film from Panels .....	13
Installing Freezer Panel .....	14
Installing Door Panel(s) .....	15
Moving Refrigerator to Final Position .....	17
Adjusting Door Swing .....	18
Adjusting Freezer Panel .....	19
Adjusting Refrigerator Panel(s) .....	20
Attaching Panel(s) .....	22
Completing the Installation .....	24

TABLE DES MATIÈRES .....	27
--------------------------	----

# INTRODUCTION

## REGISTRATION

### REGISTERING YOUR PRODUCT

Gain access to our concierge-level Customer Support by registering your appliance. We make product registration simple and straightforward so that you can start using your exclusive Jenn-Air benefits today.

Registering your appliance allows you to:

- **Streamline your warranty service**  
If we have your product information, we can help you faster.
- **Protect your purchase**  
In case of an insurance loss, such as fire, flood, or theft, your product registration could serve as a proof of purchase.
- **Keep your family safe**  
We'll notify you in the rare case of a safety notification.

Start taking advantage of these benefits today by going on-line to register your product at [jennair.com/customer-care](http://jennair.com/customer-care). In Canada, register your product at [jennair.ca](http://jennair.ca).

### PRODUCT IDENTIFICATION

Your product identification, which includes the model and serial numbers, is listed on the product rating plate.

Recording this information below allows us to more easily assist you if your product should ever require service from one of our Jenn-Air Authorized Service Providers.

**Model Number:** \_\_\_\_\_

**Serial Number:** \_\_\_\_\_

**Date of Installation:** \_\_\_\_\_

**Authorized Dealer:** \_\_\_\_\_

**Authorized Dealer Phone #:** \_\_\_\_\_

# SITE PREPARATION BEFORE INSTALLATION

## IMPORTANT:

- These instructions are intended as a general guide only and do not supersede any national or local codes in any way. Compliance with all local, state, or national codes pertaining to this type of installation should be determined prior to installation.
- These instructions are intended to supplement the Installation Instructions provided with your refrigerator, not replace them. Follow the instructions provided with the refrigerator to install it into the cabinet.

**NOTE:** The hardware bag contains all the parts and fasteners needed to install panels. Most of these components have been pre-installed on the panels included in this kit. A hardware bag is shipped with the refrigerator. You will find the hardware bag in either one of the crisper drawers or attached to the outside of one of the refrigerator doors.

## ⚠ CAUTION

### Pinch Hazard

Installation of door panels with less than a  $\frac{3}{8}$ " (0.95 cm) gap between the door panel and the adjacent cabinet increases the risk of potential pinching.

## TOOLS AND PARTS REQUIRED

Assemble the required tools and parts before starting installation. Read and follow the instructions provided with any of the required tools listed here. Proper installation is your responsibility.

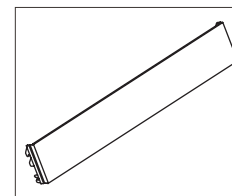
### Tools Required:

- Cordless drill and drill bits
- 3/8" and 1/2" Open-end wrenches or two adjustable wrenches
- Phillips screwdriver
- Small level
- Appliance dolly
- 3/32", 5/32", and 3/16" Hex keys
- 1/4" and 5/16" Nut drivers
- 6" Extension nut drivers
- Tape measure

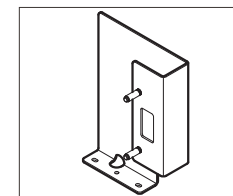
## TOOLS AND PARTS PROVIDED

### Parts Supplied with Panel Kit:

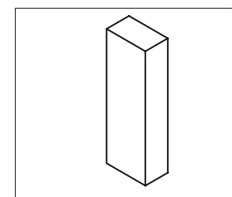
- Exterior door panels with handles and mounting hardware pre-installed.
- Instructions



**Grille Panel**

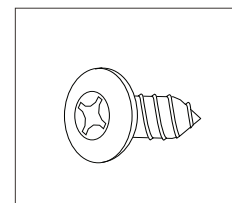


**Grille bracket assembly**

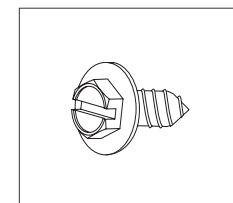


**Foam air divider**

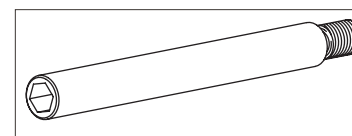
### Parts Supplied with Refrigerator (Needed to Install Panel Kit):



**Phillips-head flat screw**  
Black: 8281252



**Slotted hex-head screw**  
W10141645



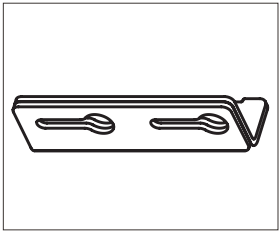
**Door stop pin**  
W10234202

# SITE PREPARATION

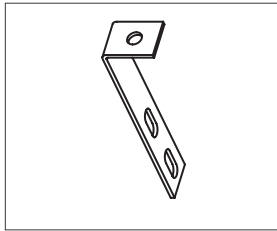
## BEFORE INSTALLATION (CONTD.)

### PARTS SUPPLIED WITH REFRIGERATOR

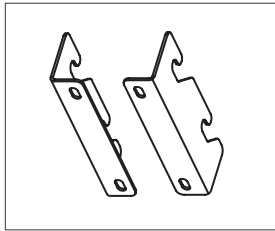
The following parts are either not needed to install the panels in this kit, or they are already installed on the panels. These parts can be discarded after the installation is completed:



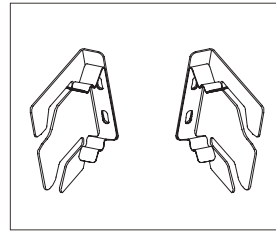
**Panel top bracket**  
Black: W10667450



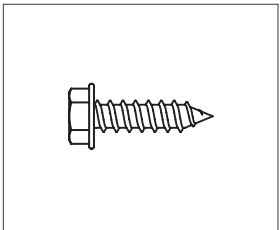
**"L" brackets**  
W10234199



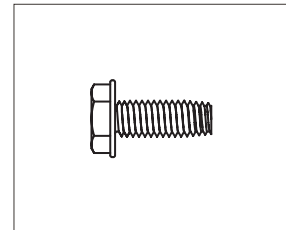
**Standard grille bracket**  
W10182743 (left)  
W10172741 (right)



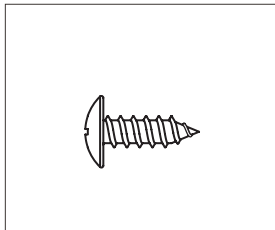
**Integrated grille bracket**  
W10260890 (left)  
W10260891 (right)



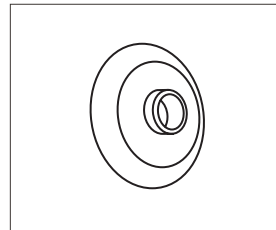
**Hex-head pointed screw**  
W10141189



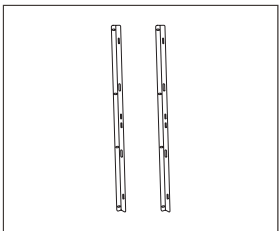
**Hex-head blunt screw**  
W10142233



**Round-head screw**  
1163283



**Shoulder washer**  
W10471946



**Freezer panel brackets**  
W10606815

# SITE PREPARATION INSTALLATION REQUIREMENTS

## PLAN THE INSTALLATION

### IMPORTANT:

Plan your installation using these instructions in conjunction with the Installation Instructions provided with the refrigerator. Modifications must be made to the refrigerator to accommodate the full height door panels.

### Required parts

- One of the following built-in refrigerator models:
  - 42" Side-by-Side: JS42NFXDE
  - 48" Side-by-Side: JS48NFXDE
  - 36" Bottom Mount: JB36NFXLE, JB36NFXRE
  - 36" French Door Bottom Mount: JF36NFXDE
  - 42" French Door Bottom Mount: JF42NFXDE
- Steel Panels with handles and Accessory Full Height Door Panel Kit (which includes Grille Panel and Grille Bracket Assembly).

## OPENING REQUIREMENTS

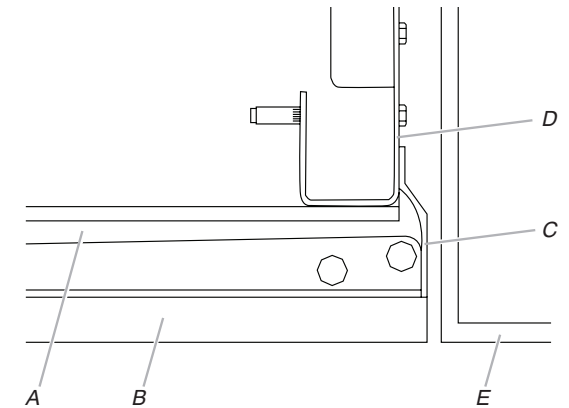
### IMPORTANT:

- The width of the opening, from side to side, must be as specified for your model, for at least 3" (7.62 cm) back from the face of the cabinet. If your opening does not meet this requirement, you will need to make modifications.
- The depth of the opening from the front of the cabinet to the back wall must be 25" (63.5 cm) minimum to achieve a flush installation.

## CABINET AND PANEL INSTALLATION OPTIONS

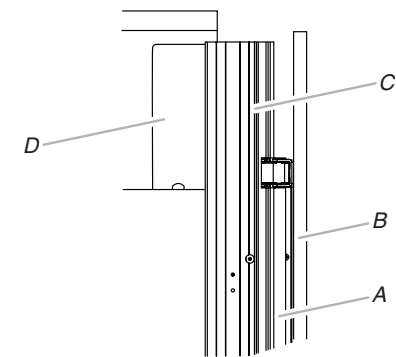
Cabinet Depth - 25" (63.5 cm)

### Grille Bracket - Top View



- A. Refrigerator door
- B. Full height door panel
- C. Side trim
- D. Grille bracket
- E. Adjacent cabinet

### Grille Bracket - Side View



- A. Refrigerator door
- B. Full height door panel
- C. Side trim
- D. Grille bracket

# SITE PREPARATION

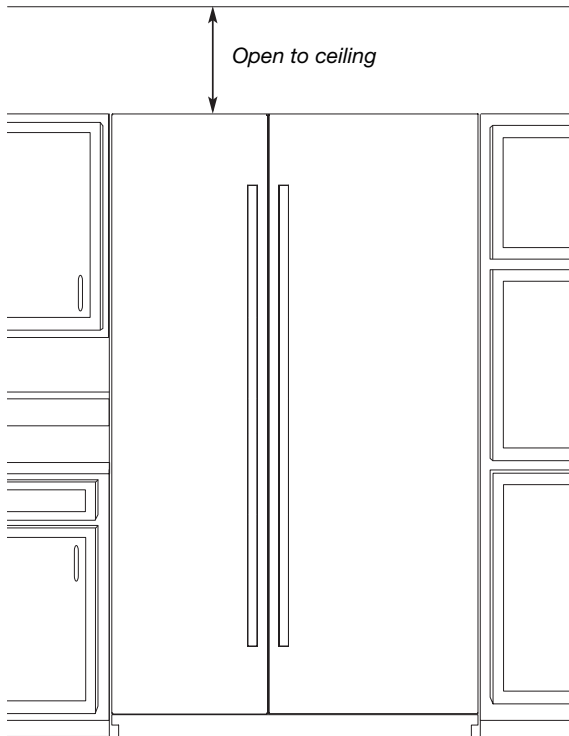
## CABINET CUTOUT OPTIONS

### AIRFLOW VENTING RECOMMENDATIONS

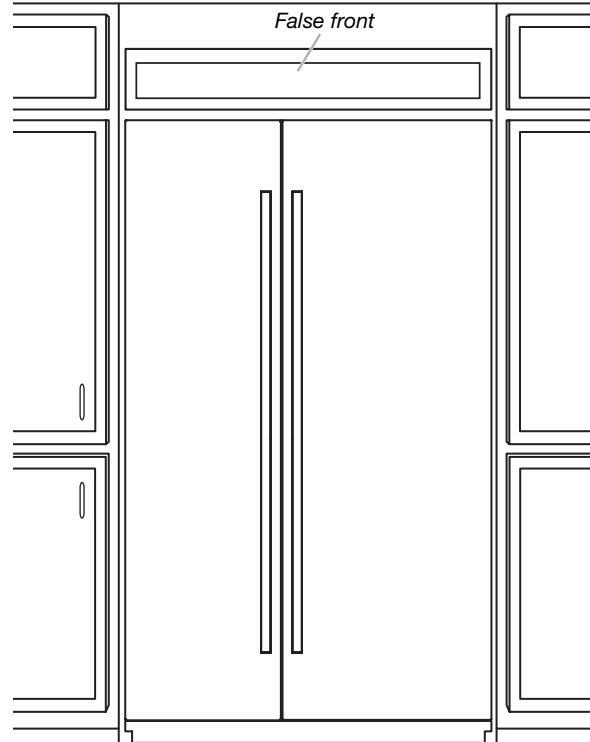
#### IMPORTANT:

- Full height door style installations recommends a minimum of 1/8" (3.2 mm) of open space above the refrigerator. It is recommended that this space not be blocked in any way, including soffits.
- Models may be installed using either Option 1, Option 2 or option 3.

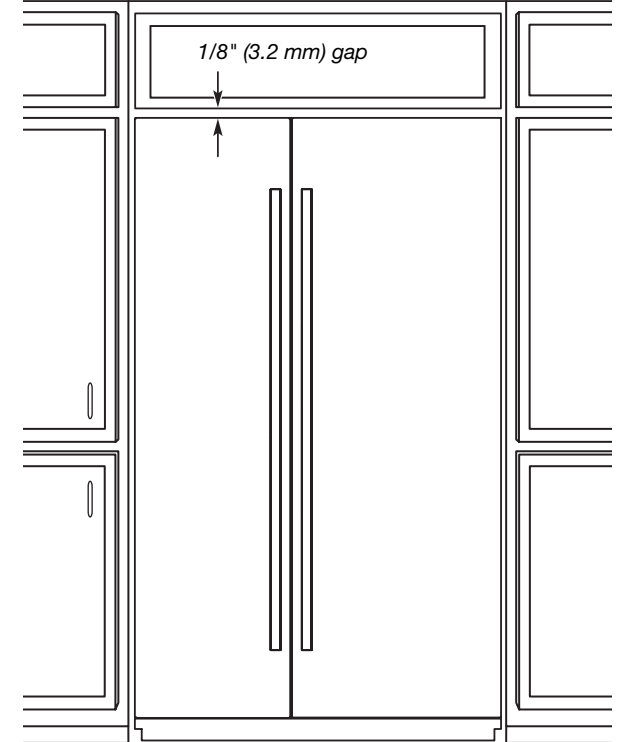
**Option 1 - Open to Ceiling**



**Option 2 - False Front (cabinet face only)**



**Option 3 - Closed Soffit**

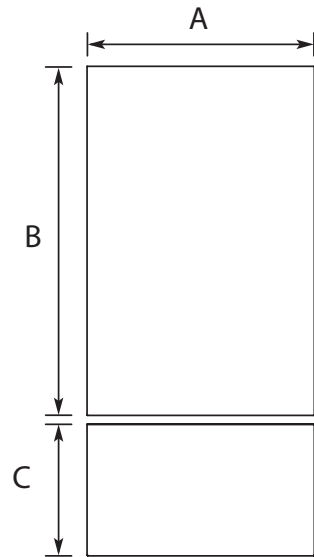


# SITE PREPARATION

## PANEL DIMENSIONS

### BOTTOM MOUNT MODEL

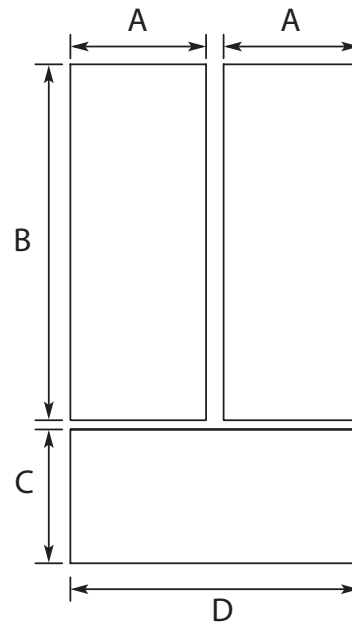
! Maximum possible panel weight: 46 lbs (20.9 kg)



Legend	Model	Dimension
<b>A</b>	36"	35 <sup>3</sup> / <sub>4</sub> " (90.61 cm)
<b>B</b>	36"	59 <sup>1</sup> / <sub>8</sub> " (150.2 cm)
<b>C</b>	36"	20 <sup>1</sup> / <sub>2</sub> " (52.07 cm)

### FRENCH DOOR BOTTOM MOUNT MODELS

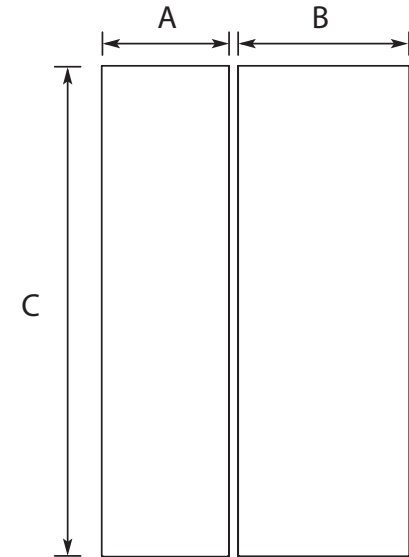
! Maximum possible panel weight: 34 lbs (15.5 kg)



Legend	Model	Dimension
<b>A</b>	36"	17 <sup>3</sup> / <sub>4</sub> " (45.09 cm)
<b>B</b>		59 <sup>1</sup> / <sub>8</sub> " (150.2 cm)
<b>C</b>		20 <sup>1</sup> / <sub>2</sub> " (52.07 cm)
<b>D</b>		35 <sup>3</sup> / <sub>4</sub> " (90.61 cm)
<b>A</b>	42"	20 <sup>3</sup> / <sub>4</sub> " (52.71 cm)
<b>B</b>		59 <sup>1</sup> / <sub>8</sub> " (150.2 cm)
<b>C</b>		20 <sup>1</sup> / <sub>2</sub> " (52.07 cm)
<b>D</b>		41 <sup>3</sup> / <sub>4</sub> " (105.85 cm)

### SIDE BY SIDE MODELS

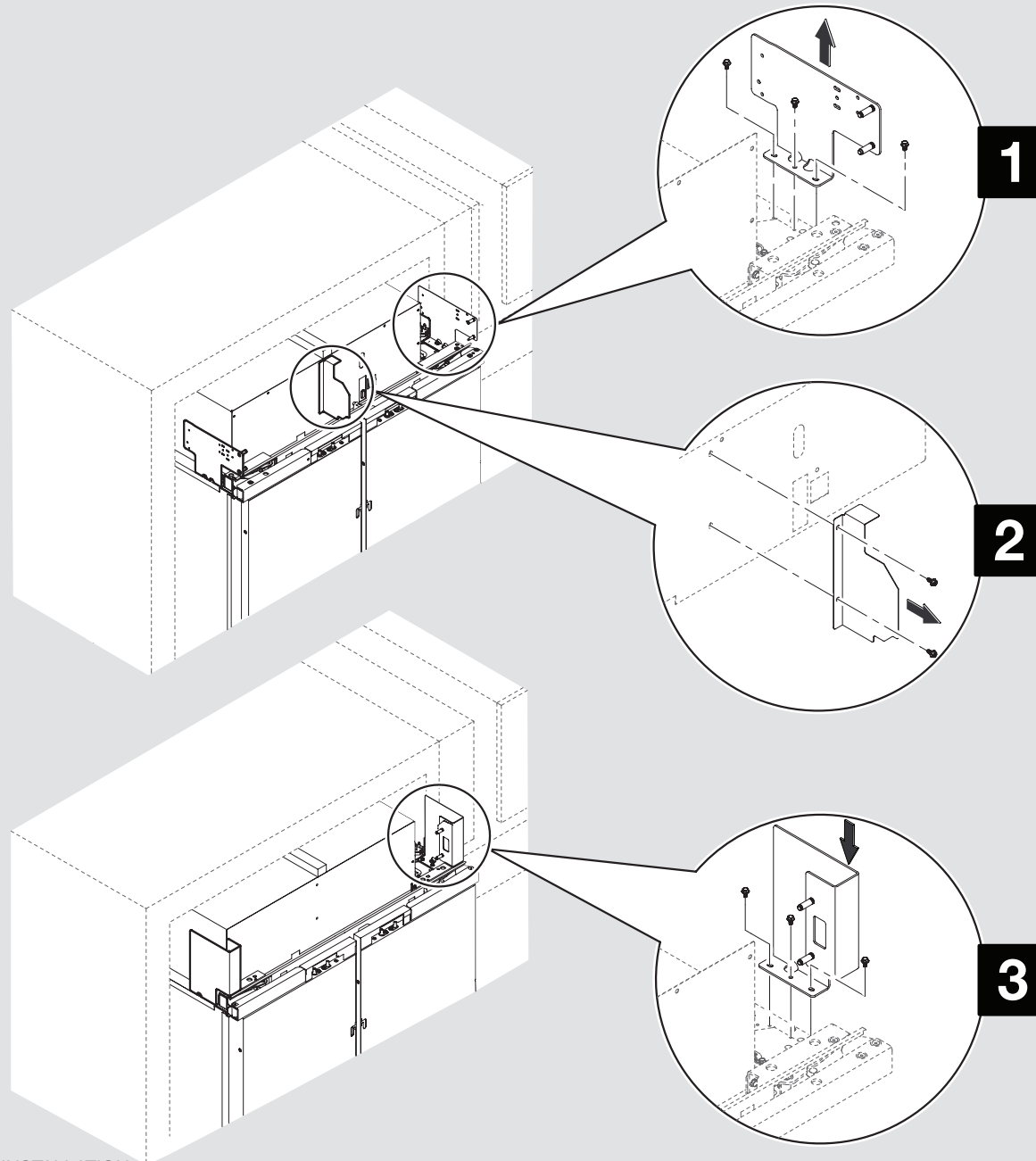
! Maximum possible panel weight: 48 lbs (21.7 kg)



Legend	Model	Dimension
<b>A</b>	42"	17 <sup>3</sup> / <sub>4</sub> " (45.14 cm)
<b>B</b>		23 <sup>3</sup> / <sub>4</sub> " (60.38 cm)
<b>C</b>		81" (205.7 cm)
<b>A</b>	48"	20 <sup>1</sup> / <sub>4</sub> " (51.49 cm)
<b>B</b>		27 <sup>1</sup> / <sub>4</sub> " (69.27 cm)
<b>C</b>		81" (205.7 cm)

# INSTALLATION

## INSTALLING GRILLE BRACKET ASSEMBLY



APPLIES TO: 

### **⚠ WARNING**

#### **Excessive Weight Hazard**

**Use two or more people to move and install refrigerator.**

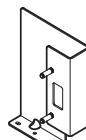
**Failure to do so can result in back or other injury.**

**NOTE:** If refrigerator is not on rollers, it is recommended to lower the product to have more access at the top of product for panel installation. For ease of grille installation, it is recommended to have product outside of kitchen cabinet.

1. Remove the three screws fastening each mounting plate to the top of the refrigerator on each side. Discard the mounting plates but keep the screws for attaching the two grille bracket assemblies provided in this kit.
2. Remove the two screws fastening the air divider to the unit housing. Discard the air divider, and reinstall the screws into the holes from where they were removed.
3. Align the three holes in a grille bracket assembly with the three holes in a cabinet side, as shown. Using the screws removed in Step 1, attach the grille bracket assembly.
4. Repeat step 3 to install the other grille bracket assembly to the opposite side of the refrigerator.

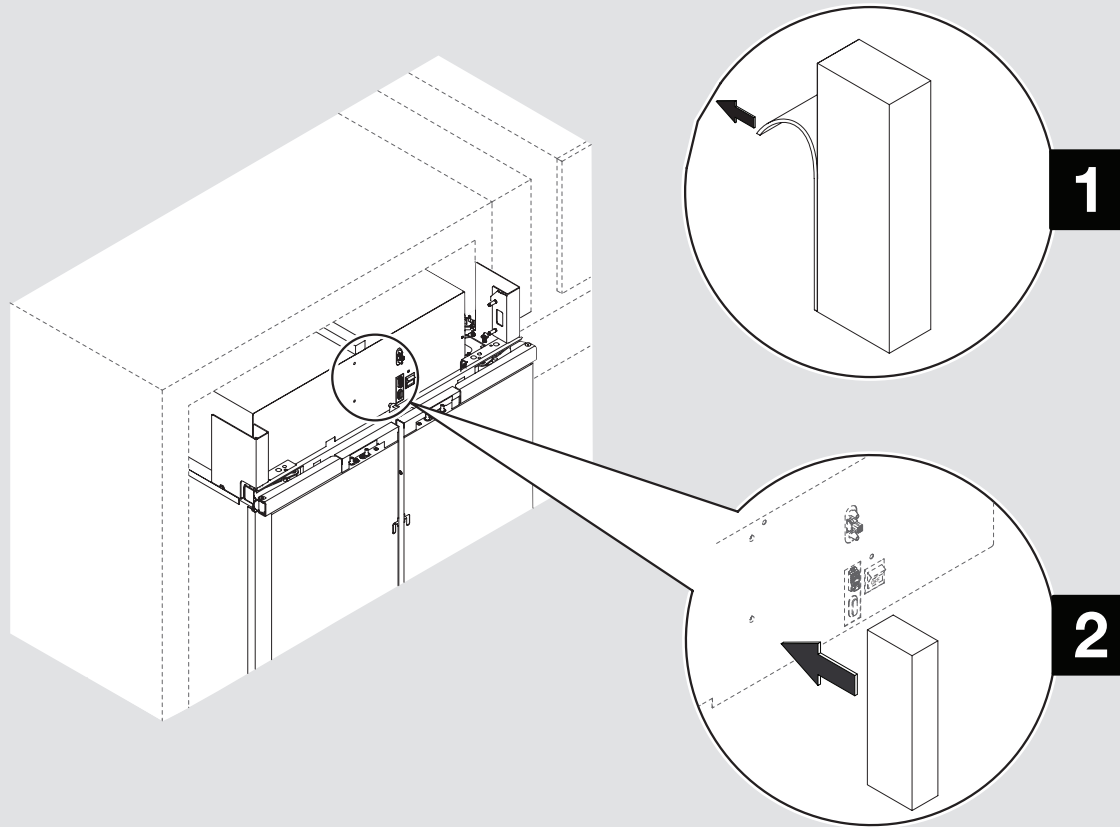
**IMPORTANT:** Installing the full height door panels before removing both existing factory installed grille brackets can damage the panels.

Parts to be used:

	<p>X2 Grille bracket assembly</p>
---------------------------------------------------------------------------------------	-----------------------------------

# INSTALLATION

## INSTALLING AIR DIVIDER



! Align the base of foam air divider with base of unit housing

APPLIES TO:

1. Peel away the paper layer from the foam air divider to reveal the adhesive side.
2. Stick the foam air divider to unit housing at the location where metallic air divider was installed earlier by applying even pressure.

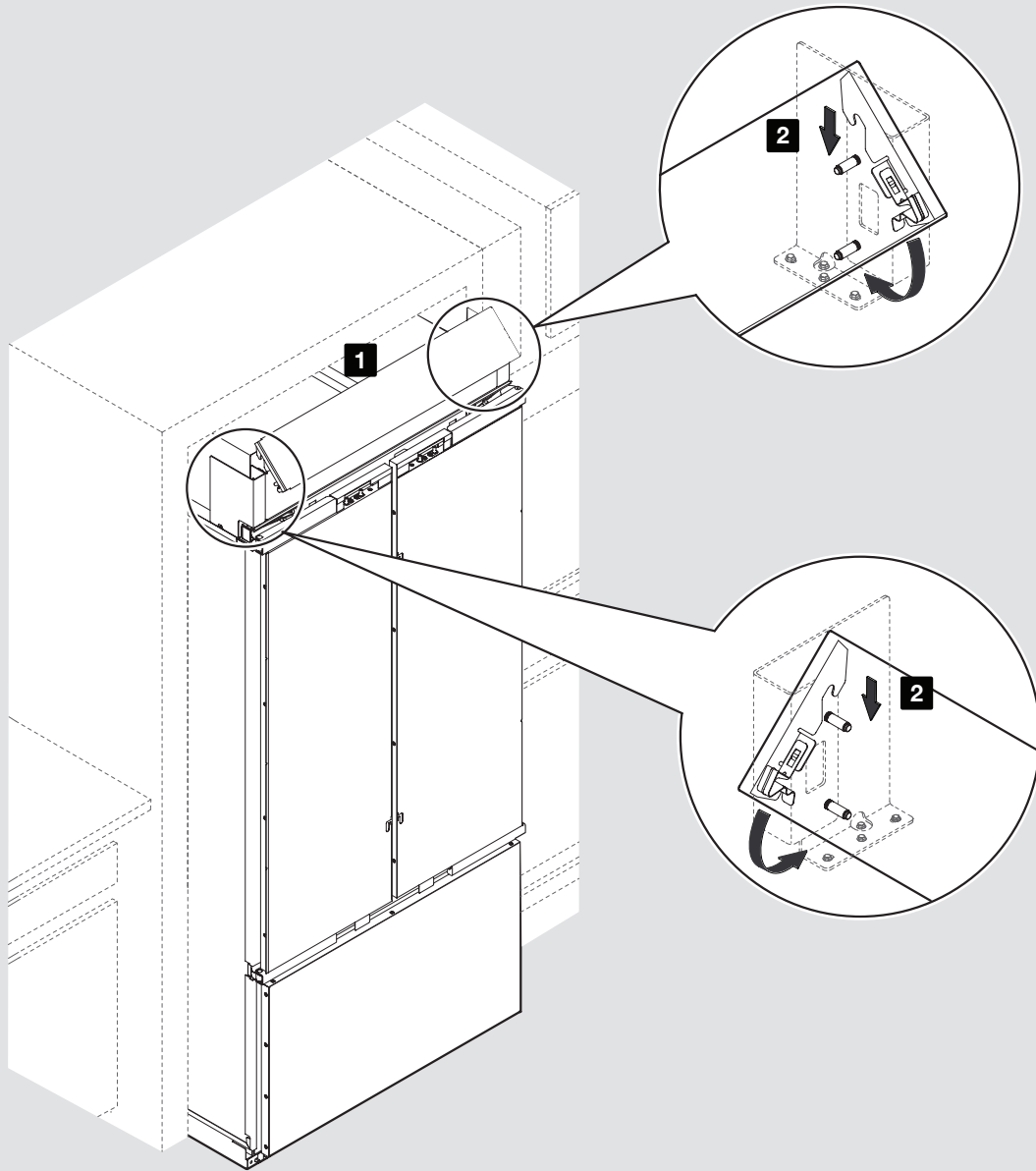
Parts to be used:

	X1 Foam air divider
--	---------------------

INSTALLATION

# INSTALLATION

## INSTALLING GRILLE PANEL

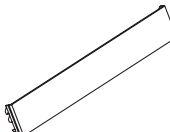


APPLIES TO: 

1. Position the grille panel between the grille brackets on each side of the cabinet.
2. Hook the top of grille onto the upper rivet pins. Rotate downward and push the bottom of the grille panel in until the grille panel snaps into place.

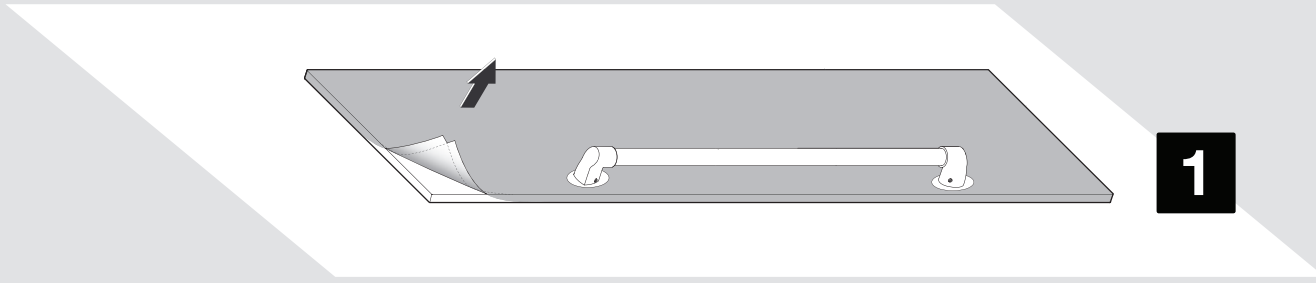
**NOTE:** For grille panel removal, push the top of grille panel inward until the lower portion snaps out. Rotate and lift off the grille panel.

Parts to be used:

	X1 Grille panel
-------------------------------------------------------------------------------------	-----------------

# INSTALLATION

## REMOVING FILM FROM PANELS



APPLIES TO: 

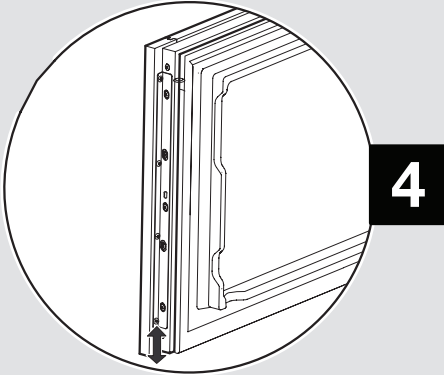
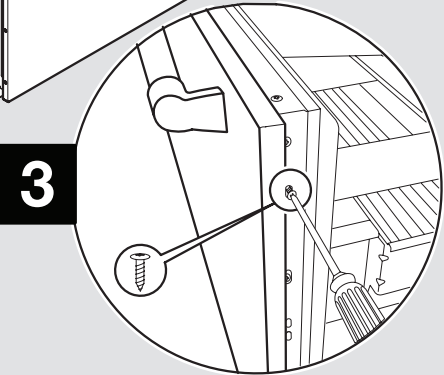
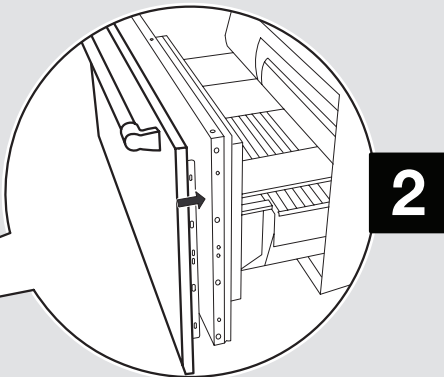
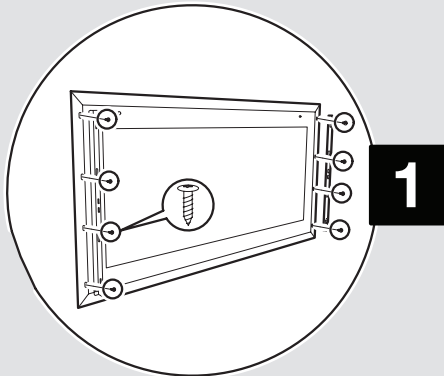
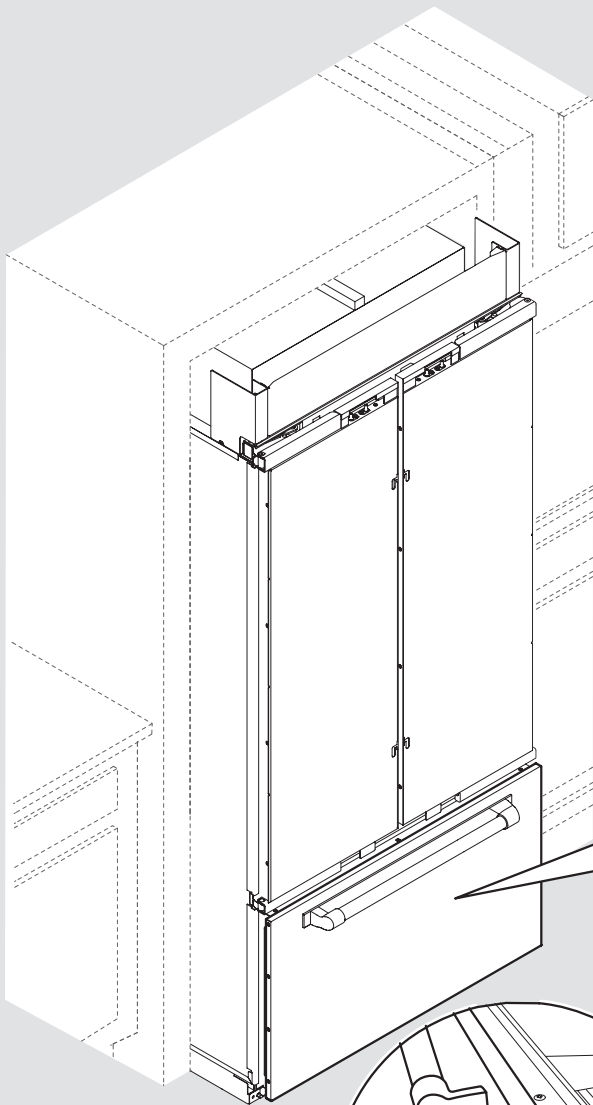
1. Peel off the film covering on all the door / drawer panels completely.

**NOTE:** Gently handle the panels after film is removed to avoid the panels from external damages such as scratches.

# INSTALLATION

## INSTALLING FREEZER PANEL

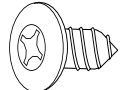
! FOR SIDE BY SIDE MODELS - SKIP THIS STEP



APPLIES TO: 

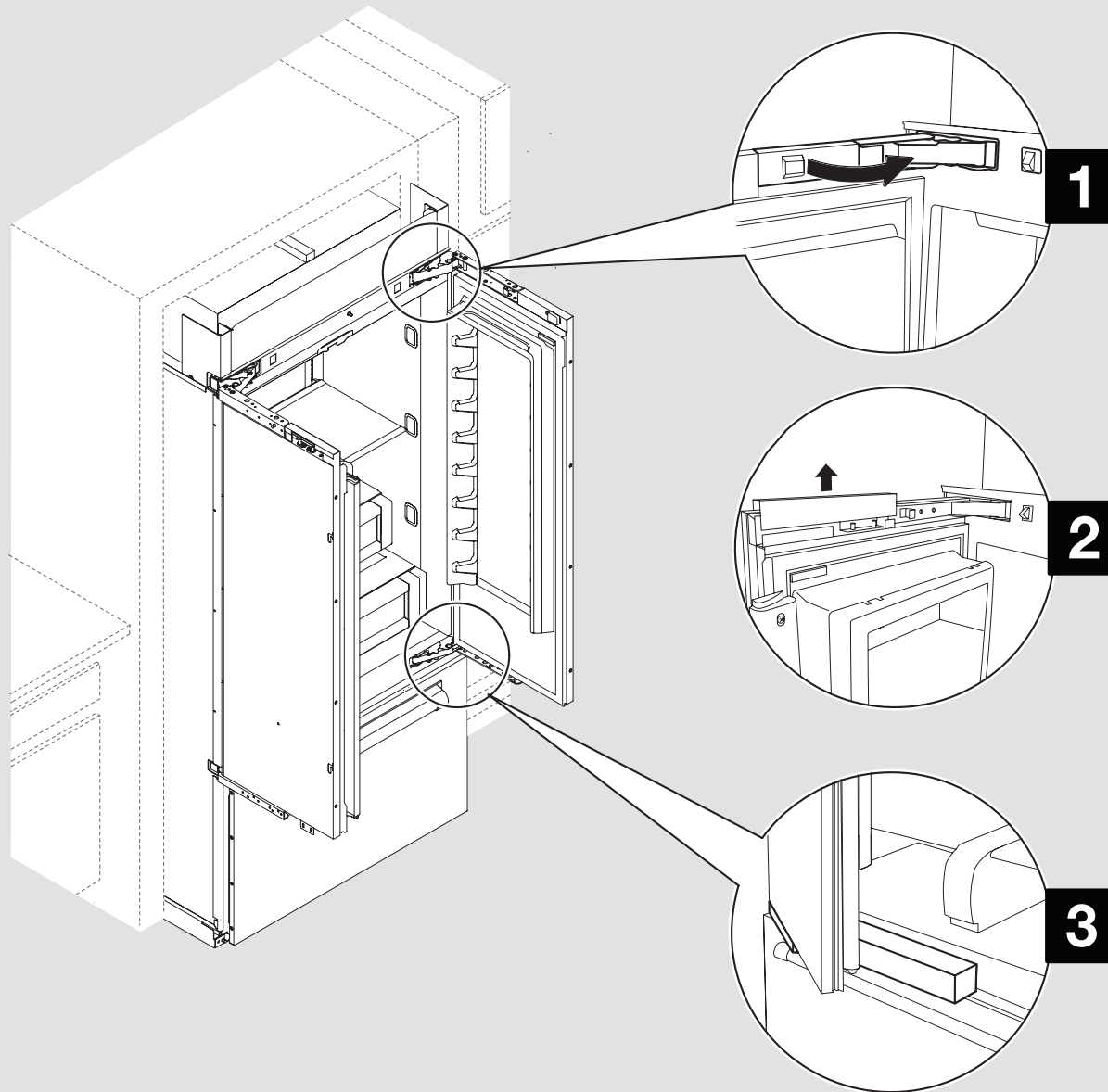
1. Slightly loosen the bracket screws present on freezer panel.
2. Slide panel onto drawer. Retighten the four screws on each side attaching the bracket to the drawer panel.
3. Using the Phillips-head flat screws, fasten the panel brackets to the drawer.
4. To allow for later adjustment of the panel, do not fully tighten the screws attaching the bracket to the drawer.

**IMPORTANT:** When you have completed installing all the panels, check for alignment. The drawer panel will move up or down to align. Completely tighten the screws only when panels are fully aligned.

Parts to be used:	
	X6 Phillips-head screws

# INSTALLATION

## INSTALLING DOOR PANEL(S)

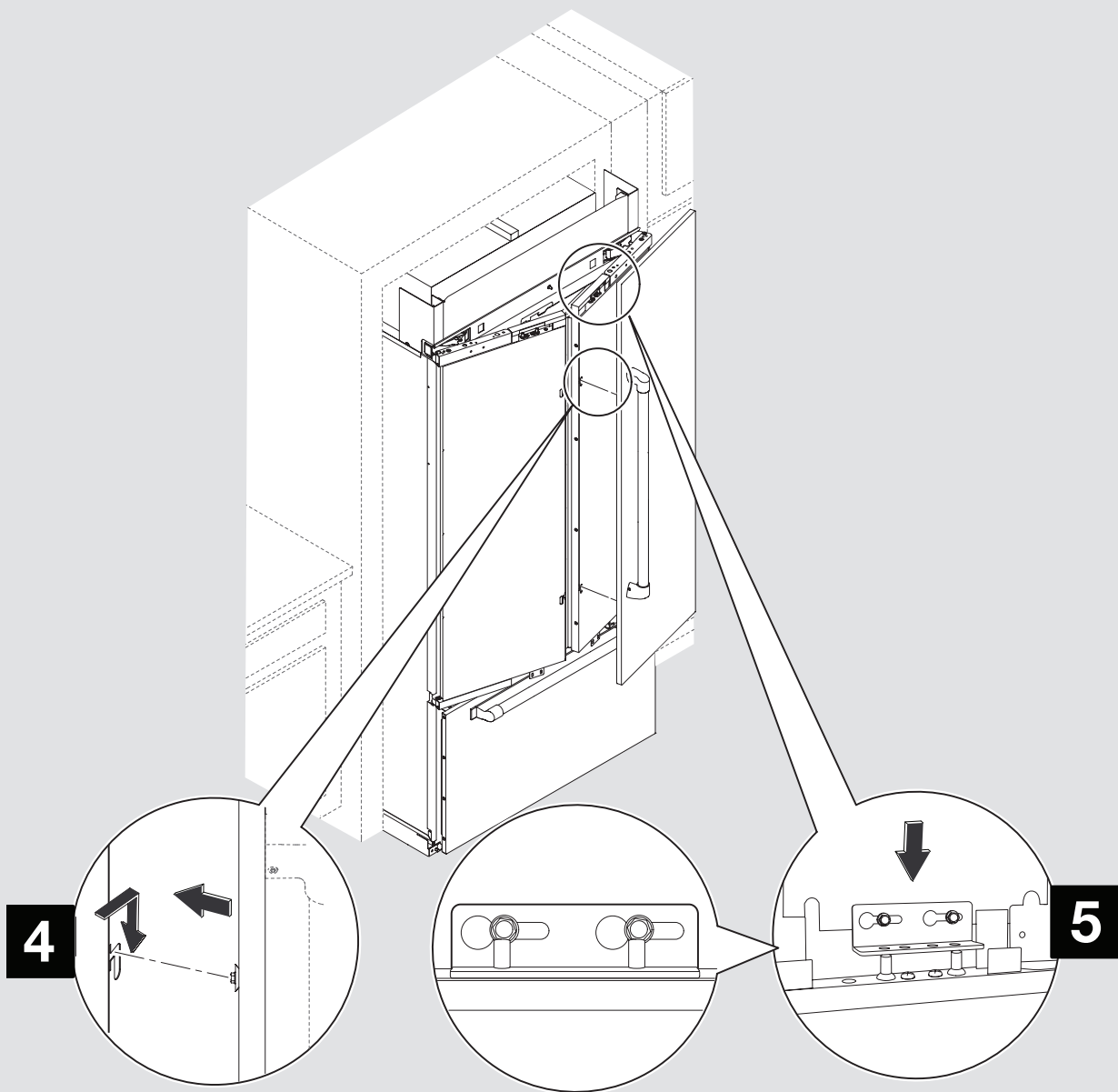


APPLIES TO: 

1. Open the door(s) and remove the hinge cover(s).  
**NOTE:** French door and bottom mount models have bottom hinge cover(s) that also must be removed.
2. Take out the door adjustment pin cover(s) to expose the adjustment pins.
3. Use foam packaging to prop and hold the door open while installing a door panel.

INSTALLATION

## INSTALLATION INSTALLING DOOR PANEL(S) (CONTD.)



### **⚠ WARNING**

#### **Excessive Weight Hazard**

**Use two or more people to move and install panels.**

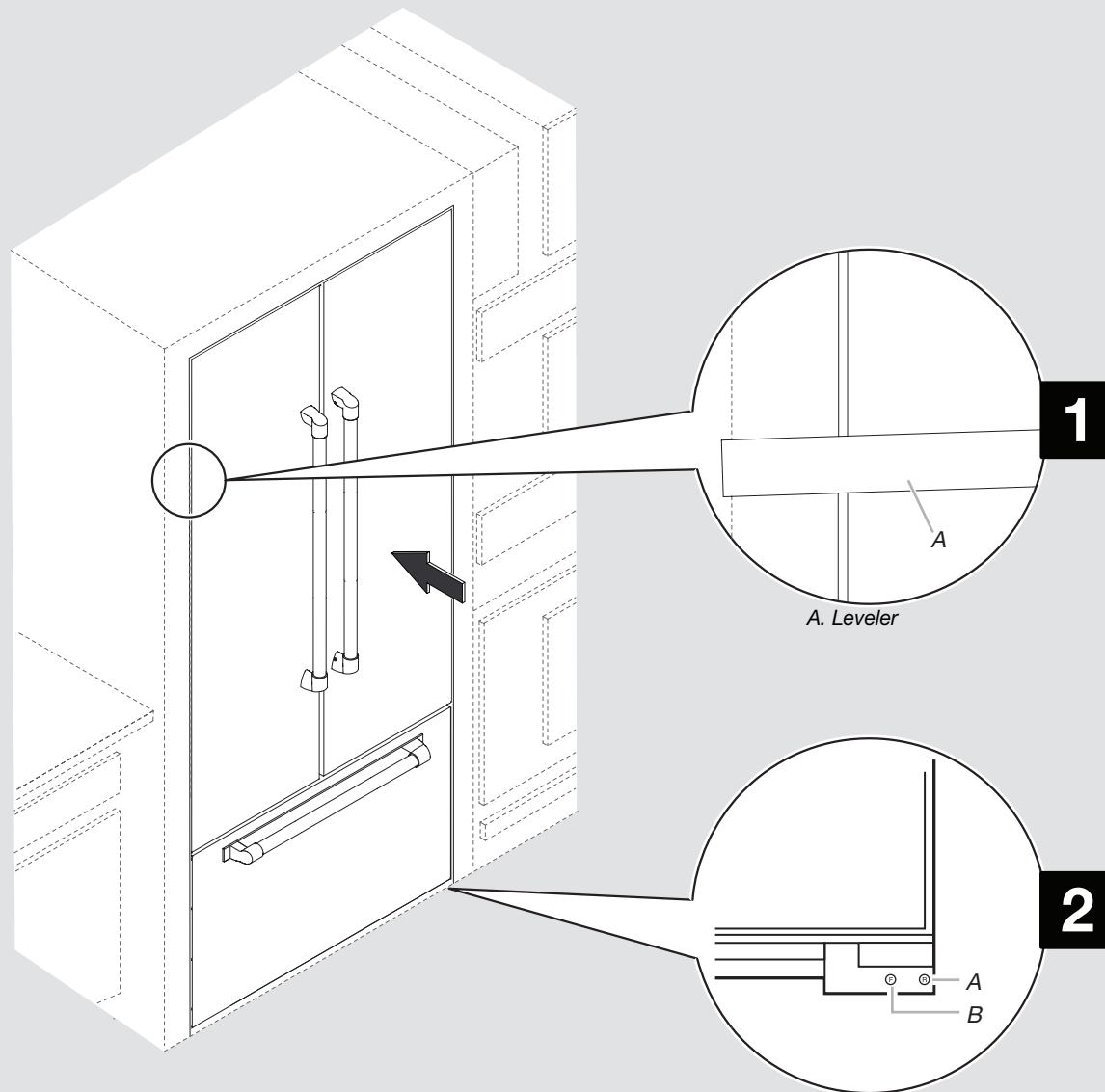
**Failure to do so can result in back or other injury.**

4. Align the two shoulder washers, on the back of the door panel, with the "J" slots on the side of the refrigerator door.
5. Simultaneously slide the panel onto the door, and lower the panel bracket down onto the adjustment pins at the top of the door.

**NOTE:** On French door and side by side models, repeat steps 2 through 5 to install the second door panel.

# INSTALLATION

## MOVING REFRIGERATOR TO FINAL POSITION



A. Rear leveling bolt      B. Front leveling bolt

APPLIES TO: 

### **⚠ WARNING**

#### **Excessive Weight Hazard**

**Use two or more people to move and install refrigerator.**

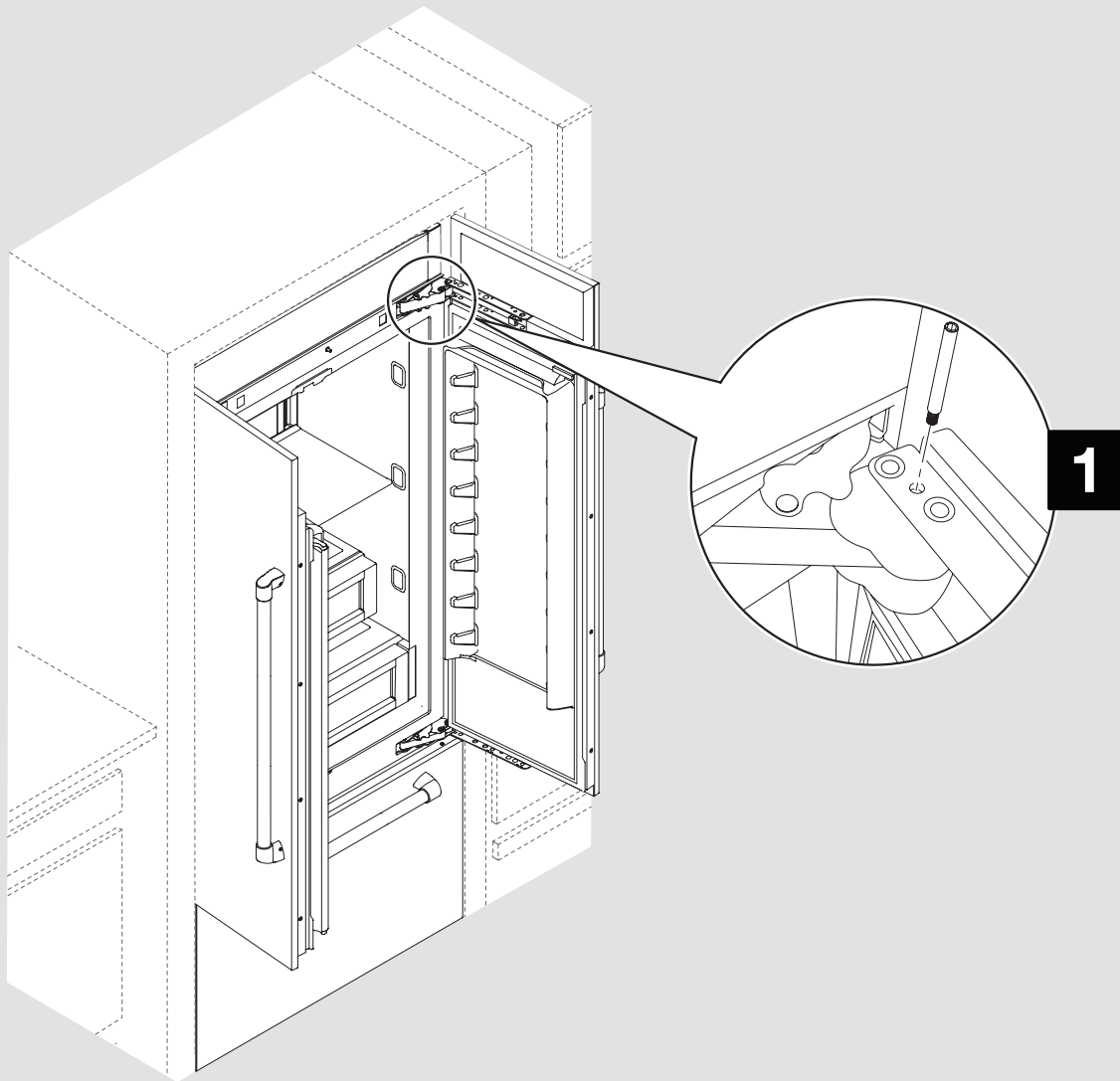
**Failure to do so can result in back or other injury.**

1. Gently push back the refrigerator into the cabinet so that all the panels flush with adjacent cabinets from all sides.
2. Use a 5/16" Nut driver to turn the leveling bolts clockwise to raise the refrigerator. Adjust the leveling bolts until the top of the refrigerator is making contact with the bottom of the solid soffit. If the anti-tip boards are used, adjust the leveling bolts until refrigerator top touches the bottom of the anti-tip boards. Do not crush unit housing cover.

**IMPORTANT:** After height adjustment, ensure refrigerator is perfectly leveled horizontally. And ensure panels are flushed with adjacent cabinets.

# INSTALLATION


## ADJUSTING DOOR SWING



APPLIES TO: 

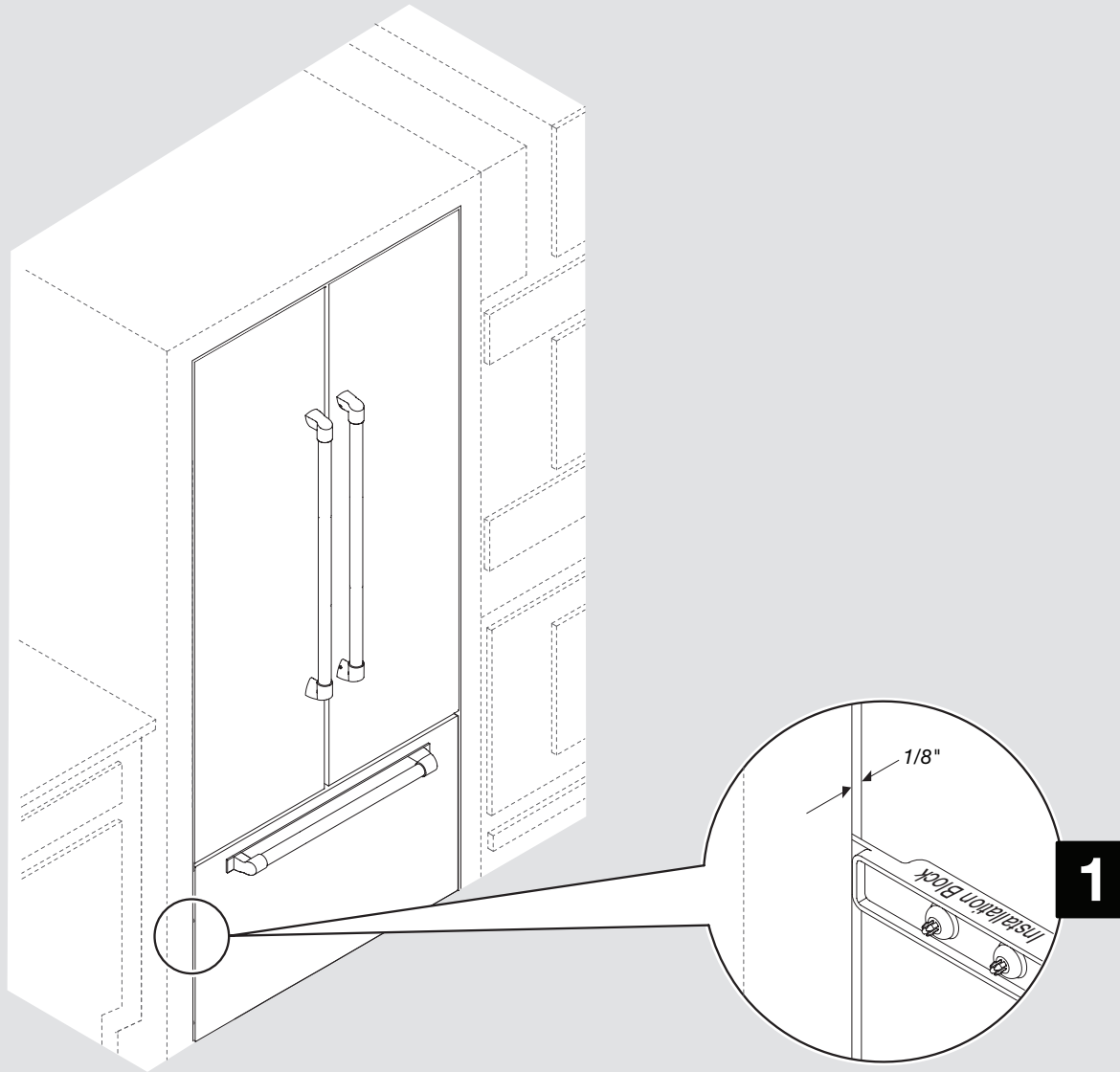
1. If the standard 110° door swing is too wide, install the door stop pin to allow for a maximum 90° door swing. Insert the door stop pin into the top hinge in the hole shown. Use a 5/32" hex key, to tighten door stop pin.

Parts to be used:

	Door stop pin (as required)
-------------------------------------------------------------------------------------	-----------------------------

# INSTALLATION

## ADJUSTING FREEZER PANEL



! FOR SIDE BY SIDE MODELS - SKIP THIS STEP

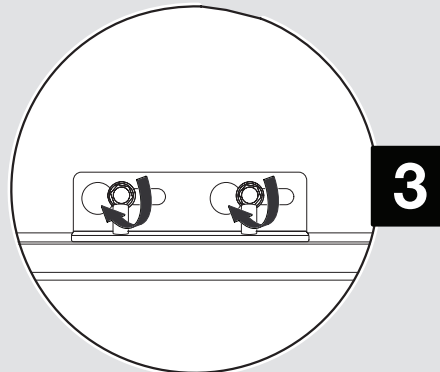
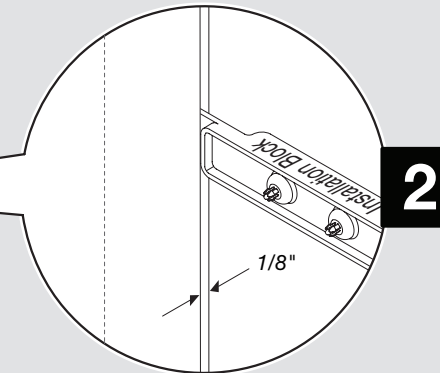
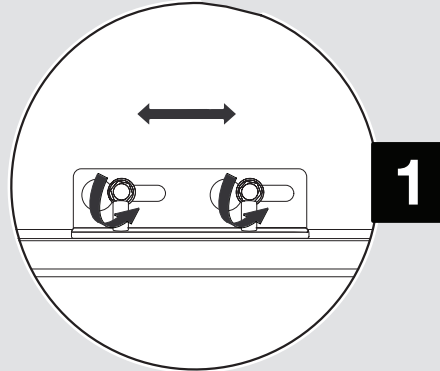
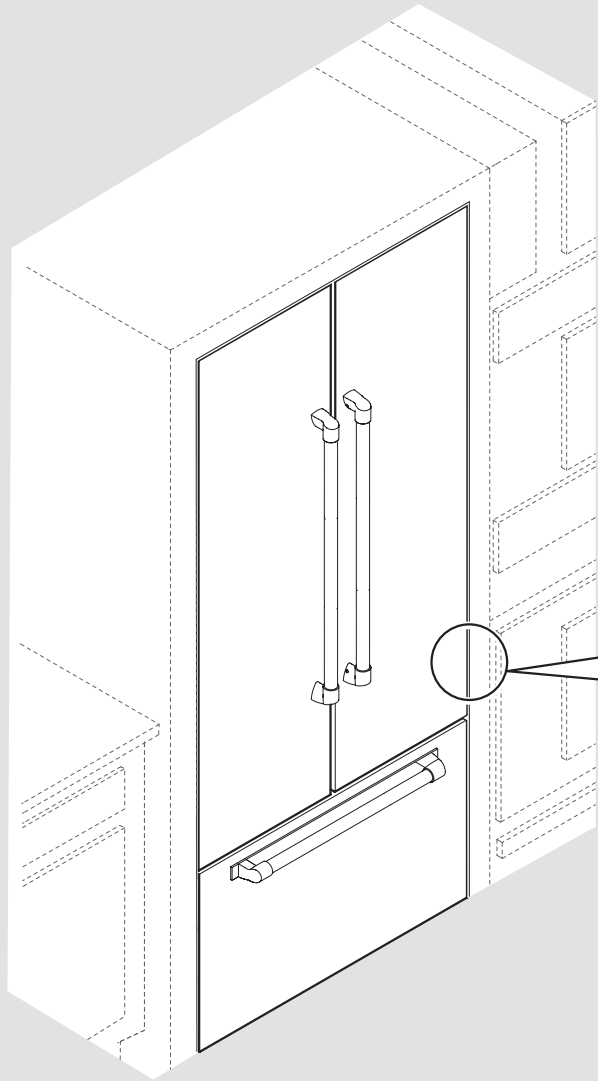
APPLIES TO: 

1. A 1/8" (3.2 mm) gap is required between the panel and adjacent cabinets. Use the installation block to measure the gaps.

INSTALLATION

# INSTALLATION

## ADJUSTING REFRIGERATOR PANEL(S)



APPLIES TO: 

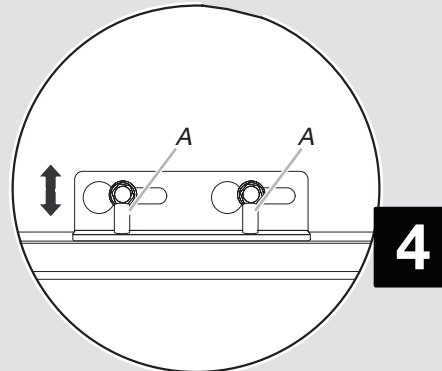
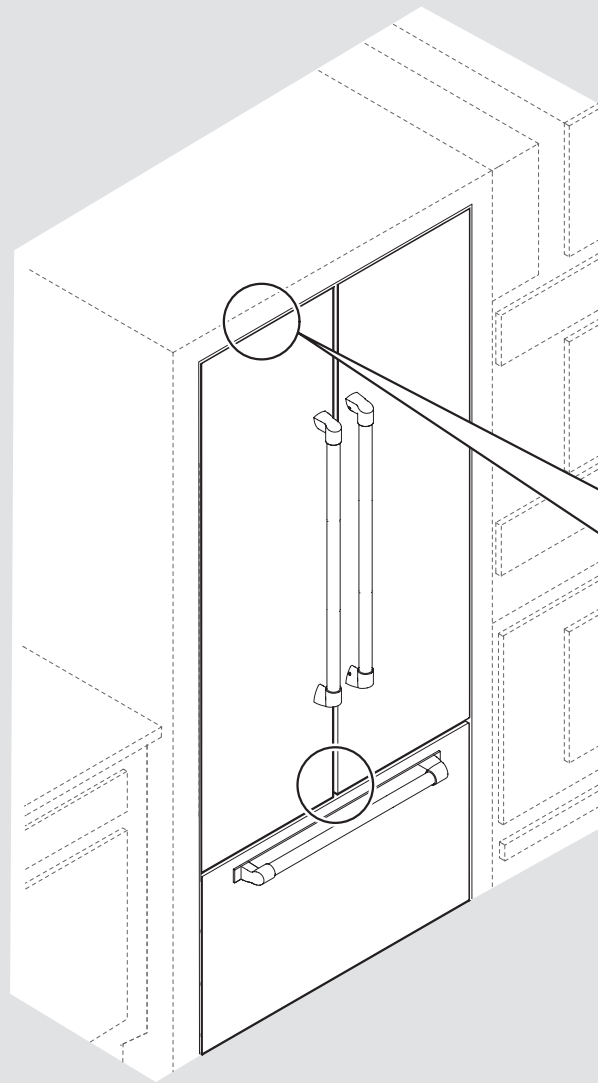
1. Slightly loosen the panel bracket screws to allow the panel to move to the left or right.
2. Adjust panels to achieve a 1/8" gap between panels and adjacent cabinets. For French door bottom mount and bottom mount models, align the outside edge of the refrigerator panel to the outside edge of the freezer panel on both the sides. For side by side models, align the refrigerator and freezer panels with adjacent cabinets.

**NOTE:** Adjust the panel not the door, if adjustments are needed to achieve alignment or required spacing.

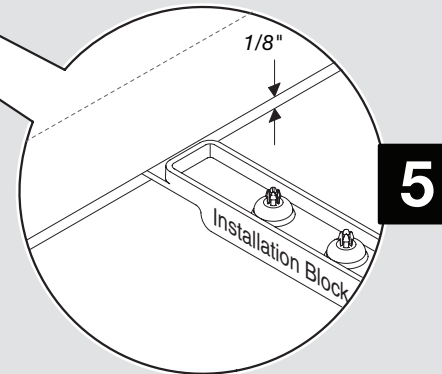
3. Tighten the panel bracket screws.

# INSTALLATION

## ADJUSTING REFRIGERATOR PANEL(S) (CONTD.)



A. Adjustment pin

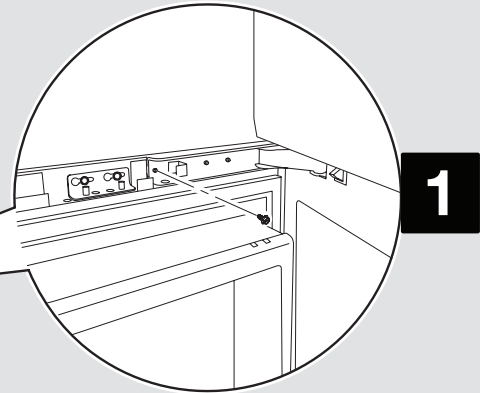
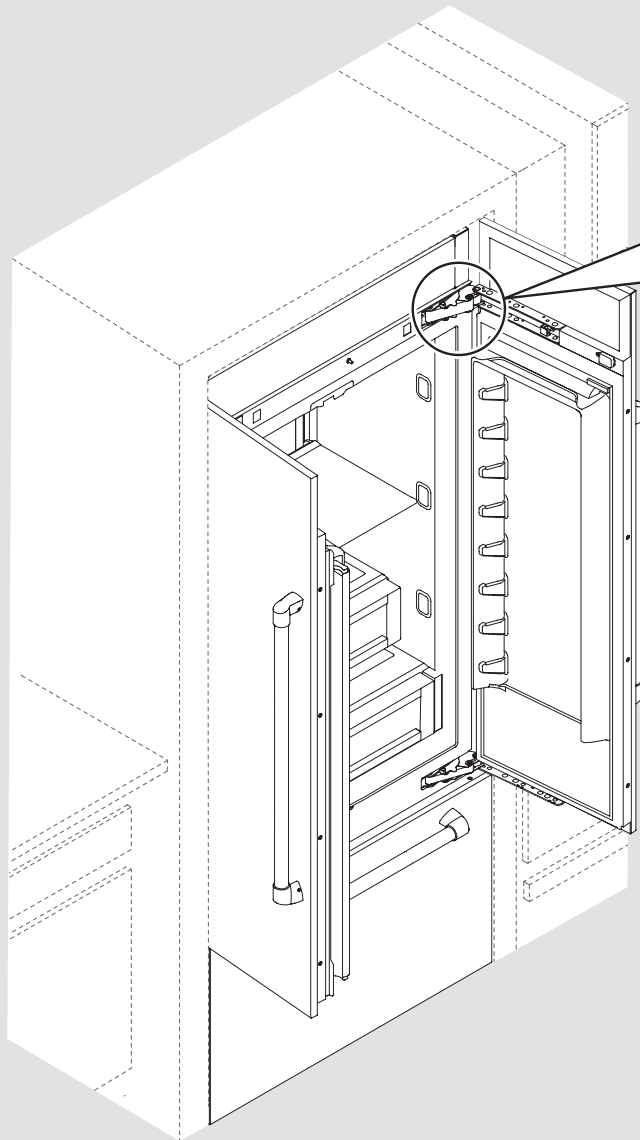


APPLIES TO: 

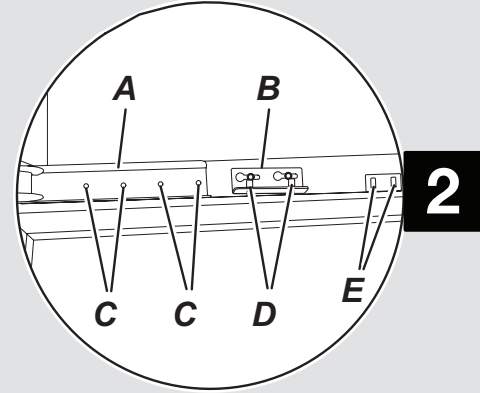
4. Use a 5/32" hex key to raise or lower the adjustment pins which allows the panel to move up or down.
5. A 1/8" (3.2 mm) space is required between panel(s) and bottom of the soffit.

# INSTALLATION

## ATTACHING PANEL(S)



**1**



**2**

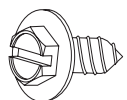
- A. Top hinge
- B. Mounting bracket
- C. Holes for screws
- D. Door adjustment pins
- E. Holes for screws  
(36" Bottom Mount models only)

APPLIES TO: 

1. Using the slotted hex-head screws, fasten the top and bottom hinges to the door panels. Fully tighten all door panel screws.

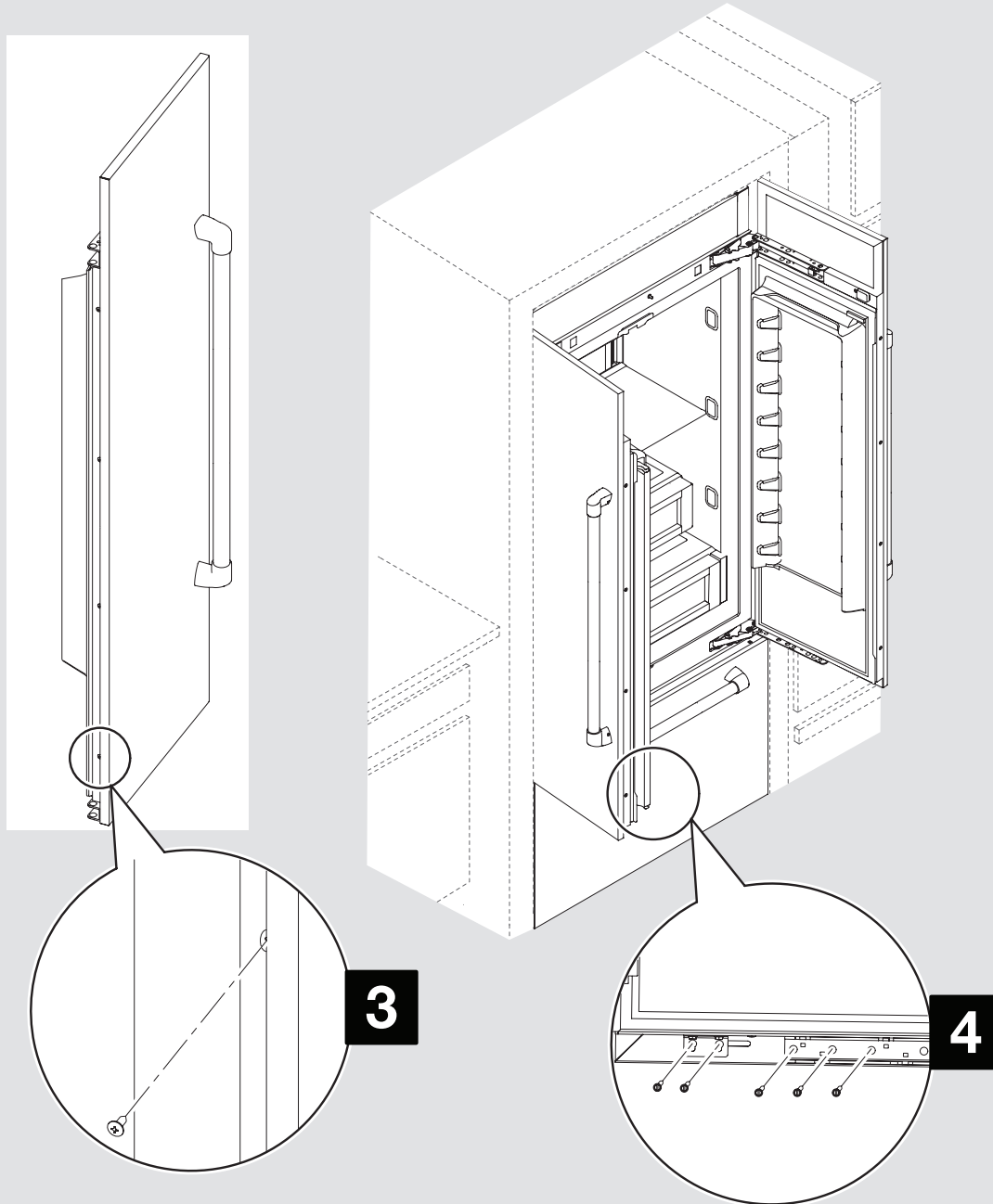
**NOTE:** Do not overtighten the screws, it may strip the panel.

2. 36" Bottom Mount models only - Use the hex head screws to fasten the panel to the additional door bracket.

Parts to be used:	
	Slotted hex-head screws (As required)

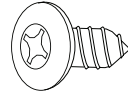
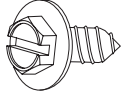
# INSTALLATION

## ATTACHING PANEL(S) (CONTD.)



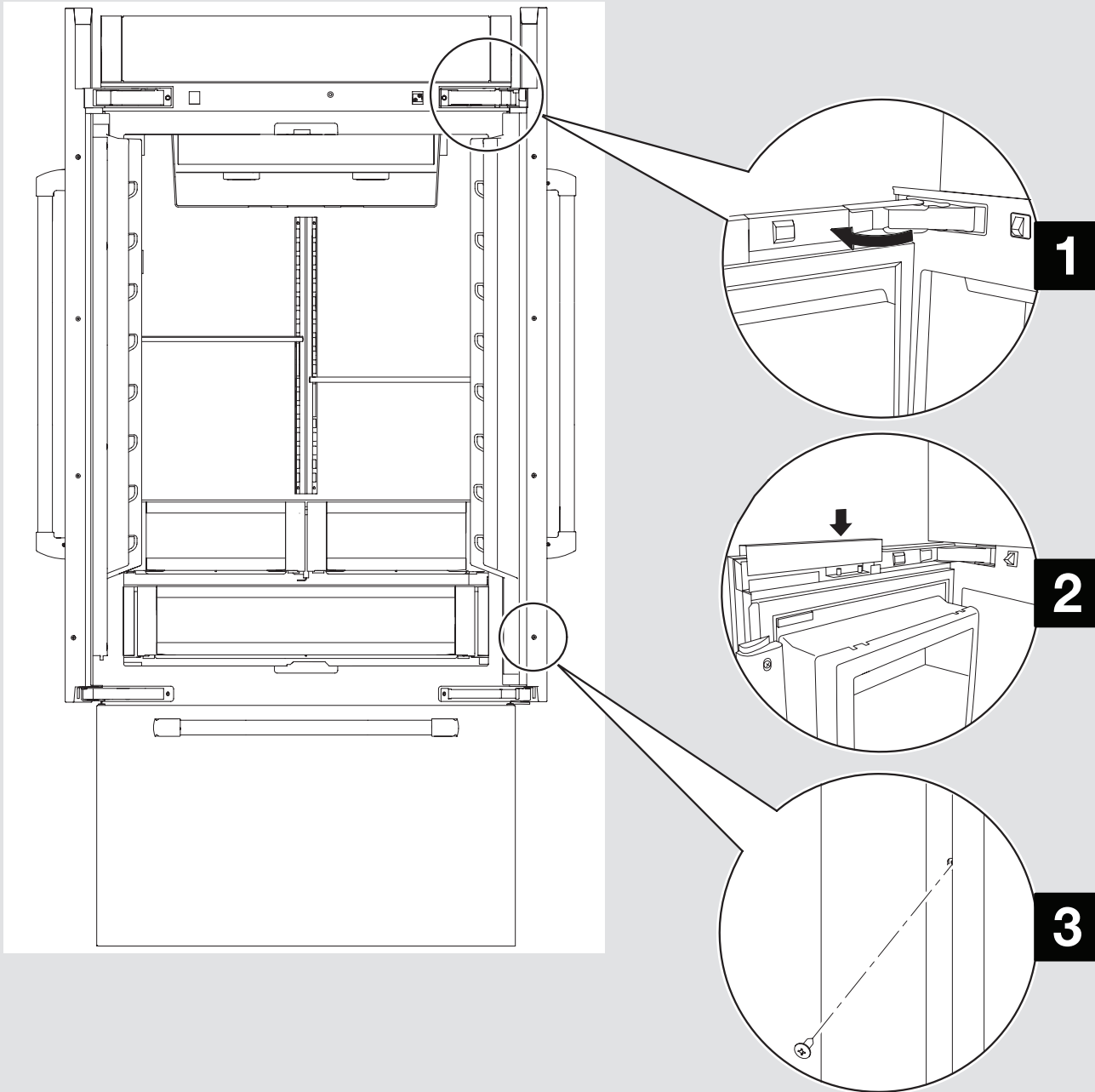
3. Use the Phillips-head screws to fasten the panel to the door on vertical hinge side.
4. Use slotted hex-head screws to attach the mounting bracket located at the bottom of the doors, to the door panels.

### Parts to be used:

	Phillips-head screws (As required)
	Slotted hex-head screws (As required)

# INSTALLATION

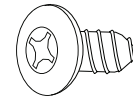
## COMPLETING THE INSTALLATION



APPLIES TO: 

1. Reinstall hinge cover(s).
2. Snap the door adjustment pin cover(s) into place.
3. Using the Phillips-head screws, attach the handle side trim pieces (shipped with the refrigerator) to the doors.

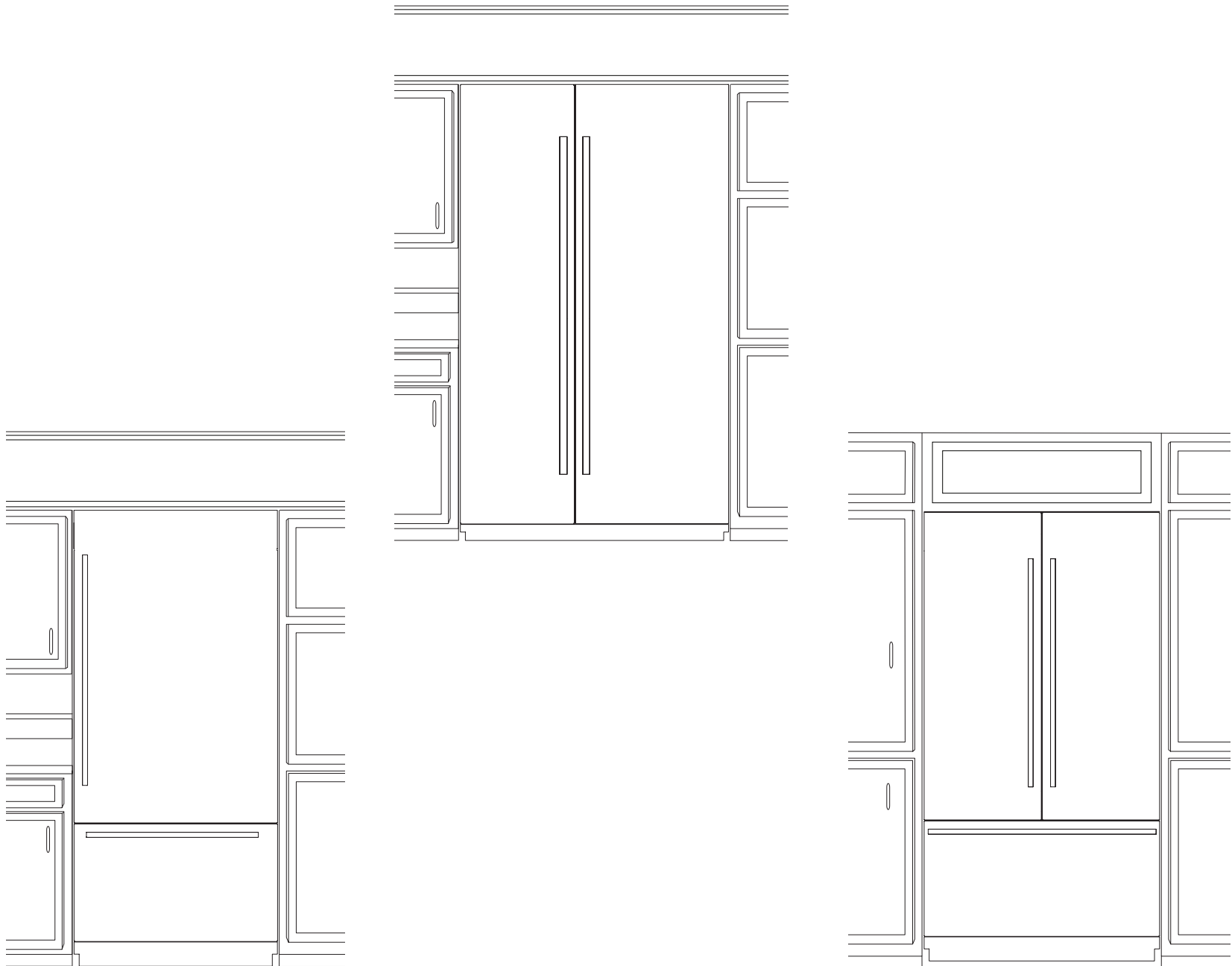
Parts to be used:



Phillips-head screws  
(As required)



# TROUSSE DE PORTE PLEINE GRANDEUR POUR RÉFRIGÉRATEUR ENCASTRÉ



# INTRODUCTION

## SÉCURITÉ

### Votre sécurité et celle des autres est très importante.

Nous donnons de nombreux messages de sécurité importants dans ce manuel et sur votre appareil ménager. Assurez-vous de toujours lire tous les messages de sécurité et de vous y conformer.



Voici le symbole d'alerte de sécurité.

Ce symbole d'alerte de sécurité vous signale les dangers potentiels de décès et de blessures graves à vous et à d'autres.

Tous les messages de sécurité suivront le symbole d'alerte de sécurité et le mot "DANGER" ou "AVERTISSEMENT". Ces mots signifient :

**⚠ DANGER**

**Risque possible de décès ou de blessure grave si vous ne suivez pas immédiatement les instructions.**

**⚠ AVERTISSEMENT**

**Risque possible de décès ou de blessure grave si vous ne suivez pas les instructions.**

Tous les messages de sécurité vous diront quel est le danger potentiel et vous disent comment réduire le risque de blessure et ce qui peut se produire en cas de non-respect des instructions.

# INTRODUCTION

## TABLE DES MATIÈRES

### INTRODUCTION

Sécurité .....	27
Enregistrement de votre produit.....	28
Identification du produit .....	28

### PRÉPARATION DU SITE

Avant l'installation .....	29
Outils et pièces nécessaires.....	29
Outils et pièces fournis.....	29
Pièces fournies avec le réfrigérateur .....	30
Exigences d'installation.....	31
Planification de l'installation.....	31
Exigences d'ouverture.....	31
Options d'installation de l'armoire et du panneau .....	31
Dimensions de l'ouverture à découper dans l'armoire.....	32
Exigences de circulation d'air .....	32
Dimensions du panneau.....	33

### INSTALLATION

Installer le support de grille .....	34
Installation du séparateur d'air en mousse ...	35
Installation du panneau de grille.....	36
Retirer la pellicule des panneaux .....	37
Installation du panneau de congélateur .....	38
Installation des panneaux de porte .....	39
Déplacement du réfrigérateur à l'emplacement final .....	41
Ajuster l'ouverture de la porte .....	42
Ajuster le panneau de congélateur.....	43
Ajuster le panneau de réfrigérateur .....	44
Fixer les panneaux .....	46
Terminer l'installation.....	48

# INTRODUCTION

## ENREGISTREMENT

### ENREGISTREMENT DE VOTRE PRODUIT

Accédez à notre service à la clientèle de niveau concierge en enregistrant votre appareil. Nous simplifions l'enregistrement des produits afin que vous puissiez commencer à utiliser vos avantages Jenn-Air exclusifs aujourd'hui.

L'enregistrement de votre appareil vous permet de :

- **Rendre plus simple votre service de garantie**

Si nous disposons des informations sur votre produit, nous pouvons vous aider plus rapidement.

- **Protéger votre achat**

En cas de perte d'assurance, comme lors d'un incendie, d'une inondation ou d'un vol, l'enregistrement de votre produit pourrait servir de preuve d'achat.

- **Garder votre famille en sécurité.**

Nous vous informerons dans le cas rare d'une notification de sécurité.

Commencez à profiter de ces avantages aujourd'hui en vous connectant en ligne pour enregistrer votre produit au [jennair.com/customer-care](http://jennair.com/customer-care). Au Canada, enregistrer votre produit sur [jennair.ca](http://jennair.ca).

### IDENTIFICATION DU PRODUIT

L'identification de votre produit, qui comprend le modèle et les numéros de série, figure sur la plaque signalétique du produit.

L'enregistrement des informations suivantes nous permet de vous aider plus facilement si votre appareil doit être réparé par un de nos fournisseurs de services agréés Jenn-Air.

**Numéro de modèle :** \_\_\_\_\_

**Numéro de série :** \_\_\_\_\_

**Date d'installation :** \_\_\_\_\_

**Marchand autorisé :** \_\_\_\_\_

**No de téléphone du marchand autorisé :** \_\_\_\_\_

# PRÉPARATION DU SITE AVANT L'INSTALLATION

## IMPORTANT :

- Ces instructions ne constituent qu'un guide général et ne peuvent en aucun cas être substituées aux prescriptions d'un code national ou local applicable. Avant d'entreprendre l'installation, on doit déterminer les critères de conformité de l'installation aux prescriptions de tout code national, provincial ou local.
- Ces instructions complètent les instructions d'installation fournies avec le réfrigérateur, mais ne les remplacent pas. Suivre les instructions fournies avec le réfrigérateur pour l'installer dans l'armoire.

**REMARQUE :** Le sachet de quincaillerie contient toutes les pièces et fixations nécessaires pour monter des panneaux. La plupart de ces composants ont été préinstallés sur les panneaux de cet ensemble. Un sachet de quincaillerie est fourni avec le réfrigérateur. Il se trouve dans l'un des bacs à légumes ou est fixé à l'extérieur de l'une des portes du réfrigérateur.

### ▲ MISE EN GARDE

#### Risque de pincement

L'installation de panneaux de porte avec un espacement de moins de 3/8 po (0,95 cm) entre le panneau de porte et l'armoire adjacente augmente le risque de pincement.

## OUTILS ET PIÈCES NÉCESSAIRES

Réunir les outils et pièces nécessaires avant de commencer l'installation. Lire et suivre les instructions fournies avec chacun des outils mentionnés dans cette liste. C'est à l'utilisateur qu'incombe la responsabilité de réaliser une installation correcte.

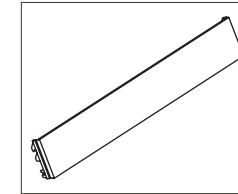
### Outils requis :

- Perceuse sans fil et forets
- Clés plates de 3/8 po et 1/2 po ou deux clés à molette
- Tournevis cruciforme
- Petit niveau
- Chariot pour appareil ménager
- Clés hexagonales de 3/32 po, 5/32 po et 3/16 po
- Tournevis à douille de 1/4 po et 5/16 po
- Prolongateur de tournevis à douille de 6 po
- Ruban à mesurer

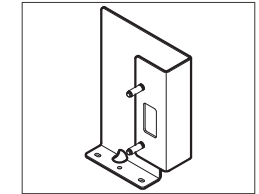
## OUTILS ET PIÈCES FOURNIS

### Pièces fournies avec l'ensemble de panneaux :

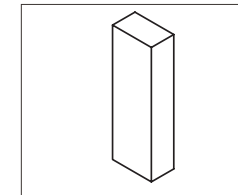
- Panneaux de portes extérieures équipés des poignées et de la quincaillerie de montage.
- Instructions



Panneau de la grille



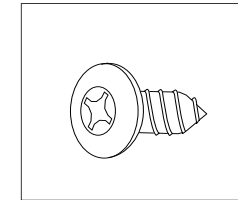
Support de grille



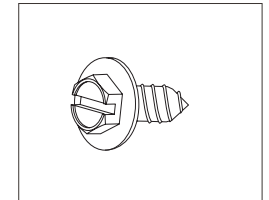
Séparateur d'air en mousse

### Pièces fournies avec le réfrigérateur

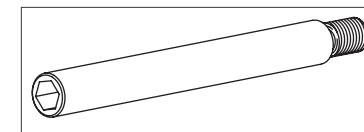
(nécessaires pour installer la trousse de panneau) :



Vis à tête plate  
cruciforme  
noire : 8281252



Vis à tête hexagonale  
fendue  
W10141645

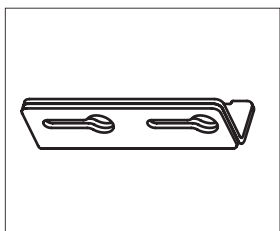


Goupille de butée  
W10234202

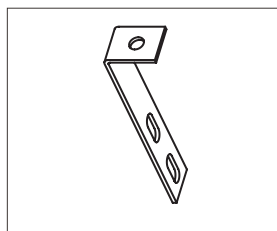
## PRÉPARATION DU SITE AVANT L'INSTALLATION (SUITE)

### PIÈCES FOURNIES AVEC LE RÉFRIGÉRATEUR

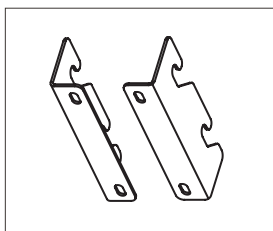
Les pièces suivantes ne sont pas nécessaires pour monter les panneaux de cet ensemble ou sont déjà montées sur les panneaux. Ces pièces peuvent être mises au rebut une fois l'installation terminée :



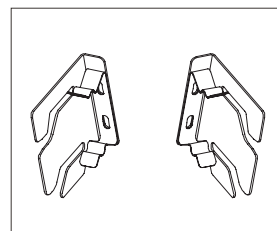
**Support supérieur pour panneau noir**  
W10667450



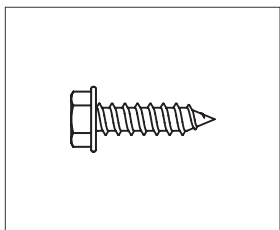
**Supports en "L"**  
W10234199



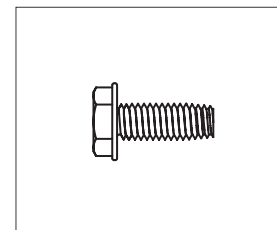
**Support de grille standard**  
W10182743 (gauche)  
W10172741 (droit)



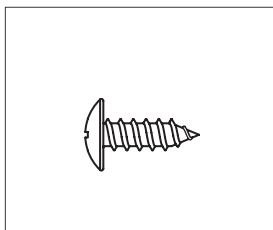
**Support de grille intégrée**  
W10260890 (gauche)  
W10260891 (droit)



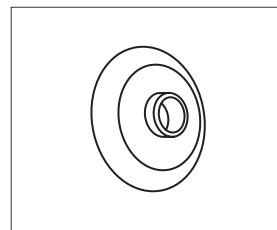
**Vis pointue à tête hexagonale**  
W10141189



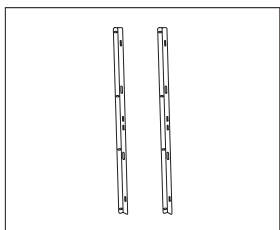
**vis à tête hexagonale**  
W10142233



**Vis à tête bombée**  
1163283



**Rondelle à épaulement**  
W10471946



**Supports de panneau du congélateur**  
W10606815

# PRÉPARATION DU SITE

## EXIGENCES D'INSTALLATION

### PLANIFICATION DE L'INSTALLATION

#### IMPORTANT :

Planifier l'installation à l'aide de ces instructions, accompagnées des instructions d'installation fournies avec le réfrigérateur. Des modifications doivent être apportées au réfrigérateur pour accueillir les panneaux de porte pleine grandeur.

#### Pièces nécessaires

- L'un des modèles de réfrigérateur encastré suivants :

Côte à côte de 42 po : JS42NFXDE

Côte à côte de 48 po : JS48NFXDE

Réfrigérateur de 36 po avec congélateur en bas : JB36NFXLE, JB36NFXRE

Réfrigérateur de 36 po avec congélateur en bas et porte à double battant : JF36NFXDE

Réfrigérateur de 42 po avec congélateur en bas et porte à double battant : JF42NFXDE

- Trousse de panneaux pleine grandeur en acier avec poignées et accessoires (comprend le panneau de la grille et le support de grille).

### EXIGENCES D'OUVERTURE

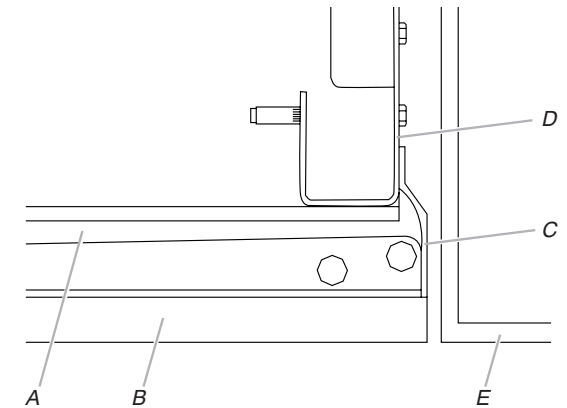
#### IMPORTANT :

- La largeur de l'ouverture d'encastrement d'un côté à l'autre doit être telle que spécifiée par le modèle concerné, pour au moins 3 po (7,62 cm) en retrait de l'avant du meuble. Si l'ouverture d'encastrement ne respecte pas cette condition, des modifications devront être apportées.
- La profondeur de l'ouverture de l'avant du meuble jusqu'au mur arrière doit être de 25 po (63,5 cm) au moins pour une installation en affleurement.

### OPTIONS D'INSTALLATION DE L'ARMOIRE ET DU PANNEAU

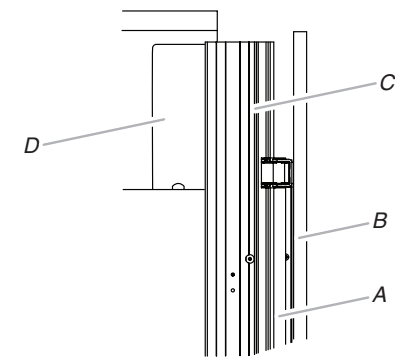
Profondeur de l'armoire – 25 po (63,5 cm)

#### Support de grille – vue de dessus



A. Porte du réfrigérateur  
B. Panneau de porte pleine grandeur  
C. Garniture latérale  
D. Support de grille  
E. Armoire adjacente

#### Support de grille – vue de côté



A. Porte du réfrigérateur  
B. Panneau de porte pleine grandeur  
C. Garniture latérale  
D. Support de grille

# PRÉPARATION DU SITE

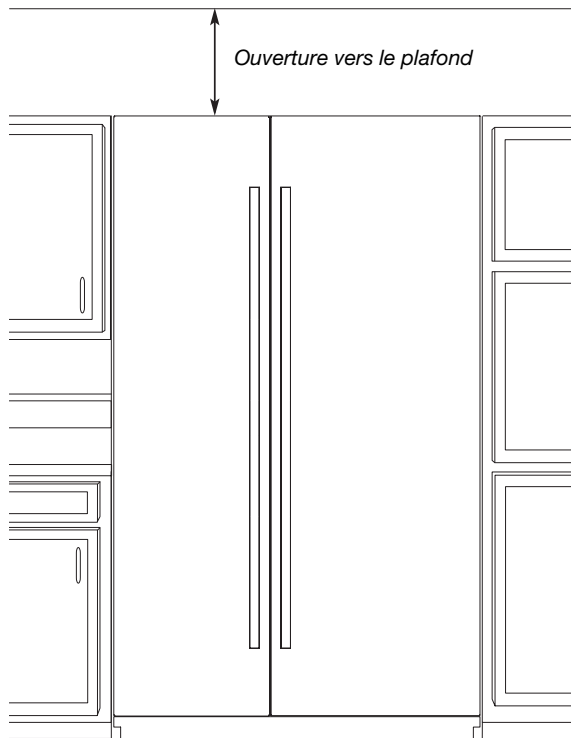
## DIMENSIONS DE L'OUVERTURE À DÉCOUPER DANS L'ARMOIRE

### EXIGENCES DE CIRCULATION D'AIR

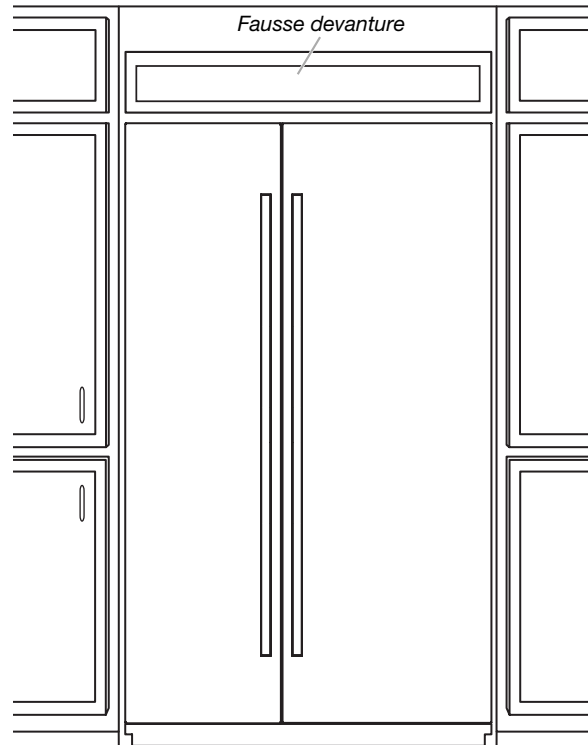
#### IMPORTANT :

- Les installations avec panneau de porte pleine grandeur nécessitent un dégagement minimum de 1/8 po (3,2 mm) au-dessus du réfrigérateur. Cet espace ne devrait pas être bloqué, notamment par d'éventuels soffites.
- Les modèles peuvent être installés en utilisant l'option 1, 2 ou 3.

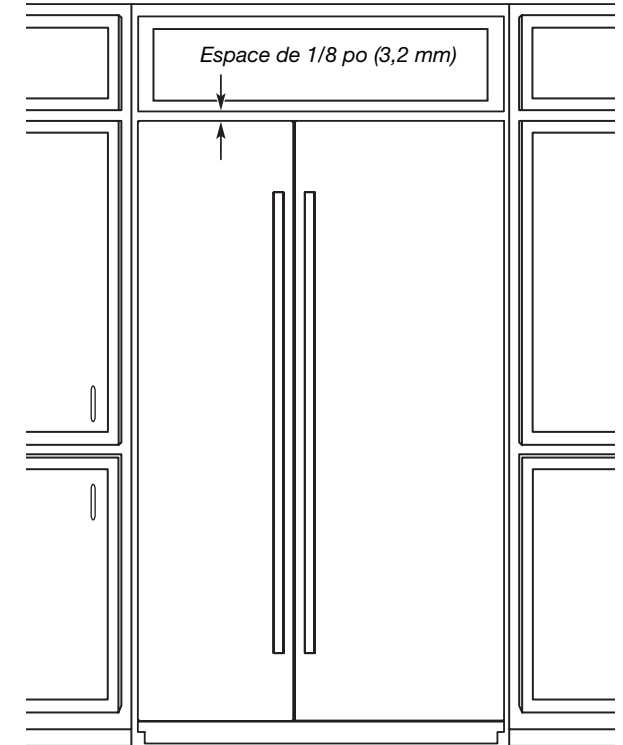
Option 1 – Ouverture vers le plafond



Option 2 – Avant décoratif  
(façade de meuble uniquement)



Option 3 – Soffite fermé

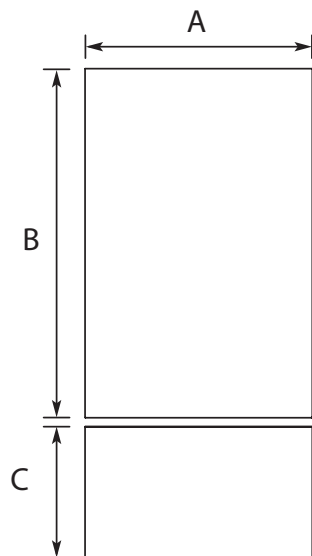


# PRÉPARATION DU SITE

## DIMENSIONS DU PANNEAU

MODÈLE AVEC CONGÉLATEUR SUPERPOSÉ

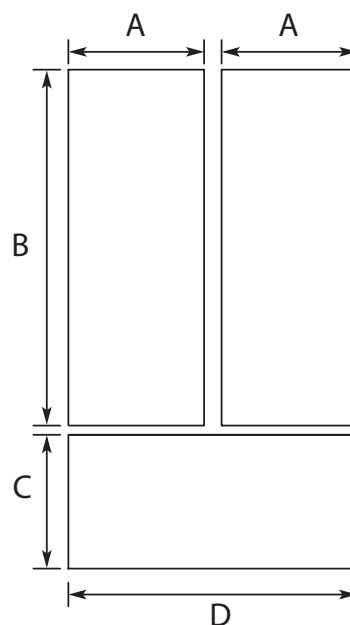
! Poids maximum du panneau : 46 lb (20,9 kg)



Légende	Modèle	Dimension
A	36 po	35 3/4 po (90,61 cm)
B	36 po	59 1/8 po (150,2 cm)
C	36 po	20 1/2 po (52,07 cm)

MODÈLES DE RÉFRIGÉRATEUR AVEC CONGÉLATEUR EN BAS ET PORTE À DOUBLE BATTANT

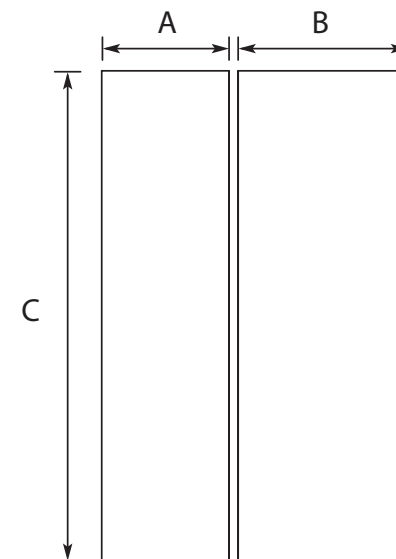
! Poids maximum du panneau : 34 lb (15,5 kg)



Légende	Modèle	Dimension
A	36 po	17 3/4 po (45,09 cm)
B		59 1/8 po (150,2 cm)
C		20 1/2 po (52,07 cm)
D		35 3/4 po (90,61 cm)
A	42 po	20 3/4 po (52,71 cm)
B		59 1/8 po (150,2 cm)
C		20 1/2 po (52,07 cm)
D		41 3/4 po (105,85 cm)

MODÈLES CÔTE À CÔTE

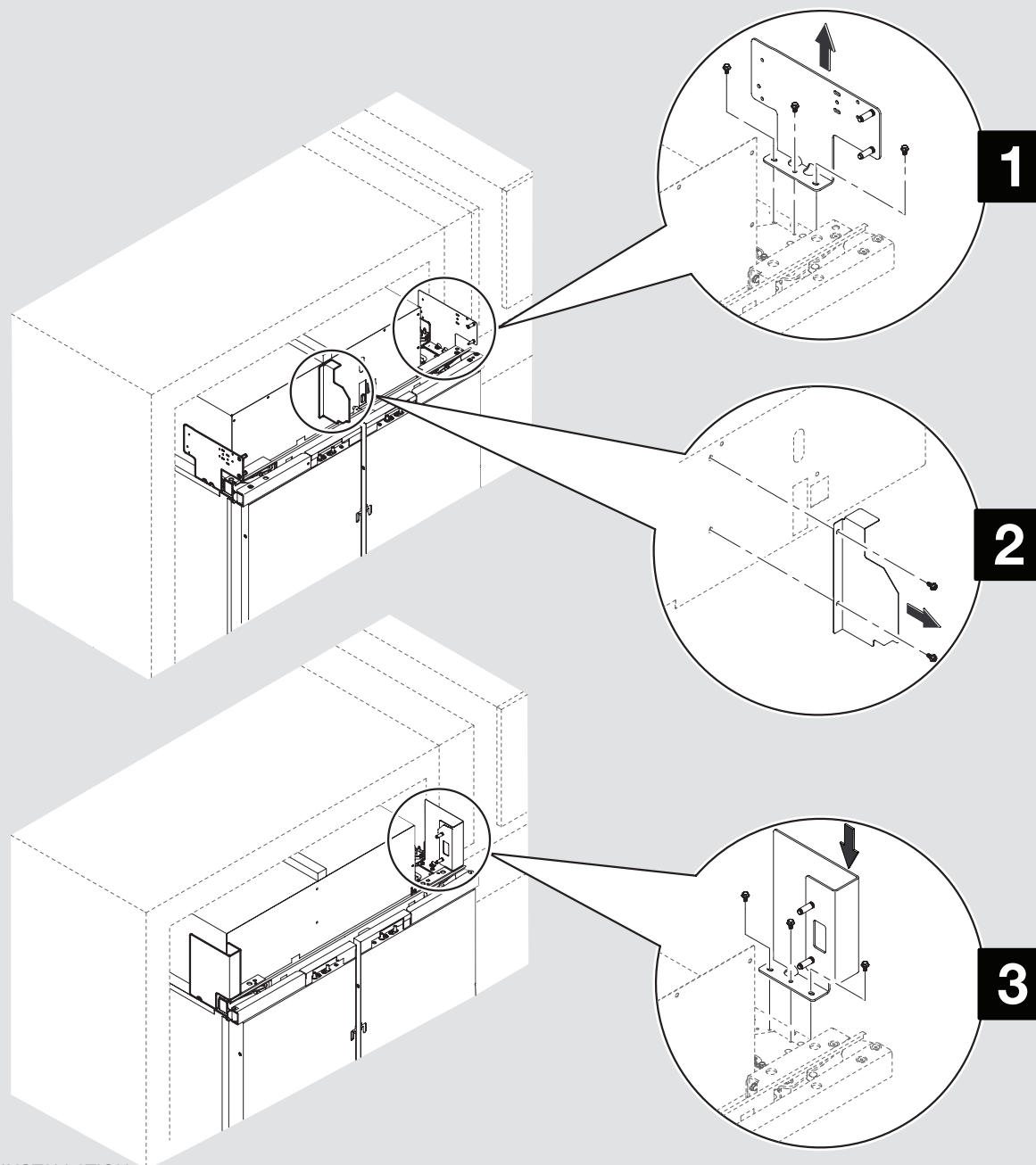
! Poids maximum du panneau : 48 lb (21,7 kg)



Légende	Modèle	Dimension
A	42 po	17 3/4 po (45,14 cm)
B		23 3/4 po (60,38 cm)
C	48 po	81 po (205,7 cm)
A		20 1/4 po (51,49 cm)
B		27 1/4 po (69,27 cm)
C		81 po (205,7 cm)

# INSTALLATION

## INSTALLER LE SUPPORT DE GRILLE



POUR :

### **⚠ AVERTISSEMENT**

#### **Risque du poids excessif**

**Utiliser deux ou plus de personnes pour déplacer et installer le réfrigérateur.**

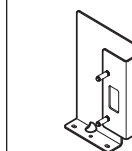
**Le non-respect de cette instruction peut causer une blessure au dos ou d'autre blessure.**

**REMARQUE :** Si le réfrigérateur n'est pas sur roulettes, il est recommandé d'abaisser le produit pour avoir un meilleur accès au haut de l'appareil pendant l'installation du panneau. Pour faciliter l'installation de la grille, il est recommandé de sortir le produit de l'armoire.

1. Retirer les trois vis fixant chaque plaque de montage au haut du réfrigérateur sur chaque côté. Jeter les plaques de montage, mais conserver les vis pour fixer les deux supports de grille fournis dans cet ensemble.
2. Retirer les deux vis fixant le séparateur d'air au compartiment de l'appareil. Jeter les séparateurs d'air et replacer les vis dans les trous respectifs.
3. Aligner les trois trous de l'assemblage de supports de grille avec les trois trous du côté de l'armoire, comme indiqué. Utiliser les vis retirées à l'étape 1 et fixer le support de grille.
4. Répéter l'étape 3 pour installer l'autre support de grille sur le côté opposé du réfrigérateur.

**IMPORTANT :** Installer les panneaux de porte pleine grandeur avant d'enlever les deux supports de grille déjà en place peut endommager les panneaux.

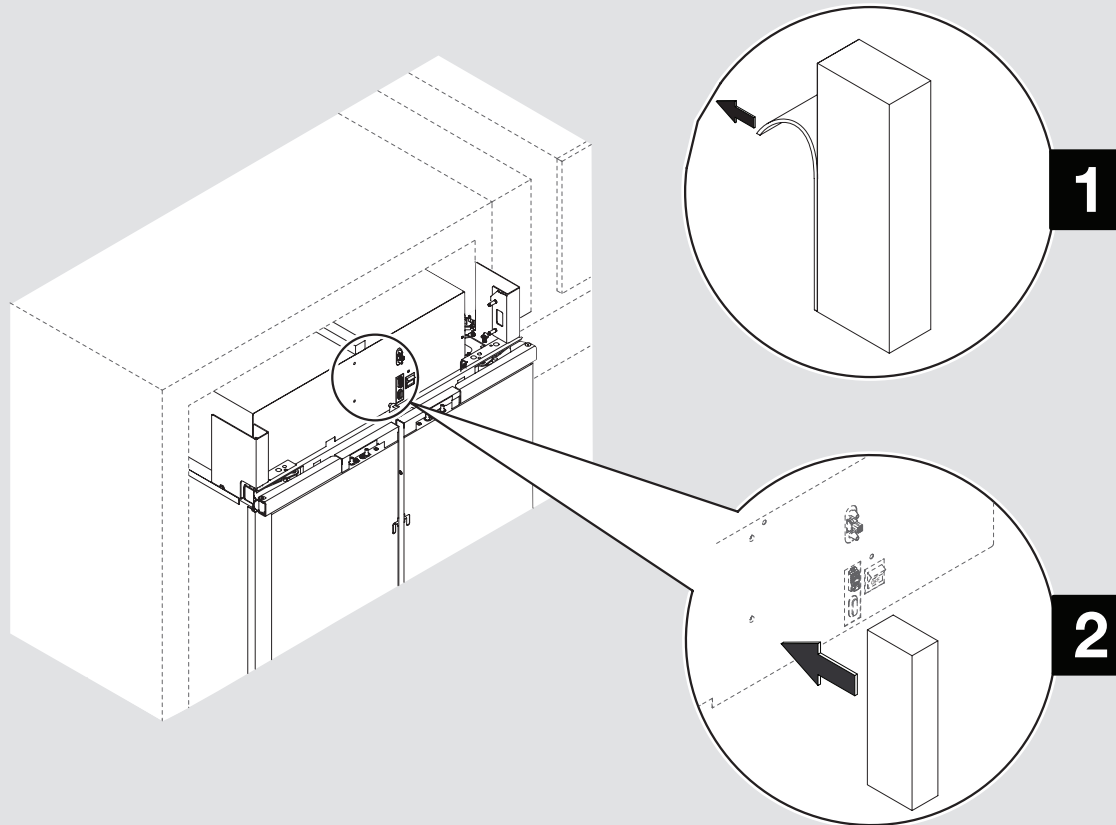
Pièces à utiliser :



2 supports de grille

# INSTALLATION

## INSTALLATION DU SÉPARATEUR D'AIR EN MOUSSE



! Aligner la base du séparateur d'air en mousse avec la base du logement de l'appareil

POUR :

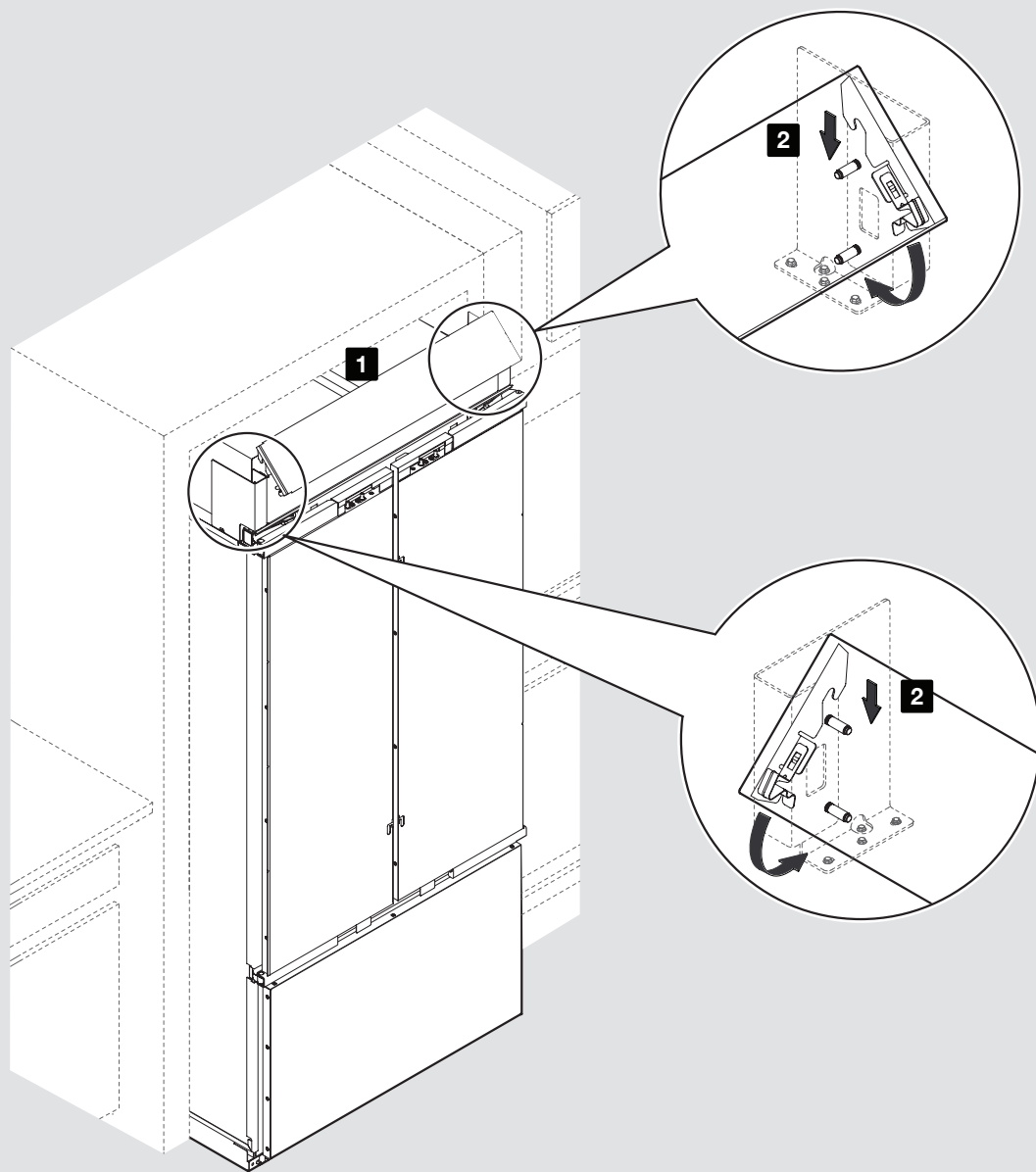
1. Enlever le protecteur en papier du séparateur d'air en mousse pour mettre à nu la pellicule collante.
2. Coller le séparateur d'air en mousse au compartiment de l'appareil où le séparateur d'air en métal était installé en appliquant une pression uniforme.

Pièces à utiliser :	
	1 séparateur d'air en mousse

INSTALLATION

# INSTALLATION

## INSTALLATION DU PANNEAU DE GRILLE

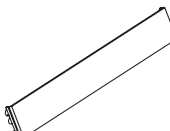


POUR : 

1. Positionner le panneau de grille entre les supports de grille situés de chaque côté de l'armoire.
2. Accrocher le haut de la grille sur les rivets-goupilles. Faire tourner vers le bas et pousser le bas du panneau de la grille dans l'appareil jusqu'à ce que le panneau de la grille s'emboîte.

**REMARQUE :** Pour enlever le panneau de la grille, pousser le haut du panneau de la grille vers l'intérieur jusqu'à ce que la partie inférieure se déboîte. Faire tourner et soulever le panneau de la grille.

Pièces à utiliser :

	<p>1 panneau de la grille</p>
-------------------------------------------------------------------------------------	-------------------------------

# INSTALLATION

## RETIRER LA PELLICULE DES PANNEAUX



1

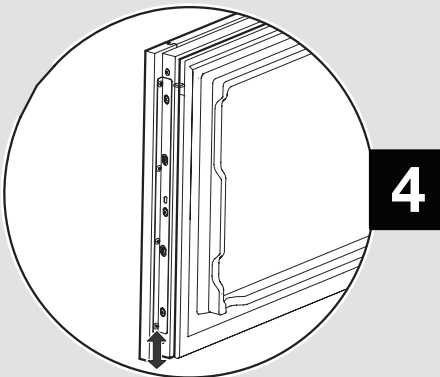
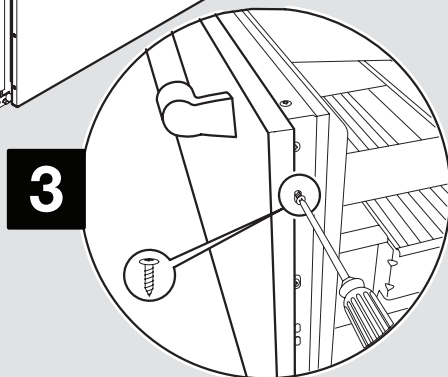
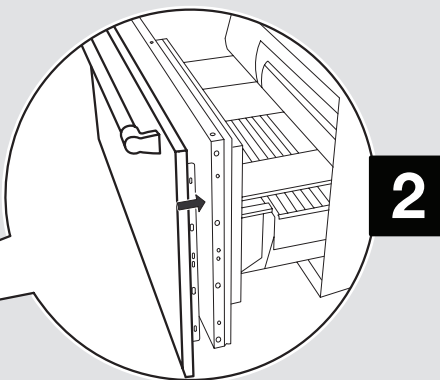
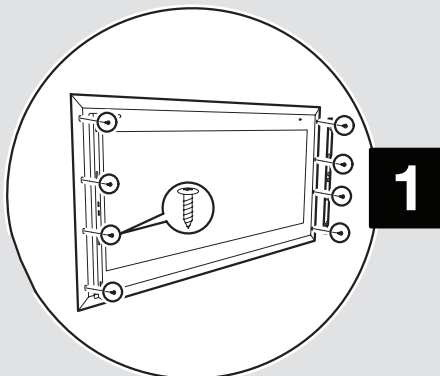
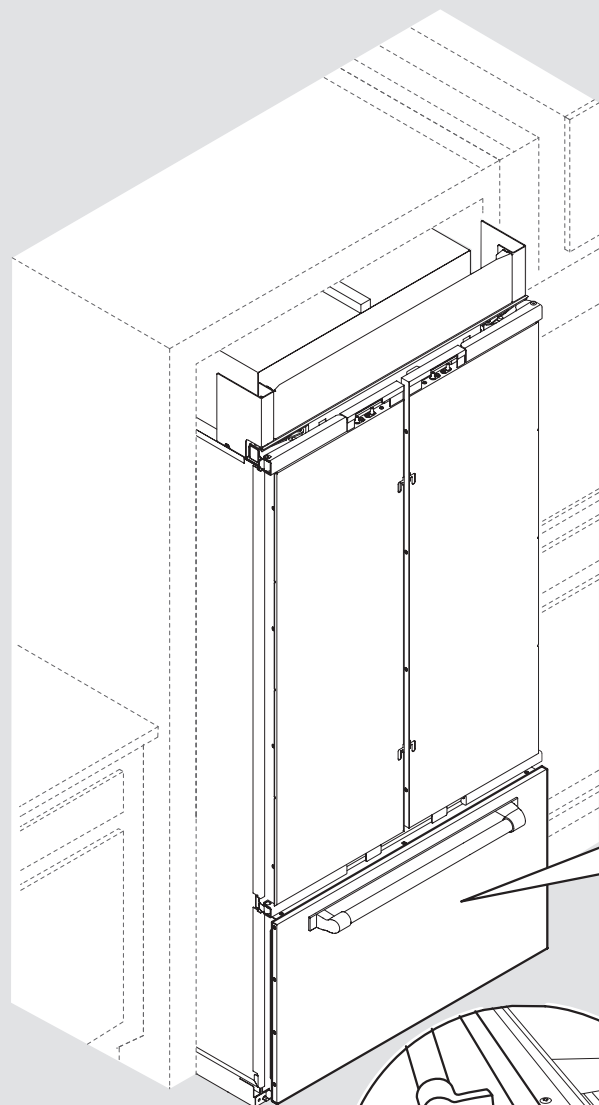
POUR : 

1. Retirer la pellicule couvrant les panneaux de portes/tiroirs.

**REMARQUE :** Manipuler les panneaux avec attention une fois le film enlevé pour éviter de les endommager ou de les rayer.

# INSTALLATION

## INSTALLATION DU PANNEAU DE CONGÉLATEUR

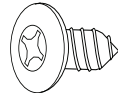


! POUR LES MODÈLES CÔTE À CÔTE – PASSER CETTE ÉTAPE

POUR : 

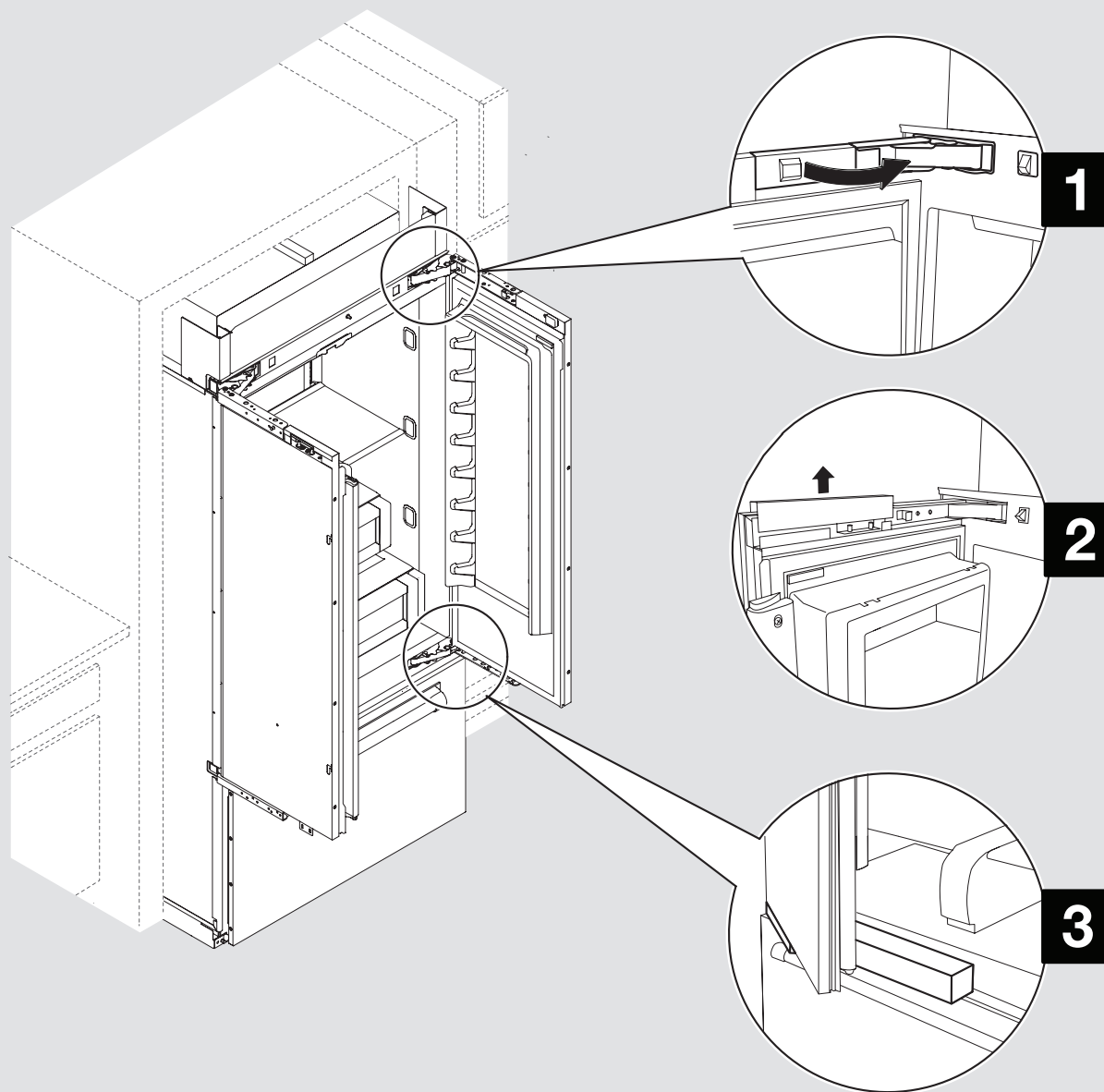
1. Desserrer légèrement les vis de support du panneau du congélateur.
2. Glisser le panneau sur le tiroir. Serrer les quatre vis de chaque côté pour fixer le support au panneau du tiroir.
3. À l'aide des vis plates à tête cruciforme, fixer les supports du panneau au tiroir.
4. Pour l'ajustement ultérieur du panneau, ne pas serrer complètement les vis qui maintiennent le support au tiroir.

**IMPORTANT :** Une fois l'installation de tous les panneaux terminée, vérifier l'alignement. Le panneau du tiroir peut être monté ou descendu pour rectifier l'alignement. Ne serrer entièrement les vis qu'une fois les panneaux parfaitement alignés.

Pièces à utiliser :	
	6 vis cruciformes

# INSTALLATION

## INSTALLATION DES PANNEAUX DE PORTE

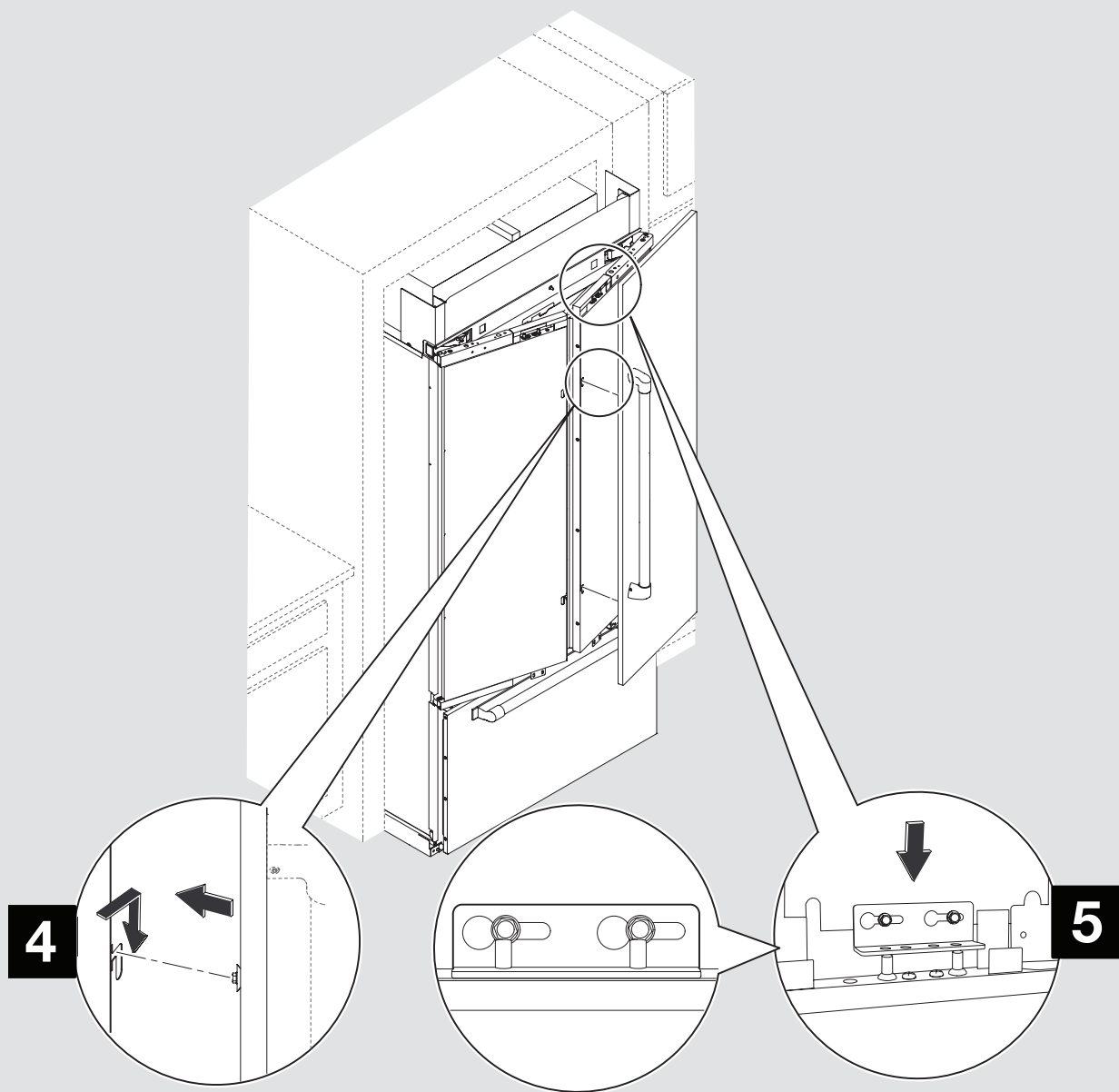


POUR : 

1. Ouvrir les portes et enlever les couvercles de charnière.  
**REMARQUE** : Les modèles avec porte à double battant et congélateur en bas possèdent un couvercle de charnière inférieur qui doit aussi être enlevé.
2. Retirer les caches de tiges d'ajustement de la porte pour exposer les tiges d'ajustement.
3. Utiliser l'emballage en mousse pour maintenir la porte ouverte pendant l'installation du panneau.

INSTALLATION

## INSTALLATION INSTALLATION DES PANNEAUX DE PORTE (SUITE)



### **⚠ AVERTISSEMENT**

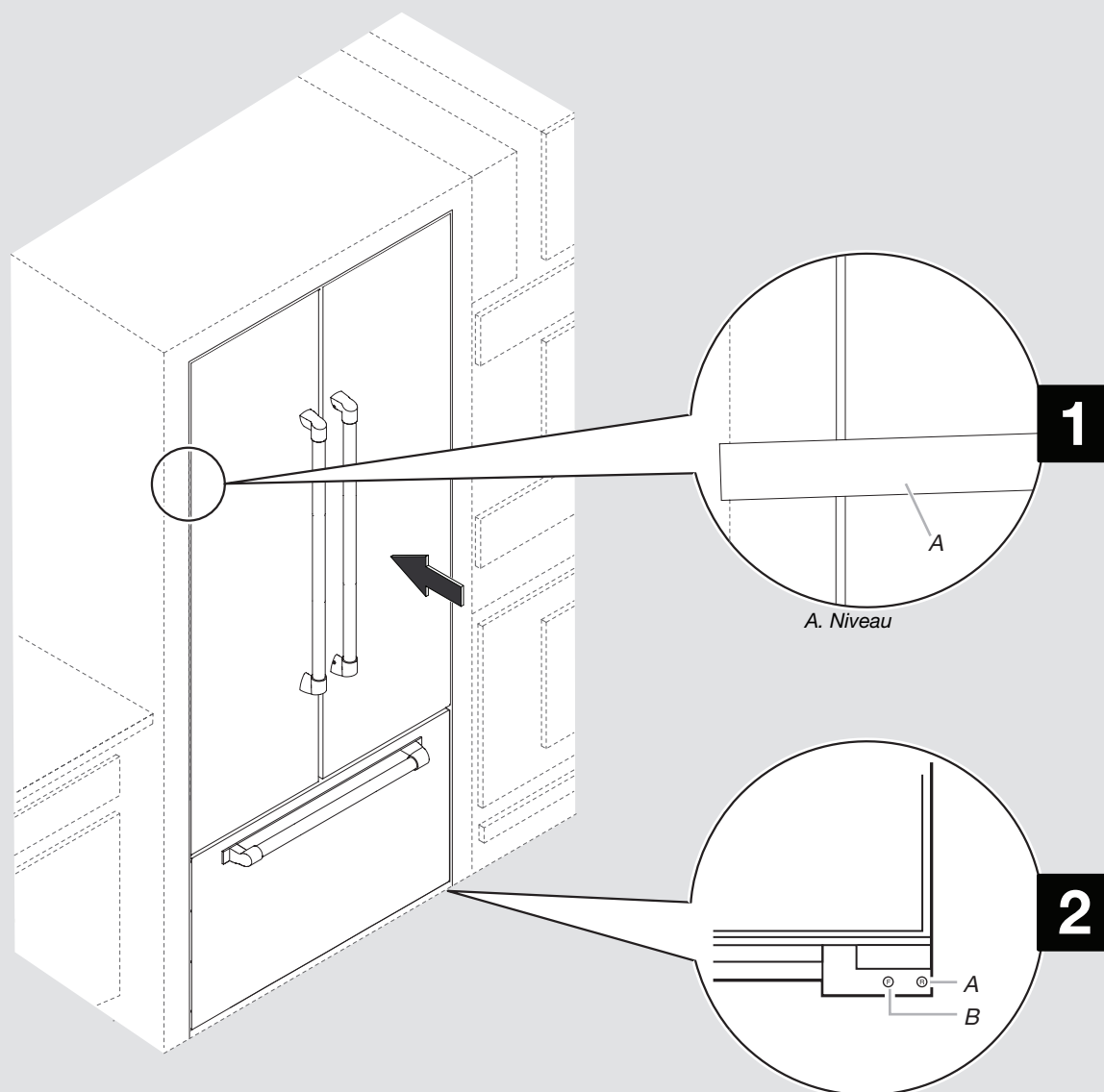
**Risque du poids excessif**  
**Utiliser deux personnes ou plus pour**  
**déplacer et installer les panneaux.**  
**Le non-respect de cette instruction peut**  
**causer une blessure au dos ou d'autre**  
**blessure.**

4. Aligner les deux rondelles à épaulement à l'arrière du panneau de porte avec les fentes en "J" sur le côté de la porte du réfrigérateur.
5. Glisser simultanément le panneau sur la porte et abaisser le support du panneau sur les tiges d'ajustement situées en haut de la porte.

**REMARQUE :** Pour les modèles avec porte à double battant et côte à côte, répéter les étapes 2 à 5 pour installer le deuxième panneau de porte.

# INSTALLATION

## DÉPLACEMENT DU RÉFRIGÉRATEUR À L'EMPLACEMENT FINAL



A. Boulon d'ajustement de l'aplomb (arrière)    B. Boulon d'ajustement de l'aplomb (avant)

POUR :

### **⚠ AVERTISSEMENT**

#### Risque du poids excessif

Utiliser deux ou plus de personnes pour déplacer et installer le réfrigérateur.

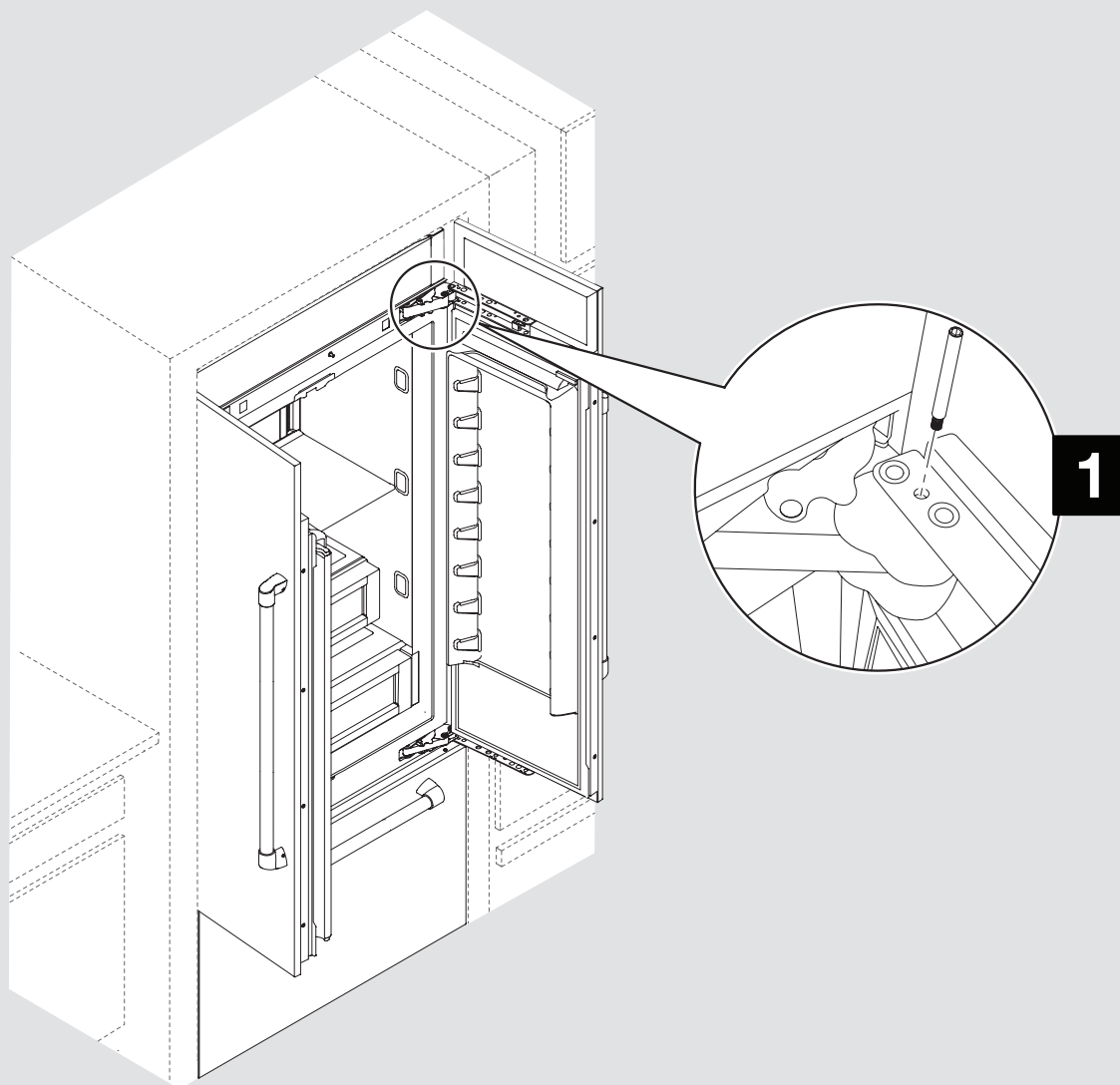
Le non-respect de cette instruction peut causer une blessure au dos ou d'autre blessure.

1. Pousser doucement le réfrigérateur à son emplacement dans l'armoire pour que les panneaux soient en affleurement sur tous les côtés avec les armoires adjacentes.
2. Utiliser un tournevis à douille de 5/16 po pour faire tourner les écrous d'ajustement de l'aplomb dans le sens horaire et soulever le réfrigérateur. Ajuster les écrous d'ajustement de l'aplomb jusqu'à ce que le haut du réfrigérateur touche le bas du soffite massif. Si les panneaux antibasculement sont utilisés, ajuster les écrous de nivellement jusqu'à ce que le haut du réfrigérateur touche le bas des panneaux antibasculement. Ne pas écraser le couvercle du compartiment de l'appareil.

**IMPORTANT** : Une fois la hauteur ajustée, s'assurer que le réfrigérateur est parfaitement d'aplomb à l'horizontale. S'assurer aussi que les panneaux sont en affleurement avec les armoires latérales.

# INSTALLATION

## AJUSTER L'OUVERTURE DE LA PORTE



POUR :

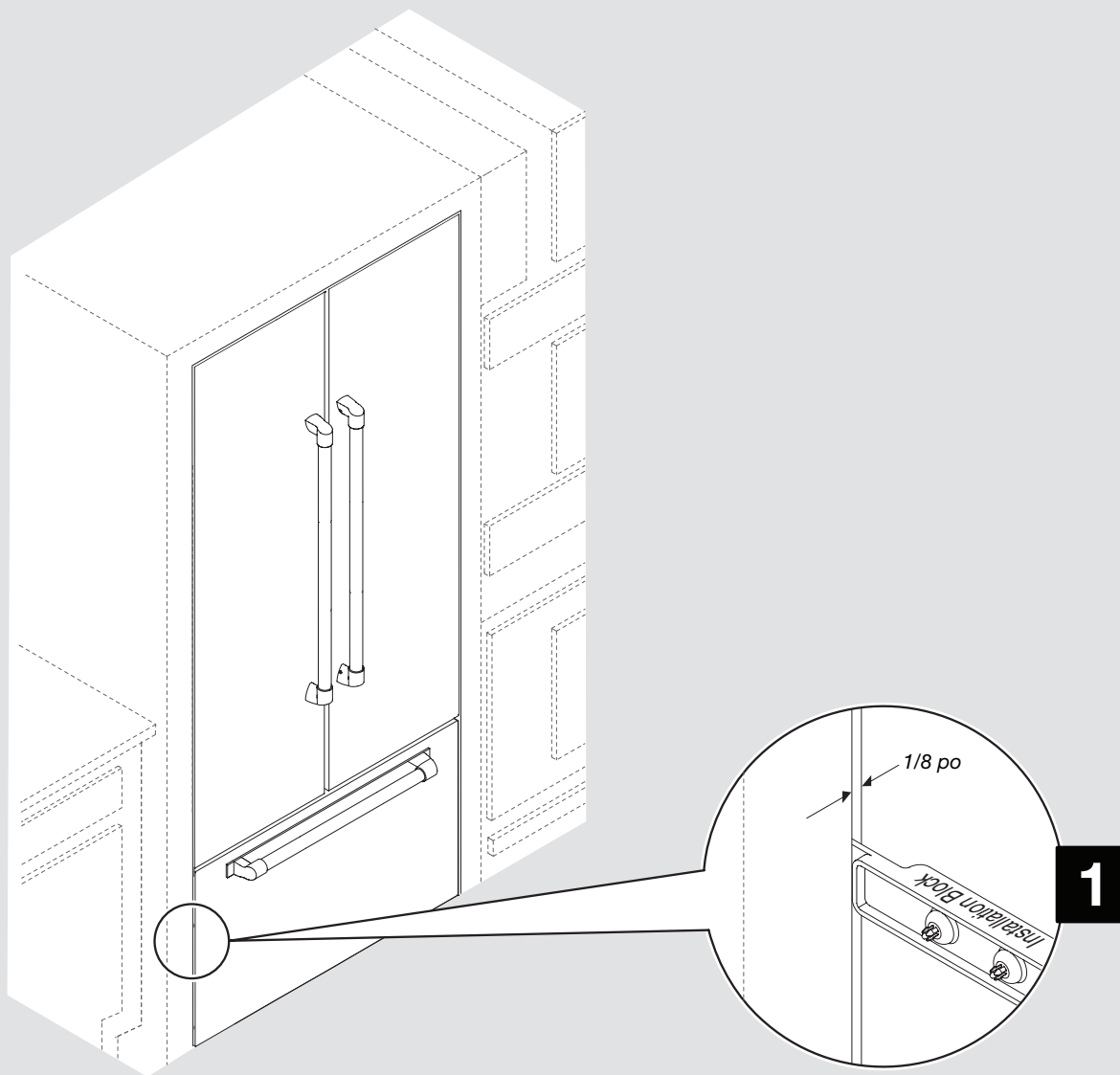
1. Si l'ouverture standard de 110° de la porte est trop large, ajuster la goupille de butée de porte pour obtenir un débattement maximal de 90° de la porte. Insérer la goupille de butée de porte dans la charnière supérieure, au trou indiqué. À l'aide d'une clé hexagonale de 5/32 po, serrer la goupille de butée de la porte.

Pièces à utiliser :

	Goupille de butée (au besoin)
-------------------------------------------------------------------------------------	-------------------------------

# INSTALLATION

## AJUSTER LE PANNEAU DE CONGÉLATEUR



! POUR LES MODÈLES CÔTE À CÔTE – PASSER CETTE ÉTAPE

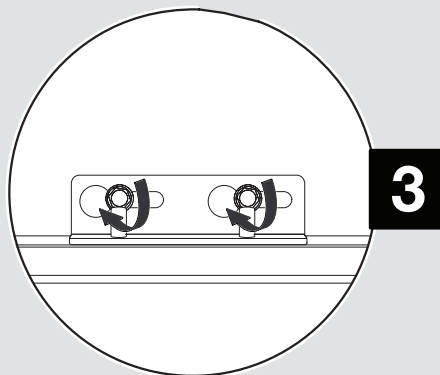
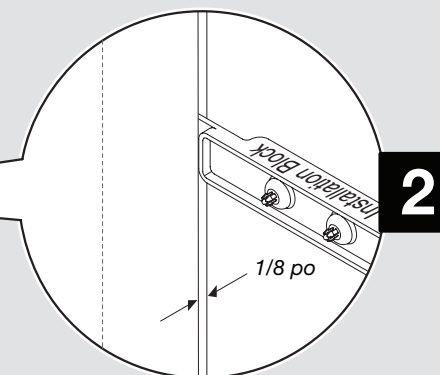
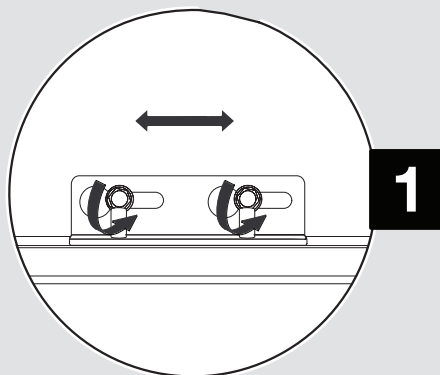
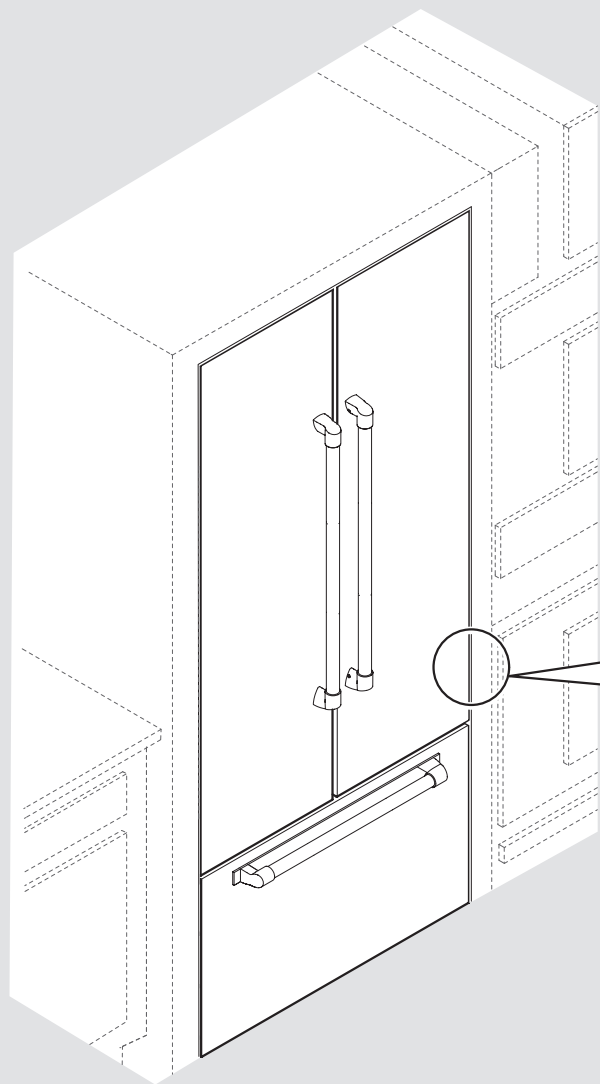
POUR :

1. L'espace entre le panneau et les armoires adjacentes doit être de 1/8 po (3,2 mm). Utiliser la cale d'installation pour mesurer les espaces.

INSTALLATION

# INSTALLATION

## AJUSTER LE PANNEAU DE RÉFRIGÉRATEUR

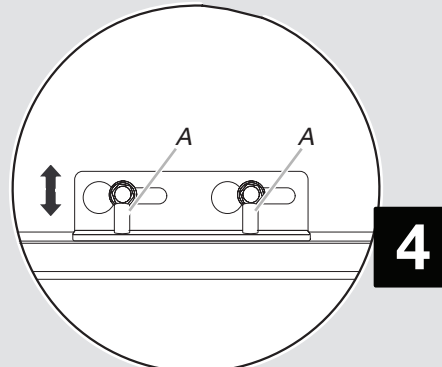
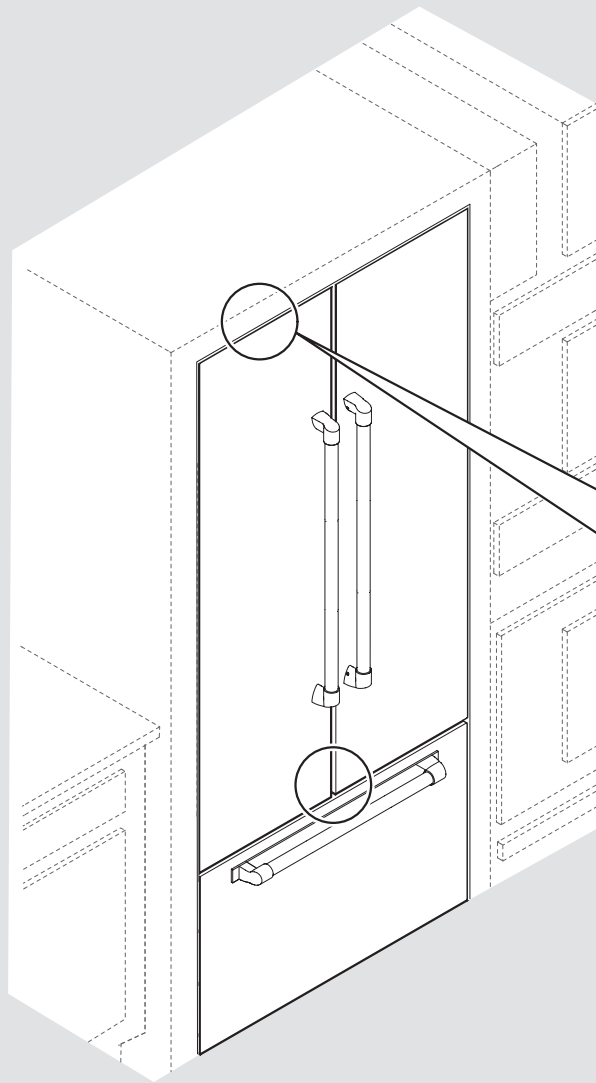


POUR : 

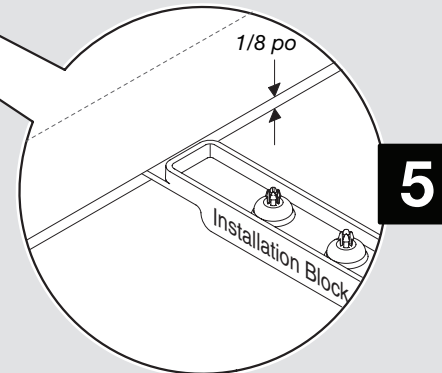
1. Desserrer légèrement les vis du support de panneau pour permettre au panneau de bouger de gauche à droite.
2. Ajuster les panneaux pour obtenir un espace de 1/8 po entre les panneaux et les armoires adjacentes. Pour les modèles avec porte double et congélateur en bas, aligner les bords extérieurs du panneau du réfrigérateur avec les bords extérieurs du panneau du congélateur des deux côtés. Pour les modèles côte à côte, aligner les panneaux du réfrigérateur et du congélateur avec les armoires latérales.  
**REMARQUE** : Ajuster le panneau, pas la porte, si des ajustements sont nécessaires pour l'alignement ou l'espacement.
3. Serrer les vis de support de panneau.

# INSTALLATION

## AJUSTER LE PANNEAU DE RÉFRIGÉRATEUR (SUITE)



A. Tige d'ajustement

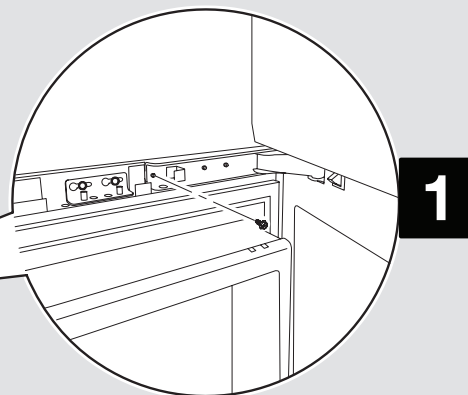
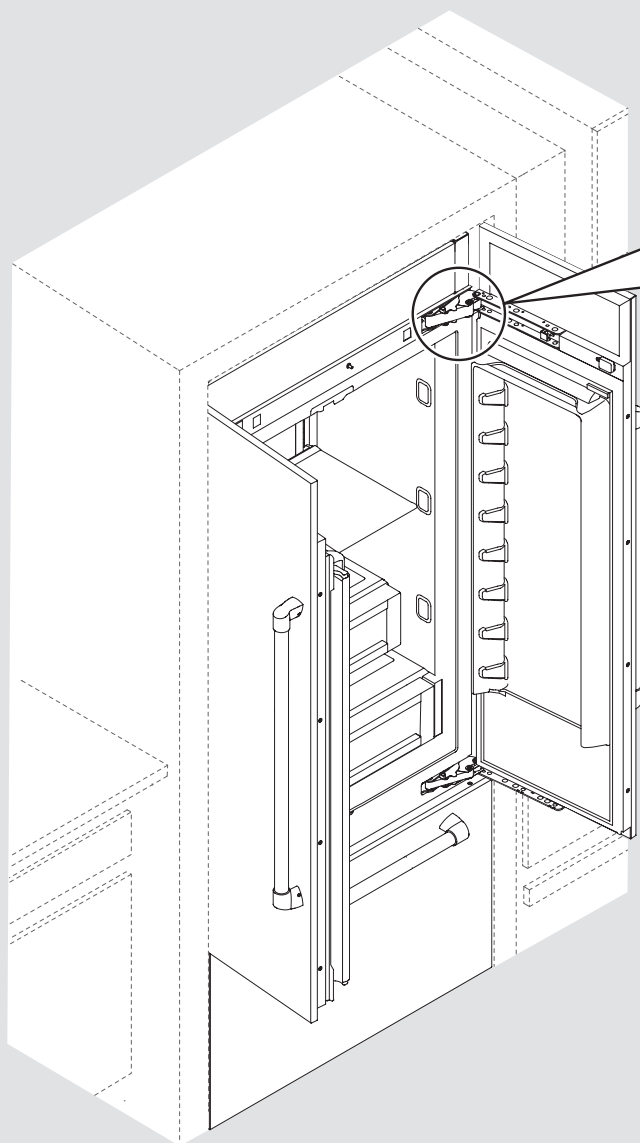


POUR : 

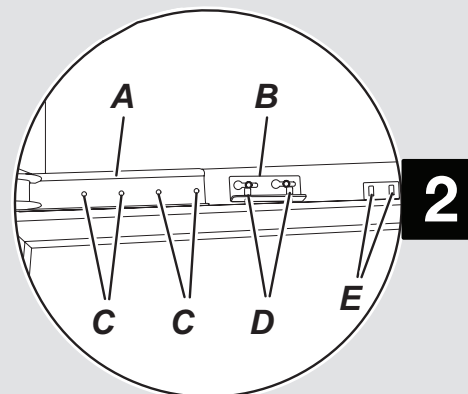
4. Utiliser une clé hexagonale de 5/32 po pour élever ou abaisser les tiges d'ajustement afin de monter ou descendre le panneau de porte.
5. L'espace entre le panneau et le bas du soffite doit être de 1/8 po (3,2 mm).

# INSTALLATION

## FIXER LES PANNEAUX



**1**



**2**

- A. Charnière supérieure
- B. Support de montage
- C. Trous pour les vis
- D. Tiges d'ajustement de porte
- E. Trous pour vis (modèles de 36 po avec congélateur en bas seulement)

POUR :

1. À l'aide des vis à tête hexagonale fendue, fixer les charnières supérieure et inférieure aux panneaux de porte. Bien serrer toutes les vis du panneau de porte.

**REMARQUE :** Ne pas trop serrer les vis pour ne pas endommager le panneau.

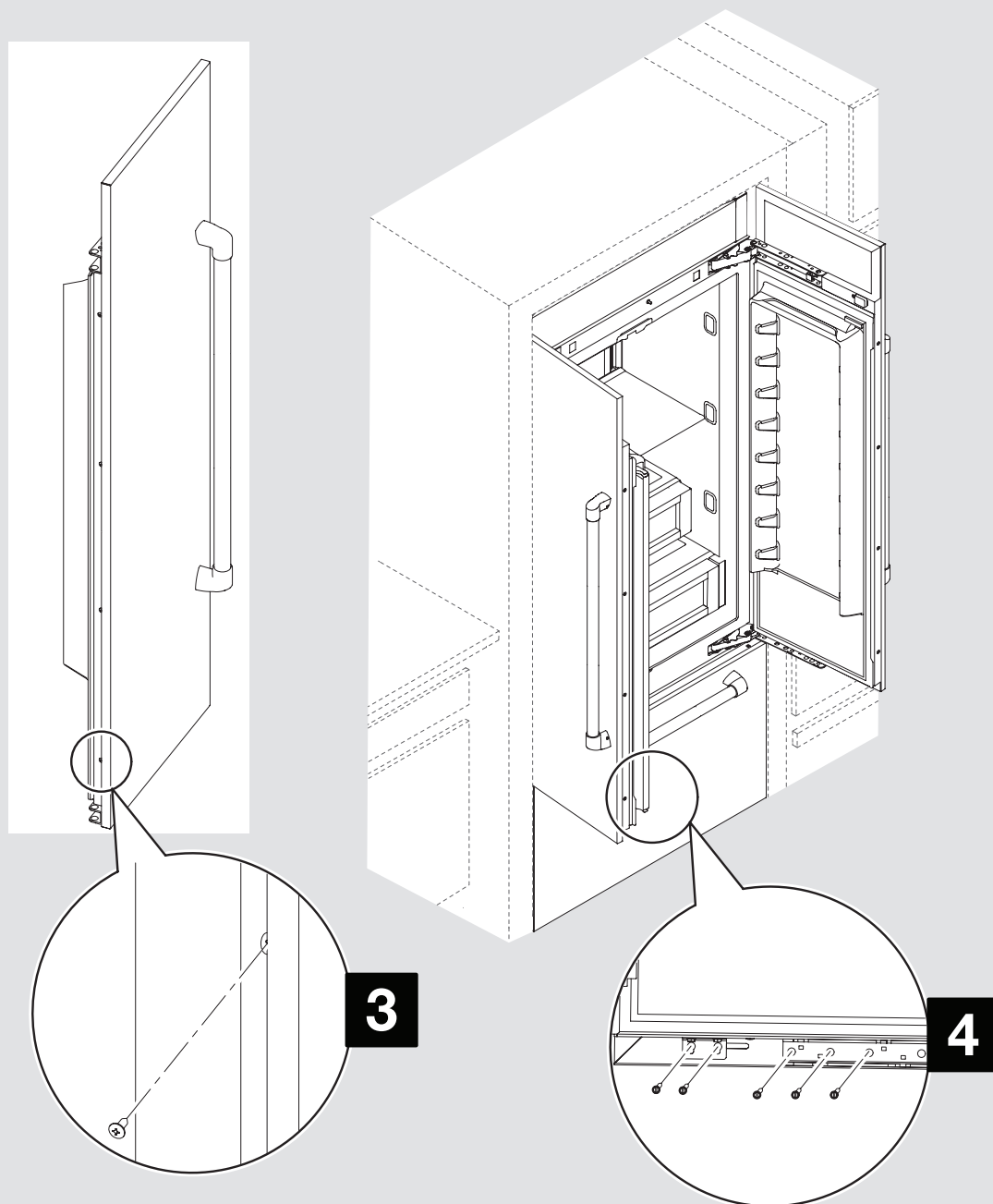
2. Modèles de 36 po avec congélateur en bas – Utiliser les vis à tête hexagonale pour fixer le panneau au support de porte supplémentaire.

Pièces à utiliser :



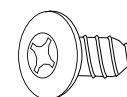
Vis à tête hexagonale fendue (au besoin)

## INSTALLATION FIXER LES PANNEAUX (SUITE)

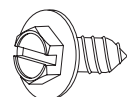


3. Utiliser les vis à tête cruciforme pour fixer le panneau à la porte, sur le côté charnières.
4. À l'aide des vis à tête hexagonale fendue, fixer le support de montage, situé en bas des portes, aux panneaux.

### Pièces à utiliser :



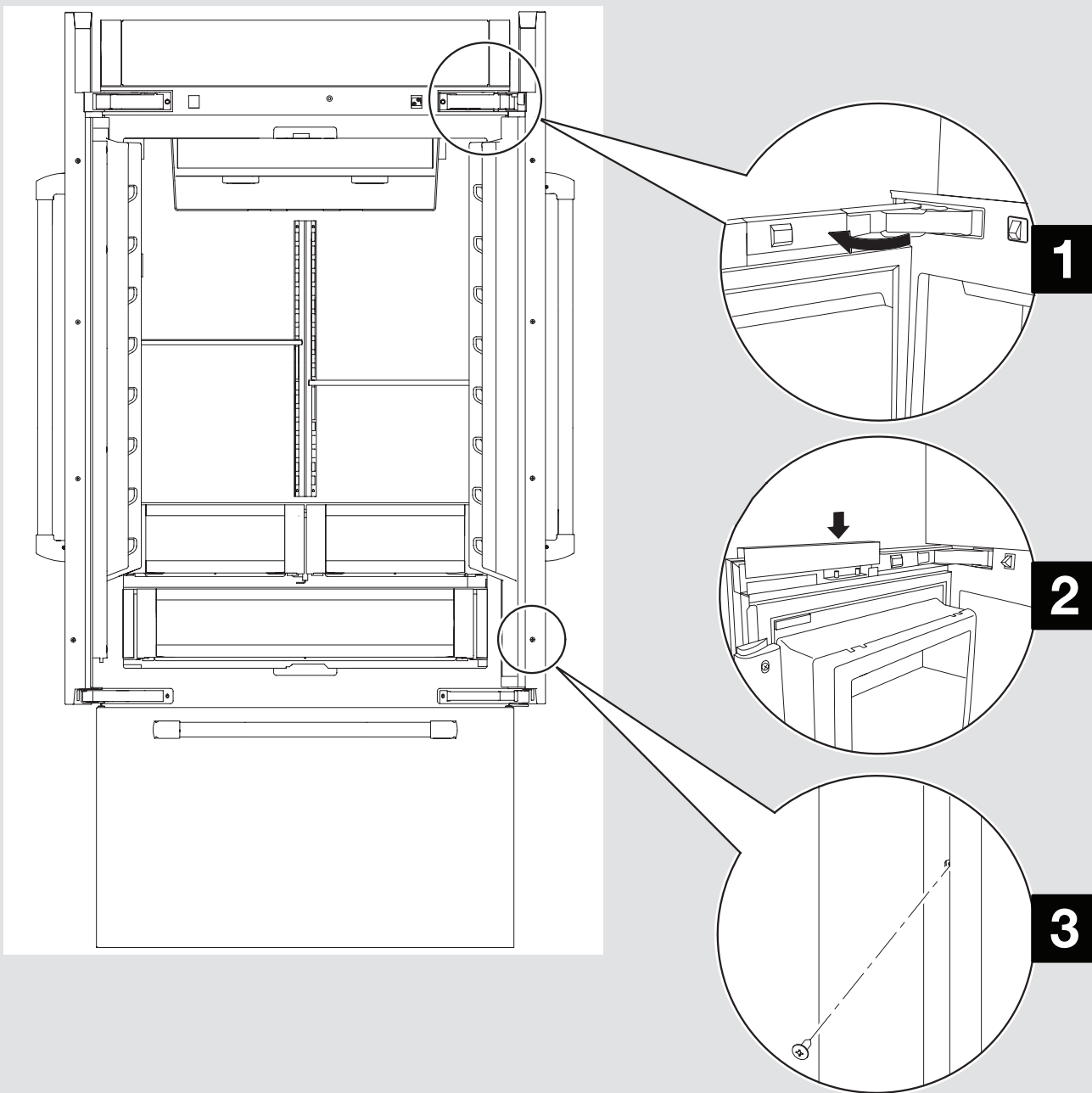
Vis à tête cruciforme  
(au besoin)



Vis à tête hexagonale fendue  
(au besoin)

# INSTALLATION

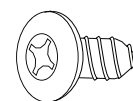
## TERMINER L'INSTALLATION



POUR : 

1. Replacer les couvre-charnières.
2. Emboîter les caches des tiges d'ajustement.
3. Au moyen des vis à tête cruciforme, fixer les garnitures côté poignées (fournies avec le réfrigérateur) aux portes.

Pièces à utiliser :



Vis à tête cruciforme  
(au besoin)

NOTES:

