

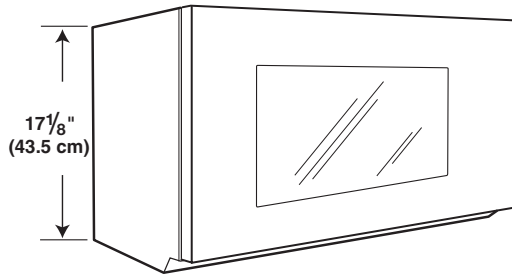
# MICROWAVE HOOD COMBINATION BUMP OUT KIT INSTALLATION INSTRUCTIONS

If cabinets are deeper than 14"(35.6 cm) but no more than 15"(38.1 cm), use the bump out mounting kit to replace the mounting bracket that comes with your unit.

These installation instructions are only for the Bump out mounting kit, for full microwave hood combination installation, please refer to the installation instructions that came with the microwave hood combination.

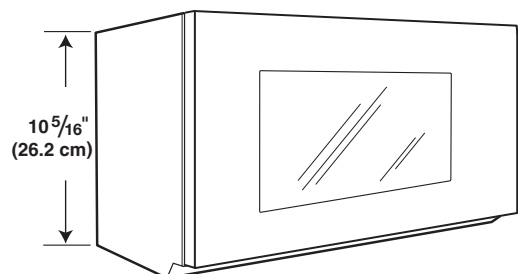
This installation instruction is suitable for two product height dimensions. Before installation, please measure your product height and choose section I or section II for installation. If your product height is around 17<sup>1</sup>/<sub>8</sub>" (43.5 cm), please see Section I. If your product height is around 10<sup>5</sup>/<sub>16</sub>" (26.2 cm), please see Section II.

**Section I**



See section I installation in the following pages.

**Section II**



See section II installation in the following pages.

## Table of Contents

<b>MICROWAVE HOOD COMBINATION SAFETY</b> .....	<b>2</b>
<b>SECTION I &amp; II</b> .....	<b>3</b>
<b>INSTALLATION REQUIREMENTS</b> .....	<b>3</b>
Tools and Parts.....	3
Location Requirements.....	3
Locate Wall Stud(s) .....	4
<b>SECTION I ONLY</b> .....	<b>5</b>
Product Dimensions.....	5
Mark Rear Wall .....	6
Drill Holes in Rear Wall .....	7
Attach Mounting Plate to Wall .....	7
Prepare Upper Cabinet .....	8
<b>SECTION II ONLY</b> .....	<b>9</b>
Product Dimensions.....	9
Mark Rear Wall .....	9
Drill Holes in Rear Wall .....	11
Attach Mounting Plate to Wall .....	11
Prepare Upper Cabinet .....	12



W11266762A

# MICROWAVE HOOD COMBINATION SAFETY

## Your safety and the safety of others are very important.

We have provided many important safety messages in this manual and on your appliance. Always read and obey all safety messages.



This is the safety alert symbol.

This symbol alerts you to potential hazards that can kill or hurt you and others.

All safety messages will follow the safety alert symbol and either the word "DANGER" or "WARNING."

These words mean:

**⚠ DANGER**

You can be killed or seriously injured if you don't immediately follow instructions.

**⚠ WARNING**

You can be killed or seriously injured if you don't follow instructions.

All safety messages will tell you what the potential hazard is, tell you how to reduce the chance of injury, and tell you what can happen if the instructions are not followed.

---

# SECTION I & II

---

## INSTALLATION REQUIREMENTS

---

### Tools and Parts

#### Tools needed

Gather the required tools and parts before starting installation. Read and follow the instructions provided with any tools listed here.

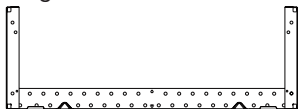
- Measuring tape
- Pencil
- Masking tape or thumbtacks
- Scissors
- Duct tape
- Diagonal wire cutting pliers
- Stud finder
- 7/16" socket wrench (or box wrench) for 1/4" x 2" lag screws
- No. 3 Phillips screwdriver for 1/4"- 20 x 3" bolts
- Drill
- 3/16" (4.8 mm), 3/8" (9.5 mm), 5/8" (1.6 cm) drill bits
- 3/4" (1.9 cm) hole saw
- 1½" (3.8 cm) diam. hole drill bit for wood or metal cabinet
- Keyhole saw
- Caulking gun and weatherproof caulking compound

#### Materials Needed

- Standard fittings for wall or roof venting. See "Venting Design Specifications" section.

#### Parts Included:

- Mounting Bracket



- Installation Instructions
- Wall Template (for SECTION I only)
- Upper Cabinet Template

---

### Location Requirements

**IMPORTANT:** Check the opening where the microwave oven will be installed. The location must provide:

- Minimum installation dimensions. See the "Installation Dimensions" illustration.
- Minimum one 2" x 4" (50.8 x 101.6 mm) wood wall stud and minimum 3/8" (1 cm) thickness drywall or plaster/lath within cabinet opening.
- Support for weight of 150 lbs (68 kg) which includes microwave oven and items placed inside the microwave oven and upper cabinet.
- Grounded electrical outlet inside upper cabinet. See the "Electrical Requirements" section.

#### NOTES:

- If installing the microwave oven near a left sidewall, make sure there is at least 6" (15.2 cm) of clearance between the wall and the microwave oven so that the door can open fully.
- Some cabinet and building materials are not designed to withstand the heat produced by the microwave oven for cooking. Check with your builder or cabinet supplier to make sure that the materials used will not discolor, delaminate, or sustain other damages.

---

### Special Requirements

---

#### For Wall Venting Installation Only:

- Cutout must be free of any obstructions so that the vent fits properly and the damper blade opens freely and fully.

#### For Roof Venting Installation Only:

- If you are using a rectangular-to-round transition piece, the 3" (7.6 cm) clearance needs to exist above the microwave oven so that the damper blade can open freely and fully. See "Rectangular to Round Transition" illustration in the "Venting Design Specifications" section.

## Locate Wall Stud(s)

**NOTE:** If no wall studs exist within the cabinet opening, do not install the microwave oven.

See illustrations in "Possible Wall Stud Configurations."

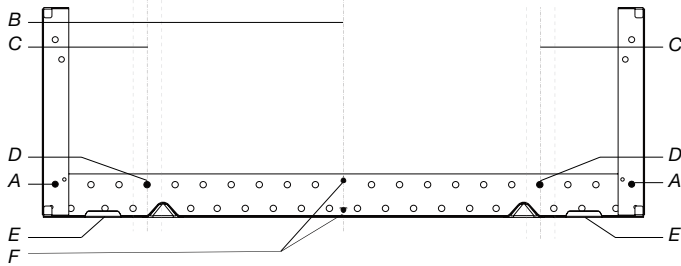
1. Using a stud finder, locate the edges of the wall stud(s) within the opening.
2. Mark the center of each stud and draw a plumb line down each stud center. See illustrations in "Possible Wall Stud Configurations."

### Possible Wall Stud Configurations

These depictions show examples of preferred installation configurations with the mounting plate.

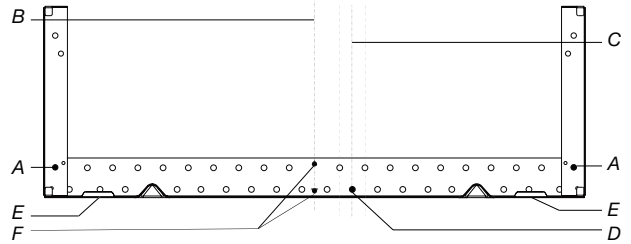
#### No Wall Studs at End Holes

Figure 1



#### No Wall Studs at End Holes

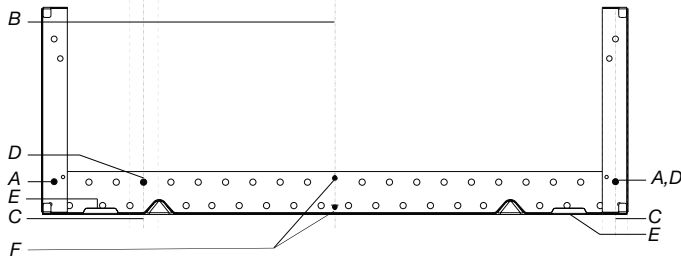
Figure 2



**NOTE:** If wall studs is within 6" (15.2 cm) of the vertical centerline (see "Mark Rear Wall" section), only recirculation or roof venting installation can be done.

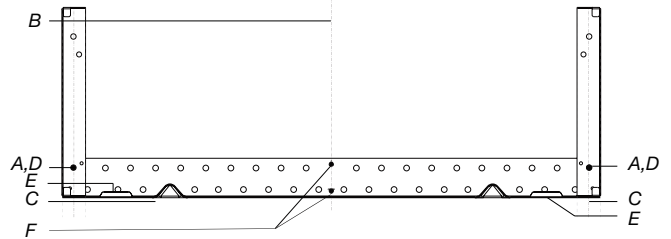
#### Wall Studs at End Holes

Figure 3



#### Wall Studs at End Holes

Figure 4



- A. End holes (on mounting plate)
- B. Cabinet opening vertical centerline
- C. Wall stud centerlines
- D. Holes for lag screws
- E. Support tabs
- F. Mounting plate center markers

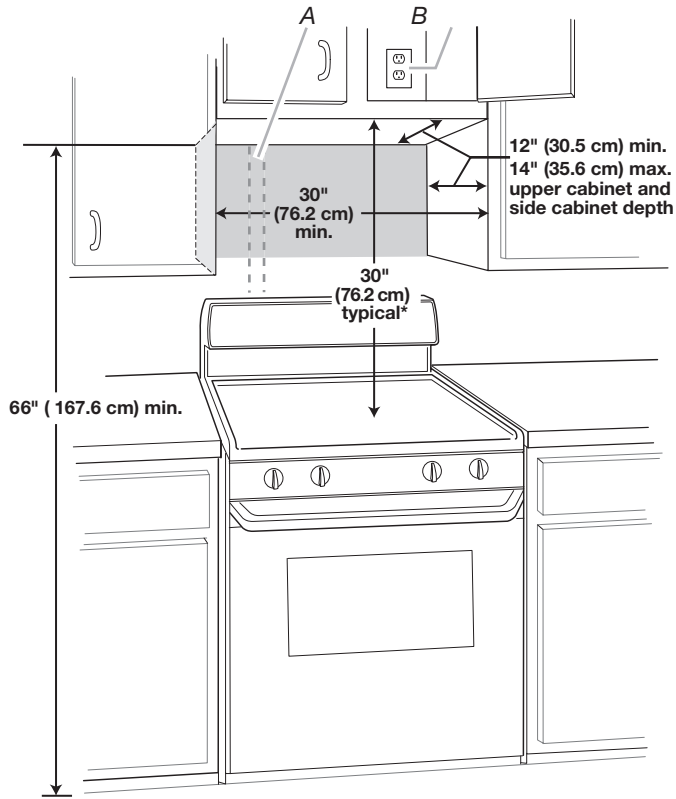
# SECTION I only

This section is used for around 17<sup>1</sup>/<sub>8</sub>" (43.5 cm) product height installation.

## Installation Dimensions

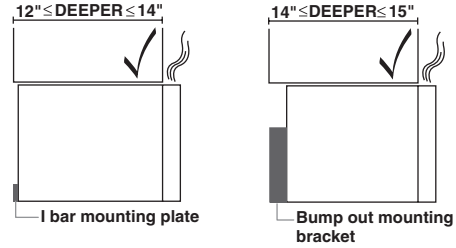
**NOTE:** The grounded 3 prong outlet must be inside the upper cabinet. See the "Electrical Requirements" section.

**NOTE:** To ensure good performance, do not obstruct top vent airflow. If cabinets are deeper than 14" (35.6 cm) but no more than 15" (38.1 cm), use the bump out mounting kit replacing the I bar mounting plate from the wall. The bump out mounting kit (part # W11185746) is not provided and can be sourced independently from Whirlpool.



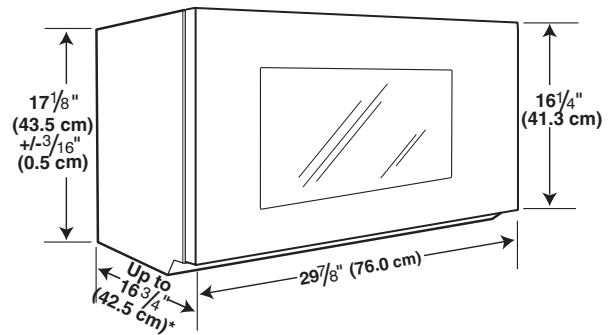
A. 2" x 4" (5.1 cm x 10.2 cm) wall stud  
B. Grounded 3 prong outlet

\*30" (76.2 cm) is typical for 66" (167.6 cm) installation height. Exact dimensions may vary depending on type of range/cooktop below.



## Product Dimensions

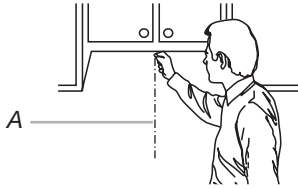
\*Overall depth of product will vary slightly depending on door design.



## Mark Rear Wall

The microwave oven must be installed on a minimum of 1 wall stud, preferably 2, using a minimum of 1 lag screw, preferably 2.

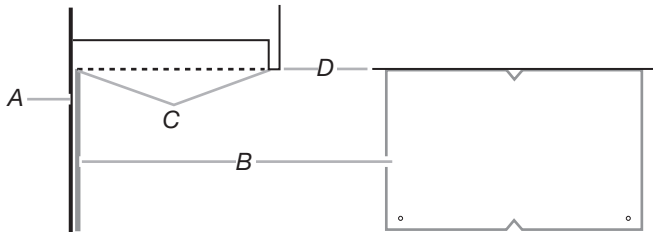
- Using measuring tape, find and clearly mark the vertical centerline of the opening.



- Align the center markers on the wall template to the centerline on the wall, making sure it is level, and that the top of the wall template is butted up against the bottom edge of the upper cabinet.

### NOTES:

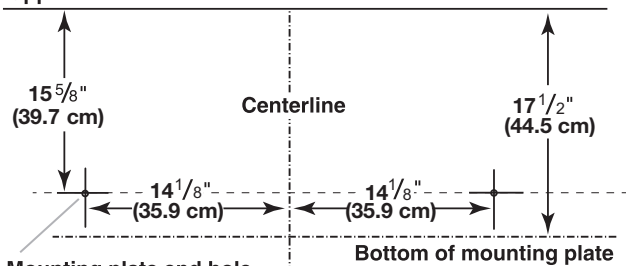
- If the front edge of the upper cabinet is lower than the back edge, lower the wall template so that its top is level with the front edge of the cabinet.
- If the wall template is damaged or unusable, measure and mark the wall with the dimensions described in Step 4.



- A. Rear wall  
 B. Wall Template  
 C. Top of wall template must align with front edge of cabinet  
 D. Front edge of upper cabinet

- Holding the wall template in place, mark both holes in the lower corners and draw a horizontal line across the bottom edge of the wall template. These represent the wall plate's end holes and bottom edge.
- Remove the wall template and check the markings:

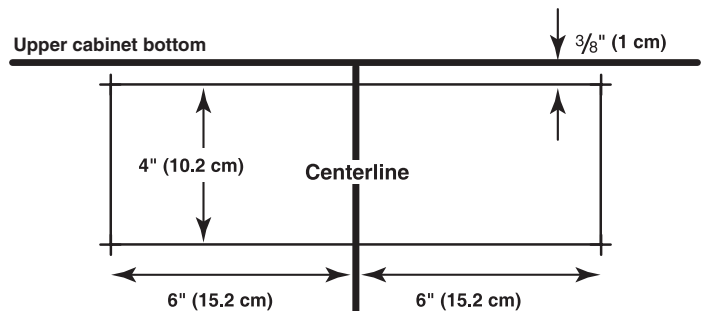
### Upper cabinet bottom



- The bottom edge line must be  $17\frac{1}{2}"$  (44.5 cm) from the bottom of the upper cabinet and must be level.
- The end holes must be  $15\frac{5}{8}"$  (39.7 cm) from the bottom edge of the upper cabinet and must be on a level line with each other. They must each be  $14\frac{1}{8}"$  (35.9 cm) from the centerline.

- With the support tabs facing forward (see illustrations in the "Locate Wall Stud(s)" section), align the mounting plate center markers to the centerline on the wall, making sure its bottom edge is aligned to the horizontal line drawn in Step 3 and that the end holes are properly marked. Make sure the mounting plate is level.
- Holding the mounting plate in place, find the wall stud centerline(s) drawn in Step 2 of "Locate Wall Stud(s)" and mark at least 1, preferably 2 hole(s) through the mounting plate, closest to the wall stud centerline(s). See figures 1, 2, and/or 3 in "Possible Wall Stud Configurations" in the "Locate Wall Stud(s)" section. The blackened holes in the shaded areas are ideal hole locations.
- Set the mounting plate aside.

## Wall Venting Installation Only



- Mark the centerline  $\frac{3}{8}"$  (1 cm) down from the bottom edge of the upper cabinet.
- Using measuring tape, measure out 6" (15.2 cm) on both sides of the centerline, and mark.
- Measure down 4" (10.2 cm) from the mark made in Step 8 and mark.
- Using a straightedge, draw the 2 horizontal, level lines through the marks made in steps 8 and 10.
- Draw the 2 vertical plumb lines down from the marks made in Step 9 to complete the 12" x 4" (30.5 x 10.2 cm) rectangle. This is the venting cutout area.
- Cut a  $\frac{3}{4}"$  (1.9 cm) hole in one corner of the cutout area.
- Using a keyhole saw, cut out the venting cutout area.

## Drill Holes in Rear Wall

In addition to being installed on at least 1 wall stud, the mounting plate must attach to the wall at both end holes. If the end holes are not over wall studs, use two  $\frac{3}{16}$ -24 x 3" (7.62 cm) round-head bolts with toggle nuts; if 1 end hole is over a wall stud, use 1 lag screw and one  $\frac{3}{16}$ -24 x 3" (7.62 cm) round-head bolt with toggle nut; or if both end holes are over wall studs, use 2 lag screws. Following are 3 installation configurations.

### Installation for No Wall Studs at End Holes (Figures 1 and 2)

1. Drill  $\frac{5}{8}$ " (1.6 cm) holes through the wall at both end holes marked in Step 3 of the "Mark Rear Wall."
2. Drill  $\frac{3}{16}$ " (5 mm) hole(s) into the wall stud(s) at the hole(s) marked in Step 6 of the "Mark Rear Wall." Refer to figures 1 and 2 in "Possible Wall Stud Configurations" in the "Locate Wall Stud(s)" section.

### Installation for Wall Stud at One End Hole (Figure 3)

1. Drill a  $\frac{3}{16}$ " (5 mm) hole into the wall stud at the end hole marked in Step 3 of the "Mark Rear Wall."
2. If installing on a second wall stud, drill a  $\frac{3}{16}$ " (5 mm) hole into the wall stud at the other hole marked in Step 6 of the "Mark Rear Wall." Refer to Figure 3 in "Possible Wall Stud Configurations" in the "Locate Wall Stud(s)" section.
3. Drill a  $\frac{5}{8}$ " (1.6 cm) hole through the wall at the other end hole.

### Installation for Wall Studs at Both End Holes (Figure 4)

1. Drill  $\frac{3}{16}$ " (5 mm) holes into the studs at the end holes marked in Step 3 of the "Mark Rear Wall."

## Attach Mounting Plate to Wall

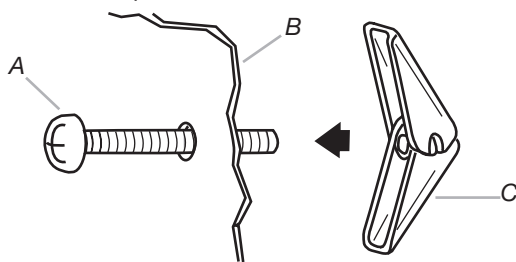
**NOTE:** Secure the mounting plate to the wall at both end holes drilled into the wall studs and/or drywall using either  $\frac{3}{16}$ -24 x 3" round-head bolts and toggle nuts or  $\frac{1}{4}$  x 2" lag screws.

Refer to illustrations in "Possible Wall Stud Configurations" in the "Locate Wall Stud(s)" section.

### No Wall Studs at End Holes (Figures 1 and 2)

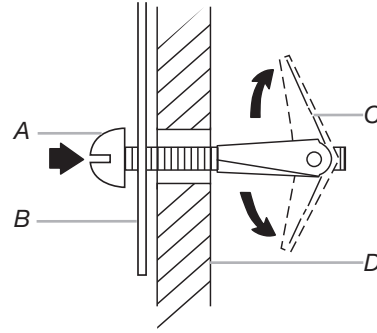
**NOTE:** The mounting plate must be secured to the wall on at least 1 wall stud as well as at both ends.

1. With the support tabs of the mounting plate facing forward, insert  $\frac{3}{16}$ -24 x 3" round-head bolts through both end holes of mounting plate.
2. Start toggle nuts on bolts from the back of the mounting plate. Leave enough space for the toggle nuts to go through the wall and to open.



A.  $\frac{3}{16}$ -24 x 3" round-head bolt  
B. Mounting plate  
C. Spring toggle nut

3. Position mounting plate on the wall.
4. Push the 2 bolts with toggle nuts through the drywall, and finger tighten the bolts to make sure toggle nuts have opened against drywall.



A.  $\frac{3}{16}$ -24 x 3" round head bolt  
B. Mounting plate  
C. Spring toggle nut  
D. Drywall

5. Insert lag screw(s) into the hole(s) drilled into wall stud(s) in Step 2 of "Installation for No Wall Studs at End Holes" in the "Drill Holes in Rear Wall" section.
6. Check alignment of mounting plate, making sure it is level.
7. Securely tighten all lag screws and bolts.

### Wall Stud at One End Hole (Figure 3)

1. With the support tabs of the mounting plate facing forward, insert a  $\frac{3}{16}$ -24 x 3" round-head bolt through the end hole that fits over the  $\frac{5}{8}$ " (1.6 cm) hole drilled in Step 3 of "Installation for Wall Stud at One End Hole" in the "Drill Holes in Rear Wall" section.
2. Start a toggle nut on the bolt from the back of the mounting plate. Leave enough space for the toggle nut to go through the wall and to open.
3. Position mounting plate on the wall.
4. Push the bolt with toggle nut through the drywall, and finger tighten the bolt to make sure toggle nut has opened against drywall.
5. Insert a lag screw into the remaining end hole.
6. If installing on a second wall stud, insert a lag screw into the other hole drilled in Step 2 of "Installation for Wall Stud at One End Hole" in the "Drill Holes in Rear Wall" section.
7. Check alignment of mounting plate, making sure it is level.
8. Securely tighten the lag screw(s) and bolt.

### Wall Studs at Both End Holes (Figure 4)

1. Position mounting plate on the wall.
2. Insert lag screws into both end holes.
3. Check alignment of mounting plate, making sure it is level.
4. Securely tighten the lag screws.

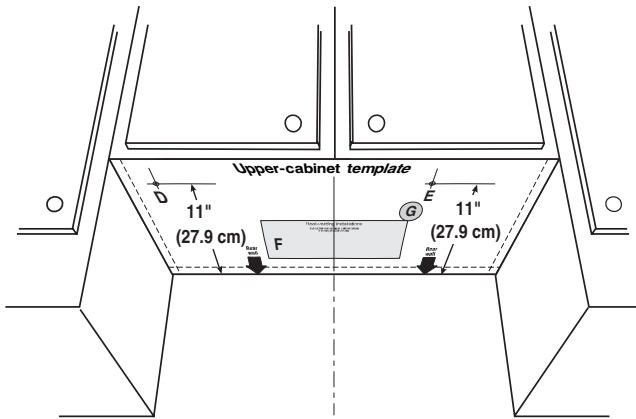
## Prepare Upper Cabinet

1. Disconnect power to outlet.
2. Remove all contents from upper cabinet.
3. Place Upper Cabinet Template against the bottom of the upper cabinet, and attach with tape or thumbtacks. Make sure the template centerline aligns with the vertical centerline on the rear wall.

The "rear wall" arrows must be against the rear wall so that the holes cut into the upper cabinet align with the holes in the top of the microwave oven.

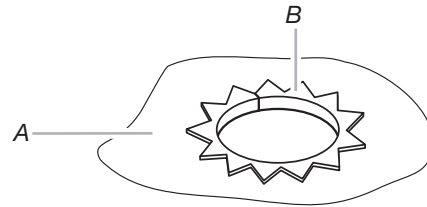
### NOTES:

- If the upper cabinet has a frame around it, trim the template edges so that it fits inside the frame, against the upper cabinet bottom. The template has trim lines to use as guides.
  - If the wall behind the microwave oven (as installed) has a partial wall covering (for example, tile backsplash), be sure the "Rear Wall" arrows align to the thickest part of the rear wall (for example, the thickness of the tiles rather than the drywall).
4. Make sure the 11" (27.9 cm) dimension from the rear wall to points "D" and "E" on the template is maintained.



5. Cut the 1½" (3.8 cm) diameter hole at the circular shaded area "G" on the template. This hole is for the power supply cord.

**NOTE:** If upper cabinet is metal, the supply cord bushing needs to be installed around the supply cord hole as shown.



A. Metal cabinet

B. Power supply cord bushing

6. Drill 3/8" (1 cm) holes at points "D" and "E" on the template. These are for two -20 x 3" bolts and washers used to secure the microwave oven to the upper cabinet.

### For Roof Venting Installation Only:

7. Cut 3/4" (1.9 cm) hole at one corner of the shaded rectangular area "F" on Upper Cabinet Template.
8. Using a keyhole saw, cut out the rectangular area.

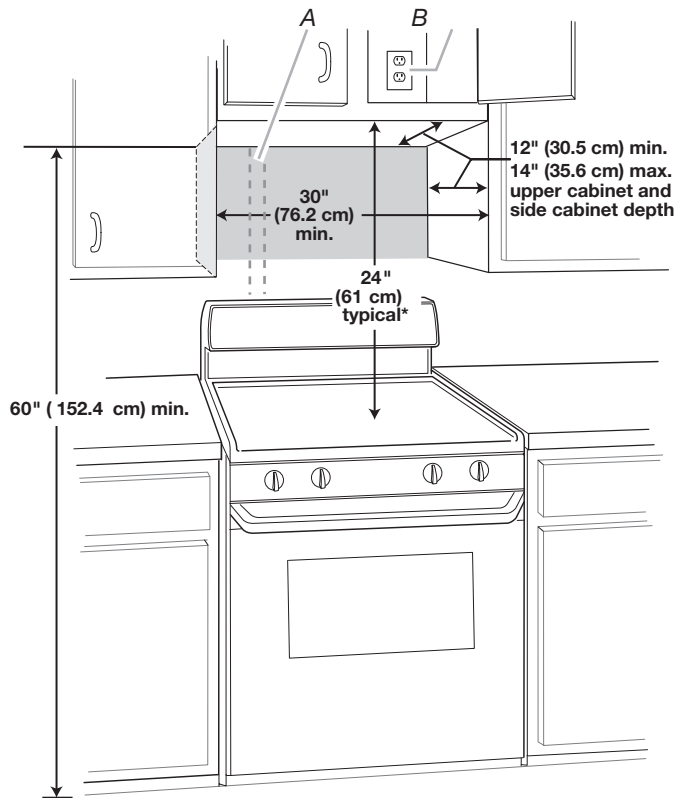


## SECTION II only

This section is used for around  $10\frac{5}{16}$ " (26.2 cm) product height installation.

### Installation Dimensions

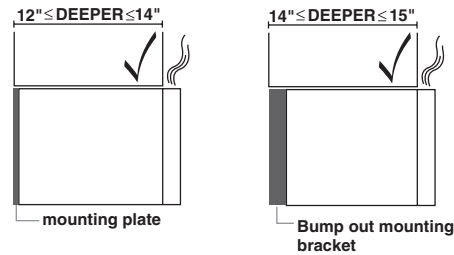
**NOTE:** The grounded 3 prong outlet must be inside the upper cabinet. See the "Electrical Requirements" section.



- A. 2" x 4" wall stud  
B. Grounded 3 prong outlet

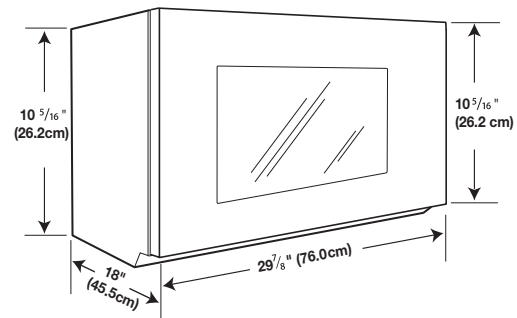
\*24" (61 cm) is typical for 60" (152.4 cm) installation height. Exact dimensions may vary depending on type of range/cooktop below.

**NOTE:** To ensure good performance, do not obstruct top vent airflow. If cabinets are deeper than 14" (35.6 cm) but no more than 15" (38.1cm), use the bump out mounting kit replacing the mounting plate from the wall. The bump out mounting kit (part # W11185746) is not provided and can be sourced independently from Whirlpool.



### Product Dimensions

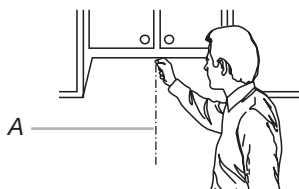
\*Overall depth of product will vary slightly depending on door design.



## Mark Rear Wall

The microwave oven must be installed on a minimum of 1 wall stud, preferably 2, using a minimum of 1 lag screw, preferably 2.

- Using measuring tape, find and clearly mark the vertical centerline of the opening.



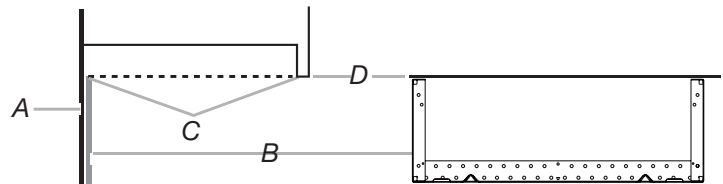
A. Centerline

- Align the center markers on the mounting template to the centerline on the wall, making sure it is level, and that the top of the mounting template is butted up against the bottom edge of the upper cabinet.

### NOTES:

- If the front edge of the upper cabinet is lower than the back edge, lower the mounting template so that its top is level with the front edge of the cabinet.

- If the mounting template is damaged or unusable, measure and mark the wall with the dimensions described in Step 4.

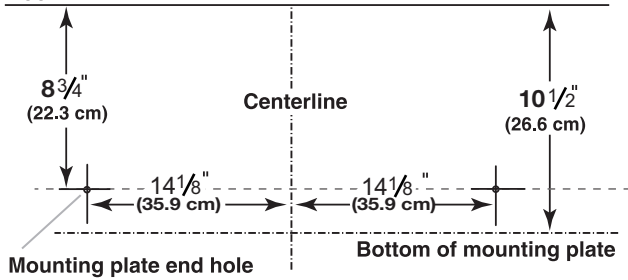


- A. Rear wall  
B. Mounting Template  
C. Top of mounting template must align with front edge of cabinet  
D. Front edge of upper cabinet

3. Holding the mounting template in place, mark both holes in the lower corners and draw a horizontal line across the bottom edge of the mounting template. These represent the mounting plate's end holes and bottom edge.

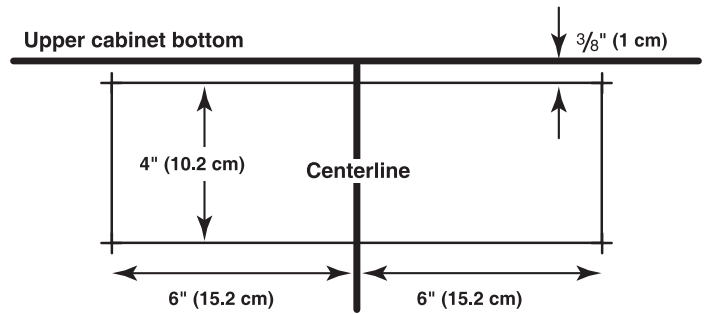
- Remove the mounting template and check the markings:

**Upper cabinet bottom**



- The bottom edge line must be 10<sup>1</sup>/<sub>2</sub>" (26.6 cm) from the bottom of the upper cabinet and must be level.
  - The end holes must be 8<sup>3</sup>/<sub>4</sub>" (22.3 cm) from the bottom edge of the upper cabinet and must be on a level line with each other. They must each be 14<sup>3</sup>/<sub>16</sub>" (36 cm) from the centerline.
- With the support tabs facing forward (see illustrations in the "Locate Wall Stud(s)" section), align the mounting plate center markers to the centerline on the wall, making sure its bottom edge is aligned to the horizontal line drawn in Step 3 and that the end holes are properly marked. Make sure the mounting plate is level.
  - Holding the mounting plate in place, find the wall stud centerline(s) drawn in Step 2 of "Locate Wall Stud(s)" and mark at least 1, preferably 2 hole(s) through the mounting plate, closest to the wall stud centerline(s). See figures 1, 2, and/or 3 in "Possible Wall Stud Configurations" in the "Locate Wall Stud(s)" section. The blackened holes in the shaded areas are ideal hole locations.
  - Set the mounting plate aside.

**Wall Venting Installation Only**



- Mark the centerline 3/8" (1 cm) down from the bottom edge of the upper cabinet.
- Using measuring tape, measure out 6" (15.2 cm) on both sides of the centerline, and mark.
- Measure down 4" (10.2 cm) from the mark made in Step 8 and mark.
- Using a straightedge, draw the 2 horizontal, level lines through the marks made in steps 8 and 10.
- Draw the 2 vertical plumb lines down from the marks made in Step 9 to complete the 12" x 4" (30.5 x 10.2 cm) rectangle. This is the venting cutout area.
- Cut a 3/4" (1.9 cm) hole in one corner of the cutout area.
- Using a keyhole saw, cut out the venting cutout area.

## Drill Holes in Rear Wall

In addition to being installed on at least 1 wall stud, the mounting plate must attach to the wall at both end holes. If the end holes are not over wall studs, use two 3/16-24 x 3" round-head bolts with toggle nuts; if 1 end hole is over a wall stud, use 1 lag screw and one 3/16-24 x 3" round-head bolt with toggle nut; or if both end holes are over wall studs, use 2 lag screws. Following are 3 installation configurations.

### Installation for No Wall Studs at End Holes (Figures 1 and 2)

1. Drill 5/8" (1.6 cm) holes through the wall at both end holes marked in Step 3 of "Mark Rear Wall."
2. Drill 3/16" (4.8 mm) hole(s) into the wall stud(s) at the hole(s) marked in Step 6 of "Mark Rear Wall." Refer to figures 1 and 2 in "Possible Wall Stud Configurations" in "Locate Wall Stud(s)" section.

### Installation for Wall Stud at One End Hole (Figure 3)

1. Drill a 3/16" (4.8 mm) hole into the wall stud at the end hole marked in Step 3 of "Mark Rear Wall."
2. If installing on a second wall stud, drill a 3/16" (4.8 mm) hole into the wall stud at the other hole marked in Step 6 of "Mark Rear Wall." Refer to Figure 3 in "Possible Wall Stud Configurations" in "Locate Wall Stud(s)" section.
3. Drill a 5/8" (1.6 cm) hole through the wall at the other end hole.

### Installation for Wall Studs at Both End Holes (Figure 4)

1. Drill 3/16" (4.8 mm) holes into the studs at the end holes marked in Step 3 of "Mark Rear Wall."

## Attach Mounting Plate to Wall

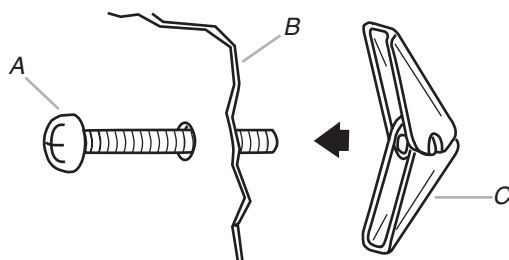
**NOTE:** Secure the mounting plate to the wall at both end holes drilled into the wall studs and/or drywall using either 3/16-24 x 3" round-head bolts and toggle nuts or 1/4x 2" lag screws.

Refer to illustrations in "Possible Wall Stud Configurations" in "Locate Wall Stud(s)" section.

### No Wall Studs at End Holes (Figures 1 and 2)

**NOTE:** The mounting plate must be secured to the wall on at least 1 wall stud as well as at both ends.

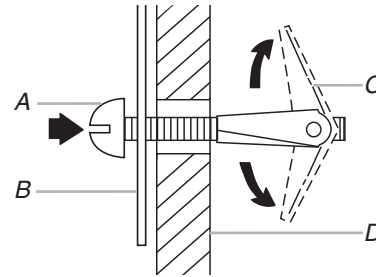
1. With the support tabs of the mounting plate facing forward, insert 3/16-24 x 3" round-head bolts through both end holes of mounting plate.
2. Start toggle nuts on bolts from the back of the mounting plate. Leave enough space for the toggle nuts to go through the wall and to open.



A. 3/16-24 x 3" round-head bolt  
B. Mounting plate  
C. Spring toggle nut

3. Position mounting plate on the wall.

4. Push the 2 bolts with toggle nuts through the drywall, and finger tighten the bolts to make sure toggle nuts have opened against drywall.



A. 3/16-24 x 3" round-head bolt  
B. Mounting plate  
C. Spring toggle nut  
D. Drywall

5. Insert lag screw(s) into the hole(s) drilled into wall stud(s) in Step 2 of "Installation for No Wall Studs at End Holes" in the "Drill Holes in Rear Wall" section.
6. Check alignment of mounting plate, making sure it is level.
7. Securely tighten all lag screws and bolts.

### Wall Stud at One End Hole (Figure 3)

1. With the support tabs of the mounting plate facing forward, insert a 3/16-24 x 3" round-head bolt through the end hole that fits over the 5/8" (1.6 cm) hole drilled in Step 3 of "Installation for Wall Stud at One End Hole" in the "Drill Holes in Rear Wall" section.
2. Start a toggle nut on the bolt from the back of the mounting plate. Leave enough space for the toggle nut to go through the wall and to open.
3. Position mounting plate on the wall.
4. Push the bolt with toggle nut through the drywall, and finger tighten the bolt to make sure toggle nut has opened against drywall.
5. Insert a lag screw into the remaining end hole.
6. If installing on a second wall stud, insert a lag screw into the other hole drilled in Step 2 of "Installation for Wall Stud at One End Hole" in the "Drill Holes in Rear Wall" section.
7. Check alignment of mounting plate, making sure it is level.
8. Securely tighten the lag screw(s) and bolt.

### Wall Studs at Both End Holes (Figure 4)

1. Position mounting plate on the wall.
2. Insert lag screws into both end holes.
3. Check alignment of mounting plate, making sure it is level.
4. Securely tighten the lag screws.

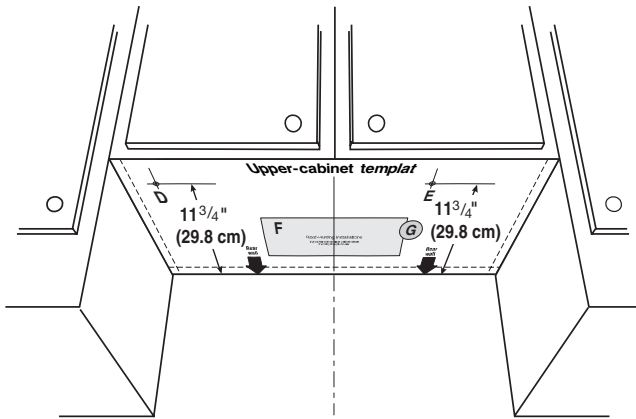
## Prepare Upper Cabinet

1. Disconnect power to outlet.
2. Remove all contents from upper cabinet.
3. Place Upper Cabinet Template against the bottom of the upper cabinet, and attach with tape or thumbtacks. Make sure the template centerline aligns with the vertical centerline on the rear wall.

The "rear wall" arrows must be against the rear wall so that the holes cut into the upper cabinet align with the holes in the top of the microwave oven.

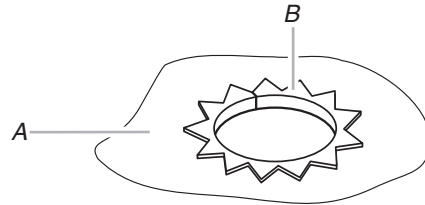
### NOTES:

- If the upper cabinet has a frame around it, trim the template edges so that it fits inside the frame, against the upper cabinet bottom. The template has trim lines to use as guides.
  - If the wall behind the microwave oven (as installed) has a partial wall covering (for example, tile backsplash), be sure the "Rear Wall" arrows align to the thickest part of the rear wall (for example, the thickness of the tiles rather than the drywall).
4. Make sure the 11<sup>3</sup>/<sub>4</sub>" (29.8 cm) dimension from the rear wall to points "D" and "E" on the template is maintained.



5. Cut the 1<sup>1</sup>/<sub>2</sub>" (3.8 cm) diameter hole at the circular shaded area "G" on the template. This hole is for the power supply cord.

**NOTE:** If upper cabinet is metal, the supply cord bushing needs to be installed around the supply cord hole as shown.



A. Metal cabinet

B. Power supply cord bushing

6. Drill 3/8" (9.5 mm) holes at points "D" and "E" on the template. These are for two 1/4-20 x 3" bolts and washers used to secure the microwave oven to the upper cabinet.

### For Roof Venting Installation Only

7. Cut 3/4" (1.9 cm) hole at one corner of the shaded rectangular area "F" on Upper Cabinet Template.
8. Using a keyhole saw, cut out the rectangular area.

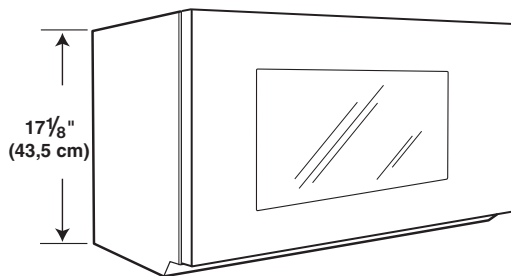
# INSTRUCCIONES DE INSTALACIÓN DE KIT DE COMBINACIÓN DE MICROONDAS Y CAMPANA SOBRESALIENTE

Si los gabinetes tienen una profundidad mayor a 35,6 cm (14") pero no mayor a 38,1 cm (15"), use el kit de montaje sobresaliente para reemplazar la placa de montaje que viene con la unidad.

Estas instrucciones de instalación se aplican solamente al kit de montaje sobresaliente, para la instalación completa de la combinación de la cubierta del microondas, consulte las instrucciones de instalación que se incluyeron con la combinación de la cubierta del microondas".

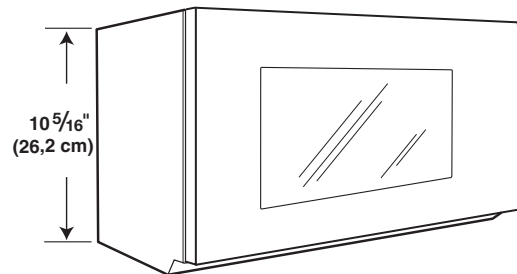
Estas instrucciones de instalación son adecuadas para dos dimensiones de altura de producto. Antes de la instalación, mida la altura de su producto y elija la sección I o la sección II para la instalación. Si altura de su producto es de alrededor de 17<sup>1</sup>/<sub>8</sub>" (43,5 cm), consulte la Sección I. Si la altura de su producto es de alrededor de 10<sup>5</sup>/<sub>16</sub>" (26,2 cm), consulte la Sección II.

## Sección I



Consulte la sección I instalación en las siguientes páginas.

## Sección II



Consulte la sección II instalación en las siguientes páginas.

## Índice

<b>SEGURIDAD DE LA COMBINACIÓN DE MICROONDAS Y CAMPANA...</b>	<b>14</b>
<b>SECCIÓN II Y I.....</b>	<b>15</b>
<b>REQUISITOS DE INSTALACIÓN .....</b>	<b>15</b>
Herramientas y piezas.....	15
Requisitos de ubicación.....	15
Ubique la(s) viga(s) de pared.....	16
<b>SECCIÓN I ÚNICAMENTE.....</b>	<b>17</b>
Dimensiones del producto .....	17
Marque la pared posterior.....	18
Taladre orificios en la pared posterior.....	19
Fije la placa de montaje a la pared .....	19
Preparación del gabinete superior.....	20
<b>SECCIÓN II ÚNICAMENTE.....</b>	<b>21</b>
Dimensiones del producto .....	21
Marque la pared posterior.....	21
Taladre orificios en la pared posterior.....	23
Fije la placa de montaje a la pared .....	23
Preparación del gabinete superior.....	24

# SEGURIDAD DE LA COMBINACIÓN DE MICROONDAS Y CAMPANA

## Su seguridad y la seguridad de los demás es muy importante.

Hemos incluido muchos mensajes importantes de seguridad en este manual y en su electrodoméstico. Lea y obedezca siempre todos los mensajes de seguridad.



Este es el símbolo de alerta de seguridad.

Este símbolo le llama la atención sobre peligros potenciales que pueden ocasionar la muerte o una lesión a usted y a los demás.

Todos los mensajes de seguridad irán a continuación del símbolo de advertencia de seguridad y de la palabra "PELIGRO" o "ADVERTENCIA". Estas palabras significan:

 **PELIGRO**

**Si no sigue las instrucciones de inmediato, usted puede morir o sufrir una lesión grave.**

 **ADVERTENCIA**

**Si no sigue las instrucciones, usted puede morir o sufrir una lesión grave.**

Todos los mensajes de seguridad le dirán el peligro potencial, le dirán cómo reducir las posibilidades de sufrir una lesión y lo que puede suceder si no se siguen las instrucciones.

# SECCIÓN II Y I

## REQUISITOS DE INSTALACIÓN

### Herramientas y piezas

#### Herramientas necesarias

Reúna las herramientas y piezas necesarias antes de comenzar la instalación. Lea y siga las instrucciones provistas con cualquiera de las herramientas detalladas aquí.

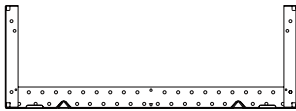
- Cinta métrica
- Lápiz
- Cinta de enmascarar o tachuelas
- Tijeras
- Cinta para ductos
- Alicate de corte diagonal para cable
- Detector de vigas
- Llave de cubo (o llave de punta hexagonal) de 7/16" para tirafondos de 1/4" x 12"
- Destornillador Phillips n.º 3 para pernos de 1/420 x 3"
- Taladro
- Brocas de barrena de 3/16" (4,8 mm), 3/8" (9,5 mm), 5/8" (1,6 cm)
- Sierra perforadora de 3/4" (1,9 cm)
- Broca de barrena para un orificio con un diám. de 1½" (3,8 cm) para el gabinete de madera o de metal
- Sierra caladora
- Pistola para calafateo y compuesto para calafateo impermeable

#### Materiales necesarios

- Accesorios estándar para la ventilación a través de la pared o del techo. Vea la sección "Especificaciones para el diseño de la ventilación".

#### Piezas incluidas:

- Soporte de montaje



- Instrucciones de instalación
- Plantilla de pared (para SECCIÓN I únicamente)
- Plantilla del gabinete superior

### Requisitos de ubicación

**IMPORTANTE:** Verifique la abertura donde se instalará el horno microondas. La ubicación debe ofrecer:

- Dimensiones de instalación mínimas. Consulte la ilustración "Dimensiones de instalación".
- Al menos una viga para pared de madera de 2" x 4" (50,8 x 101,6 mm) y un muro de mampostería o yeso/listón con un espesor mínimo de 3/8" (1 cm) dentro de la abertura del gabinete.
- Soporte para un peso de 150 libras (68 kg), lo cual incluye el horno de microondas y los objetos que se coloquen en su interior, así como en el gabinete superior.
- Un contacto eléctrico conectado a tierra dentro del gabinete superior. Consulte la sección "Requisitos eléctricos".

#### NOTAS:

- Si va a instalar el horno de microondas cerca de una pared lateral izquierda, asegúrese de dejar un espacio de al menos 6" (15,2 cm) entre la pared y el horno de microondas, para que la puerta se pueda abrir en toda su extensión.
- Algunos gabinetes y materiales de construcción no están diseñados para resistir el calor que produce el horno de microondas durante la cocción. Verifique con el constructor o con el distribuidor de armarios para asegurarse de que los materiales que se usen no cambien de color, se astillen ni sufran otros daños.

#### Requisitos especiales

##### Solamente para la instalación con ventilación en la pared:

- El recorte deberá estar libre de cualquier obstrucción para que el tubo de ventilación encaje como es debido y la hoja de la compuerta de tiro se abra libremente y por completo.

##### Solamente para la instalación con ventilación en el techo:

- Si usa un tubo de transición de rectangular a redondo, deberá haber un espacio de 3" (7,6 cm) por encima del horno de microondas, para que la hoja de la compuerta de tiro pueda abrirse libremente y por completo. Consulte la ilustración "Tubo de transición rectangular a redondo" en la sección "Especificaciones para el diseño de la ventilación".

## Ubique la(s) viga(s) de pared

**NOTA:** Si no hay pies derechos de pared dentro de la abertura del gabinete, no instale el horno microondas.

Vea las ilustraciones en “Posibles configuraciones de las vigas de pared”.

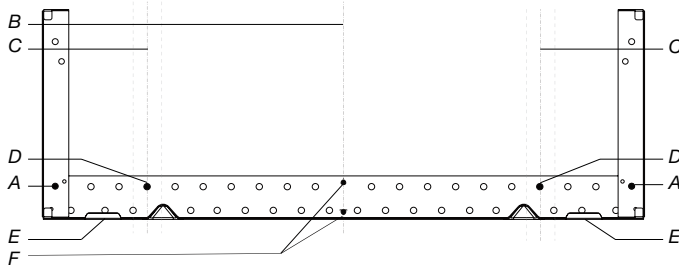
1. Ubique los bordes de las vigas de pared dentro de la abertura con un detector de vigas.
2. Marque el centro de cada viga y trace una línea a plomo hacia abajo desde el centro de cada viga. Vea las ilustraciones en “Posibles configuraciones de las vigas de pared”.

### Posibles configuraciones de las vigas de pared

Estas representaciones muestran ejemplos de las configuraciones de instalación preferidas con la placa de montaje.

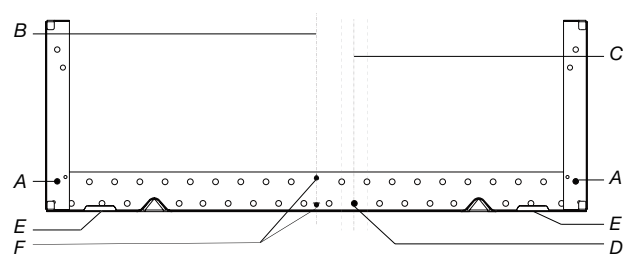
#### Sin vigas de pared en los orificios de extremo

Figura 1



#### Sin vigas de pared en los orificios de extremo

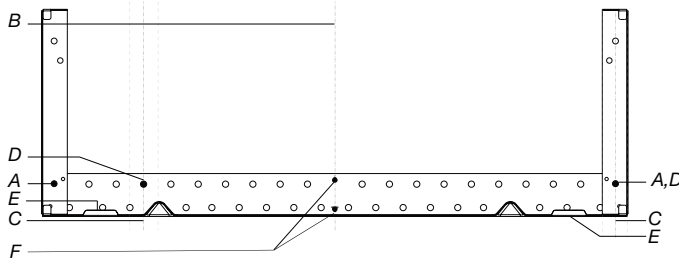
Figura 2



**NOTA:** si las vigas de pared están a no más de 6" (15,2 cm) de la línea central vertical (consulte la sección “Marque la pared posterior”), solamente se podrá hacer una instalación con recirculación o una instalación con ventilación en el techo.

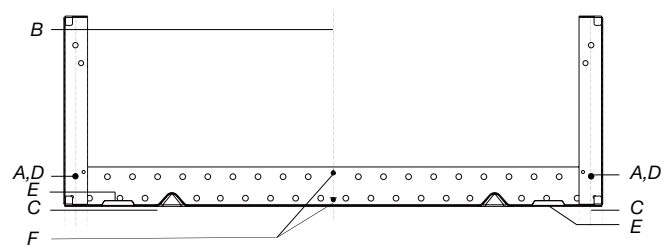
#### Vigas de pared en orificios de extremo

Figura 3



#### Vigas de pared en orificios de extremo

Figura 4



- A. Orificios de extremo (en la placa de montaje)
- B. Línea central vertical de la abertura del gabinete
- C. Líneas centrales de las vigas de pared
- D. Orificios para tirafondos
- E. Lengüetas de soporte
- F. Marcas centrales de la placa de montaje



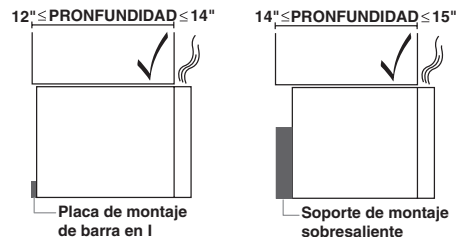
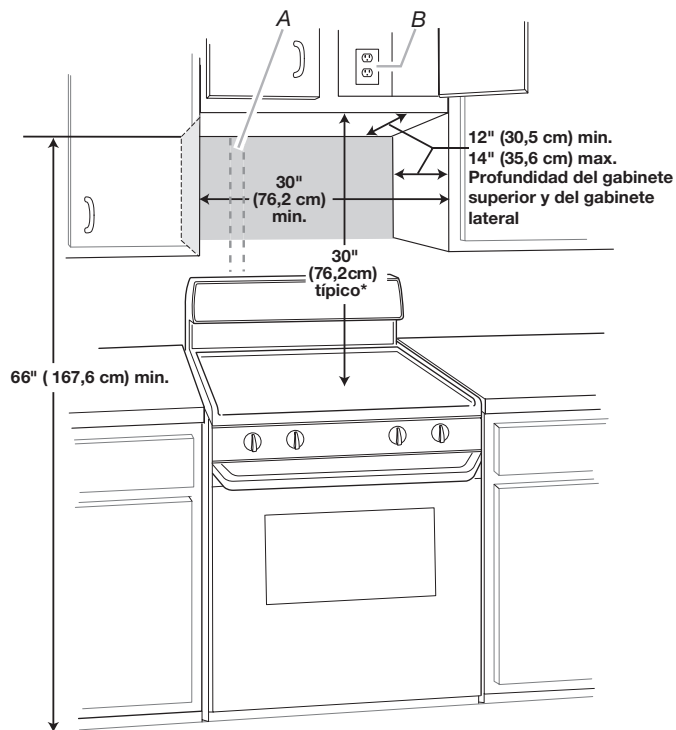
# SECCIÓN I únicamente

Esta sección se usa para la instalación de productos de una altura de alrededor de 17<sup>1</sup>/<sub>8</sub>" (43,5 cm).

## Dimensiones de instalación

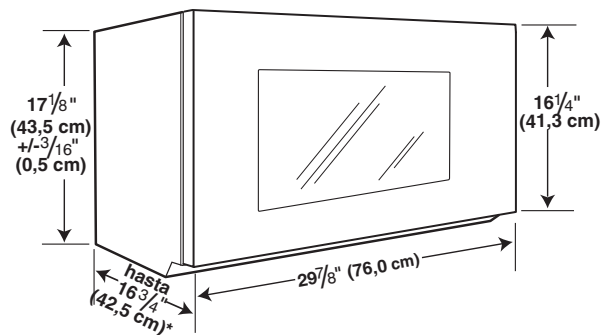
**NOTA:** El tomacorriente de pared de 3 terminales con conexión a tierra debe estar dentro del gabinete superior. Consulte la sección "Requisitos eléctricos".

**NOTA:** Para asegurar un buen rendimiento, no obstruya el flujo de aire de la ventilación superior. Si los gabinetes tienen una profundidad mayor a 14" (35,6 cm) pero no mayor a 15" (38,1 cm), use el kit de montaje sobresaliente para reemplazar la placa de montaje de barra en I del muro. El kit de montaje sobresaliente (n.º de parte W11185746) no se incluye y se puede adquirir de forma independiente con Whirlpool.



## Dimensiones del producto

\*La profundidad global del producto variará ligeramente según el diseño de la puerta.



A. Viga de pared de 2" x 4" (5,1 cm x 10,2 cm)

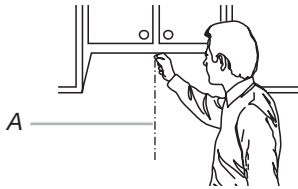
B. Tomacorriente de 3 terminales con conexión a tierra

\*30" (76,2 cm) es lo típico para una altura de instalación de 66" (167,6 cm). Las medidas exactas pueden variar según el tipo de estufa/superficie de cocción que haya debajo.

## Marque la pared posterior

El horno de microondas deberá instalarse como mínimo sobre 1 viga de pared, preferentemente 2, usando como mínimo 1 tirafondo, preferentemente 2.

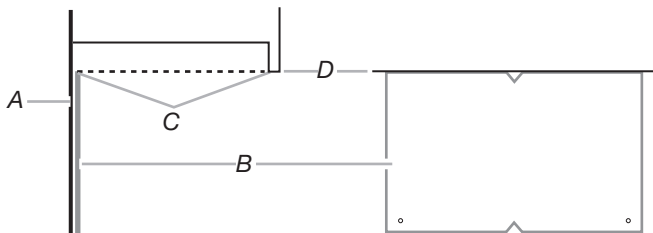
1. Con la cinta de medir, ubique y marque claramente la línea central vertical de la abertura.



2. Alinee las marcas centrales de la plantilla de pared con la línea central en la pared; asegúrese de que esté nivelada y que la parte superior de la plantilla de pared esté a tope contra el borde inferior del gabinete superior.

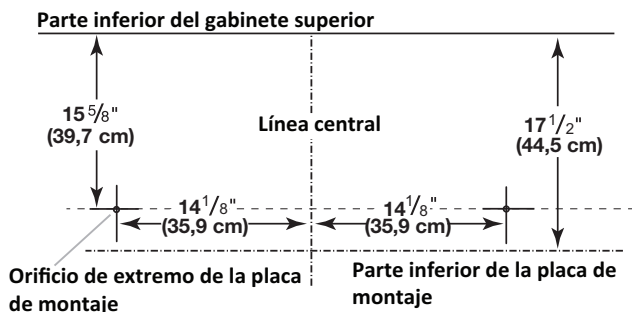
### NOTAS:

- si el borde frontal del gabinete superior está más bajo que el borde posterior, baje la plantilla de pared para que la parte superior quede nivelada con el borde frontal del gabinete.
- Si la plantilla de pared está dañada o no puede usarse, mida y marque la pared con las dimensiones descritas en el paso 4.



- A. Pared posterior
- B. Plantilla de pared
- C. La parte superior de la plantilla de pared deberá alinearse con el borde frontal del gabinete
- D. Borde frontal del gabinete superior

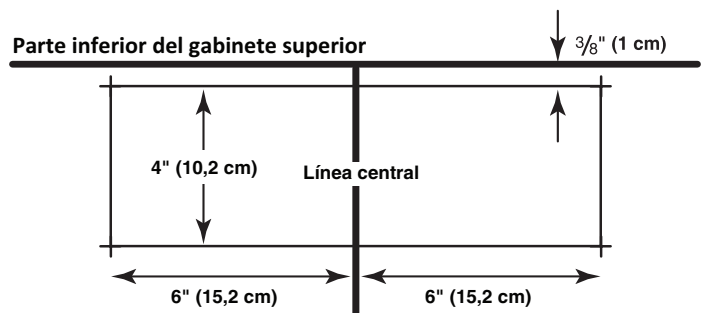
3. Mientras sujeta la plantilla de muro, marque ambos orificios en las esquinas inferiores y trace una línea horizontal por el borde inferior de la plantilla de muro. Estas marcas representan los orificios de extremo de la placa de muro y el borde inferior.
4. Retire la plantilla de pared y verifique las marcas:



- La línea del borde inferior debe estar a 17 1/2" (44,5 cm) de la parte inferior del gabinete superior y debe estar nivelada.
- Los orificios de extremo deben estar a 15 5/8" (39,7 cm) del borde inferior del gabinete superior y deben estar alineados entre sí. Deben estar a 14 1/8" (35,9 cm) de la línea central.

5. Con las lengüetas de soporte mirando hacia adelante (vea las ilustraciones en la sección "Ubique las vigas"), alinee las marcas centrales de la placa de montaje con la línea central de la pared y asegúrese de que el borde inferior esté alineado con la línea horizontal trazada en el paso 3 y que los orificios de extremo estén debidamente marcados. Cerciórese de que la placa de montaje esté nivelada.
6. Sostenga la placa de montaje en su lugar y busque las líneas centrales de las vigas de la pared trazadas en el paso 2 de "Ubique las vigas de pared"; marque al menos 1 o preferentemente 2 orificios a través de la placa de montaje lo más cercano a las líneas centrales. Vea las figuras 1, 2 y/o 3 en "Posibles configuraciones de las vigas de pared" en la sección "Ubique las vigas de pared". Los orificios ennegrecidos en las áreas sombreadas son las ubicaciones ideales para los orificios.
7. Reserve la placa de montaje.

### Solamente para la instalación con ventilación por la pared



8. Marque la línea central de 3/8" (1 cm) hacia abajo desde el extremo inferior del gabinete superior.
9. Usando una cinta de medir, mida hacia afuera 6" (15,2 cm) a ambos lados de la línea central y marque.
10. Mida hacia abajo 4" (10,2 cm) desde la marca que hizo en el paso 8 y marque.
11. Trace con una regla 2 líneas niveladas horizontales a través de las marcas que hizo en los pasos 8 y 10.
12. Trace las 2 líneas verticales a plomo hacia abajo desde las marcas hechas en el paso 9 para completar el rectángulo de 12" x 4" (30,5 x 10,2 cm). Esa es el área de recorte para la ventilación.
13. Corte un orificio de 3/4" (1,9 cm) en una esquina del área de recorte.
14. Corte el área de recorte de la ventilación con una sierra caladora.

## Taladre orificios en la pared posterior

Además de instalar la placa de montaje en al menos 1 viga, se la debe sujetar a la pared en ambos orificios de extremo. Si los orificios de extremo no están sobre vigas de pared, use dos pernos de cabeza redonda de  $\frac{3}{16}$ -24 x 3" (7,62 cm) con tuercas de palanca; si 1 orificio de extremo está sobre una viga de pared, use 1 tirafondo y 1 perno de cabeza redonda de  $\frac{3}{16}$ -24 x 3" (7,62 cm) con una tuerca de palanca; o si ambos orificios de extremo se encuentran sobre vigas de pared, use 2 tirafondos. A continuación se incluyen 3 configuraciones de instalación.

### Instalación sin vigas de pared en los orificios de extremo (figuras 1 y 2)

1. Taladre orificios de  $\frac{5}{8}$ " (1,6 cm) a través de la pared en los dos orificios de extremo que se marcaron en el paso 3 de "Marque la pared posterior".
2. Taladre orificios de  $\frac{3}{16}$ " (5 mm) en las vigas de pared en los orificios que se marcaron en el paso 6 de "Marque la pared posterior". Consulte las figuras 1 y 2 en "Posibles configuraciones de las vigas de pared" de la sección "Ubique las vigas de pared".

### Instalación de una viga de pared en un orificio de extremo (figura 3)

1. Taladre un orificio de  $\frac{3}{16}$ " (5 mm) a través de la viga de pared en el orificio de extremo que se marcó en el paso 3 de "Marque la pared posterior".
2. Si instala una segunda viga de pared, taladre un orificio de  $\frac{3}{16}$ " (5 mm) a través de la viga de pared en el otro orificio marcado en el paso 6 de "Marque la pared posterior". Consulte la figura 3 en "Posibles configuraciones de las vigas de pared" de la sección "Ubique las vigas de pared".
3. Taladre un orificio de  $\frac{5}{8}$ " (1,6 cm) a través de la pared en el otro orificio de extremo.

### Instalación para vigas de pared en ambos orificios de extremo (figura 4)

1. Taladre un orificio de  $\frac{3}{16}$ " (5 mm) a través de la viga de pared en los orificios de extremo que se marcaron en el paso 3 de "Marque la pared posterior".

## Fije la placa de montaje a la pared

**NOTA:** asegure la placa de montaje a la pared en ambos orificios de extremo perforados en las vigas de pared y/o en la mampostería con pernos de cabeza redonda de  $\frac{3}{16}$ -24 x 3" y tuercas de palanca o con tirafondos de  $\frac{1}{4}$  x 2".

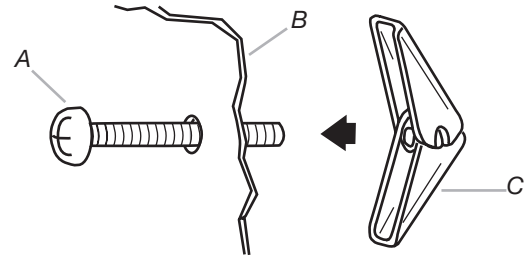
Consulte las ilustraciones de "Posibles configuraciones de las vigas de pared" en la sección "Ubique las vigas de pared".

### Sin vigas de pared en los orificios de extremo (figuras 1 y 2)

**NOTA:** la placa de montaje se debe asegurar a la pared en al menos 1 viga de pared y también en ambos extremos.

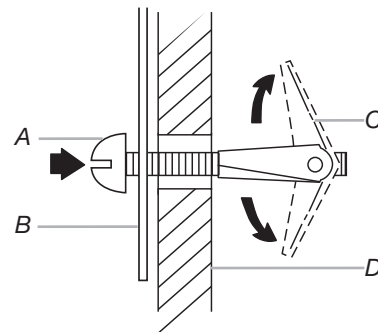
1. Con las lengüetas de soporte de la placa de montaje mirando hacia adelante, inserte pernos de cabeza redonda de  $\frac{3}{16}$ -24 x 3" a través de ambos orificios de extremo de la placa de montaje.

2. Coloque tuercas de palanca en los pernos de la parte posterior de la placa de montaje. Deje suficiente espacio para que las tuercas de palanca atraviesen la pared y se abran.



A. Perno de cabeza redonda de  $\frac{3}{16}$ -24 x 3"  
B. Placa de montaje  
C. Tuerca de palanca con resorte

3. Coloque la placa de montaje en la pared.
4. Empuje los 2 pernos con las tuercas de palanca a través de la mampostería y apriete manualmente los pernos para asegurarse de que las tuercas de palanca se hayan abierto contra la mampostería.



A. Perno de cabeza redonda de  $\frac{3}{16}$ -24 x 3"  
B. Placa de montaje  
C. Tuerca de palanca con resorte  
D. Mampostería

5. Inserte los tirafondos en los orificios taladrados en las vigas de pared en el paso 2 de "Instalación sin vigas de pared en los orificios de extremo" en la sección "Taladre orificios en la pared posterior".
6. Controle la alineación de la placa de montaje y asegúrese de que esté nivelada.
7. Ajuste bien todos los tirafondos y pernos.

### Viga de pared en un orificio de extremo (figura 3)

1. Con las lengüetas de soporte de la placa de montaje mirando hacia adelante, inserte un perno de cabeza redonda de  $\frac{3}{16}$ -24 x 3" a través del orificio de extremo que encaje en el orificio de  $\frac{5}{8}$ " (1,6 cm) taladrado en el paso 3 de "Instalación para una viga de pared en un orificio de extremo" en la sección "Taladre orificios en la pared posterior".
2. Coloque una tuerca de palanca en el perno de la parte posterior de la placa de montaje. Deje suficiente espacio para que la tuerca de palanca pueda atravesar la pared y abrirse.
3. Coloque la placa de montaje en la pared.
4. Empuje el perno con la tuerca de palanca a través de la mampostería y apriete manualmente el perno para asegurarse de que la tuerca de palanca se haya abierto contra la mampostería.
5. Inserte un tirafondo en el orificio de extremo restante.

- Si se hace la instalación en una segunda viga de pared, inserte un tirafondo en el otro orificio taladrado en el paso 2 de "Instalación para una viga de pared en un orificio de extremo" en la sección "Taladre orificios en la pared posterior".
- Controle la alineación de la placa de montaje y asegúrese de que esté nivelada.
- Apriete con firmeza los tirafondos y el perno.

#### Vigas de pared en ambos orificios de extremo (figura 4)

- Coloque la placa de montaje en la pared.
- Inserte los tirafondos en ambos orificios de extremo.
- Controle la alineación de la placa de montaje y asegúrese de que esté nivelada.
- Ajuste firmemente los tirafondos.

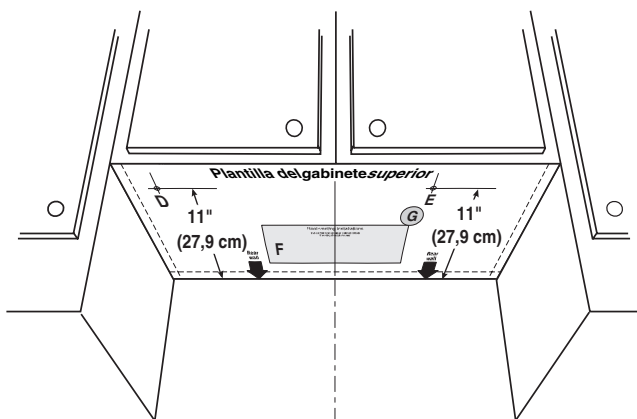
### Preparación del gabinete superior

- Desconecte el suministro eléctrico que alimenta el contacto de pared.
- Retire todo el contenido del gabinete superior.
- Coloque la plantilla del gabinete superior contra la parte inferior del gabinete superior; fije con cinta adhesiva o con tachuelas. Asegúrese de que la línea central de la plantilla quede alineada con la línea central vertical en la pared posterior.

Las flechas que indican "Rear Wall" (Pared posterior) deben estar contra la pared posterior para que los orificios que se cortaron en el gabinete superior queden alineados con los orificios de la parte superior del horno de microondas.

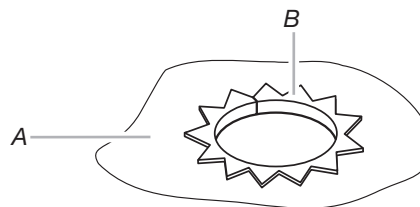
#### NOTAS:

- si el gabinete superior tiene un marco alrededor, recorte los bordes de la plantilla para que encaje dentro del marco, contra el fondo del gabinete superior. La plantilla tiene líneas de recorte que sirven de guía.
  - Si la pared detrás del horno de microondas (según se haya instalado) tiene un revestimiento de pared parcial (p. ej. protección contra salpicaduras de baldosas), asegúrese de que las flechas que indican "Rear Wall" (Pared posterior) se alineen con la parte más gruesa de la pared posterior (por ejemplo, el espesor de las baldosas y no el del panel de yeso).
- Asegúrese de mantener la medida de 11" (27,9 cm) de la pared posterior a los puntos "D" y "E" en la plantilla.



- Recorte un orificio de 1 1/2" (3,8 cm) de diámetro en el área sombreada circular "G" en la plantilla. Este orificio será para el cable de suministro de energía.

**NOTA:** si el gabinete superior es de metal, el buje del cable de suministro se debe instalar alrededor del orificio del cable de suministro, como se muestra.



A. Gabinete de metal

B. Buje del cable de suministro de electricidad

- Taladre orificios de 3/8" (1 cm) en los puntos "D" y "E" de la plantilla. Son para dos pernos de -20 x 3" y las arandelas que se usan para asegurar el horno de microondas al gabinete superior.

#### Solamente para la instalación con ventilación en el techo:

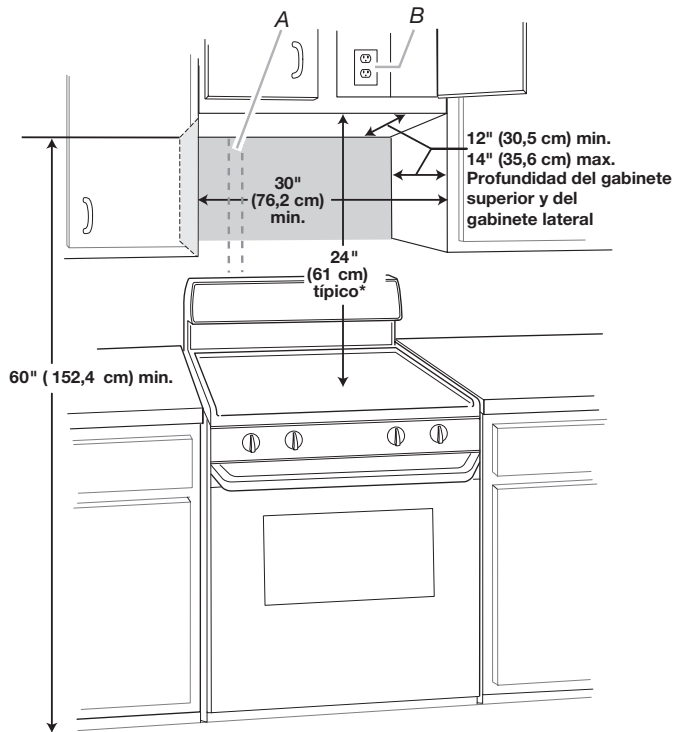
- Recorte un orificio de 3/4" (1,9 cm) en una esquina del área sombreada rectangular "F" en la plantilla del gabinete superior.
- Recorte el área rectangular con una sierra caladora.

## SECCIÓN II únicamente

Esta sección se usa para la instalación de productos de una altura de alrededor de 10<sup>5</sup>/<sub>16</sub>" (26,2 cm).

### Dimensiones de instalación

**NOTA:** El tomacorriente de pared de 3 terminales con conexión a tierra debe estar dentro del gabinete superior. Consulte la sección "Requisitos eléctricos".

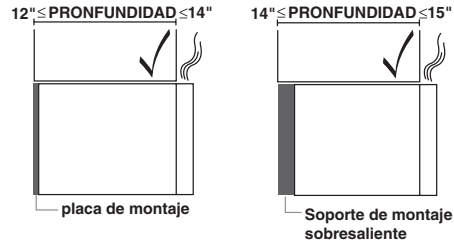


A. Viga de pared de 2" x 4"

B. Contacto de 3 terminales con conexión a tierra

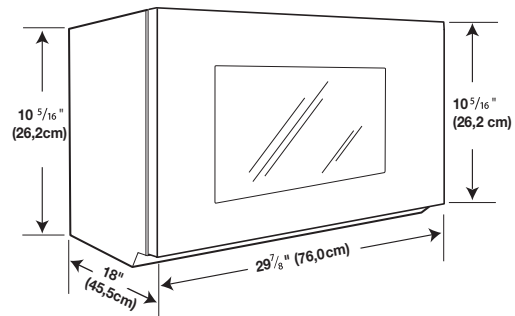
\*24" (61 cm) es lo típico para una altura de instalación de 60" (152,4 cm). Las medidas exactas pueden variar según el tipo de estufa/superficie de cocción que haya debajo.

**NOTA:** Para asegurar un buen rendimiento, no obstruya el flujo de aire de la ventilación superior. Si los gabinetes tienen una profundidad mayor a 14" (35,6 cm) pero no mayor a 15" (38,1 cm), use el kit de montaje sobresaliente para reemplazar la placa de montaje del muro. El kit de montaje sobresaliente (n.º de parte W11185746) no se incluye y se puede adquirir de forma independiente con Whirlpool.



### Dimensiones del producto

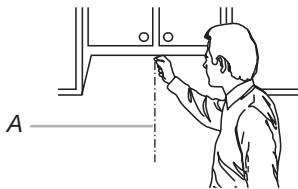
\*La profundidad global del producto variará ligeramente según el diseño de la puerta.



## Marque la pared posterior

El horno de microondas deberá instalarse como mínimo sobre 1 viga de pared, preferentemente 2, usando como mínimo 1 tirafondo, preferentemente 2.

1. Con la cinta de medir, ubique y marque claramente la línea central vertical de la abertura.



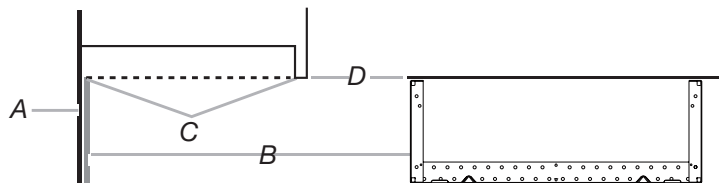
A. Línea central

2. Alinee las marcas centrales de la plantilla de montaje con la línea central en la pared; asegúrese de que esté nivelada y que la parte superior de la plantilla de montaje esté a tope contra el borde inferior del gabinete superior.

### NOTAS:

■ si el borde frontal del gabinete superior está más bajo que el borde posterior, baje la plantilla de montaje para que la parte superior quede nivelada con el borde frontal del gabinete.

■ Si la plantilla de montaje está dañada o no puede usarse, mida y marque la pared con las dimensiones descritas en el Paso 4.



A. Pared posterior

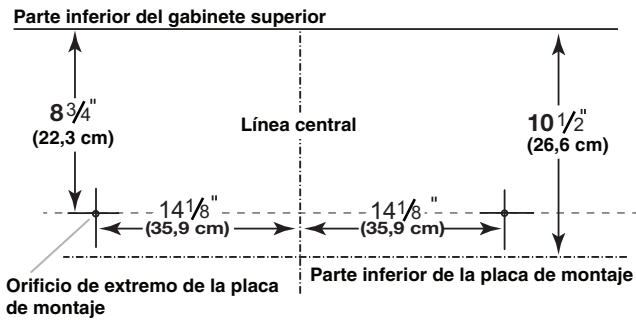
B. Placa de montaje

C. La parte superior de la plantilla de montaje debe alinearse con el borde frontal del gabinete

D. Borde frontal del gabinete superior

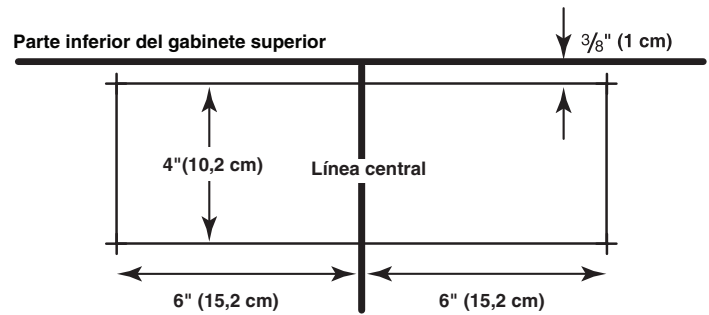
3. Mientras sujeta la plantilla de montaje, marque ambos orificios en las esquinas inferiores y trace una línea horizontal por el borde inferior de la plantilla de montaje. Estas marcas representan los orificios de extremo de la placa de montaje y el borde inferior.

4. Retire la plantilla de montaje y verifique las marcas:



- La línea del borde inferior debe estar a 10 <sup>1</sup>/<sub>2</sub>" (26,6 cm) de la parte inferior del gabinete superior y debe estar nivelada.
  - Los orificios de extremo deben estar a 8 <sup>3</sup>/<sub>4</sub>" (22,3 cm) del borde inferior del gabinete superior y deben estar alineados entre sí. Deben estar a 14 <sup>3</sup>/<sub>16</sub>" (36 cm) de la línea central.
5. Con las lengüetas de soporte mirando hacia adelante (vea las ilustraciones en la sección "Ubique las vigas"), alinee las marcas centrales de la placa de montaje con la línea central de la pared y asegúrese de que el borde inferior esté alineado con la línea horizontal trazada en el paso 3 y que los orificios de extremo estén debidamente marcados. Cerciórese de que la placa de montaje esté nivelada.
6. Sostenga la placa de montaje en su lugar y busque las líneas centrales de las vigas de la pared trazadas en el paso 2 de "Ubique las vigas de pared"; marque al menos 1 o preferentemente 2 orificios a través de la placa de montaje lo más cercano a las líneas centrales. Vea las figuras 1, 2 y/o 3 en "Posibles configuraciones de las vigas de pared" en la sección "Ubique las vigas de pared". Los orificios ennegrecidos en las áreas sombreadas son las ubicaciones ideales para los orificios.
7. Reserve la placa de montaje.

### Solamente para la instalación con ventilación por la pared



8. Marque la línea central de 3/8" (1 cm) hacia abajo desde el extremo inferior del gabinete superior.
9. Usando una cinta de medir, mida hacia afuera 6" (15,2 cm) a ambos lados de la línea central y marque.
10. Mida hacia abajo 4" (10,2 cm) desde la marca que hizo en el paso 8 y marque.
11. Trace con una regla 2 líneas niveladas horizontales a través de las marcas que hizo en los pasos 8 y 10.
12. Trace las 2 líneas verticales a plomo hacia abajo desde las marcas hechas en el paso 9 para completar el rectángulo de 12" x 4" (30,5 x 10,2 cm). Esa es el área de recorte para la ventilación.
13. Corte un orificio de 3/4" (1,9 cm) en una esquina del área de recorte.
14. Corte el área de recorte de la ventilación con una sierra caladora.

## Taladre orificios en la pared posterior

Además de instalar la placa de montaje en al menos 1 viga, se la debe sujetar a la pared en ambos orificios de extremo. Si los orificios de extremo no están sobre vigas de pared, use dos pernos de cabeza redonda de 3/16-24 x 3" con tuercas de palanca; si 1 orificio de extremo está sobre una viga de pared, use 1 tirafondo y 1 perno de cabeza redonda de 3/16-24 x 3" con una tuerca de palanca; o si ambos orificios de extremo se encuentran sobre vigas de pared, use 2 tirafondos. A continuación se incluyen 3 configuraciones de instalación.

### Instalación sin vigas de pared en los orificios de extremo (figuras 1 y 2)

1. Taladre orificios de 5/8" (1,6 cm) a través de la pared en los dos orificios de extremo que se marcaron en el paso 3 de "Marque la pared posterior".
2. Taladre orificios de 3/16" (4,8 mm) en las vigas de pared en los orificios que se marcaron en el paso 6 de "Marque la pared posterior". Consulte las figuras 1 y 2 en "Posibles configuraciones de las vigas de pared" de la sección "Ubique las vigas de pared".

### Instalación de una viga de pared en un orificio de extremo (figura 3)

1. Taladre un orificio de 3/16" (4,8 mm) a través de la viga de pared en el orificio de extremo que se marcó en el paso 3 de "Marque la pared posterior".
2. Si instala una segunda viga de pared, taladre un orificio de 3/16" (4,8 mm) a través de la viga de pared en el otro orificio marcado en el paso 6 de "Marque la pared posterior". Consulte la figura 3 en "Posibles configuraciones de las vigas de pared" de la sección "Ubique las vigas de pared".
3. Taladre un orificio de 5/8" (1,6 cm) a través de la pared en el otro orificio de extremo.

### Instalación para vigas de pared en ambos orificios de extremo (Figura 4)

1. Taladre orificios de 3/16" (4,8 mm) a través de las vigas en los orificios de extremo que se marcaron en el paso 3 de "Marque la pared posterior".

## Fije la placa de montaje a la pared

**NOTA:** asegure la placa de montaje a la pared en ambos orificios de extremo perforados en las vigas de pared y/o en la mampostería con pernos de cabeza redonda de 3/16-24 x 3" y tuercas de palanca o con tirafondos de 1/4" x 2".

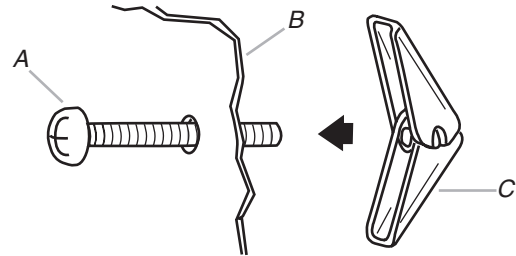
Consulte las ilustraciones de "Posibles configuraciones de las vigas de pared" en la sección "Ubique las vigas de pared".

### Sin vigas de pared en los orificios de extremo (figuras 1 y 2)

**NOTA:** la placa de montaje se debe asegurar a la pared en al menos 1 viga de pared y también en ambos extremos.

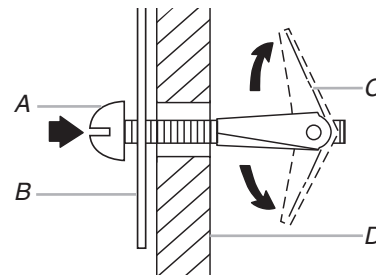
1. Con las lengüetas de soporte de la placa de montaje mirando hacia adelante, inserte pernos de cabeza redonda de 3/16-24 x 3" a través de ambos orificios de extremo de la placa de montaje.

2. Coloque tuercas de palanca en los pernos de la parte posterior de la placa de montaje. Deje suficiente espacio para que las tuercas de palanca atraviesen la pared y se abran.



A. Perno de cabeza redonda de 3/16-24 x 3"  
B. Placa de montaje  
C. Tuerca de palanca con resorte

3. Coloque la placa de montaje en la pared.
4. Empuje los 2 pernos con las tuercas de palanca a través de la mampostería y apriete manualmente los pernos para asegurarse de que las tuercas de palanca se hayan abierto contra la mampostería.



A. Perno de cabeza redonda de 3/16-24 x 3"  
B. Placa de montaje  
C. Tuerca de palanca con resorte  
D. Mampostería

5. Inserte los tirafondos en los orificios taladrados en las vigas de pared en el paso 2 de "Instalación sin vigas de pared en los orificios de extremo" en la sección "Taladre orificios en la pared posterior".
6. Controle la alineación de la placa de montaje y asegúrese de que esté nivelada.
7. Ajuste bien todos los tirafondos y pernos.

### Viga de pared en un orificio de extremo (figura 3)

1. Con las lengüetas de soporte de la placa de montaje mirando hacia adelante, inserte un perno de cabeza redonda de 3/16-24 x 3" a través del orificio de extremo que encaje en el orificio de 5/8" (1,6 cm) taladrado en el paso 3 de "Instalación para una viga de pared en un orificio de extremo" en la sección "Taladre orificios en la pared posterior".
2. Coloque una tuerca de palanca en el perno de la parte posterior de la placa de montaje. Deje suficiente espacio para que la tuerca de palanca pueda atravesar la pared y abrirse.
3. Coloque la placa de montaje en la pared.
4. Empuje el perno con la tuerca de palanca a través de la mampostería y apriete manualmente el perno para asegurarse de que la tuerca de palanca se haya abierto contra la mampostería.
5. Inserte un tirafondo en el orificio de extremo restante.
6. Si se hace la instalación en una segunda viga de pared, inserte un tirafondo en el otro orificio taladrado en el paso 2 de "Instalación para una viga de pared en un orificio de extremo" en la sección "Taladre orificios en la pared posterior".

7. Controle la alineación de la placa de montaje y asegúrese de que esté nivelada.
8. Apriete con firmeza los tirafondos y el perno.

### Vigas de pared en ambos orificios de extremo (figura 4)

1. Coloque la placa de montaje en la pared.
2. Inserte los tirafondos en ambos orificios de extremo.
3. Controle la alineación de la placa de montaje y asegúrese de que esté nivelada.
4. Ajuste firmemente los tirafondos.

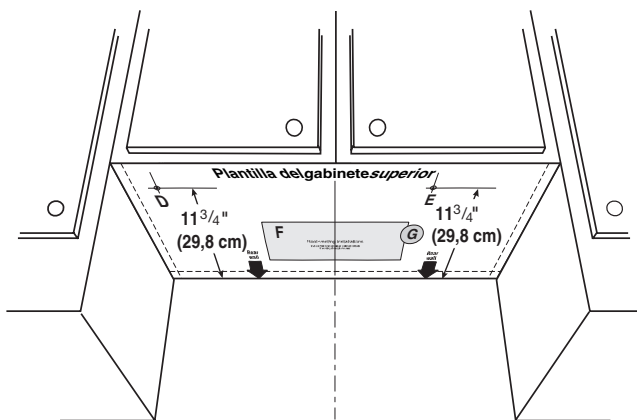
### Preparación del gabinete superior

1. Desconecte el suministro eléctrico que alimenta el contacto de pared.
2. Retire todo el contenido del gabinete superior.
3. Coloque la plantilla del gabinete superior contra la parte inferior del gabinete superior; fije con cinta adhesiva o con tachuelas. Asegúrese de que la línea central de la plantilla quede alineada con la línea central vertical en la pared posterior.

Las flechas que indican "Rear Wall" (Pared posterior) deben estar contra la pared posterior para que los orificios que se cortaron en el gabinete superior queden alineados con los orificios de la parte superior del horno de microondas.

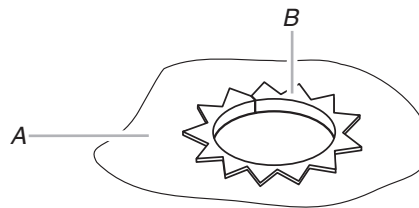
#### NOTAS:

- si el gabinete superior tiene un marco alrededor, recorte los bordes de la plantilla para que encaje dentro del marco, contra el fondo del gabinete superior. La plantilla tiene líneas de recorte que sirven de guía.
  - Si la pared detrás del horno de microondas (según se haya instalado) tiene un revestimiento de pared parcial (p. ej. protección contra salpicaduras de baldosas), asegúrese de que las flechas que indican "Rear Wall" (Pared posterior) se alineen con la parte más gruesa de la pared posterior (por ejemplo, el espesor de las baldosas y no el del panel de yeso).
4. Asegúrese de mantener la medida de  $11\frac{3}{4}$ " (29,8 cm) de la pared posterior a los puntos "D" y "E" en la plantilla.



5. Recorte un orificio de  $1\frac{1}{2}$ " (3,8 cm) de diámetro en el área sombreada circular "G" en la plantilla. Este orificio será para el cable de suministro de energía.

**NOTA:** si el gabinete superior es de metal, el buje del cable de suministro se debe instalar alrededor del orificio del cable de suministro, como se muestra.



A. Gabinete de metal

B. Buje del cable de suministro de electricidad

6. Taladre orificios de  $\frac{3}{8}$ " (9,5 mm) en los puntos "D" y "E" de la plantilla. Son para dos pernos de  $\frac{1}{4}$ -20 x 3" y las arandelas que se usan para asegurar el horno de microondas al gabinete superior.

### Solamente para la instalación con ventilación en el techo

7. Recorte un orificio de  $\frac{3}{4}$ " (1,9 cm) en una esquina del área sombreada rectangular "F" en la plantilla del gabinete superior.
8. Recorte el área rectangular con una sierra caladora.



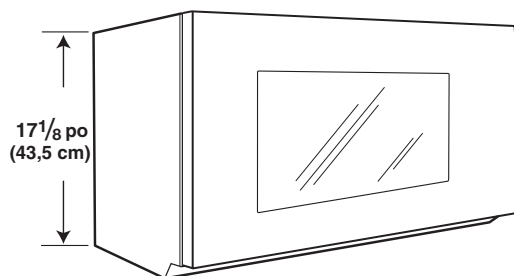
# INSTRUCTIONS D'INSTALLATION DE LA TROUSSE DE MONTAGE DE BOURRELET POUR ENSEMBLE HOTTE/FOUR À MICRO-ONDES

Si la profondeur des armoires est plus de 14 po (35,6 cm) mais pas plus de 15 po (38,1 cm), utiliser l'ensemble de montage de bourrelet pour remplacer la plaque de montage qui accompagner l'appareil.

Ces instructions d'installation ne sont conçues que pour l'ensemble de montage de bourrelet, pour les instructions d'installation complètes de l'ensemble hotte/micro-ondes, consulter les instructions d'installation qui accompagnaient l'ensemble hotte/micro-ondes.

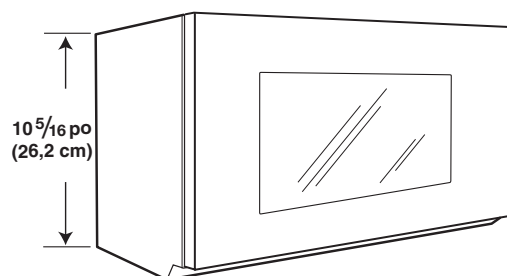
Ces instructions d'installation conviennent aux dimensions de hauteur de deux produits. Avant l'installation, mesurer la hauteur de votre produit et choisir la section I ou section II pour l'installation. Si la hauteur de votre produit est d'environ 17 <sup>1</sup>/<sub>8</sub> po (43,5 cm), passer à la section I. Si la hauteur de votre produit est d'environ 10 <sup>5</sup>/<sub>16</sub> po (26,2 cm), passer à la section II.

## Section I



Consulter la section I de l'installation aux pages suivantes.

## Section II



Consulter la section II de l'installation aux pages suivantes.

## Table des matières

<b>SÉCURITÉ DE L'ENSEMBLE HOTTE/FOUR À MICRO-ONDES.....</b>	<b>26</b>
<b>SECTIONS I ET II.....</b>	<b>27</b>
<b>EXIGENCES D'INSTALLATION .....</b>	<b>27</b>
Outils et pièces.....	27
Exigences d'emplacement.....	27
Identification de la position des montants de cloison.....	28
<b>SECTION I SEULEMENT .....</b>	<b>29</b>
Dimensions du produit.....	29
Tracé sur le mur arrière .....	30
Perçage de trous dans le mur arrière .....	31
Fixation de la plaque de montage au mur.....	31
Préparation de l'armoire supérieure.....	32
<b>SECTION II SEULEMENT .....</b>	<b>33</b>
Dimensions du produit.....	33
Tracé sur le mur arrière .....	33
Perçage de trous dans le mur arrière .....	35
Fixation de la plaque de montage au mur.....	35
Préparation de l'armoire supérieure.....	36

# SÉCURITÉ DE L'ENSEMBLE HOTTE/FOUR À MICRO-ONDES

## Votre sécurité et celle des autres est très importante.

Nous donnons de nombreux messages de sécurité importants dans ce manuel et sur votre appareil ménager. Assurez-vous de toujours lire tous les messages de sécurité et de vous y conformer.



Voici le symbole d'alerte de sécurité.

Ce symbole d'alerte de sécurité vous signale les dangers potentiels de décès et de blessures graves à vous et à d'autres.

Tous les messages de sécurité suivront le symbole d'alerte de sécurité et le mot "DANGER" ou "AVERTISSEMENT". Ces mots signifient :

**⚠ DANGER**

**Risque possible de décès ou de blessure grave si vous ne suivez pas immédiatement les instructions.**

**⚠ AVERTISSEMENT**

**Risque possible de décès ou de blessure grave si vous ne suivez pas les instructions.**

Tous les messages de sécurité vous diront quel est le danger potentiel et vous disent comment réduire le risque de blessure et ce qui peut se produire en cas de non-respect des instructions.

# SECTIONS I ET II

## EXIGENCES D'INSTALLATION

### Outils et pièces

#### Outils nécessaires

Rassembler les outils et pièces nécessaires avant d'entreprendre l'installation. Lire et observer les instructions fournies avec chacun des outils de la liste ci-dessous.

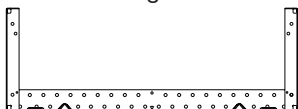
- |                              |  |  |   |
|------------------------------|--|--|---|
| ■ Ruban à mesurer            | ■ Détecteur de montant   | ■ Perceuse   | ■ Scie à trou de 1 ½ po (3,8 cm) pour armoire de bois ou de métal |
| ■ Crayon                     | ■ Clé à douille (ou clé polygonale) de 7/16 po pour tirefonds de 1/4 po x 2 po | ■ Mèches de 3/16 po (4,8 mm), 3/8 po (9,5 mm) et 5/8 po (1,6 cm) | ■ Scie à guichet  |
| ■ Ruban-cache ou punaises    | ■ Tournevis à tête cruciforme no 3 pour les boulons de 1/4 po – 20 x 3 po      | ■ Scie à guichet de 3/4 po (1,9 cm)                              | ■ Pistolet à calfeutrage et calfeutrant étanche                   |
| ■ Ciseaux                    |  |  |   |
| ■ Ruban adhésif pour conduit |  |  |   |
| ■ Pince coupante             |  |  |   |

#### Matériaux nécessaires

- Composants standard pour décharge à travers le mur ou à travers le toit. Voir la section "Spécifications/conception du circuit d'évacuation".

#### Parts Included:

- Support de montage



- Instructions d'installation
- Gabarit de montage (pour SECTION I seulement)
- Gabarit pour armoire supérieure

### Exigences d'emplacement

**IMPORTANT :** Inspecter l'ouverture où le four à micro-ondes sera installé. Il doit comporter les caractéristiques suivantes :

- Dimensions minimales à respecter lors de l'installation. Voir l'illustration "Dimensions à respecter lors de l'installation".
- Au moins un montant de cloison en bois de 2 po x 4 po (50,8 mm x 101,6 mm) et parement de plâtre/support d'enduit ou panneau de gypse d'une épaisseur de 3/8 po (1 cm) ou plus dans l'ouverture de l'armoire.
- Capacité de support de charge de 150 lb (68 kg), ceci inclut le four à micro-ondes et les articles placés à l'intérieur du four à micro-ondes et de l'armoire supérieure.
- Prise de courant électrique reliée à la terre à l'intérieur de l'armoire supérieure. Voir la section "Spécifications électriques".

#### REMARQUES :

- Dans le cas de l'installation du four à micro-ondes à proximité d'une paroi latérale sur le côté gauche, laisser un espace libre de 6 po (15,2 cm) ou plus entre le mur et le four à micro-ondes, pour permettre la manœuvre d'ouverture complète de la porte.
- Les matériaux de certaines armoires et certains matériaux de construction peuvent ne pas résister à la chaleur émise par le four à micro-ondes lors des opérations de cuisson. Consulter le constructeur de la maison ou le fabricant des armoires pour déterminer si les matériaux utilisés pourraient subir un changement de couleur, une déstratification ou d'autres dommages.

### Exigences spéciales

#### Pour une installation avec décharge murale seulement :

- L'ouverture découpée doit être exempte d'obstruction pour l'ajustement adéquat du conduit d'évacuation et pour que le clapet antiretour puisse manœuvrer complètement et librement.

#### Pour une installation avec décharge à l'extérieur à travers le toit seulement :

- Si on utilise un raccord de transition rectangulaire/ronde, on doit disposer d'un espace libre de 3 po (7,6 cm) au-dessus du four à micro-ondes afin que le clapet puisse manœuvrer complètement et librement. Voir l'illustration "Raccord de transition rectangulaire/ronde" dans la section "Spécifications/conception du circuit d'évacuation".

## Identification de la position des montants de cloison

**REMARQUE :** S'il n'y a aucun montant de cloison dans l'ouverture d'encastrement de l'armoire, ne pas installer le four à micro-ondes.

Voir les illustrations dans "Configurations possibles des montants de cloison".

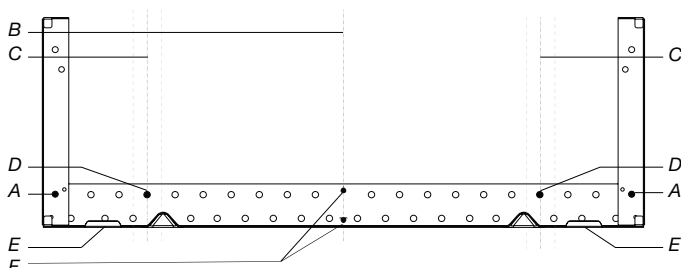
1. Utiliser un détecteur de montant pour localiser dans l'ouverture les bords des montants de cloison.
2. Marquer la position du centre de chaque montant de cloison et tracer l'axe de chaque montant à l'aide d'un fil à plomb. Voir les illustrations dans "Configurations possibles des montants de cloison".

### Configurations possibles des montants de cloison

Les illustrations ci-dessous présentent des exemples des configurations préférentielles d'installation avec la plaque de montage.

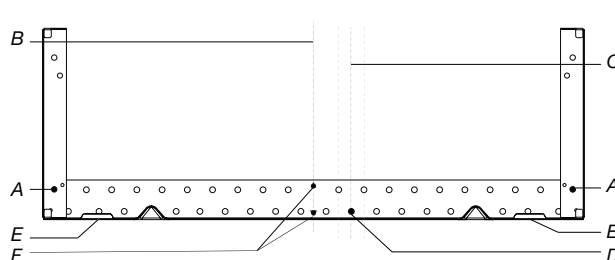
#### Aucun montant de cloison à la position des trous d'extrémité

Figure 1



#### Aucun montant de cloison à la position des trous d'extrémité

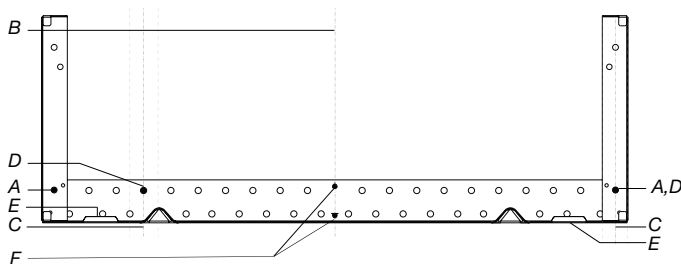
Figure 2



**REMARQUE :** Si les montants de cloison se trouvent à moins de 6 po (15,2 cm) de l'axe central vertical (voir la section "Tracé sur le mur arrière", seule une installation sans décharge à l'extérieur (recyclage) ou une installation avec décharge par le toit peut être réalisée.

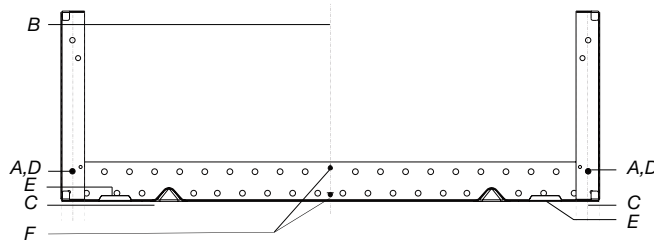
#### Montants de cloison à la position des trous d'extrémité

Figure 3



#### Montants de cloison à la position des trous d'extrémité

Figure 4



- A. Trous d'extrémité (sur la plaque de montage)
- B. Axe vertical central de l'ouverture dans l'armoire
- C. Axes verticaux du montant de cloison
- D. Trous pour tirefonds
- E. Pattes de support
- F. Marquage du centre sur plaque de montage

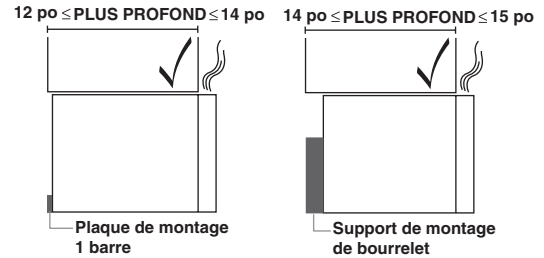
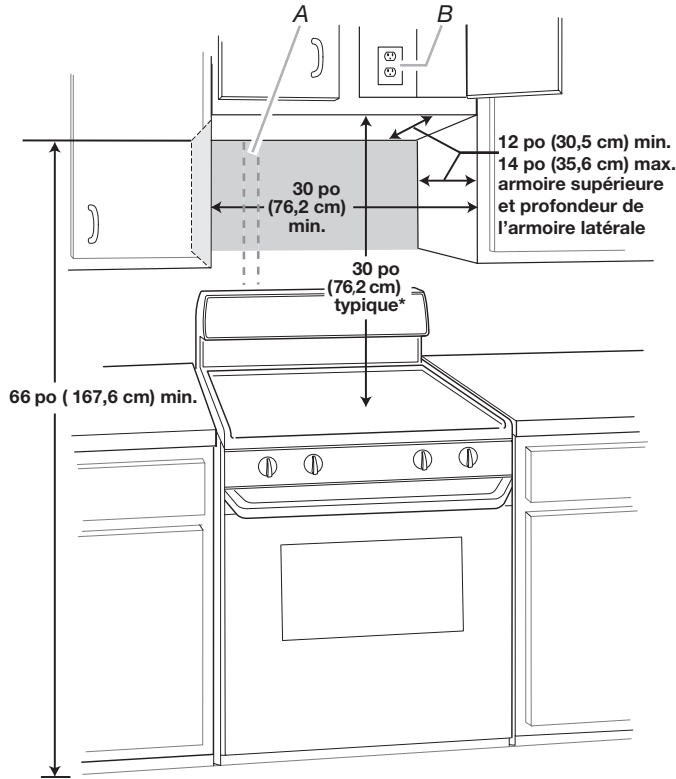
## SECTION I seulement

Cette section est utilisée pour l'installation d'un produit d'une hauteur d'environ 17 1/8 po (43,5 cm).

### Dimensions d'installation

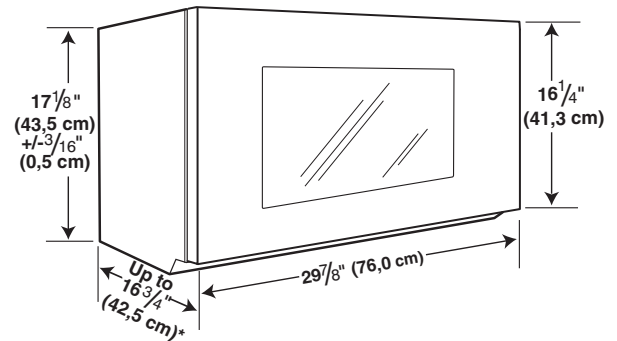
**REMARQUE :** La prise de courant à 3 alvéoles reliée à la terre doit être située à l'intérieur de l'armoire supérieure. Voir la section "Spécifications électriques".

**REMARQUE :** Pour garantir de bons résultats, ne pas obstruer l'ouverture d'évacuation supérieure. Si la profondeur des armoires est de plus de 14 po (35,6 cm), mais pas plus de 15 po (38,1 cm), utiliser l'ensemble de montage de bourrelet pour remplacer la plaque de montage 1 barre sur le mur. L'ensemble de montage de bourrelet (no de pièce W11185746) n'est pas fourni et peut provenir d'une source autre que Whirlpool.



### Dimensions du produit

La profondeur totale du produit varie légèrement selon la conception de la porte.



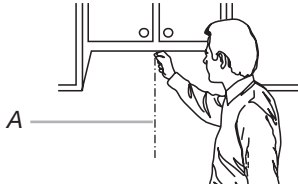
- A. Évacuation rectangulaire murale de 2 po x 4 po (5,1 cm x 10,2 cm)
- B. Prise à 3 alvéoles reliée à la terre

\*30 po (76,2 cm) est typique pour une hauteur d'installation de 66 po (167,6 cm). Les dimensions exactes peuvent varier en fonction du type de cuisinière/table de cuisson ci-dessous.

## Tracé sur le mur arrière

Le four à micro-ondes doit être fixé sur au moins 1 montant de cloison, mais de préférence sur 2 montants; on utilise pour cela au moins 1 vis d'ancrage, mais de préférence 2.

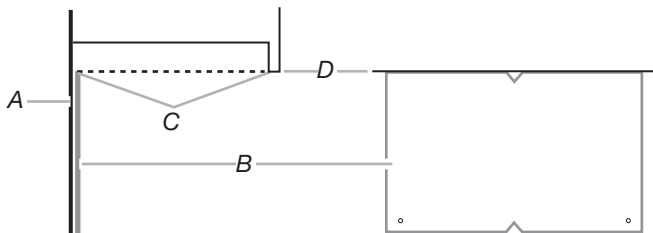
1. Utiliser un ruban à mesurer; déterminer et marquer clairement la position de l'axe central vertical de l'ouverture.



2. Aligner les repères du gabarit mural avec le repère central au mur, en faisant attention qu'il soit bien de niveau et que le haut du gabarit est bien positionné bout à bout avec le bas de l'armoire.

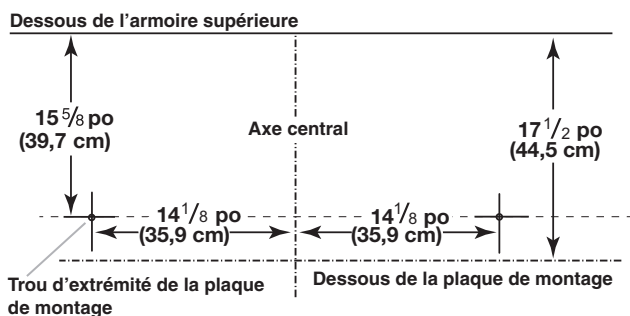
### REMARQUES :

- Si la rive avant de l'armoire supérieure est plus basse que la rive arrière, abaisser le gabarit mural de manière à ce que son sommet soit au même niveau que la rive avant de l'armoire.
- Si le gabarit mural est endommagé ou inutilisable, mesurer et inscrire les dimensions sur le mur, comme décrit à l'étape 4.



- A. Mur arrière  
 B. Gabarit de montage  
 C. Le sommet du gabarit mural doit être aligné avec la rive avant de l'armoire  
 D. Bord avant de l'armoire supérieure

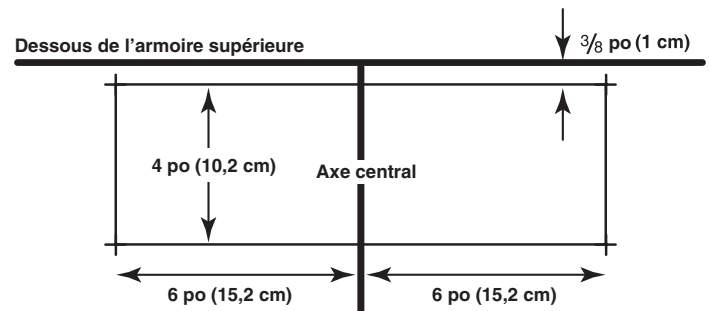
3. Tout en maintenant le gabarit mural en place, marquer l'emplacement des deux trous dans les coins inférieurs et tracer une ligne horizontale en travers de la rive inférieure du gabarit mural. Ils correspondent aux trous d'extrémités de la plaque murale ainsi qu'au bord inférieur.
4. Ôter le gabarit mural et vérifier les points de marquage :



- La ligne du bord inférieur doit être située à 17 1/2 po (44,5 cm) de la partie inférieure de l'armoire supérieure et doit être d'aplomb.
- Les trous d'extrémités doivent être situés à 15 5/8 po (39,7 cm) du bord inférieur de l'armoire supérieure et doivent être alignés les uns avec les autres. Ils doivent être situés à 14 1/8 po (35,9 cm) de l'axe central.

5. Les brides de support orientées vers l'avant, (voir les illustrations de la section « Localisation du/des poteau(x) de colombage »), aligner le marquage du centre de la plaque de montage avec l'axe central sur le mur, en s'assurant que sa rive inférieure est alignée avec l'axe horizontal tracé à l'étape 3, et que les trous d'extrémité sont correctement indiqués. S'assurer que la plaque de montage est d'aplomb.
6. En maintenant la plaque de montage en place, repérer l'axe central/les axes centraux des poteaux du colombage tracés à l'étape 2 de la section "Identifier la position du/des poteaux du colombage mural", et marquer la position d'au moins 1, et de préférence 2, trou(s) à travers la plaque de montage – le plus près possible de l'axe central/des axes centraux de chaque poteau du colombage. Voir les figures 1, 2 et (ou) 3 du paragraphe "Configurations possibles du colombage mural" dans la section "Identifier la position du/des poteaux du colombage mural". Les trous à utiliser de préférence sont ceux qui sont marqués en noir dans les zones grisées.
7. Conserver la plaque de montage à part.

### Installation avec décharge murale uniquement



8. Marquer un point sur l'axe central à 3/8 po (1 cm) au-dessous de la rive inférieure de l'armoire supérieure.
9. Utiliser un ruban à mesurer; marquer un point à 6 po (15,2 cm) de chaque côté de l'axe central.
10. Marquer un point à 4 po (10,2 cm) au-dessous de la marque tracée à l'étape 8.
11. Utiliser une règle; tracer 2 lignes horizontales entre les marques tracées aux étapes 8 et 10.
12. Tracer 2 lignes verticales avec un fil à plomb à partir des marques faites à l'étape 9, pour obtenir un rectangle complet de 12 po x 4 po (30,5 cm x 10,2 cm). Ce rectangle délimite la zone à découper pour le passage du conduit d'évacuation.
13. Découper un trou de 3/4 po (1,9 cm) dans un coin de la zone à découper.
14. À l'aide d'une scie à guichet, découper la zone à découper pour le passage du conduit d'évacuation.

## Perçage de trous dans le mur arrière

En plus d'être fixé sur au moins un montant de cloison, on doit également fixer la plaque de montage sur le mur au niveau des deux trous d'extrémité. Si la position des trous ne coïncide pas avec des montants de la cloison, utiliser deux vis à tête ronde de  $\frac{3}{16}$ -24 x 3 po (7,62 cm) avec écrou articulé; s'il y a un trou d'extrémité qui coïncide avec les montants de la cloison, utiliser une vis d'ancrage et une vis à tête ronde de  $\frac{3}{16}$ -24 x 3 po (7,62 cm) avec écrou articulé; si les deux trous coïncident avec les montants de la cloison, utiliser deux vis d'ancrage. On présente ci-dessous 3 configurations d'installation.

### Installation lorsqu'aucun montant de cloison ne coïncide avec les trous d'extrémité (Figures 1 et 2)

1. Percer des trous de 5/8 po (1,6 cm) à travers le mur à l'emplacement des deux trous d'extrémité marqués à l'étape 3 de la section "Tracé sur le mur arrière".
2. Percer des trous de 3/16 po (5 mm) dans les poteaux de colombage à l'emplacement des trous marqués à l'étape 6 de la section "Tracé sur le mur arrière". Voir les figures 1 et 2 du paragraphe "Configurations possibles des montants de cloison" à la section "Identifier la position des montants de cloison".

### Installation avec un montant de cloison coïncident avec un trou d'extrémité (Figure 3)

1. Percer un trou de 3/16 po (5 mm) à travers le montant à l'emplacement du trou d'angle marqué à l'étape 3 dans "Tracé sur le mur arrière".
2. Si on souhaite fixer l'appareil sur un second montant de cloison, percer un trou de 3/16 po (5 mm) dans le montant à l'emplacement de l'autre trou marqué à l'étape 6 dans "Tracé sur le mur arrière". Voir la figure 3 de la partie "Configurations possibles des montants de cloison" de la section "Identifier la position des montants de la cloison".
3. Percer un trou de 5/8 po (1,6 cm) à travers le mur, face à l'autre trou d'angle.

### Installation lorsque les montants de cloison coïncident avec deux trous d'extrémité (Figure 4)

1. Percer des trous de 3/16 po (5 mm) à travers le montant à l'emplacement des trous d'angle marqués à l'étape 3 dans "Tracé sur le mur arrière".

## Fixation de la plaque de montage au mur

**REMARQUE :** Fixer la plaque de montage sur le mur; utiliser les organes de fixation appropriés dans les deux trous d'extrémité percés dans les montants de cloison ou à travers le panneau de gypse – vis à tête ronde de  $\frac{3}{16}$ -24 x 3 po avec écrou articulé ou tirefond de 1/4 po x 2 po.

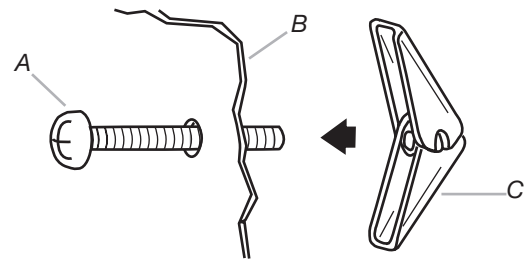
Voir les illustrations de "Configurations possibles des montants de cloison" à la section "Identification de la position des montants de cloison".

### Aucun montant de cloison ne coïncide avec les trous d'extrémité (Figures 1 et 2)

**REMARQUE :** La plaque de montage doit être fixée sur le mur à au moins un montant de cloison, ainsi qu'aux deux extrémités.

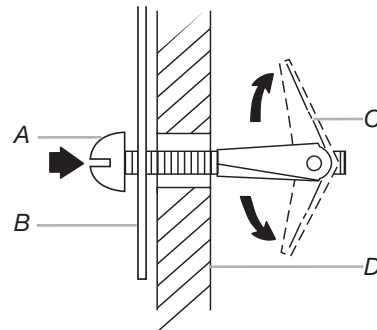
1. Alors que les pattes de support de la plaque de montage sont orientées vers l'avant, insérer des vis à tête ronde de  $\frac{3}{16}$ -24 x 3 po dans les deux trous d'extrémité de la plaque de montage.

2. Engager un écrou articulé sur chaque vis par l'arrière de la plaque de montage. Veiller à disposer de suffisamment d'espace pour que les écrous articulés puissent traverser le panneau de gypse et se déployer à l'intérieur de la cavité murale.



A. Vis à tête ronde de  $\frac{3}{16}$ -24 x 3 po  
B. Plaque de montage  
C. Écrou articulé à ressort

3. Positionner la plaque de montage sur le mur.
4. Pousser les deux vis avec écrou articulé à travers le panneau de gypse; visser les vis à la main pour vérifier que chaque écrou articulé s'est déployé et prend appui contre le panneau de gypse.



A. Vis à tête ronde de  $\frac{3}{16}$ -24 x 3 po  
B. Plaque de montage  
C. Écrou articulé à ressort  
D. Panneau de gypse

5. Insérer les tirefonds dans les trous percés dans les montants de cloison à l'étape 2 du paragraphe "Installation lorsqu'aucun montant de cloison ne coïncide avec les trous d'extrémité" de la section "Perçage des trous dans le mur arrière".
6. Contrôler l'alignement de la plaque de montage; veiller à établir un bon aplomb.
7. Serrer solidement tous les écrous et tirefonds.

### Montant de cloison coïncident avec un trou d'extrémité (Figure 3)

1. Alors que les pattes de support de la plaque de montage sont orientées vers l'avant, insérer une vis à tête ronde de  $\frac{3}{16}$ -24 x 3 po dans le trou d'angle coïncidant avec le trou de 5/8 po (1,6 cm) percé à l'étape 3 du paragraphe "Installation avec un montant de cloison coïncident avec un trou d'extrémité" de la section "Perçage des trous dans le mur arrière".
2. Engager un écrou articulé sur la vis par l'arrière de la plaque de montage. Veiller à disposer de suffisamment d'espace pour que l'écrou articulé puisse traverser le panneau de gypse et se déployer à l'intérieur de la cavité murale.
3. Positionner la plaque de montage sur le mur.
4. Pousser la vis avec écrou articulé à travers le panneau de gypse; visser la vis à la main pour vérifier que chaque écrou articulé s'est déployé et prend appui contre le panneau de gypse.
5. Insérer un tirefond dans le trou d'extrémité restant.

6. S'il est possible de fixer également l'appareil sur un second montant de cloison, insérer une vis d'ancrage dans l'autre trou percé à l'étape 2 du paragraphe "Installation avec un montant de cloison coïncident avec un trou d'extrémité" de la section "Perçage des trous dans le mur arrière".
7. Contrôler l'alignement de la plaque de montage; veiller à établir un bon aplomb.
8. Serrer solidement toutes les pièces d'ancrage.

### Montant de cloison coïncident avec deux trous d'extrémité (Figure 4)

1. Positionner la plaque de montage sur le mur.
2. Insérer les vis d'ancrage dans les deux trous d'extrémité.
3. Contrôler l'alignement de la plaque de montage; veiller à établir un bon aplomb.
4. Serrer solidement les vis d'ancrage.

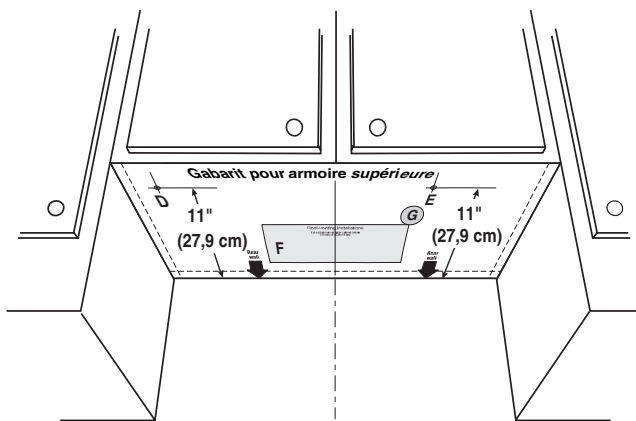
## Préparation de l'armoire supérieure

1. Interrompre l'alimentation électrique.
2. Retirer tout le contenu de l'armoire supérieure.
3. Placer le gabarit pour armoire supérieure contre le bas de l'armoire supérieure, puis la fixer à l'aide de ruban ou de punaises. Veiller à aligner l'axe central du gabarit avec l'axe vertical central tracé sur le mur arrière.

Les flèches "rear wall/mur arrière" doivent être contre le mur arrière, pour qu'on puisse obtenir l'alignement des trous découpés dans l'armoire supérieure avec les trous situés au sommet du four à micro-ondes.

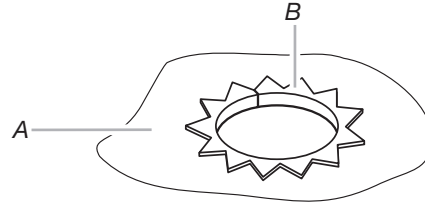
#### REMARQUES :

- Si l'armoire supérieure est munie d'un cadre, couper le contour du gabarit pour qu'il puisse être placé à l'intérieur du cadre, contre la base de l'armoire supérieure. Le gabarit est muni de lignes de coupe à utiliser comme guide.
  - Si le mur derrière le four à micro-ondes (comme installé) comporte un revêtement mural partiel (par exemple, dossier de carreaux), assurez-vous que les flèches "rear wall/mur arrière" s'alignent sur la partie la plus épaisse du mur arrière (par exemple l'épaisseur des carreaux plutôt que le panneau de gypse).
4. Veiller à établir la dimension de 11 po (27,9 cm) entre le mur arrière et les points "D" et "E" sur le gabarit.



5. Percer le trou de diamètre 1 1/2 po (3,8 cm) dans la zone circulaire grisée "G" du gabarit. Il s'agit du trou utilisé pour le passage du cordon d'alimentation.

**REMARQUE :** Si l'armoire supérieure est en métal, la garniture du cordon d'alimentation nécessite d'être installée autour du trou de passage du cordon d'alimentation – voir l'illustration.



A. Armoire métallique  
B. Garniture du trou de passage du cordon d'alimentation

6. Percer des trous de 3/8 po (1 cm) aux points "D" et "E" du gabarit. Ces trous sont utilisés pour le passage de deux vis de -20 x 3 po avec rondelles qui sont utilisées pour la fixation du four à micro-ondes contre l'armoire supérieure.

#### Pour une installation avec décharge à l'extérieur à travers le toit seulement :

7. Percer un trou de 3/4 po (1,9 cm) dans un coin de la zone ombrée rectangulaire "F" du gabarit pour armoire supérieure.
8. À l'aide d'une scie à guichet, découper la zone rectangulaire.

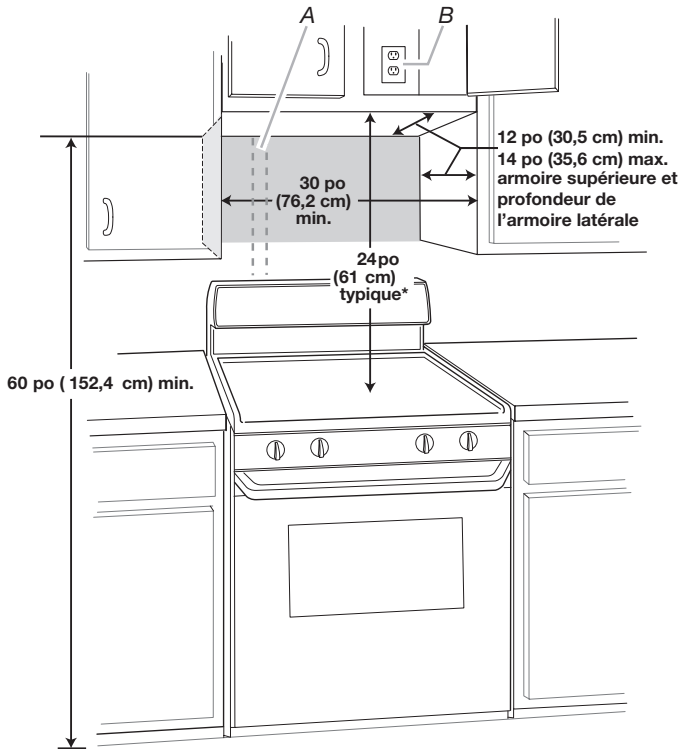


## SECTION II seulement

Cette section est utilisée pour l'installation d'un produit d'une hauteur d'environ 10 <sup>5</sup>/<sub>16</sub> po (26,2 cm).

### Dimensions d'installation

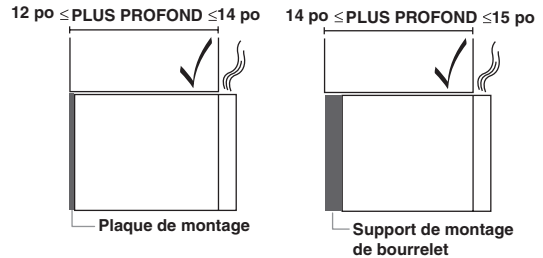
**REMARQUE :** La prise de courant à 3 alvéoles reliée à la terre doit être située à l'intérieur de l'armoire supérieure. Voir la section "Spécifications électriques".



A. Montant de cloison de 2 po x 4 po  
B. Prise à 3 alvéoles reliée à la terre

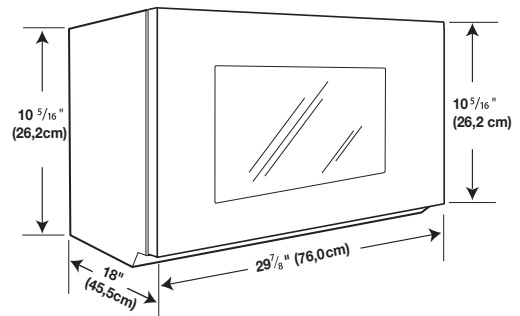
\*24 po (61 cm) est typique pour une hauteur d'installation de 60 po (152,4 cm). Les dimensions exactes peuvent varier en fonction du type de cuisinière/table de cuisson ci-dessous.

**REMARQUE :** Pour garantir de bons résultats, ne pas obstruer l'ouverture d'évacuation supérieure. Si la profondeur des armoires est de plus de 14 po (35,6 cm), mais pas plus de 15 po (38,1 cm), utiliser l'ensemble de montage de bourrelet pour remplacer la plaque de montage sur le mur. L'ensemble de montage de bourrelet (no de pièce W11185746) n'est pas fourni et peut provenir d'une source autre que Whirlpool.



### Dimensions du produit

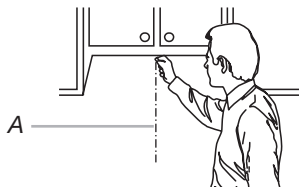
La profondeur totale du produit varie légèrement selon la conception de la porte.



### Tracé sur le mur arrière

Le four à micro-ondes doit être fixé sur au moins 1 montant de cloison, mais de préférence sur 2 montants; on utilise pour cela au moins 1 vis d'ancrage, mais de préférence 2.

1. Utiliser un ruban à mesurer; déterminer et marquer clairement la position de l'axe central vertical de l'ouverture.



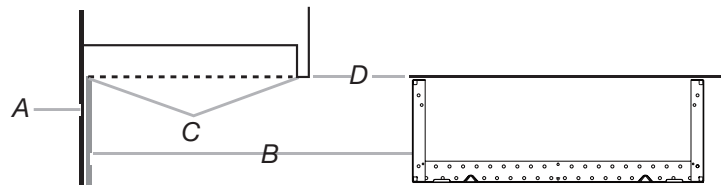
A. Axe central

2. Aligner les repères du gabarit de montage avec le gabarit central au mur, en faisant attention qu'il soit bien de niveau et que le haut du gabarit de montage est bien positionné bout à bout avec le bas de l'armoire.

### REMARQUES :

- Si le bord avant de l'armoire supérieure est plus bas que le bord arrière, abaisser le gabarit de montage de manière à ce que le sommet du gabarit de montage soit au même niveau que le bord avant de l'armoire.

- Si le gabarit de montage est endommagé ou inutilisable, mesurer et inscrire les dimensions sur le mur, comme décrit à l'étape 4.

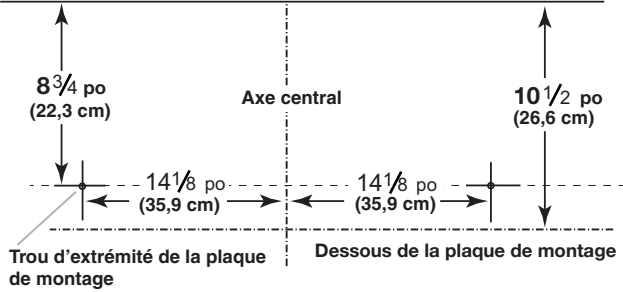


A. Mur arrière  
B. Gabarit de montage  
C. Le sommet de la plaque de montage doit être aligné avec le bord avant de l'armoire  
D. Bord avant de l'armoire supérieure

3. Tout en maintenant le gabarit de montage en place, marquer l'emplacement des deux trous dans les coins inférieurs et tracer une ligne horizontale en travers de la rive inférieure du gabarit de montage. Ceci représente les trous de l'extrémité de la plaque de montage ainsi que la rive inférieure.

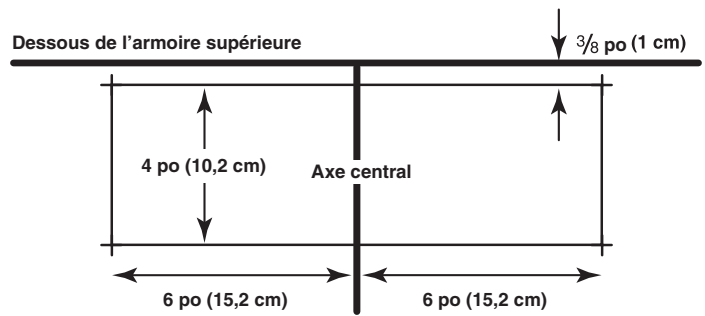
4. Ôter le gabarit de montage et vérifier les points de marquage :

**Dessous de l'armoire supérieure**



- La ligne du bord inférieur doit être située à 10 1/2 po (26,6 cm) de la partie inférieure de l'armoire supérieure et doit être d'aplomb.
  - Les trous d'extrémités doivent être situés à 8 3/4 po (22,3 cm) du bord inférieur de l'armoire supérieure et doivent être alignés les uns avec les autres. Ils doivent être situés à 14 3/16 po (36 cm) de l'axe central.
5. Les brides de support orientées vers l'avant, (voir les illustrations de la section « Localisation du/des poteau(x) de colombage »), aligner le marquage du centre de la plaque de montage avec l'axe central sur le mur, en s'assurant que sa rive inférieure est alignée avec l'axe horizontal tracé à l'étape 3, et que les trous d'extrémité sont correctement indiqués. S'assurer que la plaque de montage est d'aplomb.
6. En maintenant la plaque de montage en place, repérer l'axe central/les axes centraux des poteaux du colombage tracés à l'étape 2 de la section « Identifier la position du/des poteaux du colombage mural », et marquer la position d'au moins 1, et de préférence 2, trou(s) à travers la plaque de montage – le plus près possible de l'axe central/des axes centraux de chaque poteau du colombage. Voir les figures 1, 2 et (ou) 3 du paragraphe « Configurations possibles du colombage mural » dans la section « Identifier la position du/des poteaux du colombage mural ». Les trous à utiliser de préférence sont ceux qui sont marqués en noir dans les zones grisées.
7. Conserver la plaque de montage à part.

**Installation avec décharge murale uniquement**



8. Marquer un point sur l'axe central à 3/8 po (1 cm) au-dessous de la rive inférieure de l'armoire supérieure.
9. Utiliser un ruban à mesurer; marquer un point à 6 po (15,2 cm) de chaque côté de l'axe central.
10. Marquer un point à 4 po (10,2 cm) au-dessous de la marque tracée à l'étape 8.
11. Utiliser une règle; tracer 2 lignes horizontales entre les marques tracées aux étapes 8 et 10.
12. Tracer 2 lignes verticales avec un fil à plomb à partir des marques faites à l'étape 9, pour obtenir un rectangle complet de 12 po x 4 po (30,5 cm x 10,2 cm). Ce rectangle délimite la zone à découper pour le passage du conduit d'évacuation.
13. Découper un trou de 3/4 po (1,9 cm) dans un coin de la zone à découper.
14. À l'aide d'une scie à guichet, découper la zone à découper pour le passage du conduit d'évacuation.

## Perçage de trous dans le mur arrière

En plus d'être fixé sur au moins un montant de cloison, on doit également fixer la plaque de montage sur le mur au niveau des deux trous d'extrémité. Si la position des trous ne coïncide pas avec des montants de la cloison, utiliser deux vis à tête ronde de 3/16-24 x 3 po avec écrou articulé; s'il y a un trou d'extrémité qui coïncide avec les montants de la cloison, utiliser une vis d'ancrage et une vis à tête ronde de 3/16-24 x 3 po avec écrou articulé; si les deux trous coïncident avec les montants de la cloison, utiliser deux vis d'ancrage. On présente ci-dessous 3 configurations d'installation.

### Installation lorsqu'aucun montant de cloison ne coïncide avec les trous d'extrémité (Figures 1 et 2)

1. Percer des trous de 5/8 po (1,6 cm) à travers le mur à l'emplacement des deux trous d'extrémité marqués à l'étape 3 de la section "Tracé sur le mur arrière".
2. Percer des trous de 3/16 po (4,8 mm) dans les montants de cloison à l'emplacement des trous marqués à l'étape 6 de la section "Tracé sur le mur arrière". Voir les figures 1 et 2 du paragraphe "Configurations possibles des montants de cloison" à la section "Identifier la position des montants de cloison".

### Installation avec un montant de cloison coïncident avec un trou d'extrémité (Figure 3)

1. Percer un trou de 3/16 po (4,8 mm) à travers le montant à l'emplacement du trou d'angle marqué à l'étape 3 dans "Tracé sur le mur arrière".
2. Si on souhaite fixer l'appareil sur un second montant de cloison, percer un trou de 3/16 po (4,8 mm) dans le montant à l'emplacement de l'autre trou marqué à l'étape 6 dans "Tracé sur le mur arrière". Voir la figure 3 de la partie "Configurations possibles des montants de cloison" de la section "Identifier la position des montants de la cloison".
3. Percer un trou de 5/8 po (1,6 cm) à travers le mur, face à l'autre trou d'angle.

### Installation lorsque les montants de cloison coïncident avec deux trous d'extrémité (Figure 4)

1. Percer des trous de 3/16 po (4,8 mm) à travers le montant à l'emplacement des trous d'angle marqués à l'étape 3 dans "Tracé sur le mur arrière".

## Fixation de la plaque de montage au mur

**REMARQUE :** Fixer la plaque de montage sur le mur; utiliser les organes de fixation appropriés dans les deux trous d'extrémité percés dans les montants de cloison ou à travers le panneau de gypse – vis à tête ronde de 3/16-24 x 3 po avec écrou articulé ou tirefond de 1/4 po x 2 po.

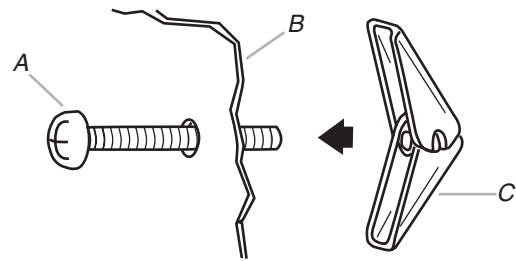
Voir les illustrations de "Configurations possibles des montants de cloison" à la section "Identification de la position des montants de cloison".

### Aucun montant de cloison ne coïncide avec les trous d'extrémité (Figures 1 et 2)

**REMARQUE :** La plaque de montage doit être fixée sur le mur à au moins un montant de cloison, ainsi qu'aux deux extrémités.

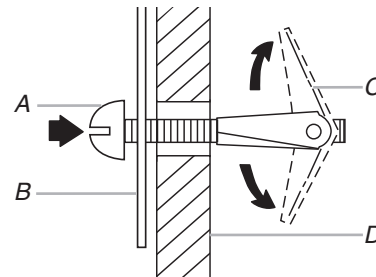
1. Alors que les pattes de support de la plaque de montage sont orientées vers l'avant, insérer des vis à tête ronde de 3/16-24 x 3 po dans les deux trous d'extrémité de la plaque de montage.

2. Engager un écrou articulé sur chaque vis par l'arrière de la plaque de montage. Veiller à disposer de suffisamment d'espace pour que les écrous articulés puissent traverser le panneau de gypse et se déployer à l'intérieur de la cavité murale.



A. Vis à tête ronde de 3/16-24 x 3 po  
B. Plaque de montage  
C. Écrou articulé à ressort

3. Positionner la plaque de montage sur le mur.
4. Pousser les deux vis avec écrou articulé à travers le panneau de gypse; visser les vis à la main pour vérifier que chaque écrou articulé s'est déployé et prend appui contre le panneau de gypse.



A. Vis à tête ronde de 3/16-24 x 3 po  
B. Plaque de montage  
C. Écrou articulé à ressort  
D. Panneau de gypse

5. Insérer les tirefonds dans les trous percés dans les montants de cloison à l'étape 2 du paragraphe "Installation lorsqu'aucun montant de cloison ne coïncide avec les trous d'extrémité" de la section "Perçage des trous dans le mur arrière".
6. Contrôler l'alignement de la plaque de montage; veiller à établir un bon aplomb.
7. Serrer solidement tous les écrous et tirefonds.

### Montant de cloison coïncident avec un trou d'extrémité (Figure 3)

1. Alors que les pattes de support de la plaque de montage sont orientées vers l'avant, insérer une vis à tête ronde de 3/16-24 x 3 po dans le trou d'angle coïncident avec le trou de 5/8 po (1,6 cm) percé à l'étape 3 du paragraphe "Installation avec un montant de cloison coïncident avec un trou d'extrémité" de la section "Perçage des trous dans le mur arrière".
2. Engager un écrou articulé sur la vis par l'arrière de la plaque de montage. Veiller à disposer de suffisamment d'espace pour que l'écrou articulé puisse traverser le panneau de gypse et se déployer à l'intérieur de la cavité murale.
3. Positionner la plaque de montage sur le mur.
4. Pousser la vis avec écrou articulé à travers le panneau de gypse; visser la vis à la main pour vérifier que chaque écrou articulé s'est déployé et prend appui contre le panneau de gypse.
5. Insérer un tirefond dans le trou d'extrémité restant.

- S'il est possible de fixer également l'appareil sur un second montant de cloison, insérer une vis d'ancrage dans l'autre trou percé à l'étape 2 du paragraphe "Installation avec un montant de cloison coïncident avec un trou d'extrémité" de la section "Perçage des trous dans le mur arrière".
- Contrôler l'alignement de la plaque de montage; veiller à établir un bon aplomb.
- Serrer solidement toutes les pièces d'ancrage.

#### Montant de cloison coïncident avec deux trous d'extrémité (Figure 4)

- Positionner la plaque de montage sur le mur.
- Insérer les vis d'ancrage dans les deux trous d'extrémité.
- Contrôler l'alignement de la plaque de montage; veiller à établir un bon aplomb.
- Serrer solidement les vis d'ancrage.

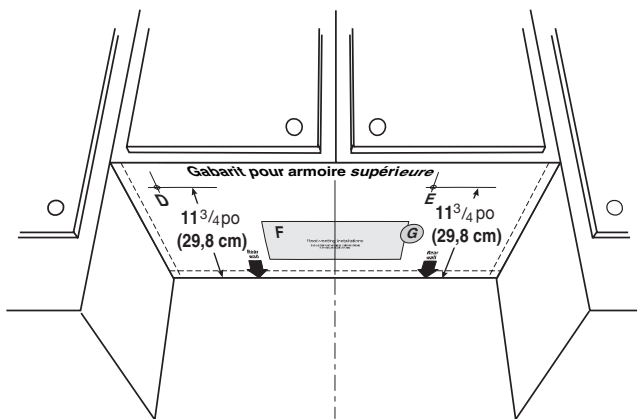
### Préparation de l'armoire supérieure

- Interrompre l'alimentation électrique.
- Retirer tout le contenu de l'armoire supérieure.
- Placer le gabarit pour armoire supérieure contre le bas de l'armoire supérieure, puis la fixer à l'aide de ruban ou de punaises. Veiller à aligner l'axe central du gabarit avec l'axe vertical central tracé sur le mur arrière.

Les flèches "rear wall/mur arrière" doivent être contre le mur arrière, pour qu'on puisse obtenir l'alignement des trous découpés dans l'armoire supérieure avec les trous situés au sommet du four à micro-ondes.

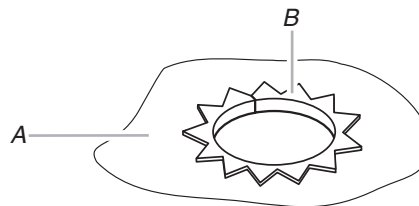
#### REMARQUES :

- Si l'armoire supérieure est munie d'un cadre, couper le contour du gabarit pour qu'il puisse être placé à l'intérieur du cadre, contre la base de l'armoire supérieure. Le gabarit est muni de lignes de coupe à utiliser comme guide.
  - Si le mur derrière le four à micro-ondes (comme installé) comporte un revêtement mural partiel (par exemple, dossier de carreaux), assurez-vous que les flèches "rear wall/mur arrière" s'alignent sur la partie la plus épaisse du mur arrière (par exemple l'épaisseur des carreaux plutôt que le panneau de gypse).
- Veiller à établir la dimension de 11 3/4 po (29,8 cm) entre le mur arrière et les points "D" et "E" sur le gabarit.



- Percer le trou de diamètre 1 1/2 po (3,8 cm) dans la zone circulaire grisée "G" du gabarit. Il s'agit du trou utilisé pour le passage du cordon d'alimentation.

**REMARQUE :** Si l'armoire supérieure est en métal, la garniture du cordon d'alimentation nécessite d'être installée autour du trou de passage du cordon d'alimentation – voir l'illustration.



A. Armoire métallique

B. Garniture du trou de passage du cordon d'alimentation

- Percer des trous de 3/8 po (9,5 mm) aux points "D" et "E" du gabarit. Ces trous sont utilisés pour le passage de deux vis de 1/4-20 x 3 po avec rondelles qui sont utilisées pour la fixation du four à micro-ondes contre l'armoire supérieure.

#### Pour une installation avec décharge à l'extérieur à travers le toit seulement

- Percer un trou de 3/4 po (1,9 cm) dans un coin de la zone ombrée rectangulaire "F" du gabarit pour armoire supérieure.
- À l'aide d'une scie à guichet, découper la zone rectangulaire.