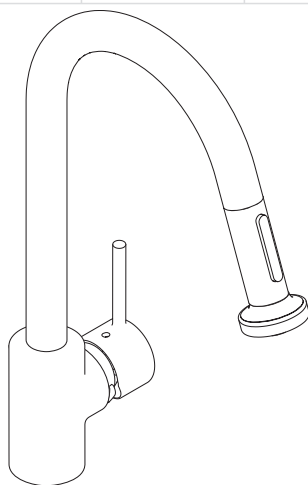


Installation Instructions / Warranty



Interaktiv

HighArc Kitchen Faucet with Pull-out
HighArc Kitchen Faucet with Pull-out Spray

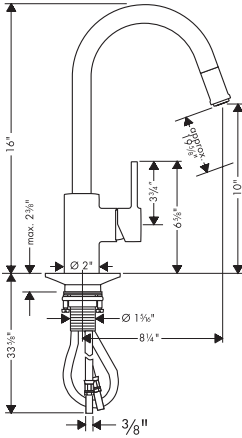
Retroaktiv

HighArc Kitchen Faucet with Pull-out Spray

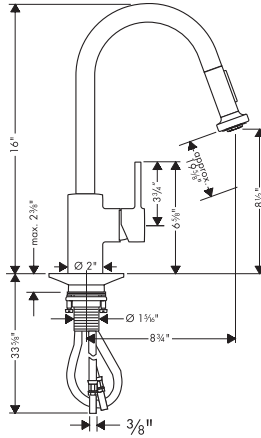
**3/8" supply hoses
requires 3/8" compression fittings**

hansgrohe

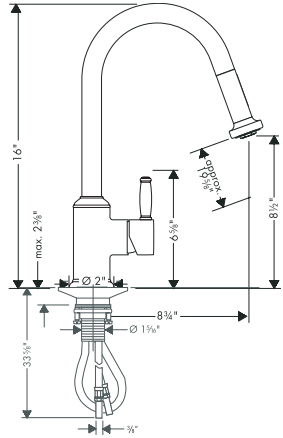
HighArc Kitchen Faucet



Faucet with Pull-Out



Faucet with Pull-Out Spray



Retroaktiv with Pull-Out Spray

	Faucet with Pull-Out	Faucet with Pull-Out Spray
Solaris	06675XX0	06672XX0
Stratos	06695XX0	06694XX0
Metro	06698XX0	06697XX0, 06697XX5
Interaktiv S	06802XX0	06801XX0
Proaktiv**	06979XX0	06978XX0
Retroaktiv		06128XX0

**handle not included - purchase separately

Technical Specification

Recommended water pressure	14.7 - 72.5 PSI
Recommended hot water temp.	120° - 140° F*
Hole size in mounting surface	1-1/2"
Max. mounting surface depth	2 3/8"
Flow Rate	2.2 GPM
3/8" supply hoses - require 3/8" compression fitting (not included)	

*Please know and follow all applicable local plumbing codes when setting the temperature on the water heater. In Massachusetts, the water heater may be set no higher than 112°F.

Installation Considerations

For best results, Hansgrohe recommends that this unit be installed by a licensed, professional plumber.

Please read over these instructions thoroughly before beginning installation. Make sure that you have all tools and supplies needed to complete the installation.

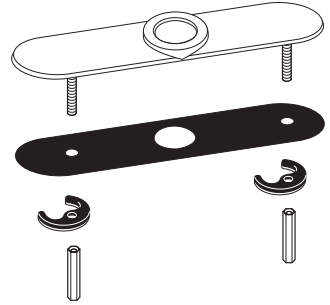
The hot and cold supply hoses require 3/8" compression fittings, which are not included.

Install the Baseplate (optional)

Position the optional 06329XXX baseplate and gasket on the faucet deck. Install the mounting pieces and collars.

If the sink does not have three holes, remove the mounting studs from the baseplate.

Install the faucet.



Install the Faucet

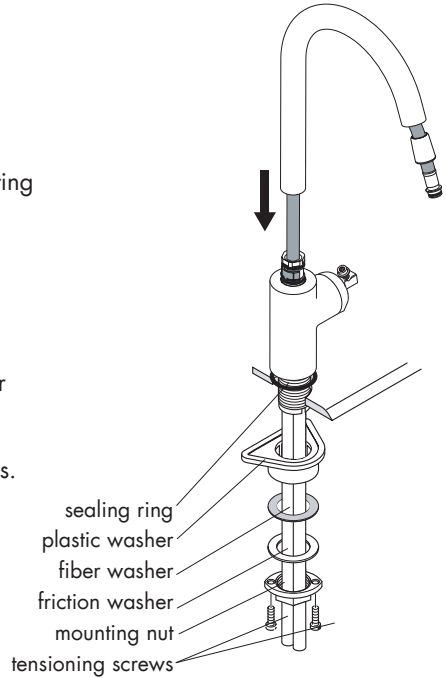
Snap the gooseneck spout into place on the faucet body.

Place the sealing ring and faucet on the mounting surface.

From below, install the plastic washer, fiber washer, friction washer and mounting nut.

The plastic washer may be omitted if there is insufficient space, or if the countertop is thicker than 1 3/8".

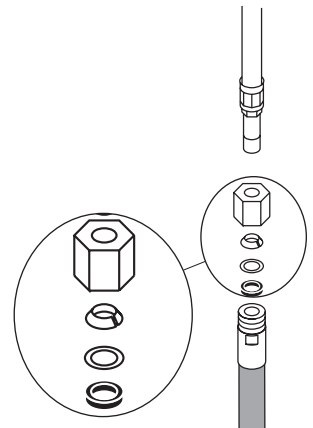
Tighten the mounting nut and tensioning screws.



Connect the Handspray Hose

Connect the handspray hose to the handspray supply hose with the nut, cone washer, flat brass washer and rubber washer as shown.

Do not allow either hose to twist or the flow of water to the handspray may be restricted.



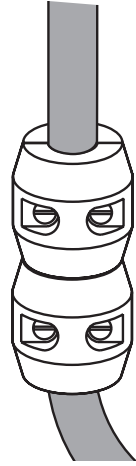
Install the Hose Weight

Proper installation of the hose weights will insure that the handspray retracts smoothly.

On the handspray side of the hose, measure 15" down from the body of the faucet. Install the hose weights at this point.

Pull out on the handspray. It should move easily and retract smoothly. Reposition the hose weight as necessary.

Make sure that the hot and cold supply hoses do not interfere with the handspray hose. They can be repositioned slightly if necessary.



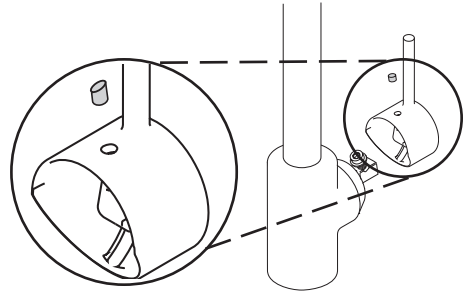
Install the Handle

Install the Boltic™ handle screw on the stem. Tighten only 4 turns.

Place the handle over the stem and handle screw. Press the handle firmly into place.

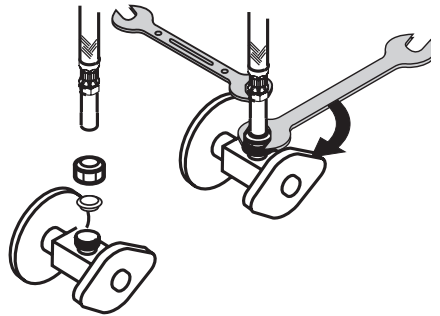
Use the 4mm hex wrench to finish tightening the screw.

Install the screw cover.



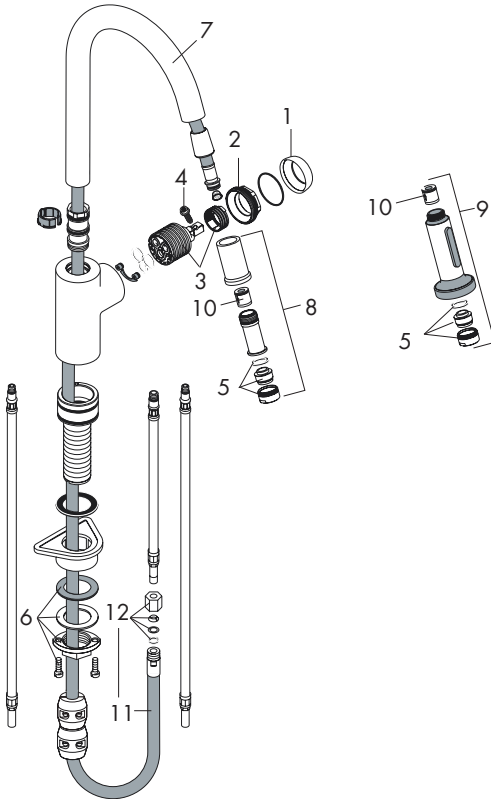
Connect the Hot and Cold Supplies

Connect the hot and cold supply hoses to the supplies with standard 3/8" compression fittings (not included). Do not allow the hoses to twist. Use two wrenches, as shown in the diagram. Tighten wrench tight.



Turn on the water. Check all connections for leaks.

Service Parts



1	nut cover	96468XX0
2	nut	96461000
3	cartridge	92730000
4	screw	96059000
5	aerator	
6	mounting kit	95049000
7	spout	96918XX0
8	pull out	96919XX0
9	pull out spray	96920XX0
10	check valve	94074000
11	hose	88624000
12	squeezing connection	96099000

XX = color

00 = chrome

86 = steel optik

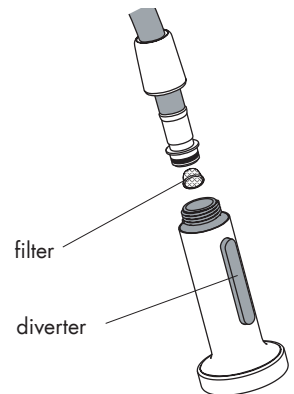
User Instructions

The spout swivels a full 360°. **Do not swivel the spout further than 360°, or damage to the hose will result.**

Push the handle to the right to turn the water on. Push it back to the left to turn the water off. Swivel the handle forward for cooler water, backward for warmer water.

To activate the spray mode on the pull-out spray version of the faucet, press and hold the diverter. When the diverter bar is released, the faucet will return to the stream mode.

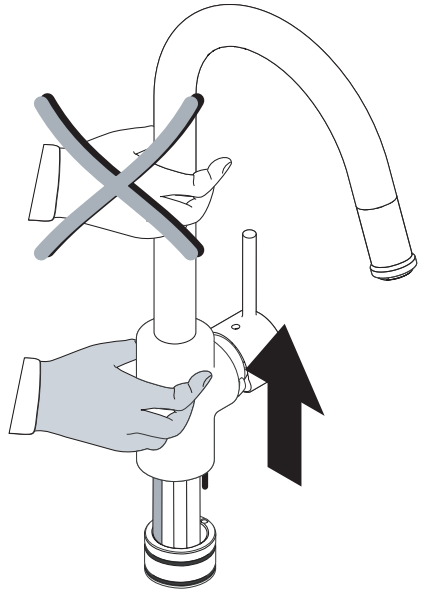
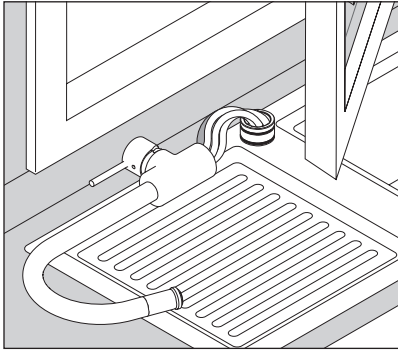
If the flow of water decreases, remove and clean the filter.



Faucet “Lay Down” Function

To provide clearance for opening a window, or for ease of cleaning, the faucet can be laid down on the counter without uninstalling it. Pull up on the faucet body, then gently lay the faucet down on the countertop. Do not pull the faucet by the neck!

When replacing the faucet, make sure that the pin on the bottom of the faucet goes into the hole on the base. Push the faucet down firmly against the base.



Cleaning Recommendation for Hansgrohe Products

Modern faucetry and shower products utilize a combination of materials to comply with the needs of the market with regard to design and functionality.

To avoid damage, it is necessary to use some caution when cleaning. Damage caused by improper treatment is not covered under the Hansgrohe warranty.

Cleaning Materials for Faucets and Showers

- To remove lime scale, use only products made specifically for that purpose. Always follow the manufacturer's instructions when using.
- Do not use cleaners that contain hydrochloric, formic, acetic, or phosphoric acids, as these will cause considerable damage to finishes and to plastic components.
- Never mix cleaning materials.
- Never use cleaners containing abrasives. Do not use abrasive cleaning cloths, pads, or sponges.

Cleaning Procedures

- Clean your faucets and shower products as and when required. Regular cleaning will prevent scale buildup and water spotting.
- Follow the label instructions. Do not allow any cleaner to remain on the product for longer than necessary.
- When using spray cleaners, spray first onto a sponge or cloth – do not spray directly onto the product.
- After cleaning, rinse thoroughly with clear water to remove any cleaner residue.

Important

- Soap and shampoo residue can also cause damage to the product. Rinse well with clean water after use.
- If the surface is already damaged, harsh cleaning materials will cause further damage.

Limited Lifetime Consumer Warranty

This product has been manufactured and tested to the highest quality standards by Hansgrohe, Inc. ("Hansgrohe"). This warranty is limited to Hansgrohe products which are purchased by a consumer in the United States after March 1, 1996 and installed in either the United States or Canada.

WHO IS COVERED BY THE WARRANTY

This warranty extends to the original consumer purchaser only.

WHAT IS COVERED BY THE WARRANTY

This warranty covers only your Hansgrohe manufactured product. Hansgrohe warrants this product against defects in material or workmanship as follows: Hansgrohe will repair at no charge for parts only or, at its option, replace any product or part of the product which proves defective because of improper workmanship and/or material, under normal installation, use, service and maintenance. If Hansgrohe is unable to provide a replacement and repair is not practical or cannot be timely made, Hansgrohe may elect to refund the purchase price in exchange for the return of the product.

LENGTH OF WARRANTY

Replacement or repaired parts of products will be covered for the term of this warranty as stated in the following two sentences. If you are a consumer who purchased the product for use primarily for personal, family, or household purposes, this warranty extends for as long as you own the product and the home in which the product is installed. If you purchased the product for use primarily for any other purpose, including, without limitation, a commercial purpose, this warranty extends only (i) for 1 year, with respect to Interaktiv and Retroaktiv products and (ii) for 5 years, with respect to AXOR, ShowerPower and Pharo products.

THIS WARRANTY DOES NOT COVER and HANSGROHE WILL NOT PAY FOR:

- A. Conditions, malfunctions or damage not resulting from defects in material or workmanship.
- B. Conditions, malfunctions or damage resulting from (1) improper installation, improper maintenance, misuse, abuse, negligence, accident or alteration, or (2) the use of abrasive or caustic cleaning agents or "no rinse" cleaning products, or the use of the product in any manner contrary to the product instructions.
- C. Labor or other expenses for the disconnection or return of the product for warranty service, or for installation or reinstallation of the product.
- D. Accessories or related products not manufactured by Hansgrohe.

TO OBTAIN WARRANTY SERVICE

Contact your Hansgrohe retailer, or write to Technical Service at:

Hansgrohe Inc.
1492 Bluegrass Lakes Parkway
Alpharetta GA 30004

Or, call Hansgrohe toll-free at (800) 334-0455.

In requesting warranty service, you will need to provide

- 1. The sales receipt or other evidence of the date and place of purchase.
- 2. A description of the problem.
- 3. Delivery of the product or the defective part, postage prepaid and carefully packed and insured, to Hansgrohe Inc. 1492 Bluegrass Lakes Parkway, Alpharetta, Georgia 30004, Attention: Technical Service, if required by Hansgrohe.

When warranty service is completed, any repaired or replacement product or part will be returned to you postage prepaid.

EXCLUSIONS AND LIMITATIONS

REPAIR OR REPLACEMENT (OR, IN LIMITED CIRCUMSTANCES, REFUND OF THE PURCHASE PRICE) AS PROVIDED UNDER THIS WARRANTY IS THE EXCLUSIVE REMEDY OF THE PURCHASER. HANSGROHE NEITHER ASSUMES NOR AUTHORIZES ANY PERSON TO CREATE FOR IT ANY OBLIGATION OR LIABILITY IN CONNECTION WITH THIS PRODUCT.

HANSGROHE SHALL NOT BE LIABLE TO PURCHASER OR ANY PERSON FOR ANY INCIDENTAL, SPECIAL, OR CONSEQUENTIAL DAMAGES, ARISING OUT OF BREACH OF THIS WARRANTY OR ANY IMPLIED WARRANTY (INCLUDING MERCHANTABILITY).

Some States do not allow the exclusion or limitation of incidental or consequential damages, so the above limitation or exclusion may not apply to you.

This warranty gives you specific legal rights and you may have other rights which vary from State to State.

You may be required by law to give us a reasonable opportunity to correct or cure any failure to comply before you can bring any action

in court against us under the Magnuson-Moss Warranty Act.

PRODUCT INSTRUCTIONS AND QUESTIONS

Upon purchase or prior to installation, please carefully inspect your Hansgrohe product for any damage or visible defect. Prior to installing, always carefully study the enclosed instructions on the proper installation and the care and maintenance of the product. If you have questions at any time about the use, installation, or performance of your Hansgrohe product, or this warranty, please call or write to us at the toll-free number and address printed above.

hansgrohe

Hansgrohe, Inc. • 1490 Bluegrass Lakes Parkway • Alpharetta, GA 30004
Tel. 770 360-9880 • Fax 770 360 9887

www.hansgrohe-USA.com