

Inca Smart (Gray or Stainless)

the perfect fit

Built - In Collection Standard Series

- cabinet or hood insert
- fits cabinets as small as 12" deep
- fits custom hoods 24" wide and up
- 250 cfm
- 2 halogen lights (SS model)
- 2 incandescent lights (GR models)
- 3 speed push control w/LED (SS model)
- 3 speed slider (GR models)
- dishwasher safe grease filters
- convertible to recirculating
- built-in mounting system
- sone range: 3.5 - 6.5
- 5" round duct



New Stainless Steel w/ halogen

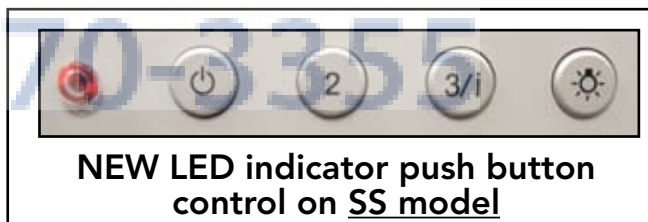
FABER

The Inca Smart power pack is perfect for the homeowner who does not want to see a range hood at all. This compact insert fits easily into upper cabinets as small as the standard 12" deep x 24" or 30" wide and features an exceptionally well-finished bottom.



Size | Color

Size Color	Model #
24 Gray	INSM24GR
28 Stainless	INSM28SS
28 Gray	INSM28GR



NEW LED indicator push button control on SS model

Inca Smart can be used in standard 24", 30" or 36" wide cabinetry or with custom hoods 24" wide and up. Choose either a custom liner or our Standard Liner designed for 30" and 36" wide installations.

a
c
c
e
s
s
o
r
i
e
s

Liners

Create a perfectly-sealed, non-combustible perimeter around the Inca Smart. Depth adjustable from 16" - 17 7/8".

- Standard Liner 30 Stainless LINE30ST
- Standard Liner 36 Stainless LINE36ST



Painted Gray

Charcoal Filters FILTER4

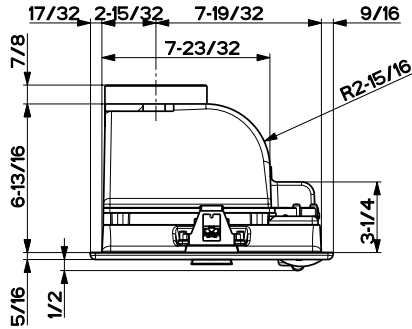
For recirculating installations, high quality, heavy duty filters ensure the removal of smoke and odors from the kitchen. Some ductwork is required to exhaust the unit out of the cabinet.



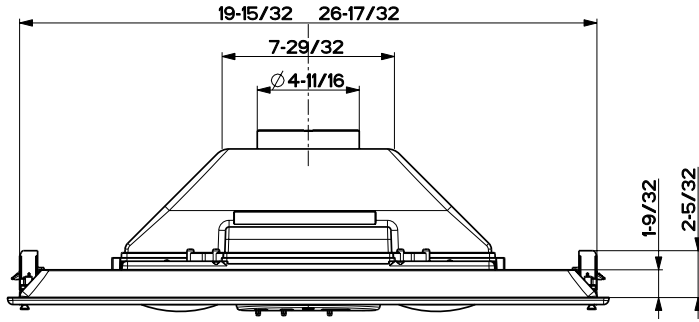
THE INCA SMART IS NOT DESIGNED FOR USE OVER PRO-STYLE COOKING SURFACES, INSTALLATIONS OVER THESE SURFACES VOIDS THE WARRANTY.

Dimensional Diagrams

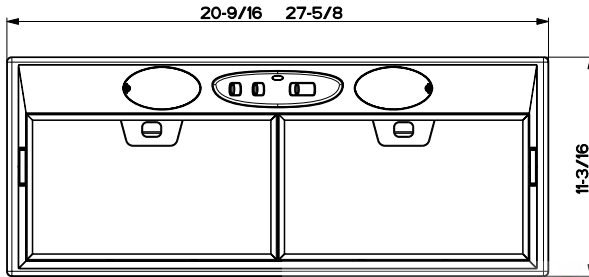
Front View



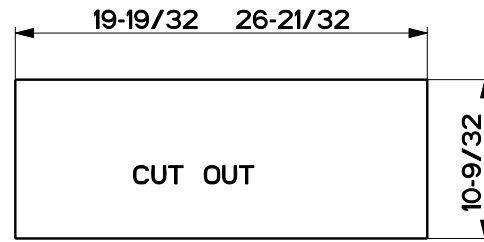
Side View



Bottom View

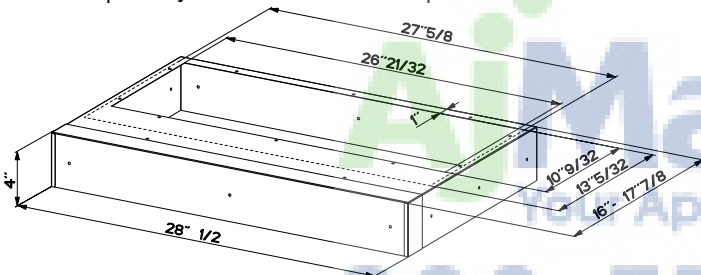


Cut Out



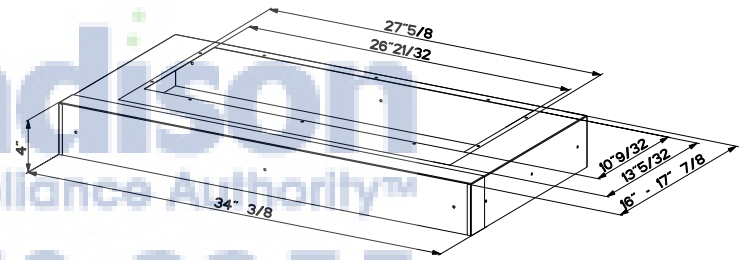
Liners

Create a perfectly-sealed, non-combustible perimeter around the Inca Smart. Designed for 30" and 36" wide installations. Depth adjustable from 16" - 17 7/8".



Standard Liner 30 Stainless (LINE30ST) designed for 30" wide installations

Note: Standard Liners are pre-cut for installation of Inca Smart. For installations with the Inca HC SS, remove the additional perforated section.



Standard Liner 36 Stainless (LINE36ST) designed for 36" wide installations

Pre-Planning Your Installation

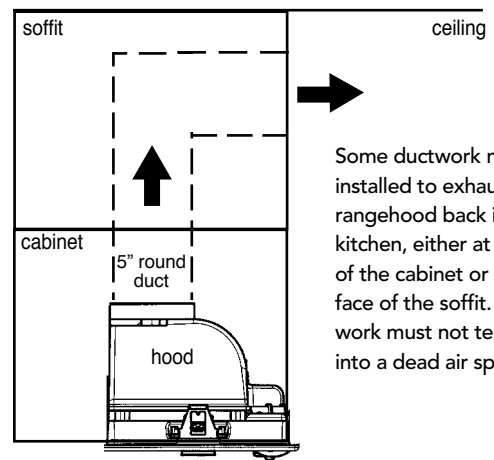
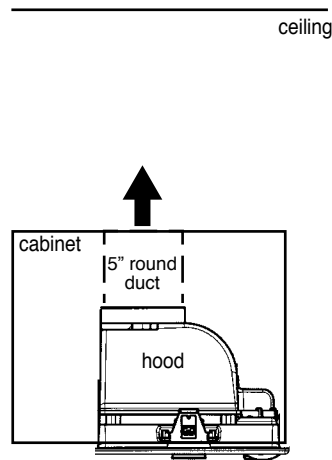
Important: Consult the installation instructions before you begin installing this rangehood. The recommended height to install this hood off the cooktop is a minimum of 24" and a maximum of 30" for maximum effectiveness. Also consult the cooktop manufacturer's recommendation.

Make your ductrun as straight and short as possible. The ductrun should not exceed 25 equivalent feet if ducted with the required minimum of 5" round duct. Count 45° angles as 3 feet, 90° elbows as 5 feet, and 90° flat elbows as 12 feet.

For best results, use no more than three 90° elbows. Make sure that there is a minimum of 24" of straight duct between elbows if more than one is used. Do not install two elbows together. If you must elbow right away, do it as far away from the hood's exhaust opening as possible.

Recirculating Installations

For installations where ductwork to the outside of your home is impossible or highly impractical **Charcoal Filters**, which insert behind the grease filters, absorb smoke and odors.



Some ductwork must be installed to exhaust the rangehood back into the kitchen, either at the top of the cabinet or at the face of the soffit. This ductwork must not terminate into a dead air space.

WARNING! Product specifications are subject to change without notification. Consult the installation instructions before you begin installing this rangehood.