

# Inca Smart insert 250 cfm

the perfect fit

BUILT-IN  
standard SERIES

- cabinet or hood insert
- fits cabinets as small as 12" deep
- fits custom hoods 30" wide and up
- ideal for wood hoods
- 250 cfm
- 2 incandescent lights
- 3 speed control
- dishwasher safe grease filters
- convertible to recirculating
- built-in mounting system
- sone range: 3.5 - 6.5
- 5" round duct



*The Inca Smart power pack is perfect for the homeowner who does not want to see a rangehood at all. This compact insert fits easily into upper cabinets as small as the standard 12" deep x 30" wide and features an exceptionally well-finished bottom.*



Size/Color/Model #

28 Gray 5974890



a  
c  
c  
e  
s  
s  
o  
r  
i  
e  
s

Inca Smart can be used in standard 30" or 36" wide cabinetry or with custom hoods 30" wide and up. Choose either a custom liner or our Standard Liner designed for 30" and 36" wide installations.

### Liners

Create a perfectly-sealed, non-combustible perimeter around the Inca Smart. Depth adjustable from 16" - 17 7/8".

- Standard Liner 30 Stainless 620000304
- Standard Liner 36 Stainless 620000305



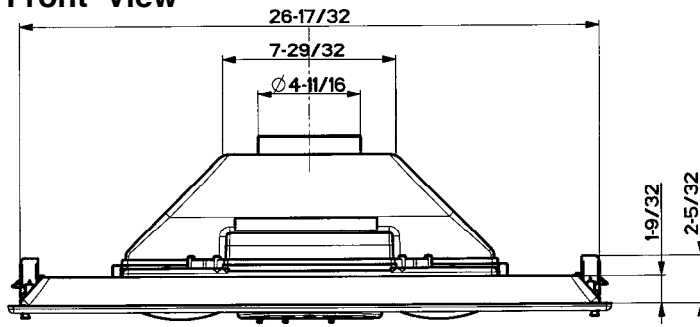
**Charcoal Filters** 6093130

For recirculating installations, high quality, heavy duty filters ensure the removal of smoke and odors from the kitchen. Some ductwork is required to exhaust the unit out of the cabinet.

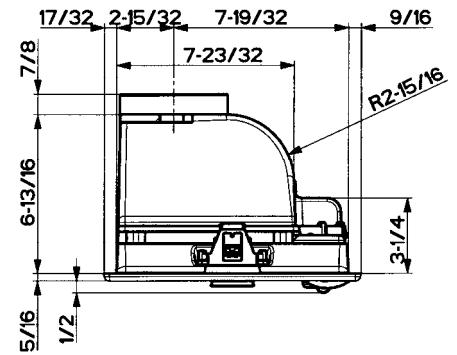
THE INCA SMART IS NOT DESIGNED FOR USE OVER PRO-STYLE COOKING SURFACES, INSTALLATIONS OVER THESE SURFACES VOIDS THE WARRANTY.

## Dimensional Diagrams

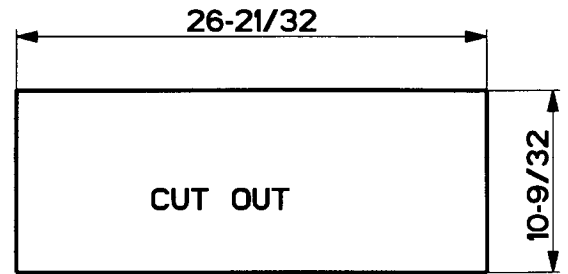
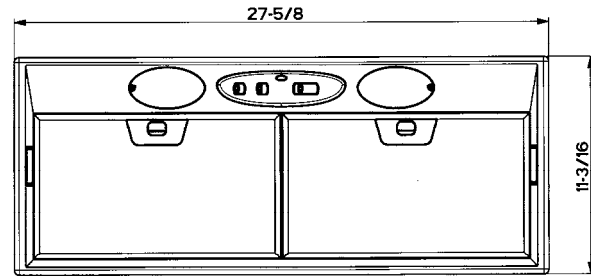
### Front View



### Side View

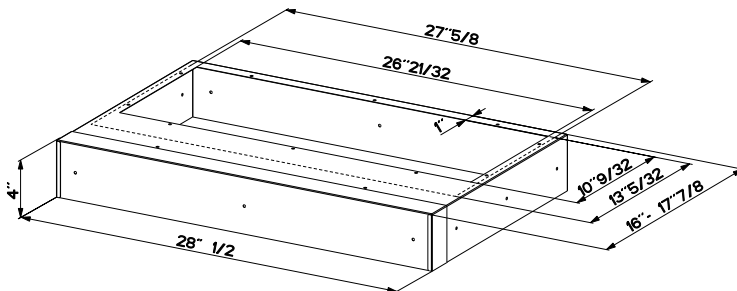


### Bottom View



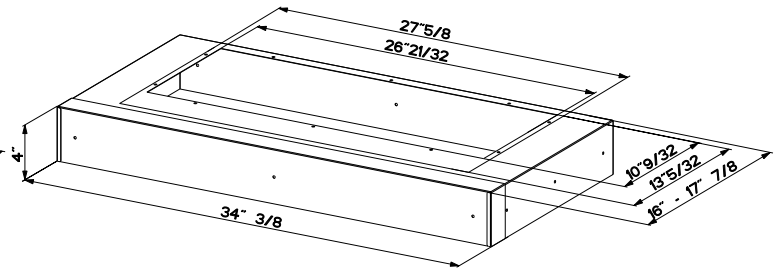
### Liners

Create a perfectly-sealed, non-combustible perimeter around the Inca Smart. Designed for 30" and 36" wide installations. Depth adjustable from 16" - 17 7/8".



**Standard Liner 30 Stainless (620000304)**  
designed for 30" wide installations

Note: Standard Liners are pre-cut for installation of Inca Smart. For installations with the Inca HC SS, remove the additional perforated section.



**Standard Liner 36 Stainless (620000305)**  
designed for 36" wide installations

**Pre-Planning Your Installation - Important:** Consult the installation instructions before you begin installing this rangehood. The recommended height to install this hood off the cooktop is a minimum of 24" and a maximum of 30" for maximum effectiveness. Also consult the cooktop manufacturer's recommendation.

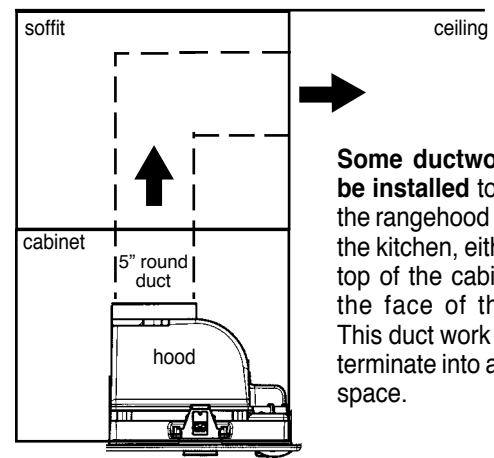
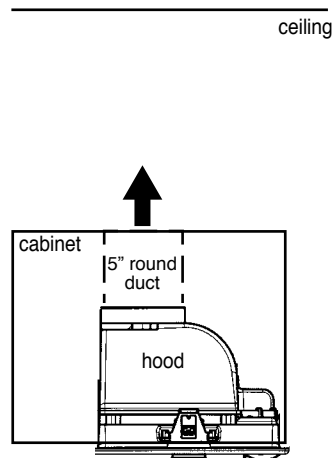
**Pre-Planning Your Ductwork - Important:** Consult the installation instructions before you begin installing this rangehood.

Make your ductrun as straight and short as possible. The ductrun should not exceed 25 equivalent feet if ducted with the required minimum of 5" round duct. Count 45° angles as 3 feet, 90° elbows as 5 feet, and 90° flat elbows as 12 feet.

For best results, use no more than three 90° elbows. Make sure that there is a minimum of 24" of straight duct between elbows if more than one is used. **Do not install two elbows together.** If you must elbow right away, do it as far away from the hood's exhaust opening as possible.

### Recirculating Installations

For installations where ductwork is impossible or highly impractical **Charcoal Filters**, which insert behind the grease filters, absorb smoke and odors.



**Some ductwork must be installed** to exhaust the rangehood back into the kitchen, either at the top of the cabinet or at the face of the soffit. This duct work must not terminate into a dead air space.

**WARNING!** Product specifications are subject to change without notification. Consult the installation instructions before you begin installing this rangehood.