

UPDATED 2011 MODEL - 600 CFM WITH ELECTRONIC CONTROLS

Inca HC SS

the high powered hideaway

Built - In Collection Standard Series

- high capacity insert
- fits custom hoods 30" wide and up
- stainless steel finish
- 600 cfm
- 2 halogen lights
- 3 speed LED electronic controls
- 10 minute intensive speed setting
- dishwasher safe stainless grease filters
- convertible to recirculating *
- top or direct rear venting
- built-in mounting system
- sone range: 3.5 - 6.5
- 6" round duct



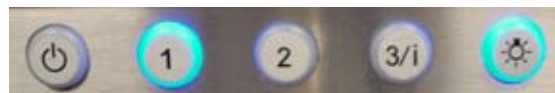
* it is highly recommended that professional style cooking always be vented to the outside.



Size/Color/Model

29 Stainless INHC29SS

The Inca HC SS power pack is perfect for the homeowner who needs powerful ventilation, but does not want to see a rangehood at all. This exceptionally finished power pack installs effortlessly into your custom cabinet or hood (30" wide and up)



New backlit electronic controls with a blue LED light to indicate the current speed and lighting on/off

a
c
c
e
s
s
o
r
i
e
s

CFM Reducer Kit

For use in make up air environments where an under 300 cfm hood is required. This kit reduces the ducting to 5" round and reduces the cfm to under 300

CFMRED

Liners

Create a perfectly-sealed, non-combustible perimeter around the Inca HC SS. Depth adjustable from 16" - 17 7/8". (Shown at Right)

Standard Liner 30 Stainless 620000304

Standard Liner 36 Stainless 620000305

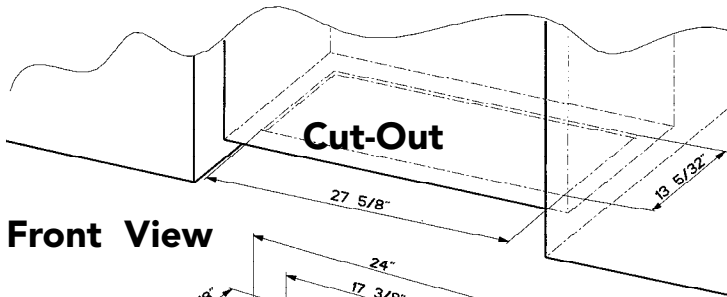


Charcoal Filters 6093034

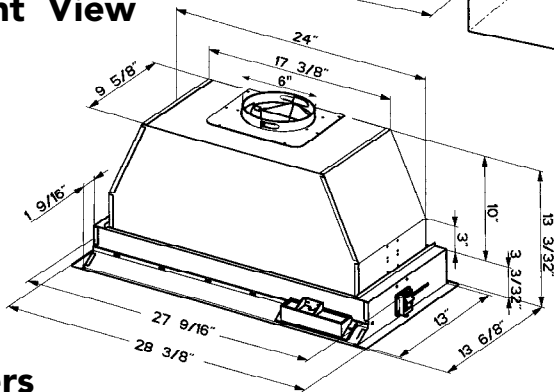
For recirculating installations, high quality, heavy duty filters ensure the removal of smoke and odors from the kitchen. Some ductwork is required to exhaust the unit out of the cabinet.



Dimensional Diagrams

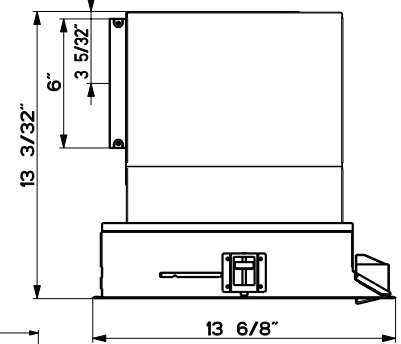


Front View

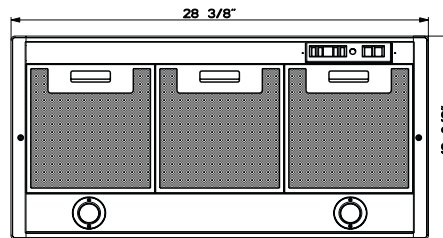


Note: The Inca HC comes standard in the top vent position. The direct rear vent position can be achieved by rotating the blower housing.

Side View

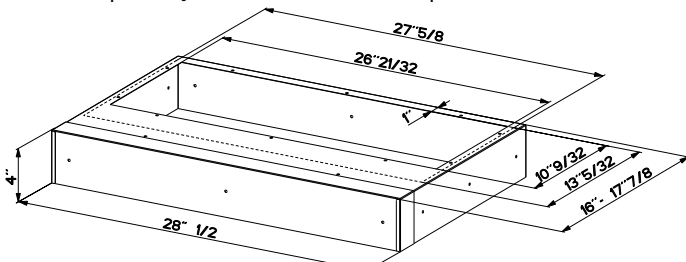


Bottom View

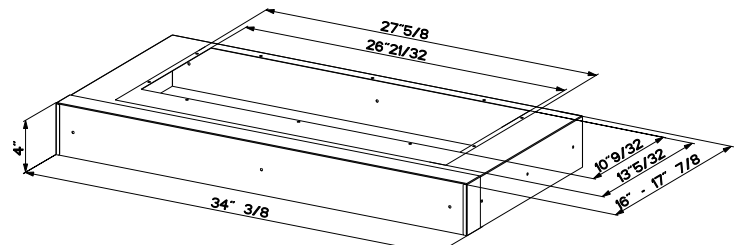


Liners

Create a perfectly-sealed, non-combustible perimeter around the Inca HC SS. Designed for 30" and 36" wide installations. Depth adjustable from 16" - 17 7/8".



Standard Liner 30 Stainless (620000304)
designed for 30" wide installations



Standard Liner 36 Stainless (620000305)
designed for 36" wide installations

Pre-Planning Your Installation - Important: Consult the installation instructions before you begin installing this rangehood. The recommended height to install this hood off the cooktop is a minimum of 24" and a maximum of 30" for maximum effectiveness. Also consult the cooktop manufacturer's recommendation.

Pre-Planning Your Ductwork - Important: Consult the installation instructions before you begin installing this rangehood.

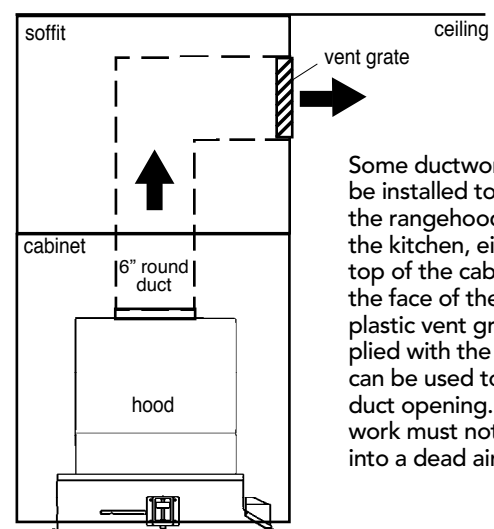
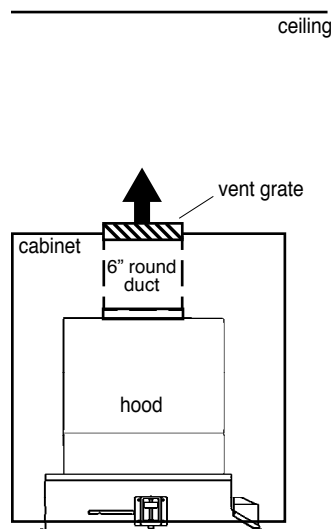
Make your ductrun as straight and short as possible. The ductrun should not exceed 35 equivalent feet if ducted with the required minimum of 6" round duct. Count 45° angles as 3 feet, 90° elbows as 5 feet, and 90° flat elbows as 12 feet.

For best results, use no more than three 90° elbows. Make sure that there is a minimum of 24" of straight duct between elbows if more than one is used. Do not install two elbows together. If you must elbow right away, do it as far away from the hood's exhaust opening as possible.

For more efficient airflow when venting to the rear: Rotate the Inca HC blower housing so that the 6" round exhaust outlet faces the back, rather than running ductwork up and elbowing back.

Recirculating Installations

For installations where ductwork to the outside of your home is impossible or highly impractical **Charcoal Filters**, which attach to the blower assembly, absorb smoke and odors.



Some ductwork must be installed to exhaust the rangehood back into the kitchen, either at the top of the cabinet or at the face of the soffit. A plastic vent grate supplied with the rangehood can be used to cover the duct opening. This duct work must not terminate into a dead air space.

WARNING! Product specifications are subject to change without notification. Consult the installation instructions before you begin installing this rangehood.