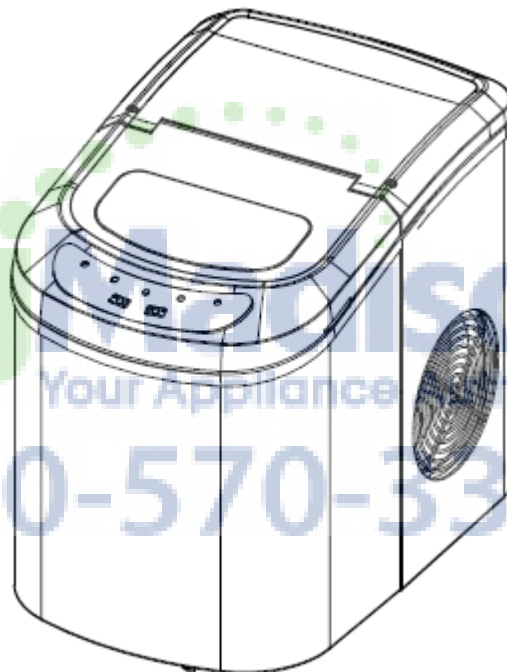




**ICE MAKER/MAQUINA DE HACER HIELO
INSTRUCTION MANUAL/MANUAL DE INSTRUCCIONES**

Model Number / No. de Modelo: IM12-IS



BEFORE USE, PLEASE READ AND FOLLOW ALL SAFETY RULES AND OPERATING INSTRUCTIONS.

La sección en español empieza en la página 14.

Avanti has a policy of continuous improvement on its products and reserves the right to change materials and specifications without notice.

Avanti Products, A Division of The Mackle Co., Inc.
P.O. Box 520604 - Miami, Florida 33152
www.avantiproducts.com

TABLE OF CONTENTS

Ice-Maker Safety	3
Important Safeguides	4
Help Us Help You	5
Parts and Features	6
Important Safety Instructions	7
Installation Instructions	7
Before Using Your Appliance	7
Installation of Your Appliance	7
Electrical Connection	8
Operating Your Appliance	9
Control Panel Description	9
Operating Your Appliance	10
Getting Ice from Ice-bin	10
Care and Maintenance	10
Cleaning Your Appliance	10
Space Requirements	10
Power Failure	11
Troubleshooting Guide	11
Service for Your Appliance	12
Wiring Diagram	12
Your Avanti Products Warranty	13
Instrucciones en Español	14 – 18
Registration Information and Registration Card	19

ICE MAKER SAFETY

YOUR SAFETY AND THE SAFETY OF OTHERS ARE VERY IMPORTANT.

We have provided many important safety messages in this manual for your appliance. Always read and obey all safety messages.



This is the safety alert symbol. This symbol alerts you to Potential hazards that can kill or injure you and others. All safety messages will follow the safety alert symbol And either the words "DANGER", "WARNING" or "CAUTION".



Danger means that failure to heed this safety statement may result in severe personal injury or death.



Warning means that failure to heed this safety statement may result in extensive product damage, serious personal injury, or death.



Caution means that failure to heed this safety statement may result in minor or moderate personal injury, property or equipment damage.

All safety messages will alert you to know what potential hazard is, tell you how to reduce the chance of injury, and let you know what can happen if the instructions are not followed.

AJMac
Your Appliance Authority
800-570-3355

IMPORTANT SAFEGUIDES



Before the appliance is used, it must be properly positioned and installed as described in this manual, so read the manual carefully. To reduce the risk of fire, electrical shock or injury when using the appliance, follow basic precaution, Including the following:

DANGER

- Plug into a grounded 3-prong outlet, do not remove grounding prong, do not use an adapter, and do not use an extension cord.
- It is recommended that a separate circuit, serving only your appliance be provided. Use receptacles that cannot be turned off by a switch or pull chain.
- Never clean appliance parts with flammable fluids. These fumes can create a fire hazard or explosion. And do not store or use gasoline or other flammable vapors and liquids in the vicinity of this or any other appliance. The fumes can create a fire hazard or explosion.
- Before proceeding with cleaning and maintenance operations, make sure the power line of the unit is disconnected.
- Do not connect or disconnect the electric plug when your hands are wet.
- Unplug the appliance or disconnect power before cleaning or servicing. Failure to do so can result in electrical shock or death.
- Do not attempt to repair or replace any part of your appliance unless it is specifically recommended in this manual. All other servicing should be referred to a qualified technician.

WARNING

FOLLOW WARNING CALL OUTS BELOW ONLY WHEN APPLICABLE TO YOUR MODEL

- Use two or more people to move and install appliance. Failure to do so can result in back or other injury.
- To ensure proper ventilation for your appliance, the front of the unit must be completely unobstructed. Choose a well-ventilated area with temperatures above 60°f (16°c) and below 90°f (32°c). This unit must be installed in an area protected from the element, such as wind, rain, water spray or drips.
- The appliance should not be located next to ovens, grills or other sources of high heat.
- The appliance must be installed with all electrical, water and drain connections in accordance with state and local codes. A standard electrical supply (115 v ac only, 60 hz), properly grounded in accordance with the national electrical code and local codes and ordinances is required.
- Do not kink or pinch the power supply cord of appliance.
- The fuse (or circuit breaker) size should be 15 amperes.
- It is important for the appliance to be leveled in order to work properly. You may need to make several adjustments to level it.
- All installation must be in accordance with local plumbing code requirements.
- Make certain that the pipes are not pinched or kinked or damaged during installations.
- Check for leaks after connection.
- Never allow children to operate, play with or crawl inside the appliance.
- If you use the drainage container, you must set the drain select switch to off or the water can overflow from the drainage container
- Although the unit has been tested at the factory, due to long-term transit and storage, the first batch of cubes must be discarded.
- Do not use solvent-based cleaning agents or abrasives on the interior. These cleaners may damage or discolor the interior.
- Do not use this apparatus for other than its intended purpose.

Help us help you...

Read this guide carefully.

It is intended to help you operate and maintain your new ice maker properly.

Keep it handy to answer your questions. If you don't understand something or you need more help, please call:

**Avanti customer service
800-220-5570**

Keep proof of original purchase date (such as your sales slip) with this guide to establish the warranty period.

Write down the model and serial numbers.

You'll find them on a plate located on the rear wall of the ice maker.

Please write these numbers here:

Date of purchase

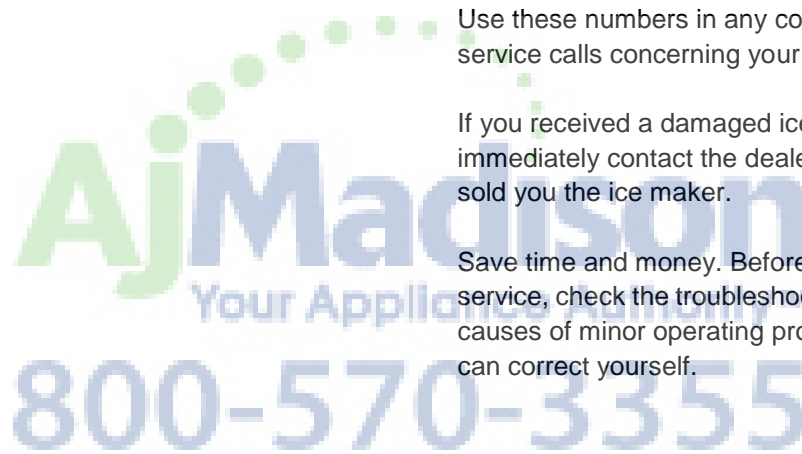
Model number

Serial number

Use these numbers in any correspondence or service calls concerning your ice maker.

If you received a damaged ice maker, immediately contact the dealer (or builder) that sold you the ice maker.

Save time and money. Before you call for service, check the troubleshooting guide. It lists causes of minor operating problems that you can correct yourself.



If you need service

We're proud of our service and want you to be pleased. If for some reason you are not happy with the service you receive, here are some steps to follow for further assistance.

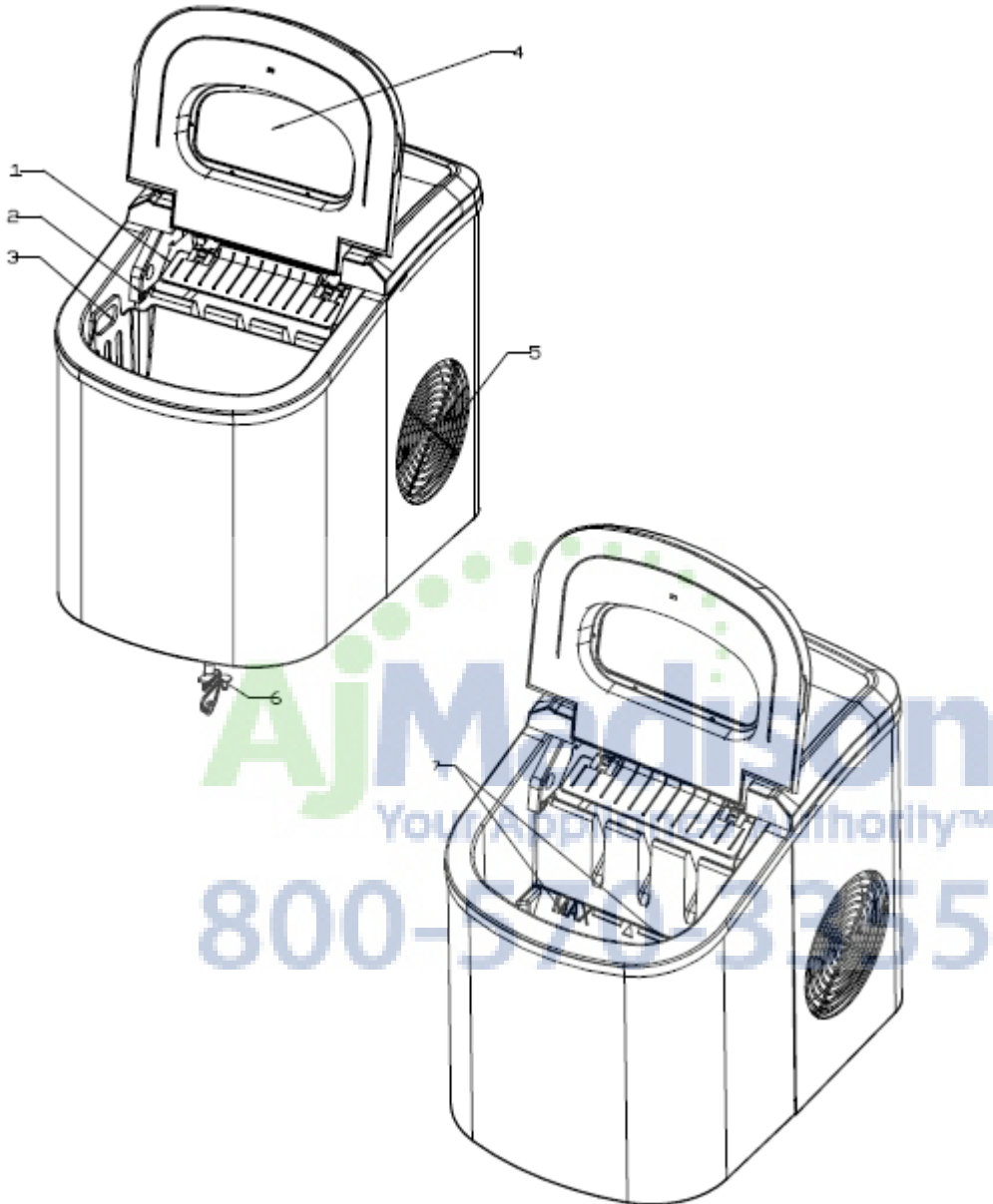
First, contact the people who serviced your ice maker. Explain why you are not pleased. In most cases, this will solve the problem.

Next, if you are still not pleased, write all the

details, including your telephone number, and send it to:

**Customer Service
Avanti Products
10880 NW 30th Street
Miami, FL 33172 USA**

PARTS AND FEATURES



1	ICE SCOOP	5	AIR VENT
2	ICE FULL SENSOR	6	WATER DRAIN PLUG
3	ICE BASKET	7	MAXIMUM WATER LEVEL MARK
4	TOP WITH CONTROL PANEL		

IMPORTANT SAFETY INSTRUCTIONS

⚡WARNING⚡	To reduce the risk of fire, electrical shock, or injury when using your ice maker, follow these basic precautions:
<ul style="list-style-type: none">• Read all instructions before using the ice maker.• Danger or Warning: risk of child entrapment.• Child entrapment and suffocation are not problems of the past. Junked or abandoned appliances are still dangerous. . . Even if they will “just sit in the garage a few days.”• Before you throw away your ice maker: Remove the ice-bin.• Never allow children to operate, play with, or crawl inside the appliance.• Never clean ice maker parts with flammable fluids. The fumes can create a fire hazard or explosion.• Do not store or use gasoline or any other flammable vapors and liquids in the vicinity of this or any other ice maker. The fumes can create a fire hazard or explosion. <p style="text-align: center;">-save these instructions-</p>	

INSTALLATION INSTRUCTIONS

➤ Before Using Your Ice Maker

- Remove the exterior and interior packing.
- Check to be sure you have all of the following parts:
 - 1 Instruction Manual
- Before connecting the ice maker to the power source, let it stand upright for approximately 2 hours. This will reduce the possibility of a malfunction in the cooling system from handling during transportation.
- Clean the interior surface with lukewarm water using a soft cloth.

➤ Installation Of Your Ice Maker

- Locate the ice maker away from direct sunlight and sources of heat (stove, heater, radiator, etc.). Direct sunlight may affect the acrylic coating and heat sources may increase electrical consumption. Extreme cold ambient temperatures may also cause the ice maker not to perform properly.
- Plug the ice maker into an exclusive properly installed-grounded wall outlet. Do not under any circumstances cut or remove the third (ground) prong from the power cord. Any questions concerning power and or grounding should be directed toward a certified electrician or an authorized Avanti products service center.

IMPORTANT: Do not install the Ice maker near an oven, radiator, or other heat source.

➤ **ELECTRICAL CONNECTION**

⚡ Warning ⚡

Improper use of the grounded plug can result in the risk of electrical shock. If the power cord is damaged, have it replaced by an authorized Avanti Products service center.

This appliance should be properly grounded for your safety. The power cord of this appliance is equipped with a three-prong plug which mates with standard three prong wall outlets to minimize the possibility of electrical shock.

Do not under any circumstances cut or remove the third ground prong from the power cord supplied. For personal safety, this appliance must be properly grounded.

This appliance requires a standard 115/120 Volt AC ~/60Hz electrical ground outlet with three-prong. Have the wall outlet and circuit checked by a qualified electrician to make sure the outlet is properly grounded. When a standard 2-prong wall outlet is encountered, it is your responsibility and obligation to have it replaced with a properly grounded 3-prong wall outlet.

The cord should be secured behind the appliance and not left exposed or dangling to prevent accidental injury.

The appliance should always be plugged into its own individual electrical outlet which has a voltage rating that matches the rating label on the appliance. This provides the best performance and also prevent overloading house wiring circuits that could cause a fire hazard from overheated. Never unplug the appliance by pulling the power cord. Always grip the plug firmly and pull straight out from the receptacle. Repair or replace immediately all power cords that have become frayed or otherwise damaged. Do not use a cord that shows cracks or abrasion damage along its length or at either end. When moving the appliance, be careful not to damage the power cord.

➤ **EXTENSION CORD**

Because of potential safety hazards under certain conditions, it is strongly recommended that you do not use an extension cord with this appliance. However, if you must use an extension cord it is absolutely necessary that it be a UL/CUL-Listed, 3-wire grounding type appliance extension cord having a grounding type plug and outlet and that the electrical rating of the cord be 115 volts and at least 10 amperes.

➤ **SURGE PROTECTOR**

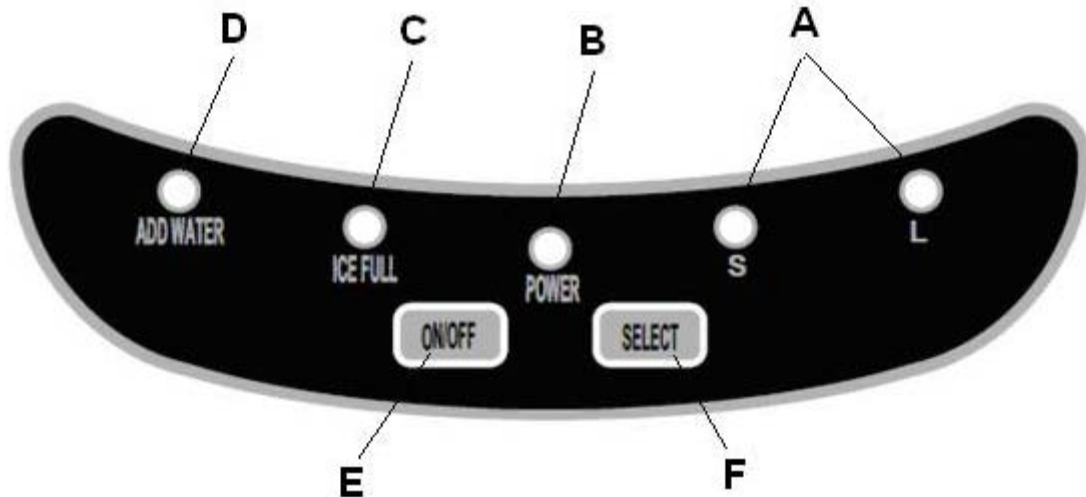
Most electrical appliances use a series of electric control boards to operate. These boards are very susceptible to power surges and could be damaged or destroyed.

If the appliance is going to be used in an area or if your city / country is prone to power surges / outages; it is suggested that you use a power surge protector for all electrical devices / appliances you use. The surge protector that you select must have a surge block high enough to protect the appliance it is connected to. If you have any questions regarding the type and size of surge protector needed contact a licensed electrician in your area.

Damages due to power surges are not considered a manufacturer covered defect and will void your product warranty.

OPERATING YOUR ICE MAKER

➤ Control Panel Description



A	CUBE SIZE INDICATOR LIGHTS	D	WATER SHORTAGE INDICATOR LIGHT
B	POWER INDICATOR LIGHT	E	POWER ON / OFF BUTTON
C	ICE-FULL INDICATOR LIGHT	F	CUBE SIZE SELECTOR BUTTON

Ice Size

ICE SIZE SELECTION of (S) small or (L) large.

The default cube size from the factory is set at LARGE.

Each time you press this button the cube size selection will change between Small and Large.

The chosen mode shall stay as selected unless changed or there is a power failure.

For the most efficient operation when ambient temperature is below 15° C (59°F) use the small cube size setting.

LED INDICATORS

POWER INDICATOR (GREEN)

The indicator above the word POWER will illuminate green when the unit is turned on.

ICE SIZE INDICATOR (GREEN) (S) small or (L) large.

The indicator above the selected cube size will be illuminated green.

ADD WATER INDICATOR (RED).

The ice maker automatically checks the water level in the tank. If the water level is too low the indicator will illuminate in RED and will stop working automatically. Once you add water to the unit the indicator will turn off and will resume normal operation.

ICE FULL INDICATOR (RED).

When the ice-bin is full, the indicator will illuminate in RED. The indicator will remain lit until the ice in the bin either melts away slowly or has been removed. The unit will stay in a "Standby" mode until the ice has been removed / melted at which time the unit will automatically start operation as normal.

Operating Instructions

Starting your Ice maker

- Open the top cover and remove the ice basket.
- Remove any dust or objects that may be in the water tank
- Fill the water tank up to the area marked "MAX":
- Select desired ice cube size by pressing the "ice size" selector (**Small or Large**).
- The ice-maker will automatically check the water level in the reservoir periodically. The ice maker will detect any shortage of water and will stop the ice-making cycle, the ADD WATER indicator will be lit. Press the POWER button and fill the reservoir with water. Press the ON/OFF button again to restart the ice-making cycle or wait 3 minutes after the ADD WATER indicator goes out as the ice-maker will begin its normal operation cycle automatically.
- When the ice cubes are collected and reach the bin sensor, the ice maker will stop operating and the ICE FULL indicator will be lit.
- There are two sizes of ice cubes available, therefore the larger the ice cube selected, the longer the time it will take to complete the cycle. When the ambient temperature is lower than 15° C (59°F), the small ice cubes sizes are recommended to avoid ice cubes clumping together.
- For best performance, water temperature should be between 7° C (45°F) and 35° C (95°F) and ambient between 15° C (59°F) and 25° C (77°F).

Getting Ice from the Ice-bin

- Open the top cover to access the ice basket.
- Remove the amount of ice as desired and close the top.

CARE AND MAINTENANCE

Caution

Failure to unplug the ice maker could result in electrical shock or personal injury.

➤ Cleaning Your Ice Maker

- To ensure the cleanliness of the ice cubes, water in the reservoir should be replaced every 24 hours.
- Remove the drain plug to drain remaining water from the water reservoir when the ice maker will not be used for long period of time. Screw the drain plug back in place after the water has been drained.
- Always change with fresh water before starting ice production at initial installation or after long shut-off periods.
- Please clean your Ice maker regularly. When cleaning, unplug the unit and remove the ice cubes. Use a diluted solution of water and vinegar to clean the inside and the outside surface of the Ice maker. Do not spray Ice maker with chemicals or diluted agents such as acids, gasoline or oil. Rinse thoroughly before starting.

➤ Space Requirements

- During transportation, the incline angle of the cabinet should not be over 45°
- Do not turn the Ice maker upside down. Problems could occur in the compressor and sealed system.
- The Ice maker should be placed horizontally on a properly leveled surface.
- To ensure proper ventilation for your Ice maker allow 6" of space at the top, the back and on each side.
- Before using the Ice maker for the first time, please wait 2 hours after positioning it.
- Clean the inner liner, ice-bin, water box, water cup frequently.

IMPORTANT: Do not install the Ice maker near an oven, radiator, or other heat source.

➤ **Power Failure**

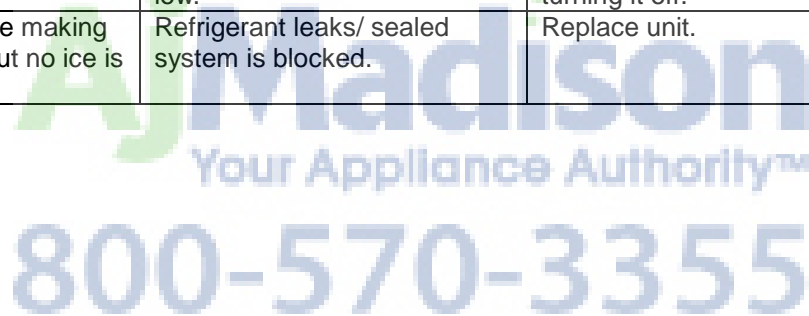
Most power failures are corrected within a few hours and should not affect the temperature of your ice maker if you minimize the number of times the ice-bin is opened. If the power is going to be OFF for a longer period of time, you need to take the proper steps to disconnect your appliance.

PROBLEMS WITH YOUR ICE MAKER?

You can solve many common ice maker problems easily, saving you the cost of a possible service call. Try the suggestions below to see if you can solve the problem before calling the servicer.

TROUBLESHOOTING GUIDE

Problem	Possible Cause	Suggested Solutions
The compressor works abnormally with a buzzing Noise.	The voltage is lower than recommended.	Stop the ice maker and do not restart until the voltage is normal.
Water shortage indicator Light is on.	There is not enough water in the reservoir.	Press the ON/OFF button, fill with water, wait 3 minutes and press the power button again to restart.
Ice full indicator light is on.	Ice storage cabinet is full to the top.	Remove some of the ice.
Indicator lights are off.	Blown fuse/ no power/blown breaker	Replace fuse / turn power on.
The ice made is too large and with pieces sticking together.	The water temperature in the storage tray or ambient is too low.	Stop the machine and reset the ice making cycle. Restart the machine after turning it off.
Conditions for ice making cycle are right but no ice is made.	Refrigerant leaks/ sealed system is blocked.	Replace unit.



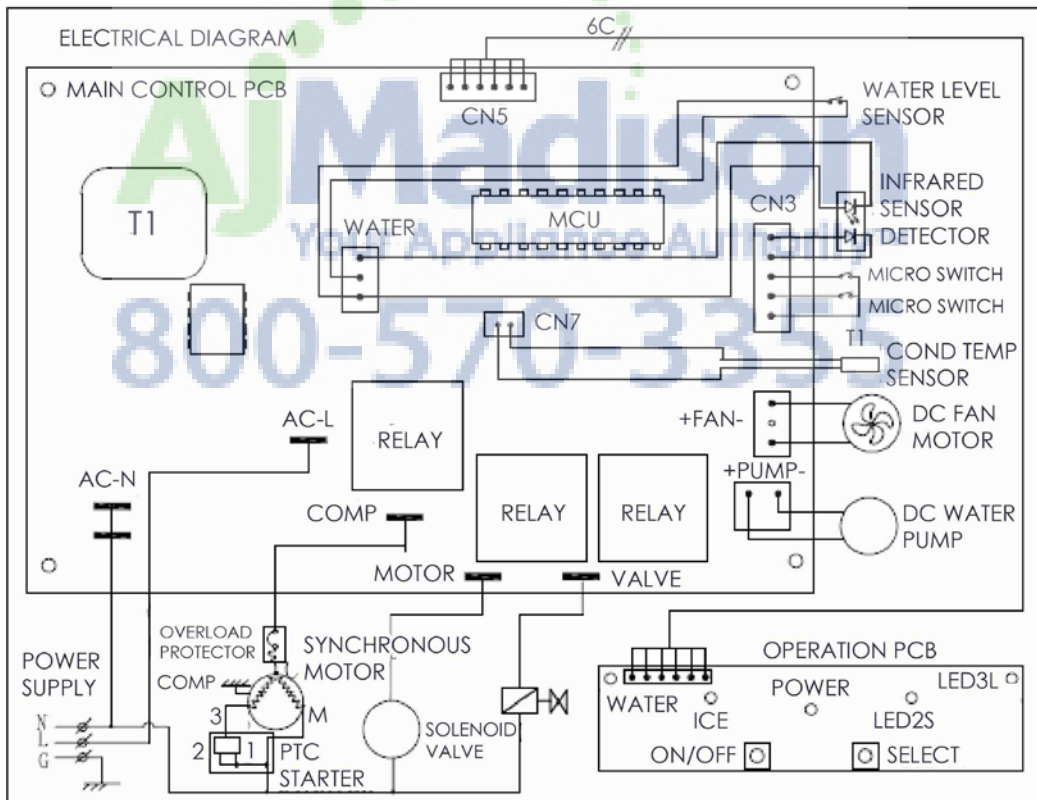
Service For Your Ice Maker

We are proud of our customer service organization and the network of professional service technicians that provide service on your Avanti ice maker. With the purchase of your Avanti ice maker, you can be confident that if you ever need additional information or assistance, the Avanti Products Customer Service team will be here for you. Just call us toll-free.

Avanti Products Customer Services

Product information 800-323-5029	Whatever your questions are about our products, help is available.
Part orders 800-220-5570	You may order parts and accessories that will be delivered directly to your home, by personal check, money order, master card, or visa.
In-home repair service 800-220-5570	An Avanti Products authorized service center will provide expert repair service, scheduled at a time that is convenient for you. Our trained servicers know your ice maker inside and out.

WIRING DIAGRAM



YOUR AVANTI PRODUCTS WARRANTY

Staple your sales receipt here. Proof of original purchase date is needed to obtain service under warranty.

WHAT IS COVERED **LIMITED ONE-YEAR WARRANTY**

For one year from the date of purchase by the original owner, Avanti Products will, at its option, repair or replace any part of the unit, which proves to be defective in material or workmanship under normal use. During this period Avanti Products will provide all parts and labor necessary to correct such defects free of charge, so long as the unit has been installed and operated in accordance with the written instructions in this manual. Avanti Products will provide you with a reasonably similar replacement product that is either new or factory refurbished. In rental or commercial use, the warranty period is 90 days. All Avanti Appliances of 3.5 cubic feet capacity or less must be brought/sent to the appliance service shop for repair.

LIMITED SECOND THROUGH FIFTH YEAR WARRANTY

For the second through the fifth year from date of original purchase, Avanti Products will provide a replacement compressor free of charge due to a failure. You are responsible for the service labor and freight charges. In rental or commercial use, the limited compressor warranty is one year and nine months. Cost to move the unit to the servicers' shop and back to the user's home, as may be required, are the user's responsibility.

WHAT IS NOT COVERED

- Content losses of food due to spoilage.
- Incidental or consequential damages.
- Parts and labor costs for the following will not be considered as warranty:
 - Door springs, and/or frames.
 - Inner door panels, door rails and/or door supports.
 - Light bulbs and/or plastic housing.
 - Plastic cabinet liners.
 - Punctured evaporator that voids the warranty on the complete sealed system.
 - Shipping and handling costs associated with the replacement of the unit.
- Repairs performed by unauthorized servicers.
- Service calls that do not involve defects in material or workmanship such as customer education, door reversal, or proper installation.
- Surcharges including, but not limited to, any after hour, weekend, or holiday service calls, tolls, ferry trip charges, or mileage expenses for service calls to remote areas, including the state of Alaska.
- Service calls that are related to external problems, such as abuse, misuse, inadequate electrical power, accidents, fire, floods, or acts of God.
- Replacement of house fuses or resetting circuit breakers.
- Failure of the product if it is used for other than its intended purpose.
- This warranty does not apply outside the Continental USA.

MEDIDAS DE PRECAUCION IMPORTANTES

⚡ ADVERTENCIA ⚡	Para reducir el riesgo de un incendio, choque eléctrico o daños personales cuando use la máquina de hacer hielo, siga estas precauciones básicas.
<ul style="list-style-type: none">• Lea todas las instrucciones antes de usar la máquina de hacer hielo.• Peligro o Advertencia: riesgo de niños atrapados.• Los niños atrapados o sofocados no son un problema del pasado. Electrodomésticos abandonados aun son peligrosos...aun cuando "solo estarán en el garaje un par de días".• Antes de botar su máquina de hacer hielo: Retire la bandeja de hielo.• Nunca permita que los niños operen, jueguen con o se introduzcan en la máquina.• Nunca limpie la máquina de hacer hielo o las piezas con líquidos inflamables. Los vapores pueden causar peligro de fuego o explosión.• No guarde ni use gasolina u otros vapores o líquidos inflamables cerca a este u otra máquina de hacer hielo. Los vapores pueden causar peligro de fuego o explosión.• <p style="text-align: center;">-guarde estas instrucciones -</p>	

INSTRUCCIONES DE INSTALACION

➤ Antes de usar su Máquina de Hacer Hielo

- Retire el empaque interno y externo.
- Verifique que haya recibido las siguientes piezas:
 - 1 Manual de Instrucciones
- Antes de conectar la máquina de hacer hielo a la corriente eléctrica, colóquela parada en posición vertical por 2 horas aproximadamente. Esto reducirá la posibilidad de mal funcionamiento en el sistema de enfriado, causado por el manejo y manipuleo durante el transporte.
- Limpie la superficie interior con agua tibia, usando un trapito suave.

➤ Instalación de su máquina de hacer hielo

- Coloque la máquina de hacer hielo fuera de la luz solar directa y de Fuentes de calor (cocina, calentador, radiador, etc.). La luz solar directa puede afectar la capa acrílica y las fuentes de calor puede incrementar el consumo eléctrico. Las temperaturas de ambiente extremadamente altas también podrían ocasionar que su máquina de hacer hielo no funcione correctamente.
- Conecte la máquina de hacer hielo a un receptáculo/enchufe de pared correctamente instalado, de uso exclusivo para esta. Bajo ninguna circunstancia corte o retire la tercera punta (cable a tierra) del cordón. Cualquier consulta que tenga referente a la electricidad y/o cable a tierra, debe ser dirigida a un electricista certificado o a un centro de servicios autorizado por Avanti Products.

IMPORTANTE: No instale la Máquina de hacer hielo cerca a un horno, radiador u otras fuentes de calor.

➤ [Conexión Eléctrica](#)

⚡ ADVERTENCIA ⚡

EL USO INAPROPIADO DEL ENCHUFE A TIERRA PUEDE OCASIONAR RIESGO DE UN CHOQUE ELECTRICO. SI EL CORDON SE DAÑASE, LLEVELO A UN CENTRO DE SERVICIO AUTORIZADO POR AVANTI PRODUCTS PARA QUE SE REEMPLACE.

- Para su seguridad, esta máquina de hacer hielo debe estar apropiadamente conectada a tierra. El cordón eléctrico de esta máquina de hacer hielo esta equipado con un enchufe de tres puntas, el cual encaja perfectamente en los receptáculos/enchufes de pared de tres puntas estándar, para minimizar la posibilidad de un choque eléctrico.
- Bajo ninguna circunstancia corte o retire la tercera punta (cable a tierra) del enchufe del cordón eléctrico.
- Nunca use un cable de extensión para conectar la unidad a la electricidad.
- Nunca use un adaptado con enchufe de solo 2 puntas.
- Si solo puede conectar la máquina de hacer hielo a un receptáculo/enchufe de pared de 2 puntas, comuníquese con un electricista calificado para que reemplace ese receptáculo/enchufe de pared por uno de 3 puntas, de acuerdo con los códigos de electricidad aplicables.
- Esta máquina de hacer hielo requiere un receptáculo/enchufe de pared de tres puntas estándar de 115/120 voltios a.c.-/60hz.
- Para prevenir cualquier daño físico o lesión, el cordón debe ser asegurado detrás de la máquina de hacer hielo y no estar expuesto o colgando.

➤ [Cable de Extensión](#)

Debido al posible riesgo de seguridad causado bajo ciertas circunstancias, se recomienda firmemente que no use un cable de extensión para este electrodoméstico. Sin embargo, si no tiene otra opción mas que usar un cable de extensión, asegúrese que este sea un cable de extensión para electrodomésticos que este listado bajo UL/CUL, que tenga enchufe y receptáculo para enchufe de tres puntas (cable a tierra) y que la capacidad del cordón eléctrico sea de 115 voltios y no menos de 10 amperios.

➤ [Protector contra variaciones de corriente eléctrica \(Surge Protector\).](#)

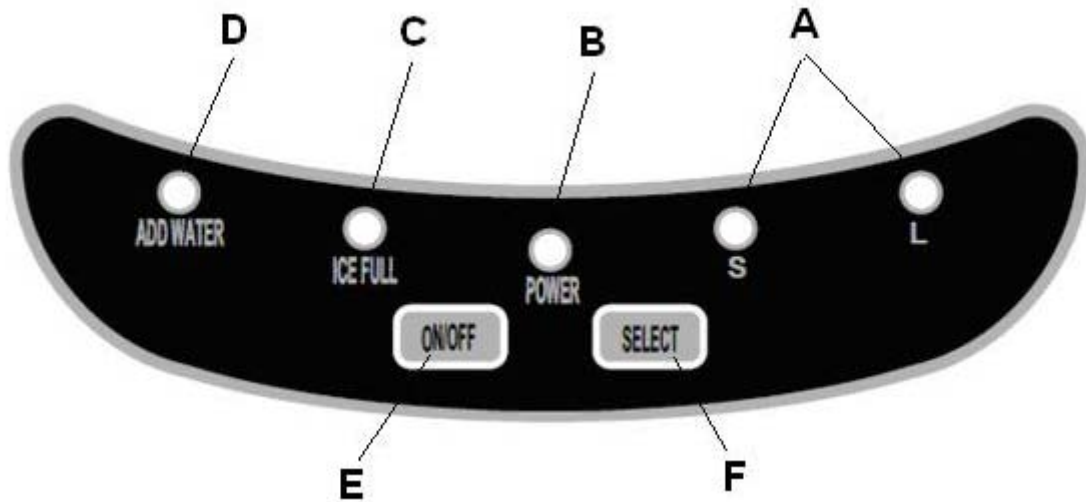
La mayoría de electrodomésticos utilizan una series de paneles de control para operar. Estos paneles son muy susceptibles a las variaciones de corriente eléctrica, las cuales causan que estos se dañen o destruyen.

Si vive en un área o ciudad done hay muchas variaciones de corriente o apagones, se recomienda que utilice un protector contra variaciones de corriente para todos los electrodomésticos y aparatos eléctricos. El protector que elija debe bloquear una variación de electricidad alta para poder proteger el electrodoméstico al cual está conectado. Por favor contáctese con un electricista licenciado en su área si tuviera preguntas en referencia al tipo y tamaño de protector que necesita.

Daños debido a variaciones de electricidad no se consideran un defecto del fabricante y podrían anular la garantía.

OPERANDO SU MÁQUINA DE HACER HIELO

➤ Descripción del Panel de Control



A	Indicador de tamaño del hielo	D	Indicador para añadir agua
B	Indicador de encendido	E	Botón para encender / apagar la unidad
C	Indicador del recipiente de hielo lleno	F	Botón para seleccionar el tamaño del hielo

ON / OFF (Encender / Apagar)

Presione para encender o apagar la unidad.

Ice Size / Tamaño del hielo

SELECCIÓN DE TAMAÑO DEL HIELO hay dos tamaños: (S) pequeño o (L) grande.

El tamaño pre-programado en la fábrica es L (grande).

Cada vez que presione el botón de selección de tamaño del hielo, el tamaño aumentará en progresión (Small o Large).

El tamaño elegido se mantendrá programado hasta que ud. lo cambie o se desconecte la electricidad.

INDICADORES DE PANTALLA

INDICADOR DE TAMAÑO DEL HIELO (VERDE) (S) pequeño o (L) grande.

El indicador debajo del tamaño del hielo seleccionado se iluminará en verde.

INDICADOR PARA AÑADIR AGUA (ROJO).

La máquina de hacer hielo automáticamente verifica el nivel de agua en el tanque. Si el nivel de agua en el tanque fuera muy bajo, el indicador para añadir agua se iluminará en ROJO y detendrá el funcionamiento. Una vez que haya añadido el agua, el indicador se apagará y empezará a funcionar normalmente.

INDICADOR DEL CONTENEDOR DE HIELO LLENO (ROJO).

Cuando el contenedor de hielo está lleno, el indicador se iluminará ROJO. El indicador se mantendrá iluminado hasta que el hielo en el recipiente se derrita lentamente o se remueva.

La unidad se mantendrá en modo de espera (Standby) hasta que el hielo haya sido removido / derretido, entonces la unidad empezará a funcionar normalmente.

Instrucciones de Operación

Iniciando el proceso con su máquina de hacer hielo

- Levante la tapa de la unidad.
- Remueva el polvo o cualquier objeto que esté en el tanque de agua.
- Llena el tanque de agua hasta el área marcada "MAX".
- Seleccione el tamaño del hielo deseado y presione el botón **(S)** pequeño o **(L)** grande.
- La máquina de hacer hielo automáticamente verifica el nivel de agua en el tanque. Si el nivel de agua en el tanque fuera muy bajo, el indicador para añadir agua (ADD WATER) se iluminará en ROJO y detendrá el funcionamiento.
- Presione el botón ON/OFF y llene el tanque de agua. Espere 3 minutos después que el indicador para añadir agua (ADD WATER) se apague.
- Una vez que haya añadido el agua, el indicador se apagará y empezará a funcionar normalmente.
- Cuando los cubos de hielo se van almacenando y llegan al tope del sensor, la máquina de hacer hielo detendrá el funcionamiento y el indicador de ICE FULL (CICLO COMPLETO) se encenderá.
- Hay dos tamaños de cubos de hielo para su elección, por lo tanto, mientras más grande sea el tamaño deseado mas tiempo tomará el ciclo completo. Cuando la temperatura ambiente sea más baja que 15°C (59°F), se recomienda elegir cubos de hielo de tamaño S (pequeño) ya que esto evitará que los cubos de hielo se peguen unos a otros.
- Para mejor funcionamiento, la temperatura del agua debe estar entre 7°C (45°F) y 35°C (95°F) y la del ambiente entre 15°C (59°F) y 25°C (77°F).

Sacando hielo del recipiente de hielo

- Levante la tapa de la unidad.
- Retire la cantidad de hielo deseada, baje la tapa a su sitio original y cierre.

CUIDADO Y MANTENIMIENTO

Precaución

Asegúrese de desconectar la máquina de hacer hielo de la electricidad antes de limpiarla, de lo contrario puede ocasionar un choque eléctrico o daño personal.

➤ Limpiando su máquina de hacer hielo

- Para asegurar la higiene en los cubos de hielo, el agua del tanque debe ser reemplazada cada 24 horas.
- Cuando la máquina de hacer hielo no sea usada por un periodo de tiempo largo, retire el tapón del drenaje para que el agua remanente del tanque sea descartada. Coloque el tapón del drenaje nuevamente en su sitio después que toda el agua haya sido drenada.
- Siempre use agua fresca antes de empezar la producción de hielo durante la instalación inicial o después de largos periodos de inactividad.
- Por favor limpie su máquina de hacer hielo regularmente. Cuando la limpie, desconecte la unidad de la electricidad y retire los cubos de hielo. Use una solución diluída de agua y vinagre para limpiar el interior y el exterior de la superficie de la máquina de hacer hielo. No rocíe la máquina de hacer hielo con sustancias químicas o agentes diluídos, tales como ácidos, gasolina o aceite. Enjuague bien antes de empezar el funcionamiento.

➤ **Requerimientos de espacio**

- El ángulo de inclinación de la unidad durante el transporte no debe exceder los 45°
- No ponga la máquina de hacer hielo de cabeza ya que esto puede producir problemas en el compresor y el sistema sellado.
- La máquina de hacer hielo debe ser colocada sobre una superficie correctamente nivelada.
- Para asegurar ventilación apropiada para su máquina de hacer hielo, deje 6" de espacio encima de la superficie, la parte posterior y los lados.
- Antes de usar la máquina de hacer hielo por primera vez, por favor espere 2 horas después de colocarla en su posición final.
- Limpie la superficie interna, el contenedor del hielo, el tanque de agua y el reservorio para rellenar el tanque de agua con mucha frecuencia.

IMPORTANTE: No instale la máquina de hacer hielo cerca a un horno, radiador ni otra fuente de calor.

➤ **Falta de electricidad**

Cuando la electricidad se va, la mayoría de las veces esta regresa en unas pocas horas y no debe afectar la temperatura de su máquina de hacer hielo siempre y cuando ud. minimice las veces que se abra la puerta del contenedor del hielo. Si la electricidad va a estar desconectada por un largo período de tiempo, entonces debe tomar los pasos apropiados y desconectar la unidad.

PROBLEMAS CON SU MÁQUINA DE HACER HIELO?

Ud. puede resolver muchos problemas simples de máquina de hacer hielo fácilmente, ahorrándose el costo de una visita del servicio técnico. Pruebe las sugerencias a continuación para ver si con ellas puede resolver el problema antes de llamar al técnico.

GUIA PARA RESOLVER PROBLEMAS

Problema	Causa Posible	Sugerencias
El compresor no funciona normalmente, tiene un ruido.	El voltaje es menor que el recomendado.	Apague la máquina de hacer hielo y no la encienda hasta que el voltaje vuelva a la normalidad.
El indicador para añadir mas agua está encendido.	El tanque de agua no tiene suficiente agua.	Presione el botón ON/OFF, llene de agua, espere 3 minutos y luego encienda la unidad presionando el botón START.
El indicador de recipiente de hielo lleno esta encendido.	El recipiente de hielo está lleno hasta el tope.	Remueva un poco de hielo.
Las luces indicadoras están apagadas.	Se voló un fusible / la máquina no está conectada o no hay electricidad / voló el interruptor.	Reemplace el fusible / verifique que la máquina esta enchufada / encienda la máquina.
Los cubos de hielo son muy grandes y se están pegando unos a otros.	La temperatura del agua en el recipiente de hielo o del ambiente es muy baja.	Apague la máquina y re programe el ciclo de hacer hielo. Luego de apagar la máquina enciéndala otra vez.
Todas la condiciones para el ciclo de hacer hielo están correctas pero no hay hielo.	Fuga o goteo de refrigerante / el sistema sellado está bloqueado.	Reemplace la unidad.

REGISTRATION INFORMATION

Thank you for purchasing this fine Avanti product. Please fill out this form and return it within 100 days of purchase to receive these important benefits to the following address:

**Avanti Products, A Division of The Mackle Co., Inc.
P.O. Box 520604 - Miami, Florida 33152 USA**

➤ **PROTECT YOUR PRODUCT:**

We will keep the model number and date of purchase of your new Avanti product on file to help you refer to this information in the event of an insurance claim such as fire or theft.

➤ **PROMOTE BETTER PRODUCTS:**

We value your input. Your responses will help us develop products designed to best meet your future needs.

------(DETACH HERE)-----

AVANTI REGISTRATION FORM

NAME	MODEL #	SERIAL #
ADDRESS	DATE PURCHASED	STORE/DEALER NAME
CITY	STATE	ZIP
AREA CODE	OCCUPATION	
<p>AS YOUR PRIMARY RESIDENCE, DO YOU: <input type="checkbox"/> OWN <input type="checkbox"/> RENT</p>		
<p><u>DID YOU PURCHASE AN ADDITIONAL WARRANTY:</u> <input type="checkbox"/> EXTENDED <input type="checkbox"/> NONE</p>		
<p><u>REASON FOR CHOOSING THIS AVANTI PRODUCT:</u> PLEASE INDICATE THE MOST IMPORTANT FACTORS THAT INFLUENCED YOUR DECISION TO PURCHASE THIS PRODUCT.</p>		
<p><input type="checkbox"/> PRICE</p>		
<p><input type="checkbox"/> PRODUCT FEATURES</p>		
<p><input type="checkbox"/> AVANTI REPUTATION</p>		
<p><input type="checkbox"/> PRODUCT QUALITY</p>		
<p><input type="checkbox"/> SALESPERSON RECOMMENDATION</p>		
<p><input type="checkbox"/> FRIEND/RELATIVE RECOMMENDATION</p>		
<p><input type="checkbox"/> WARRANTY</p>		
<p><input type="checkbox"/> OTHER _____</p>		
<p><u>YOUR AGE:</u> <input type="checkbox"/> UNDER 18 <input type="checkbox"/> 18-25 <input type="checkbox"/> 26-30 <input type="checkbox"/> 31-35 <input type="checkbox"/> 36-50 <input type="checkbox"/> OVER 50</p>		
<p><u>MARITAL STATUS:</u> <input type="checkbox"/> MARRIED <input type="checkbox"/> SINGLE</p>		
<p><u>IS THIS PRODUCT USED IN THE:</u> <input type="checkbox"/> HOME <input type="checkbox"/> BUSINESS</p>		
<p><u>HOW DID YOU LEARN ABOUT THIS PRODUCT:</u> <input type="checkbox"/> ADVERTISING <input type="checkbox"/> IN STORE DEMO <input type="checkbox"/> PERSONAL DEMO <input type="checkbox"/> OTHER _____</p>		
<p>COMMENTS _____ _____ _____</p>		

