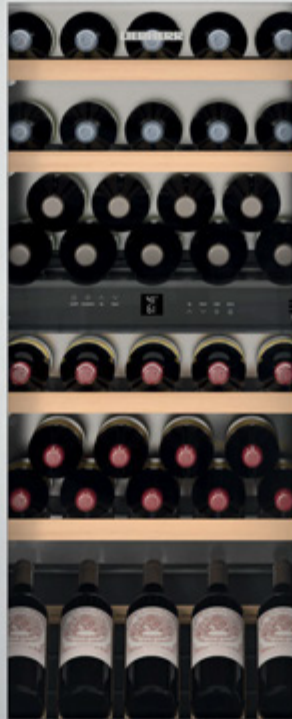


**HW 4800**

Fully Integrated Wine Cabinet



**LIEBHERR**

Quality, Design and Innovation

The fully integrated **HW 4800** multi-temperature wine cabinet is sure to compliment any kitchen, bar, or living room design. The temperature in each of the two sophisticated temperature zones can be set between 41°F and 68°F, ensuring optimal storage conditions for both red and white wines. The HW 4800 provides storage flexibility for up to 48 Bordeaux bottles thanks to its beech wood shelving and six storage areas at varying heights, for grouping of your different bottles types and sizes. A flexible clip-on labelling system ensures a clear overview of your wine collection. Alternatively, you can display your wines on the high-quality presentation shelf.

The **HW 4800** can be fully integrated to match your unique design, including Side-by-Side combinations for maximum wine storage. A stainless steel panel accessory kit is also available for when your design calls for a stainless steel look.

The **HW 4800's** activated charcoal filter provides superb air quality by removing contaminating substances from the cabinet air. The insulated glass door with UV protection and LED lighting, alongside the activated charcoal filter, protect your finest wines from busy kitchen influences such as light and damaging odors.



## Fully Integrated Wine Cabinet

### HW 4800 Vinidor

LED

Wine

Soft System

Telescopic Rails

ADA Compliant



Energy consumption (kWh/y)

Estimated Yearly Energy Cost in US \$\*

Sound rating dB(A)\*\*

Total capacity cu.ft. (l)

Max. No. of Bordeaux bottles (0.75 l)

Number of shelves

Shelves on telescopic rails

Shelf material

Presentation shelf

Electronic control

Temperature range °F (°C)

Temperature zones

Interior light

Door alarm

Safety thermostat

Activated Charcoal filter

Door type

SoftSystem

Door hinges

Product dimensions (H/W/D) in. (cm)

Cut out dimensions (H/W/D) in. (cm) \*\*\*

Net weight lbs. (kg)

Voltage V/Hz

245

–

36

5.6 (158)

48

6

4

Beech wood shelves

1

LCD temp. display for both wine zones, touch electronic

+41°F to +68°F (+5°C to +20°C)

2

LED lighting permanently on, dimmable

acoustic

yes

yes

panel ready or stainless steel panel as accessory

yes

right, reversible

48" / 21 15/16" / 21 13/16" (121.8/55.7/55.3)

48 1/16" / 22 1/16" / 21 11/16" (122/56/55)

147.7 (67.0)

115/60

\* Estimated energy cost will depend on utility rates and use. Estimated energy cost based on a national average electricity cost of 12 cents per kWh.

\*\* Noise output – according to EN 60704-3.

\*\*\* Cut out height does not include toe kick.



**German Engineering:** Our superior products offer premium quality, cutting edge design, and innovative features that best fit your lifestyle. The use of high quality materials, perfectly detailed finishes, and elite cooling components are combined with the latest production processes, resulting in an outstanding cooling product.



Soft System

**SoftSystem:** Liebherr's SoftSystem technology gently cushions the automatic door closing, preventing vibrations which can affect the quality of your finest wines.



Electronic Control

**Touch Control:** The electronic touch system allows temperatures to be set to the exact desired degree, from 41°F to 68°F. Temperatures are clearly displayed on the LCD display for accurate readings of your desired settings.



LED

**LED Ceiling Light:** The energy efficient LED ceiling light not only emits virtually no heat for the optimal storage of wines, but is dimmable for a pleasant ambient light within the cabinet, as well as a cool glow for the room.



**Beech Wood Shelving:** Liebherr wine cabinets are fitted with beech wood shelving, mounted on telescopic rails for easy and gentle access to wines. The handmade, untreated wood pullout shelves can hold a variety of bottle types.



**Presentation Shelf:** Show off your finest wines with Liebherr's presentation shelf, displaying your wines at a 45°, visible through the appliance door.



**Activated Charcoal Filter:** Optimum air quality is guaranteed in Liebherr wine cabinets thanks to the easy-to-replace FreshAir activated charcoal filter, which purifies incoming air, while filtering out damaging odors.

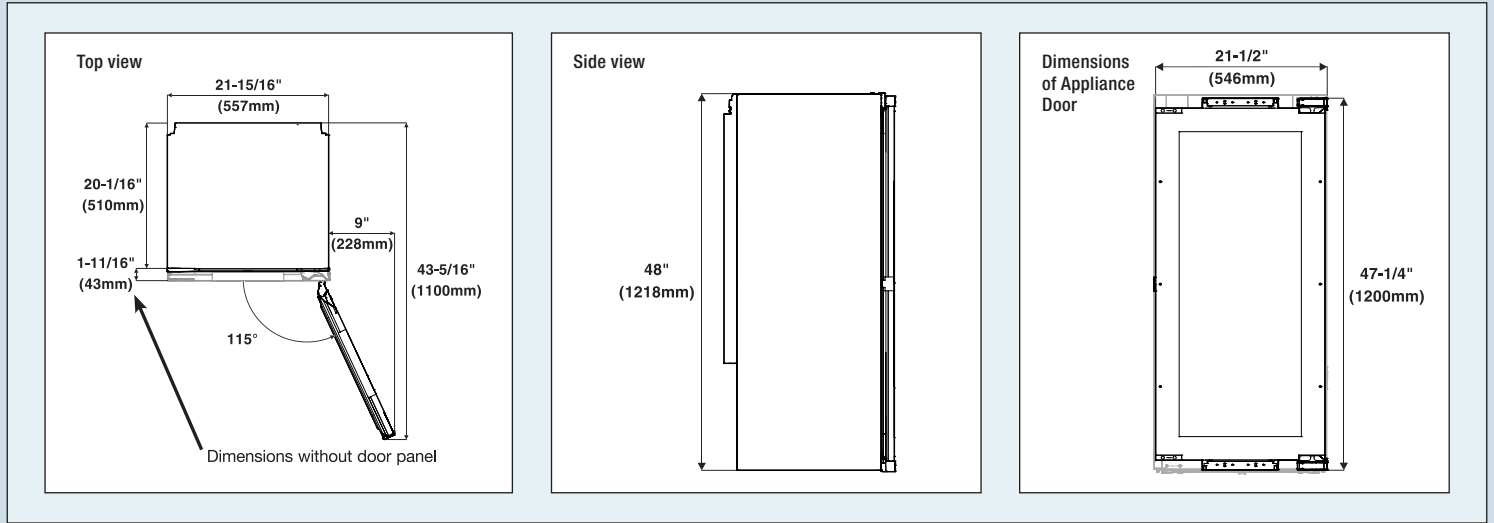


**UV Protection:** In order to minimize the exposure of light which can damage the maturity of a wine, Liebherr wine cabinets are fitted with special UV-resistant insulated glass, simultaneously protecting and presenting your finest wines.

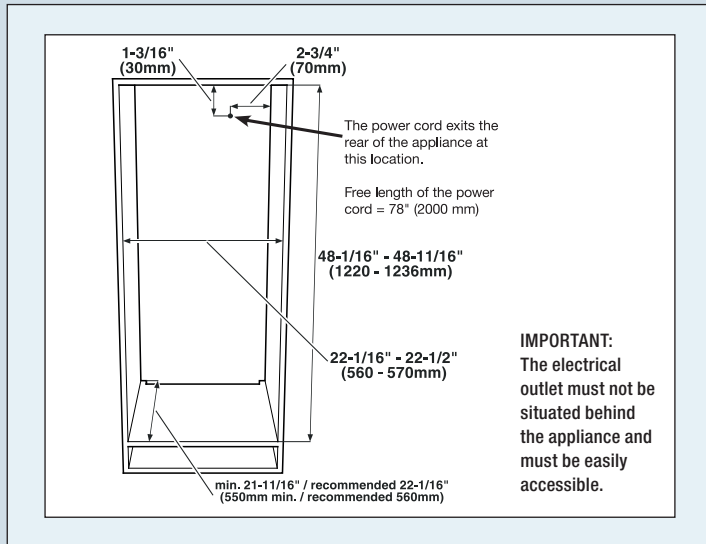


**Alarm:** Liebherr wine cabinets are equipped with a trustworthy alarm system which alerts the owner if the door has been left open, or if there are temperature changes.

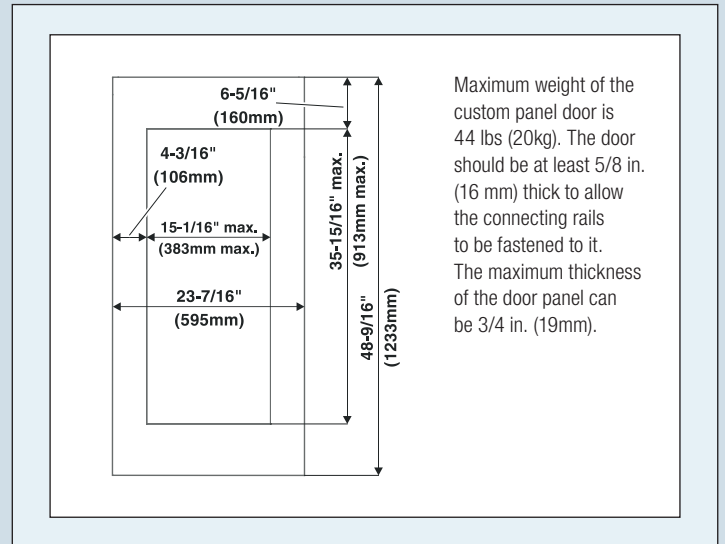
Product Dimensions



Cabinet Dimensions



Custom Panel Dimensions



Ventilation Requirements

