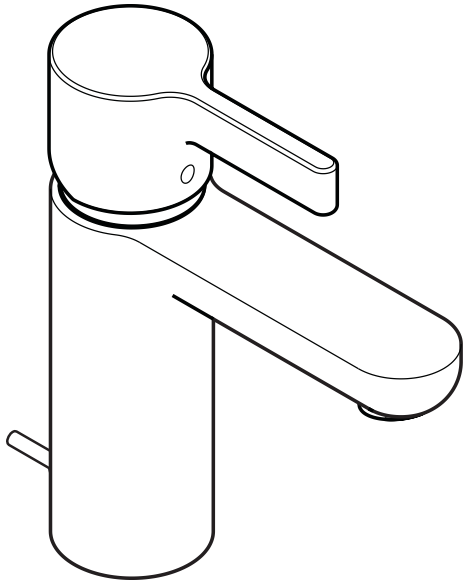


# Metris™ S Single-Hole Lavatory Mixer

31060XX1



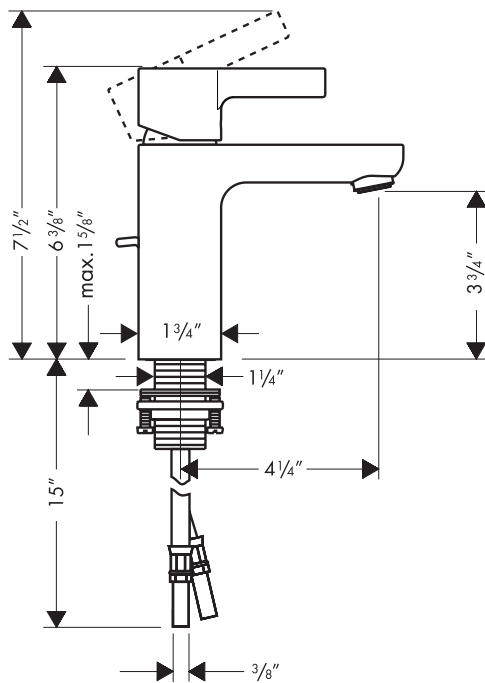
## Product Features

- Solid brass
- Single-hole mount
- Single handle with M2 ceramic cartridge
- 2.2 gpm
- Includes pop-up drain

## Code Compliance

This unit meets or exceeds the following:

- ASME A112.18.1
- CSA B125.1
- Listed by IAPMO
- ADA compliant
- Approved for use in Massachusetts



## Available Finishes

Chrome	31060001
Brushed Nickel	31060821

## Installation Notes

- 3/8" supply hoses - requires 3/8" compression fittings

## Optional Accessories

6" baseplate	06490XX0
--------------	----------

The measurements shown are for reference only.

Products and specifications shown are subject to change without notice.

Specification sheet revised 2/2008

**hansgrohe**