

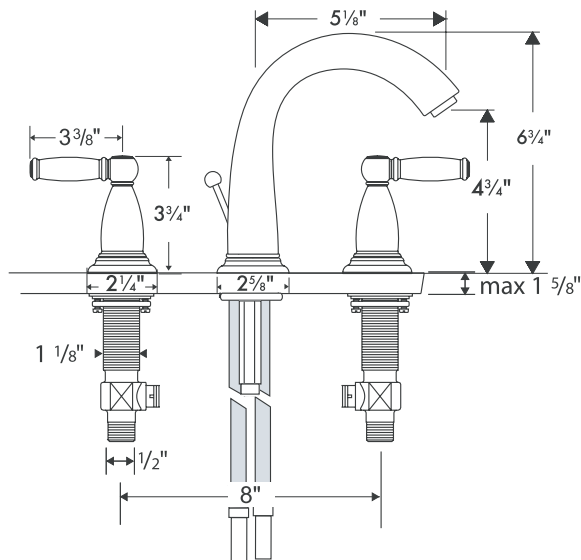
Product Features

- Lever handles
- Solid brass
- 90° Ceramic cartridges
- Flexible connection hoses accommodate a variety of installations
- Cascade no-clog aerator
- 2.2 gpm max.
- Includes pop-up drain

Code Compliance

This unit meets or exceeds the following:

- ASME A112.18.1
- CSA B125.1
- Listed by IAPMO
- Approved for use in Massachusetts
- ADA compliant



Available Finishes

Chrome	06117000
Oil Rubbed Bronze	06117620
Brushed Nickel	06117820
Polished Nickel	06117830

Installation Notes

- Requires 1/2" supply lines
- Hole sizes in mounting surface: valves 1 1/4", spout 1 3/8"
- Max. mounting surface thickness: 1 5/8"

The measurements shown are for reference only.

Products and specifications shown are subject to change without notice.

Specification sheet revised 11/2007