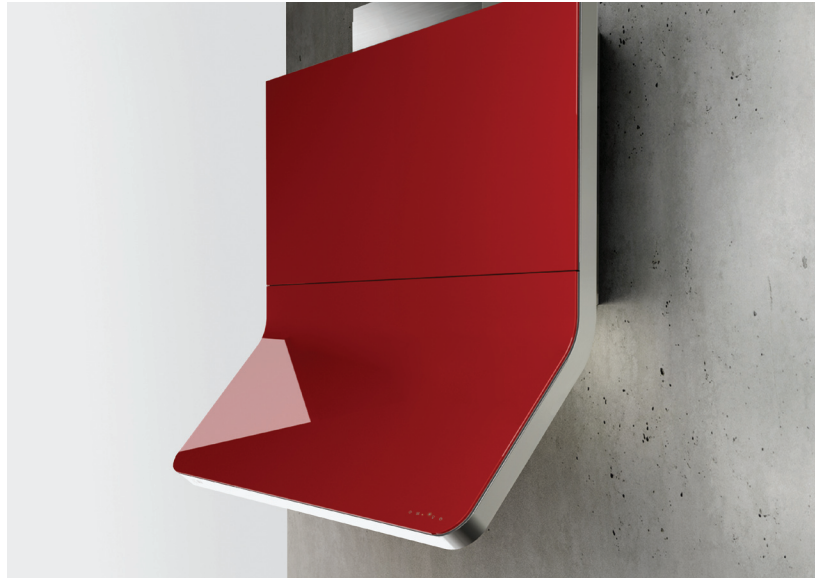


## HORIZON

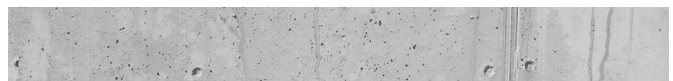
A dramatic, low-profile freefall just inches from the kitchen wall sweeps upward in a thirty-degree lift. So begins Robert Brunner's new-minimalist range hood, in striking red, black or white glass on stainless steel. The glass surface may be etched in one of our patterns—a leaf motif on white glass, or flower on black glass. The removable front panel doubles as easy blower access for cleaning or service with no heavy lifting. A duo of halogens completes the picture.



	SIZE	NET WIDTH	COLOR
<b>AHZ-M90ABX</b>	36"	35 3/8"	Stainless Steel/Black Glass
<b>AHZ-M90ARX</b>	36"	35 3/8"	Stainless Steel/Red Glass
<b>AHZ-M90AWX</b>	36"	35 3/8"	Stainless Steel/White Glass



RF Remote Control



# ARC COLLECTION

## HORIZON WALL

### MODEL

AHZ-M90ABX	36"
AHZ-M90ARX	36"
AHZ-M90AWX	36"

### FEATURES

Controls	Memory Touch Glass
Speed Levels	3
Auto Delay-Off	Yes
CleanAir Function	Yes
Remote Control	Yes, RF
Lighting	Halogen, 20W x 2
Tri-Level Lighting	Yes
Filters	Decorative Mesh x 3
Recirculating	Yes
Duct Cover Extension	Yes

### \*PERFORMANCE

Internal Blower - CBI-290A	290 CFM, 3.2 Sones Max.
Internal Blower - CBI-600A	600 CFM, 6 Sones Max.
In-Line Blower - PBN-1000A	1000 CFM, Sones NA
External Blower - CBE-1000	1000 CFM, Sones NA

### AC INPUT

120V - 60Hz

### \*\*AC POWER

Hood Only Max. 40W, 0.33 Amps

### MOUNTING HEIGHTS

Height from the cooking surface Min. 22" - Max. 34"

### HOOD HEIGHTS

Standard (No Cover) 32 7/8"

### Short Kit - Z1C-00HZ

Minimum 35 7/8"  
Maximum 44 7/8"

### Long Kit - Z1C-01HZ

Minimum 44 7/8"  
Maximum 57 7/8"

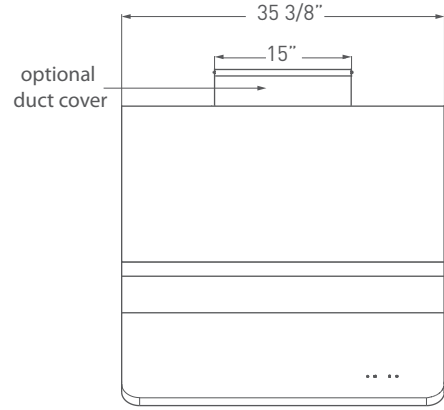
### DUCT SPECIFICATIONS

Vertical - Internal	6"
Horizontal - Internal	6"
Vertical/Horizontal - In-Line/External	10" to 8"***

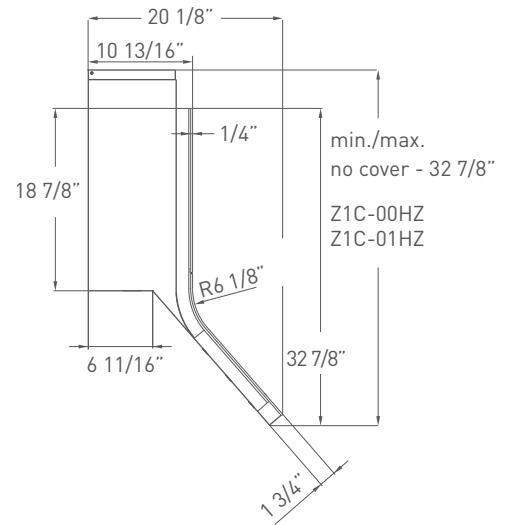
### OPTIONAL ACCESSORIES

Recirculating Kit	ZRC-00HZ
Duct Cover Extension Kit, Short (8'-9' ceiling)	Z1C-00HZ
Duct Cover Extension Kit, Long (9'-10' ceiling)	Z1C-01HZ
Black Glass, Flower Pattern	AHG-00BL
White Glass, Leaf Pattern	AHG-00WH

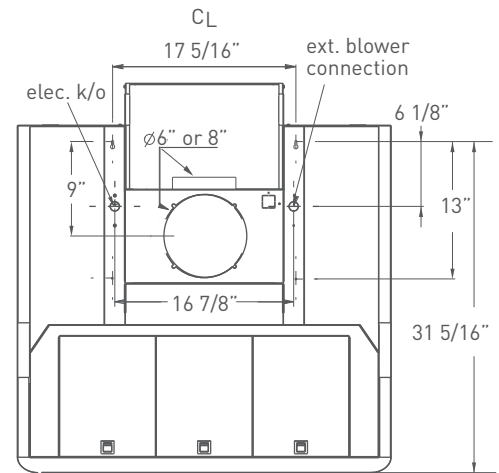
\*Requires purchase of Zephyr blower, sold separately. \*\*AC power listed above is for hood with lights only. See blower specs on our website for more AC power details. \*\*\*10" round duct connects to external and in-line blower. Must transition from 10" to 8" before duct passes through ceiling. A 10" to 8" adapter is included with the external and in-line blowers.



Front



Side



Back