

# 20ACH 6032

<b>Heating Capacity</b>	<b>BTU/Hr. @ ARI 70°F – 60° At 60% Relative Humidity</b>	<b>53,445</b>	
<b>Cooling Capacity</b>	BTU/Hr. @ ARI 80°F – 67° At 52% Relative Humidity	60,000	
<b>Dimensions</b>	Width (Inches)	28	
	Depth (Inches)	39	
	Height (Inches)	53	
	Weight (Pounds)	470	
	Shipping Weight	520	
<b>Electrical Characteristics</b>	Power Supply (Volts)	208/230/60/3 Phase	
	Power Consumption (Kilowatts)	5.9 Cooling/6.2 Heating	
	Current Consumption (Amperes)	22 Cooling/25.6 Heating	
	Fuse Size (Amperes)	40	
	NEMA Plug Configuration	L15-30P	
	Min-max Voltage	197-253 Volt	
	Power Cord Gauge	10AWG (4 Core)	
<b>Compressor Characteristics</b>	Compressor Type	Hermetic Scroll	
	R 22 Charge (Ounces)	77	
	Operating Conditions: Min-max °F	55°-105°F, 50% RH	
<b>Fan Characteristics</b>	<b>Evaporator:</b>		
	Fan Type 6 Speed	Reverse Curved	
	Air Flow (CFM) High/Low	2000/1600	
	Max. External Static Pressure (Inches Of Water Gauge)	0.50	
	<b>Condenser:</b>		
	Fan Type	Reverse Curved	
	Air Flow (CFM)	3000	
	Max. External Static Pressure (Inches Of Water Gauge)	0.50	
	<b>Safety Devices</b>	Compressor Overload Relay	Yes
		Fan Motor Protection	Yes
Anti-freeze Thermostat		No	
Automatic Tank Shut-off (Adj. Level)		N/A	
Condensate Tank Capacity (Gallons)		Built In Pump	
High-pressure Switch		Yes	
Compressor Short-cycle Protection		Yes	
Fan Mode Switch		Yes	
Manual/Automatic Restart		Yes	
Thermostat	Digital		
<b>Miscellaneous Features</b>	Operating Cost (Approximate/Hr.)	\$0.62	
	Humidity Removed @ 60% RH (Gal/Hr.)	4.1	
	Accommodates Condensate Pump	Built In Pump	
	Sound Level (Db) High/Low	66/64	
	Max Evaporator Ducting Length*(Ft.)	80	
	Max Condenser Ducting Length*(Ft.)	80	

\*Subtract 10 Ft. For Every 90° Bend

**800.367.8675 • www.spot-coolers.com**

Copyright © 2004 Spot Coolers, Inc. All rights reserved.

# 20ACH 6032

**Power Supply** 208/230 volts 60 hertz 3 phase 25.6 amperes

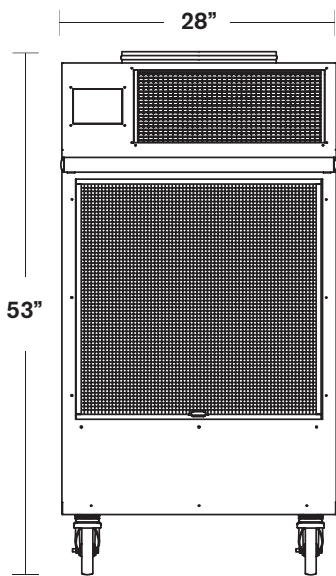
**Width** 28 inches

**Depth** 39 inches

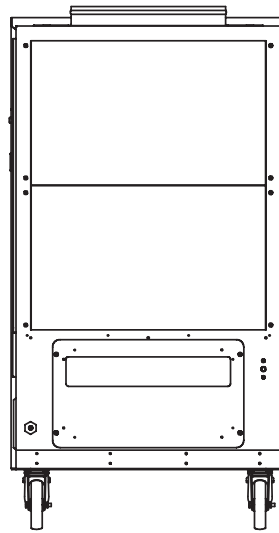
**Height** 53 inches

**Weight** (net/shipping) lbs 470/520

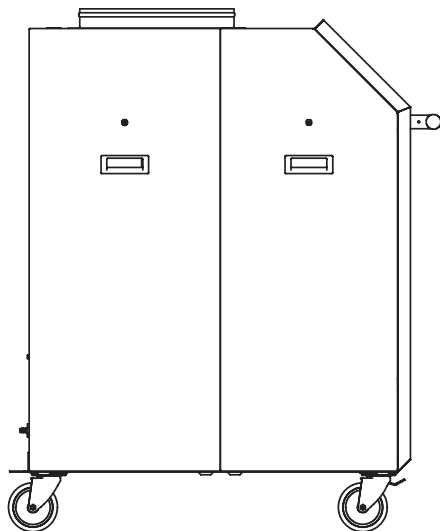
All models are backed by a 12-month warranty with 60 months for the compressor.



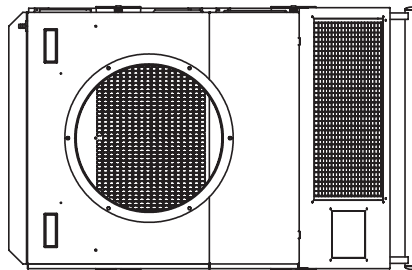
FRONT



BACK



SIDE



TOP

SPOT COOLERS

800.367.8675 • [www.spot-coolers.com](http://www.spot-coolers.com)

Copyright © 2004 Spot Coolers, Inc. All rights reserved.