

ContourLine 24" Convection Oven

H 6560 BP



ContourLine 24" Convection Oven H 6560 BP



Features:

- SensorTronic controls: 5-line TFT display with laterally positioned sensor controls that clearly present menu content.
- NEW: Self clean oven
- Over 35% larger cavity than Generation 4000
- 17 Operating Modes
- Favorites - up to 20 recipes
- MasterChef menu offers over 100 food types to cook to perfection
- Roast probe for perfect roasting results
- Rapid PreHeat
- CleanGlass Door
- Timer
- ComfortSwivel handle moves with the motion of your wrist, creating a more ergonomic feel when opening and closing the oven door

SPECIFICATIONS

H 6560 B— Item 22656052USA

Overall Unit Width - Excluding Fascia Dimension	21 ³ / ₄ " (553 mm)
Overall Height - Excluding Fascia Dimension	22 ¹¹ / ₁₆ " (577 mm)
Overall Depth- Excluding Fascia Dimension	21 ¹ / ₂ " (546 mm)
Oven Door Clearance	17 ¹³ / ₁₆ " (451 mm)
Overall Fascia Dimensions	23 ⁷ / ₁₆ " (595 mm) W x 23 ⁷ / ₁₆ " (596 mm) H x 7 ⁷ / ₈ " (22 mm) D

Built-In

Minimum Cabinet Opening Width	22 ¹ / ₁₆ " (561 mm)
Minimum Cabinet Opening Depth	21 ⁵ / ₈ " (550 mm)
Minimum Cabinet Opening Height	23 ³ / ₈ " (593 mm)
Minimum Base Support	100 lbs
Additional Cut-outs Required	Cut-out (4" x 22" / 100 mm x 560 mm) in the bottom of the cabinet for powercord and ventilation

Electrical

Electrical Requirements	120/208V, 20A, 60Hz 120/240V, 20A, 60Hz
Power Cord	NEMA 14-30 plug, 6 ft (1.8 m)
Electrical Rating	5400w (120/240V) 4200w (120/208V)
Total Amps	17.5A (240V) / 15.4A (208V)

Shipping

Shipping Weight	109 lbs (49 kg)
Shipping Dimensions	26 ³ / ₈ " W x 29 ⁵ / ₁₆ " H x 27 ³ / ₁₆ " L

Support

Call Miele	800.843.7231
Miele Website	www.mieleusa.com
20/20 Link	2020technologies.com

ContourLine 24" Convection Oven H 6560 BP



HANDLE SPECIFICATIONS

<p>Comfort Handle: Optional with ContourLine (DS 6708 Item #09828380)</p>	<p>ComfortSwivel Handle: Standard with ContourLine Optional for PureLine (DS 6718 Item # 09828390)</p>
--	---

<p>Silhouette Handle: Standard with Pureline Optional for Contourline (DS 6808 Item # 09828400)</p>	
--	--

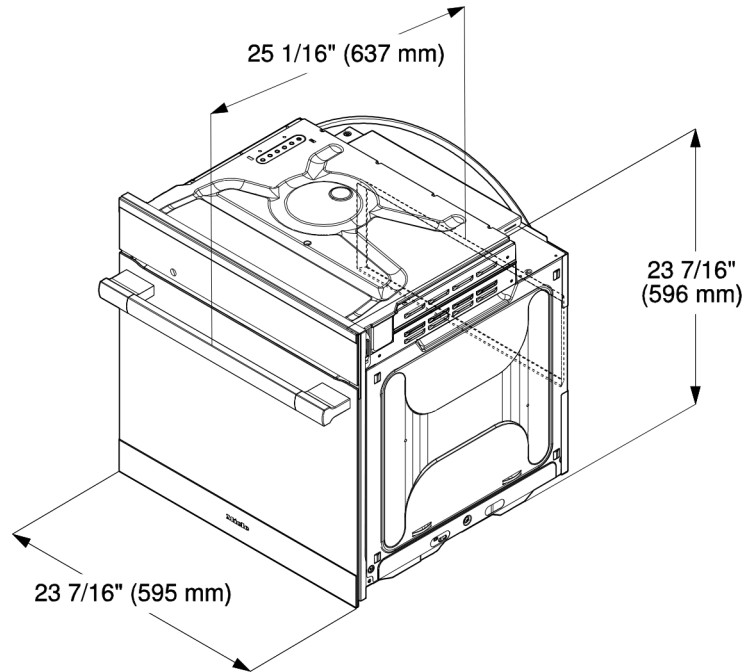
<p>Silhouette Handle (Chrome): Standard with BrilliantWhite (DS 6808 Item # 09828410)</p>	<p>Silhouette Handle: Standard with Truffle Brown (DS 6808 Item # 09870690)</p>
--	--

ContourLine 24" Convection Oven H 6560 BP

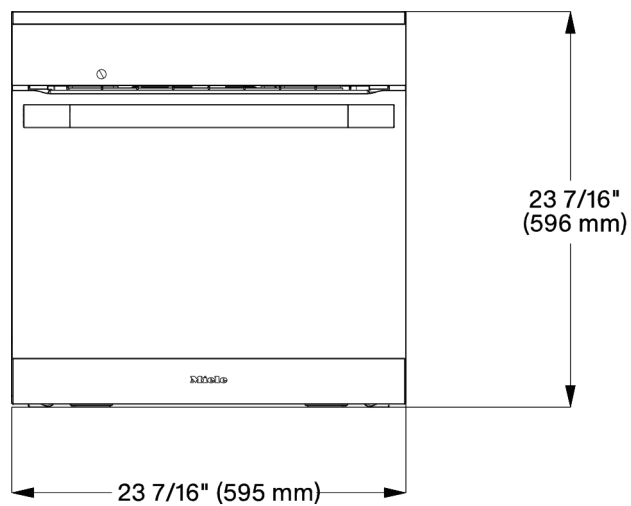


PRODUCT VIEWS

Isometric View



Front View

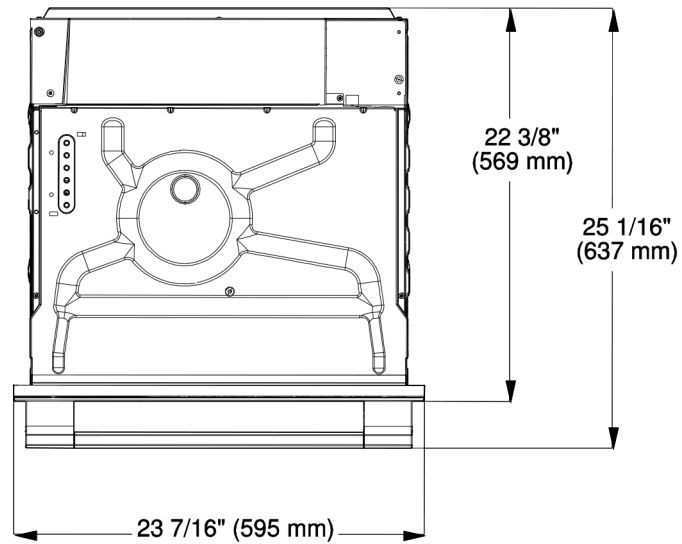


ContourLine 24" Convection Oven H 6560 BP

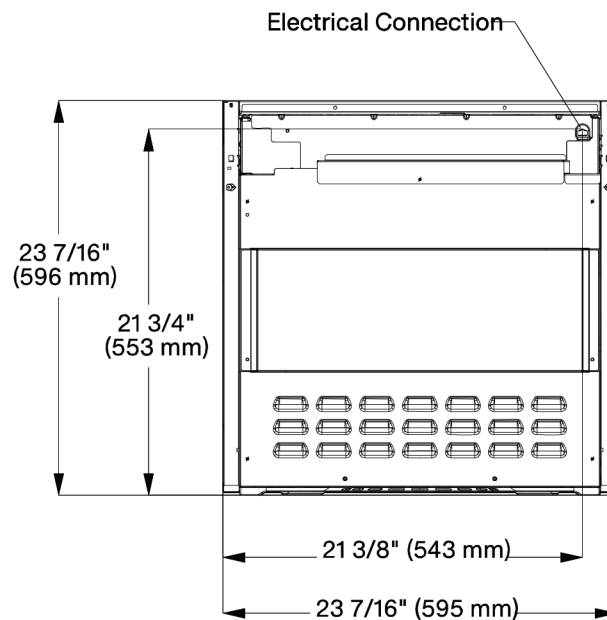


PRODUCT VIEWS

Top View



Rear View

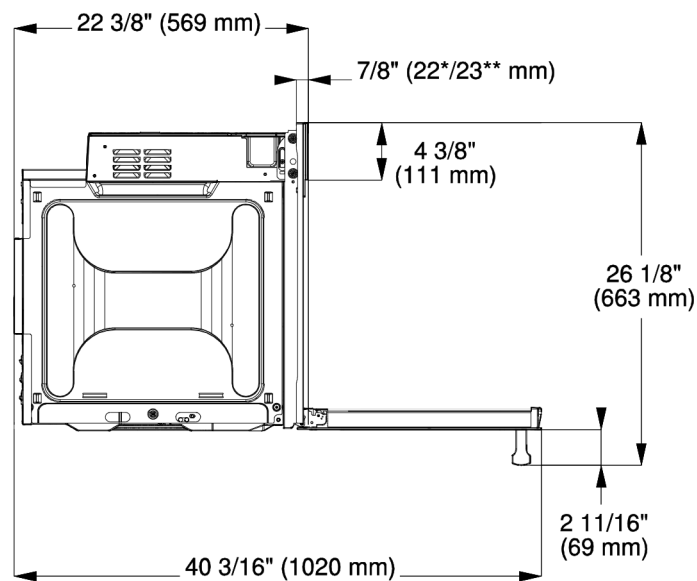


ContourLine 24" Convection Oven H 6560 BP



PRODUCT VIEWS

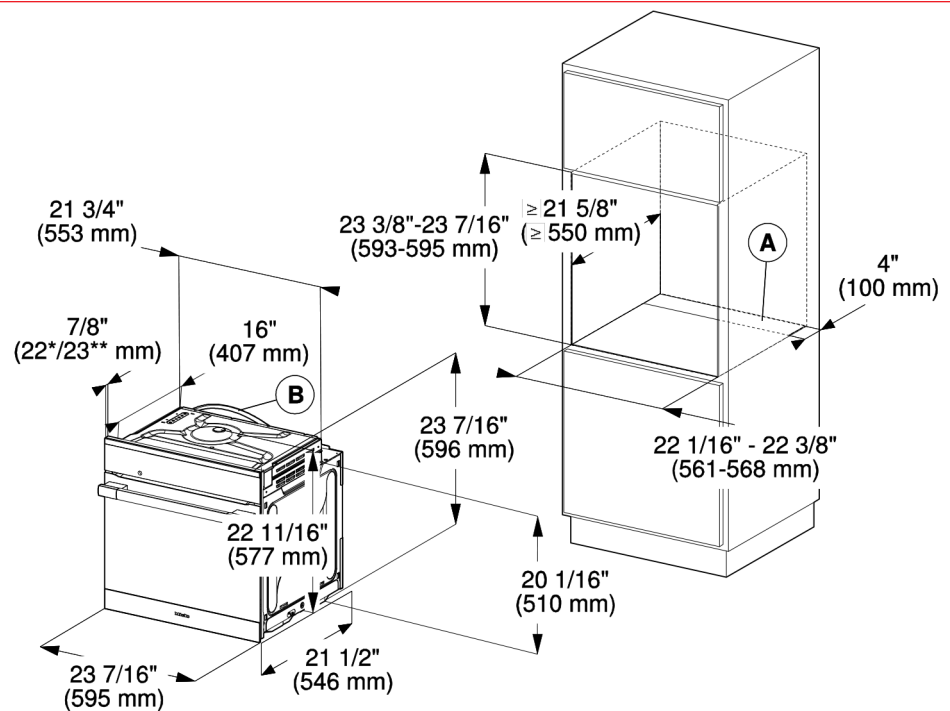
Side View



* Oven with glass front
** Oven with metal front

INSTALLATION SPECIFICATIONS

Install in Tall Niche



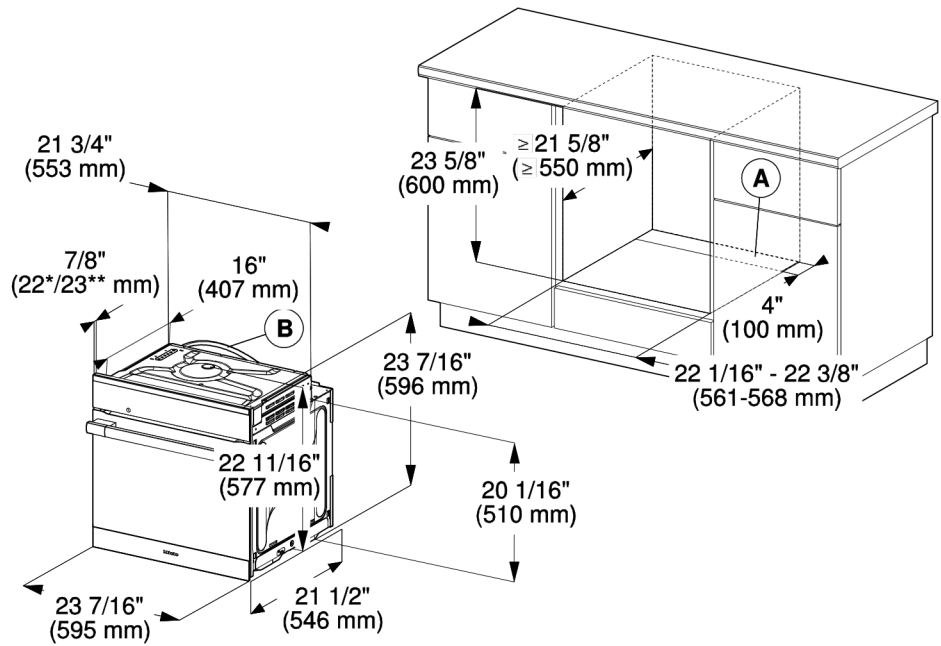
- Ⓐ Cut-out (4" x 22" / 100 mm x 560 mm) in the bottom of the cabinet for power cord and ventilation
- Ⓑ Power cord with plug
- * Oven with glass front
- ** Oven with metal front

ContourLine 24" Convection Oven H 6560 BP



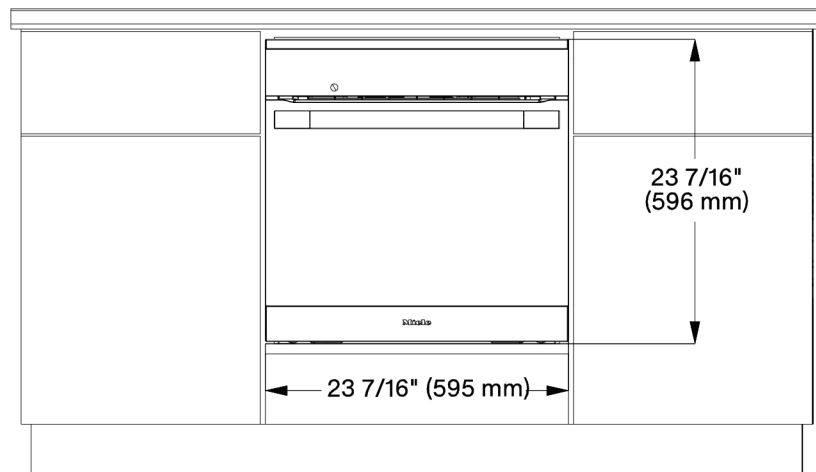
INSTALLATION SPECIFICATIONS

Undercounter Installation



- Ⓐ Cut-out (4" x 22" / 100 mm x 560 mm) in the bottom of the cabinet for power cord and ventilation
- Ⓑ Power cord with plug
- * Oven with glass front
- ** Oven with metal front

Undercounter Installation Front view

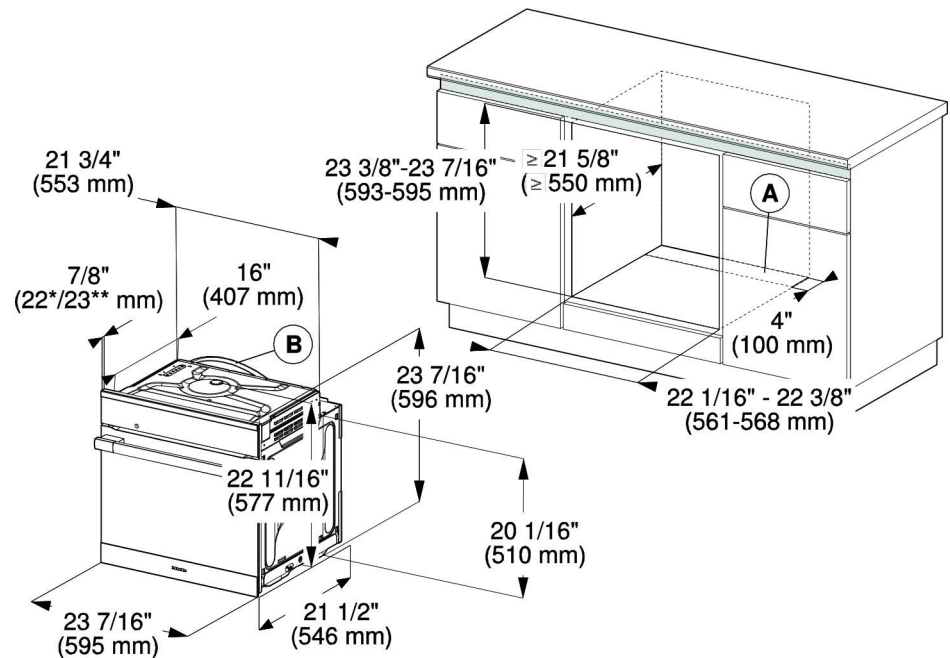


ContourLine 24" Convection Oven H 6560 BP



INSTALLATION SPECIFICATIONS

Undercounter with Framed
Cabinetry Installation



- Ⓐ Cut-out (4" x 22" / 100 mm x 560 mm) in the bottom of the cabinet for power cord and ventilation
- Ⓑ Power cord with plug
- * Oven with glass front
- ** Oven with metal front

70cm Trim Kit

EBA 6767

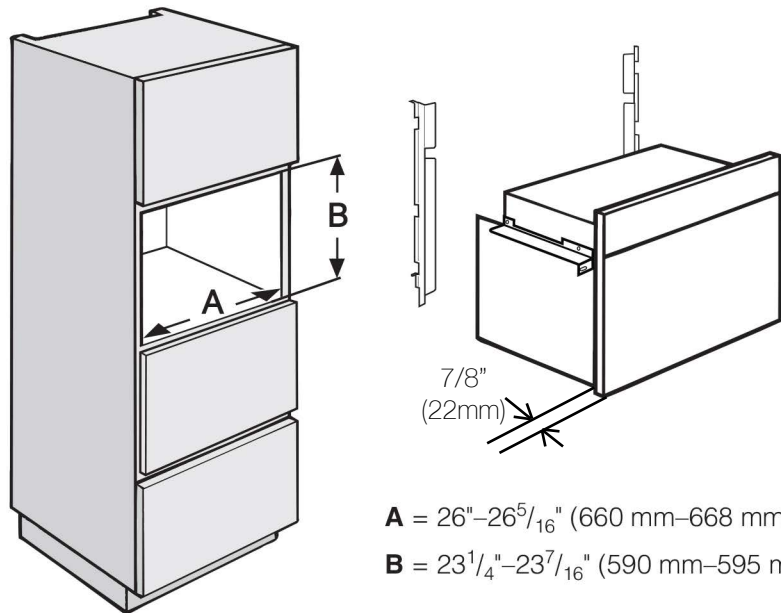


70cm Trim Kit EBA 6767



INSTALLATION SPECIFICATIONS

Installation In Tall Niche



INSTALLATION SPECIFICATIONS

Installation above 70cm Oven

