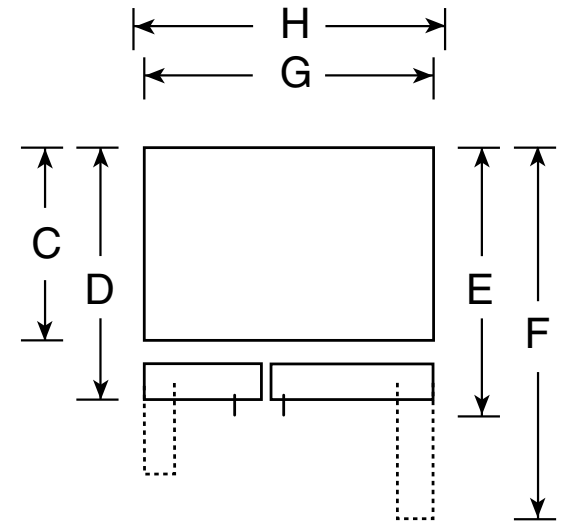
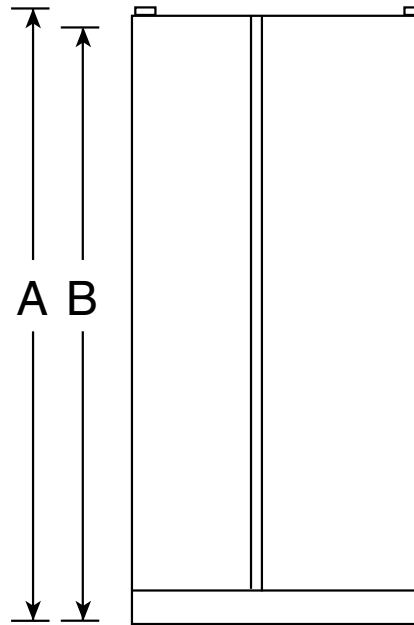


# GSE25ETH

## GE® ENERGY STAR® 24.7 Cu. Ft. Side-By-Side Refrigerator with Dispenser

### Dimensions and Installation Information (in inches)

Overall Dimensions	Height to top of hinge (in.) <b>A</b>	69-3/4
	Height to top of case (in.) <b>B</b>	68-3/4
	Case depth without door (in.) <b>C</b>	28
	Case depth less door handle (in.) <b>D</b>	31-1/4
	Case depth with door handle (in.) <b>E</b>	33-5/8
	Depth with fresh food door open 90° (in.) <b>F</b>	49-3/8
	Width (in.) <b>G</b>	35-3/4
	Width with door open 90° inc. door handle (in.) <b>H</b>	38-1/4
Air	Each side (in.)	1/8
	Top (in.)	1
	Back (in.)	2



For answers to your Monogram®, Café™ Series, Profile™ Series or GE® appliance questions, visit our website at [geappliances.com](http://geappliances.com) or call GE Answer Center® service, 800.626.2000.



imagination at work



Listed by  
Underwriters  
Laboratories



As an ENERGY STAR® partner, GE has determined that this product meets the ENERGY STAR guidelines for energy efficiency.

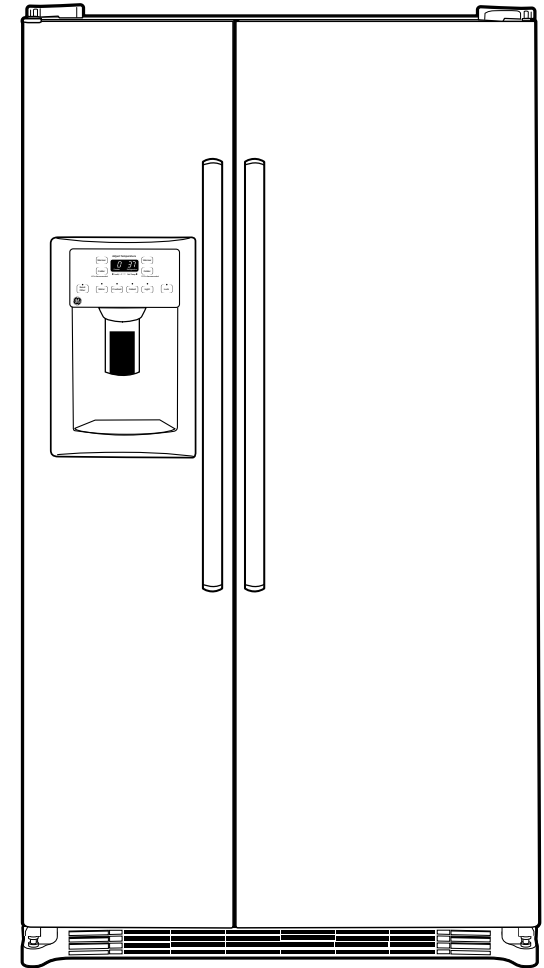
Specification Created 7/14

# GSE25ETH

## GE® ENERGY STAR® 24.7 Cu. Ft. Side-By-Side Refrigerator with Dispenser

### Features and Benefits

- 35-3/4" wide
- Adjustable slide-out, spillproof glass shelves - Raised edges help contain spills, holding up to 12 ounces of liquid, to make cleanup quick and easy
- Snack drawer - Conveniently stores favorite foods and allows for quick, easy access
- Adjustable-humidity drawers - Controls helps food stay fresh
- Adjustable-temperature drawer - Helps keep your favorite food items cold and ready to eat
- Adjustable gallon door bins - Offers ideal space for storing gallon containers in the door
- Advanced filtration - Removes trace pharmaceuticals from water and ice\* and uses replacement filter MWF  
(\*Removes ibuprofen, atenolol, fluoxetine, progesterone and trimethoprim. These pharmaceuticals are not necessarily in all users' water)
- Model GSE25ETHWW - White
- Model GSE25ETHCC - Bisque
- Model GSE25ETHBB - Black



imagination at work



As an ENERGY STAR® partner, GE has determined that this product meets the ENERGY STAR guidelines for energy efficiency.

Specification Created 7/14