

GFW450SSK/SPK

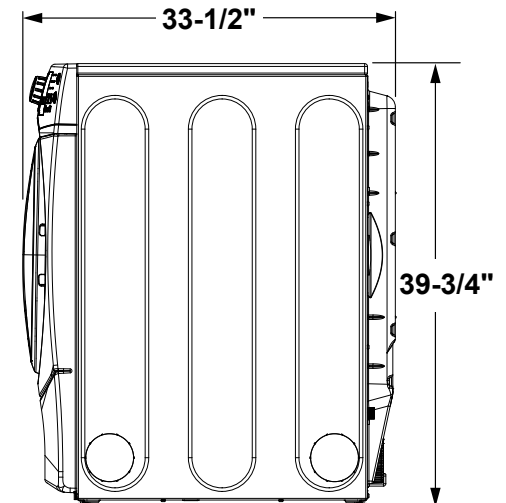
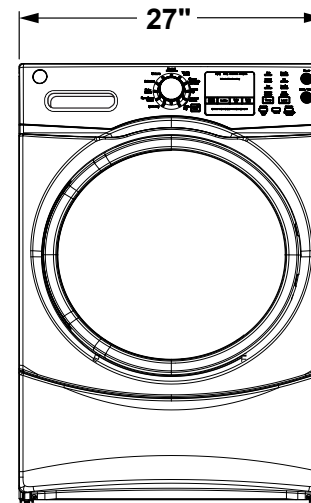
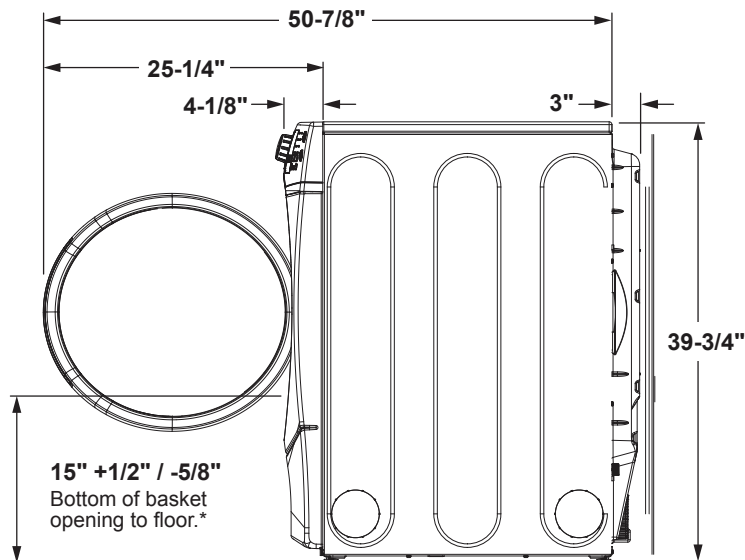
GE Appliances ENERGY STAR® 4.5 DOE Cu. Ft. Capacity
Frontload Washer with steam

DIMENSIONS AND INSTALLATION INFORMATION (IN INCHES)

ELECTRIC RATING

120V	12.0A, 60Hz
------	-------------

INSTALLATION INFORMATION: For complete information, see installation instructions packed with your washer.



For answers to your Monogram, GE Café™ Series, GE Profile™ Series or GE Appliances product questions, visit our website at geappliances.com or call GE Answer Center® Service, 800.626.2000.



Specification Created 4/16

GEFW450SSK/SPK

GE Appliances ENERGY STAR® 4.5 DOE Cu. Ft. Capacity

Frontload Washer with steam

SPECIAL INSTALLATION REQUIREMENTS:

STACKED INSTALLATION:

-Brackets for stacking dryer over washer are not included with the washer.
Order part no. GEFLSTACK or part no. WE25X10018.

ALCOVE OR CLOSET INSTALLATION:

- If your dryer is approved for installation in an alcove or closet, it will be stated on a label on the dryer back.
- The dryer **MUST** be exhausted to the outside.
- Minimum clearances between dryer cabinet and adjacent walls or other surfaces are: 0" either side, 3" front and rear
- Minimum vertical space from floor to overhead cabinets, ceilings, etc. is 52".
- Closet doors must be louvered or otherwise ventilated and must contain a minimum of 60 sq. in. of open area equally distributed. If this closet contains both a washer and a dryer, doors must contain a minimum of 120 sq. in. of open area equally distributed.
- No other fuel-burning appliance shall be installed in the same closet with a gas dryer.

BATHROOM OR BEDROOM INSTALLATION:

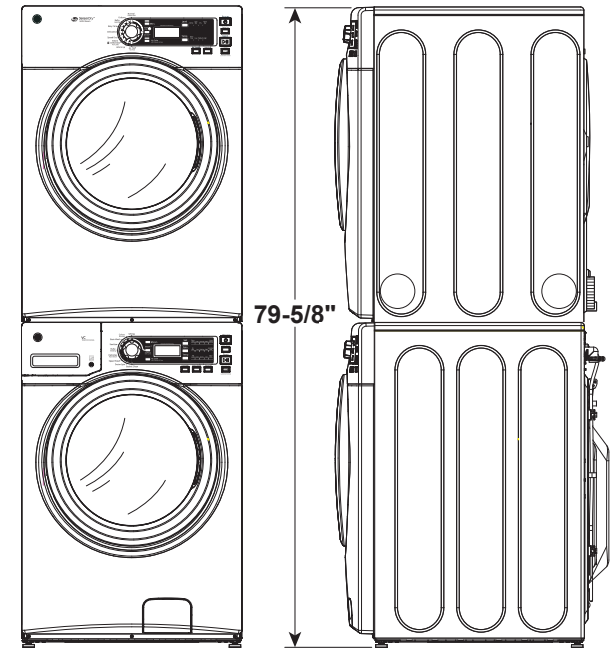
- The dryer **MUST** be exhausted to the outdoors.
- The installation must conform with the local codes, or in the absence of local codes, with the National Electric Code and National Fuel Gas Code, ANSI Z223.

MINIMUM CLEARANCE OTHER THAN ALCOVE OR CLOSET INSTALLATIONS:

- Minimum clearances to combustible surfaces 0" both sides, 3" rear.

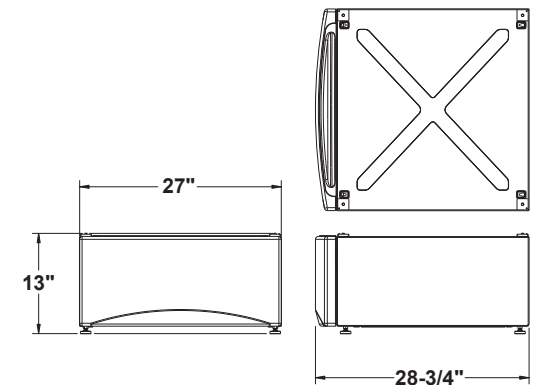
FOR MORE INFORMATION ON VENTING KITS AND ACCESSORIES, PLEASE CALL 1-800-GE-CARES.

STACKED DIMENSIONS (IN INCHES)



PEDESTAL DIMENSIONS (IN INCHES) SBSD137HWW - WHITE

This optional 13" pedestal raises the door opening and height of the washer or dryer. Feet on 13" pedestal allow it to adjust to 13-3/8" height.



For answers to your Monogram, GE Café™ Series, GE Profile™ Series or GE Appliances product questions, visit our website at geappliances.com or call GE Answer Center® Service, 800.626.2000.

GE Appliances ENERGY STAR® 4.5 DOE Cu. Ft. Capacity Frontload Washer with steam

GE Appliances ENERGY STAR® 4.5 DOE Cu. Ft. Capacity Frontload Washer with steam

FEATURES AND BENEFITS

Time Saver - An option that will reduce overall wash time on most cycles by at least 20% without sacrificing wash performance

Internal water heater - Increases wash temperature to reduce bacteria and provide better cleaning for the really tough stains

Steam - Penetrates deep into fabric fibers, loosening stains like tomato and grass, yet protects your fabrics

Quick Wash - Provides a quick wash for lightly soiled items that are needed in a hurry

Stain Removal Guide - Clean 5 of the most common stains with preprogrammed settings that modify any cycle to help remove blood, tomato, wine, dirt and grass

Tumble Care - Freshly tumbles your garments periodically for up to 8 hours when unable to move clothing to the dryer right away

1300 RPM spin speed - Fast spin speeds remove water efficiently and minimize dry time

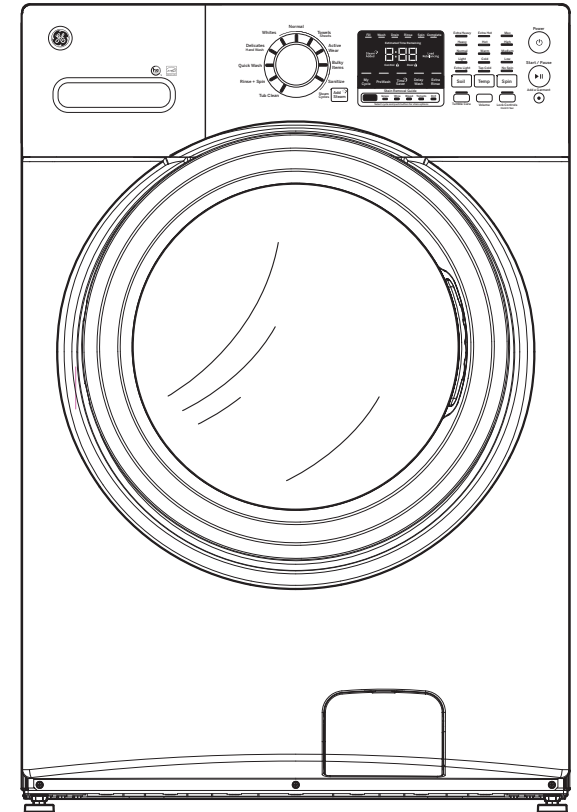
Sanitize cycle - Feel comfort knowing clothes are sanitized* and 99.9% of bacteria has been removed thanks to an internal water heater that boosts the water temperature* Certified by NSF Protocol P172 Sanitation Performance of Residential Clothes Washers

My Cycle - Create your favorite cycles for your specific clothes-care needs

10 wash cycles - Multiple cycles are designed to specifically handle various fabrics and soils

Model GFW450SSKWW - White

Model GFW450SPKDG - Diamond Gray



For answers to your Monogram, GE Café™ Series, GE Profile™ Series or GE Appliances product questions, visit our website at geappliances.com or call GE Answer Center® Service, 800.626.2000.

