

# JVC3300J

## GE® Series Custom Hood Insert

### DIMENSIONS AND INSTALLATION INFORMATION (IN INCHES)

#### INSTALLATION INFORMATION:

Before installing, consult Use & Care/installation instructions packed with product for current dimensional data.

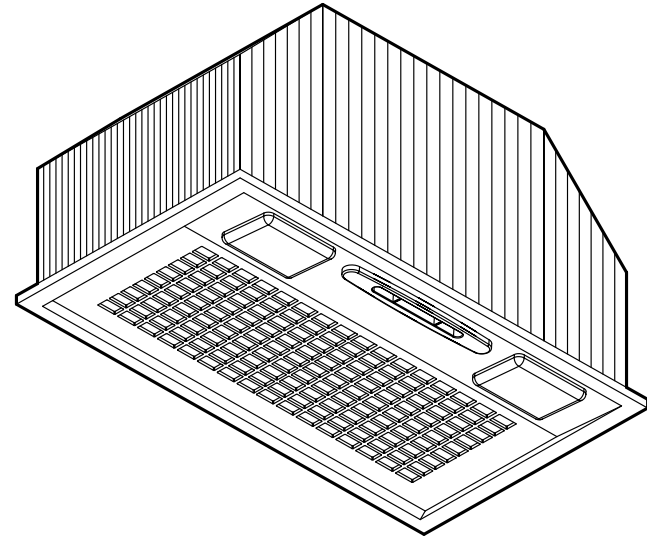
#### OPTIONAL ACCESSORIES

JXN30-Recirculating Kit

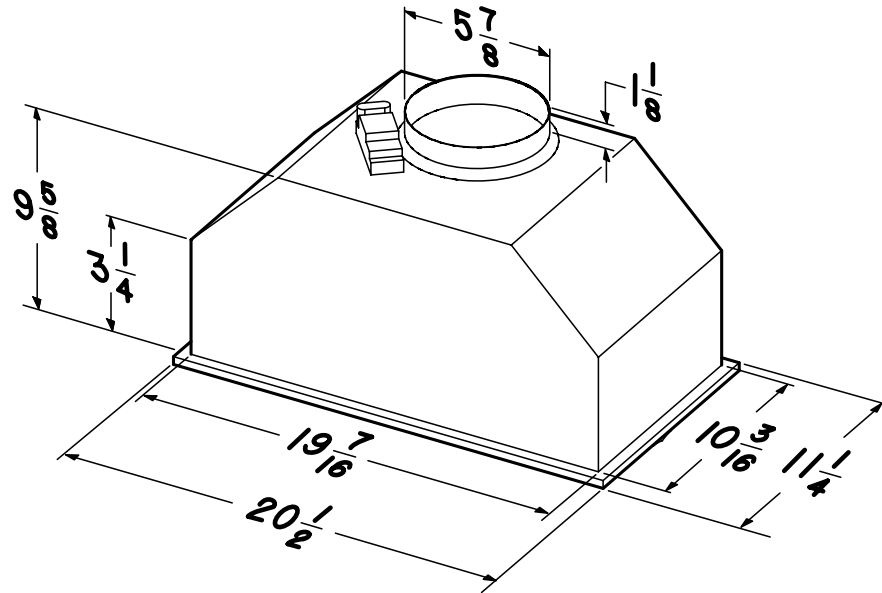
JXCF30-Charcoal Filter Replacement

JXL30-30" Custom Liner

JXL36-36" Custom Liner



| AMP RATING |     |
|------------|-----|
| 120V       | 2.9 |



GE APPLIANCES

For answers to your Monogram®, GE Profile™ Series or GE® Series appliance questions, visit our website at [geappliances.com](http://geappliances.com) or call GE Answer Center® service, 800.626.2000.

Specification Revised 9/15

# JVC3300J

## *GE® Series Custom Hood Insert*

### **FEATURES AND BENEFITS**

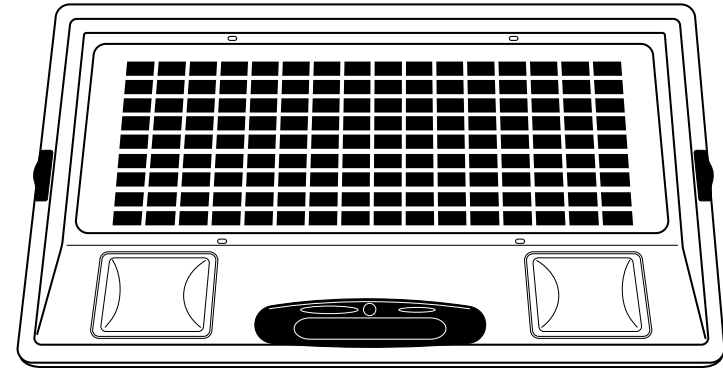
390-CFM venting system – Helps effectively remove smoke, grease, odors and moisture

Three-speed fan control – Sliding control is easy-to-use

Dual incandescent lighting – Illuminates the cooktop surface

Optional recirculating kit (JXN30) – Allows the hood to be used in non-ducted application

Model JVC300JSA – Silver



**GE APPLIANCES**