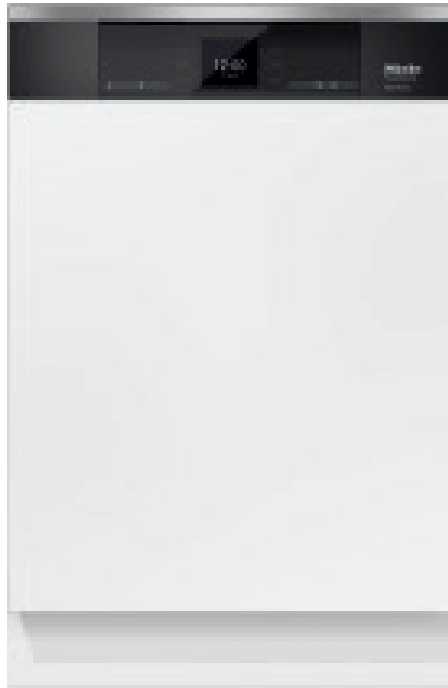


Futura Diamond Dishwasher G 6915 SCi CLST



Features:

- 3D cutlery tray
- FlexiCare Deluxe basket design
- AutoSensor technology
- 14 wash programs
- 7 program options
- *ExtraQuiet* program
- AutoOpen drying
- Perfect GlassCare system
- SensorDry
- *Extra Dry* option
- *Intensive* option
- FlexiTimer
- Water softening unit
- 42 dBa
- 16 place settings



FlexiCare Deluxe basket design



3D cutlery tray



Intensive option

Quiet & Clean Guarantee
MADE IN GERMANY



MODEL OVERVIEW

Width: 24"

Color: Intergrated, CleanTouch Steel™ control panel, requires custom panel

Item Numbers:
21691557USA

EAN Numbers:
4002515546529

Dimensions:
23⁹/₁₆"W, 33¹¹/₁₆" - 36¹/₄"H, 22⁷/₁₆"D

Pricing:

MODEL	UMRP/MAP	RETAIL
G 6915 SCi CLST - Futura Diamond	\$2299	\$2399

Futura Series

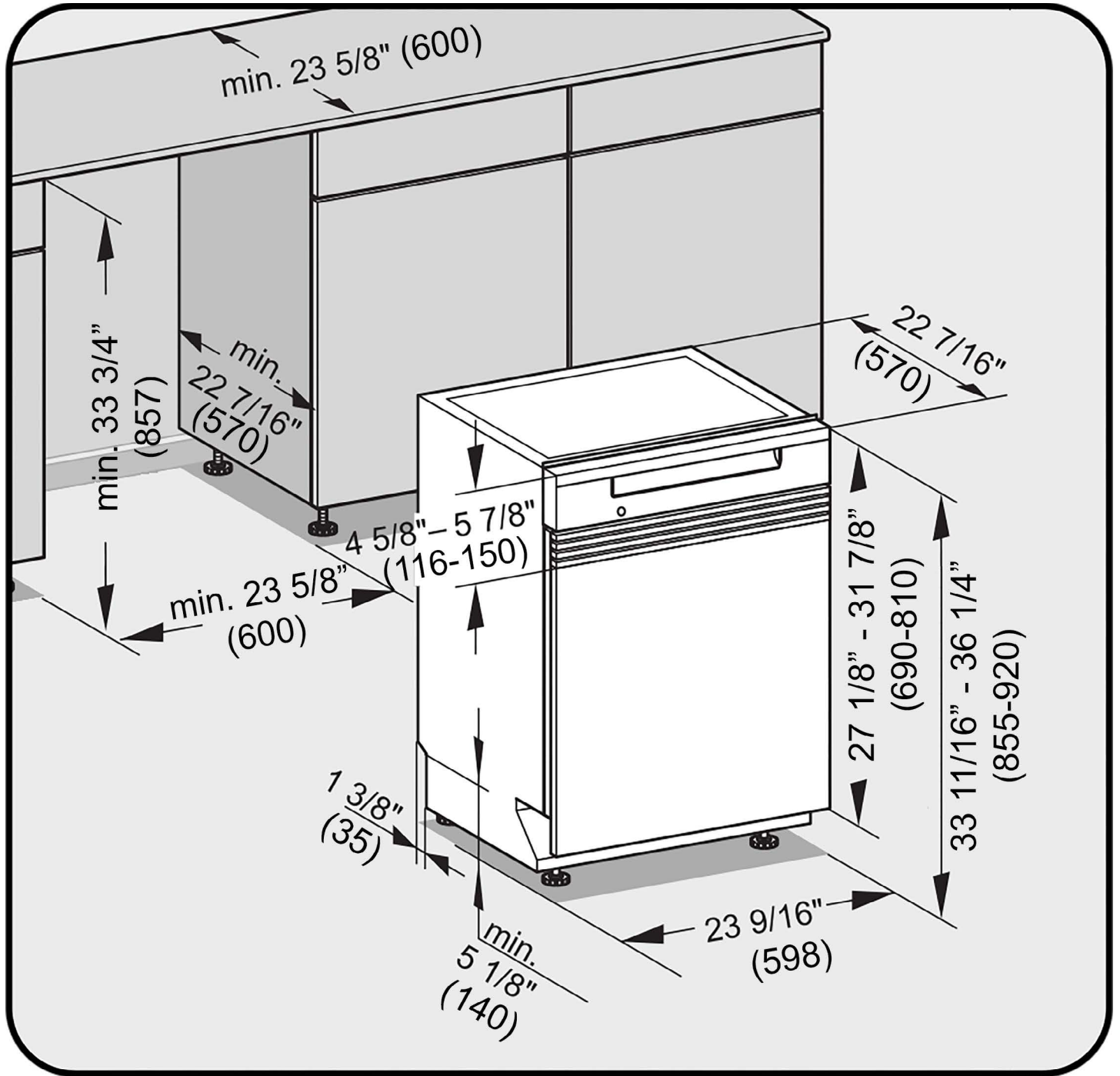
Integrated Dishwashers

LUMEN G 6505 SCi
DIAMOND G 6915 SCi



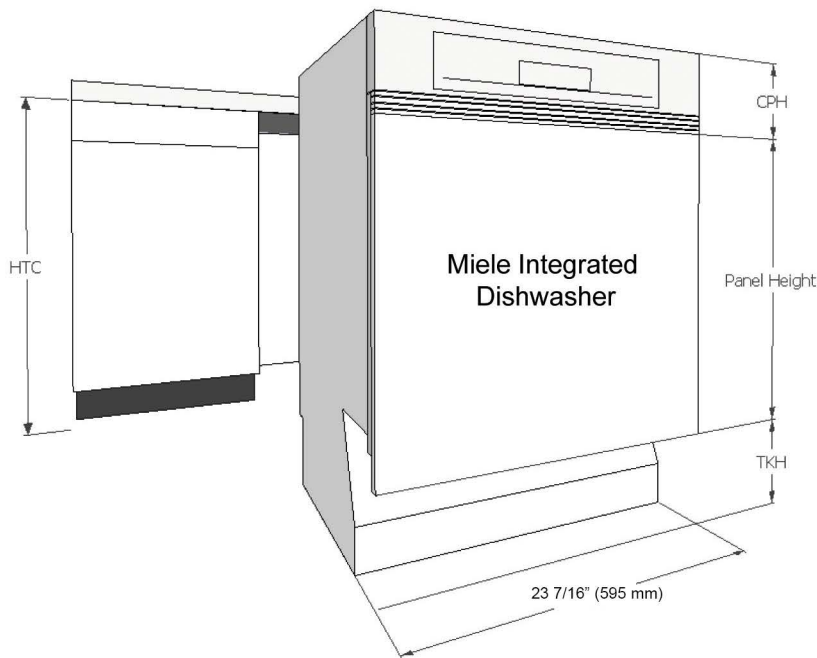
SPECIFICATIONS	
Overall Unit Width	23 ⁹ / ₁₆ " (598mm)
Overall Unit Height	33 ¹¹ / ₁₆ " - 36 ¹ / ₄ " (855 - 920mm)
Overall Unit Depth	22 ⁷ / ₁₆ " (570mm)
Niche	
Minimum Cabinet Opening Width	23 ⁵ / ₈ " (600mm)
Minimum Cabinet Opening Height	33 ³ / ₄ " (857mm)
Minimum Cabinet Opening Depth	22 ⁷ / ₁₆ " (570mm)
Plumbing	
Water Supply Requirements	May be connected to a cold or hot water supply up to a maximum of 140°F/60°C. Must be connected to a shut-off valve with a male 3/8" NPT. The water shut-off valve must be accessible after installation. The water pressure must be between 4.35 psi (0.3 bar) and may not exceed 145 psi (10 bar). If the pressure is higher than 145 psi (10 bar), a pressure reducing valve must be installed.
Water Connection Line	4' 11" (1.5m) flexible water intake hose is supplied with a 3/8 NPT connection.
Drain Hose	4' 11" (1.5m) flexible drain hose is supplied.
Electrical	
Electrical Requirements - Volts/Amps	110V / 120V, 60Hz, 15 Amps
Power Cord - Plug and length	Yes - NEMA 5-15 plug, 5' 6" (1.7m), Convertible to Hardwire
Shipping	
Shipping Weight	118 lbs (53.5kg)
Support	
Call Miele	800.843.7231
Miele Website	www.mieleusa.com
20/20 Link	2020technologies.com

INSTALLATION SPECIFICATIONS



Custom Panel Installation

Some Miele dishwashers do not come equipped with a front panel. These dishwashers are designed to accept a custom door panel supplied by a cabinet maker. Miele has a unique panel integration system which allows the dishwasher to align with the surrounding cabinets.



Width: 23 7/16" (595 mm) in all Cases
Thickness: 3/4" (19 mm) in all Cases
Height: Determined using the following calculation:

$$\text{Panel Height} = \text{HTC} - \text{CPH} - \text{TKH}$$

HTC = Height to the underside of countertop

CPH = Control panel height

TKH = Toe kick height

Note: Control panel height is determined by the height of the adjoining drawers in the cabinets. The height is adjustable between 4 5/8" and 5 7/8" (116 - 150 mm) with spacer strips provided.

Maximum panel height: 27 1/4" (692 mm)

Minimum panel height: 21 1/4" (540 mm)

Maximum panel weight: 23 lbs (10.4 kg)

GFVI Installations

Miele offers pre-fabricated stainless steel panels for all integrated units. These panels are designed for various toe-kick heights and offer a choice of handel options. See Miele Product Brochure for more info.

		Height to underside of countertop										
		33 3/4	34	34 1/4	34 1/2	34 3/4	35	35 1/4	35 1/2	35 3/4	36	
Toe Kick Height	2 1/2	Acceptable combinations	Acceptable combinations	Acceptable combinations	Acceptable combinations	Acceptable combinations						
	3	Acceptable combinations	Acceptable combinations	Acceptable combinations	Acceptable combinations	Acceptable combinations	Acceptable combinations	Acceptable combinations	Acceptable combinations			
	3 1/2	Acceptable combinations	Acceptable combinations	Acceptable combinations	Acceptable combinations	Acceptable combinations	Acceptable combinations	Acceptable combinations	Acceptable combinations	Acceptable combinations	Acceptable combinations	
	4	Acceptable combinations	Acceptable combinations	Acceptable combinations	Typical American installation	Acceptable combinations	Acceptable combinations	Acceptable combinations	Acceptable combinations	Acceptable combinations	Acceptable combinations	
	4 1/2	Acceptable combinations	Acceptable combinations	Acceptable combinations	Acceptable combinations	Acceptable combinations	Acceptable combinations	Acceptable combinations	Acceptable combinations	Acceptable combinations	Acceptable combinations	
	5	Acceptable combinations	Acceptable combinations	Acceptable combinations	Acceptable combinations	Acceptable combinations	Acceptable combinations	Acceptable combinations	Acceptable combinations	Acceptable combinations	Acceptable combinations	
	5 1/2	Acceptable combinations	Acceptable combinations	Acceptable combinations	Acceptable combinations	Acceptable combinations	Acceptable combinations	Acceptable combinations	Acceptable combinations	Acceptable combinations	Acceptable combinations	
	6	Acceptable combinations	Acceptable combinations	Acceptable combinations	Acceptable combinations	Acceptable combinations	Acceptable combinations	Acceptable combinations	Acceptable combinations	Acceptable combinations	Acceptable combinations	
	6 1/2	Acceptable combinations	Acceptable combinations	Acceptable combinations	Acceptable combinations	Acceptable combinations	Acceptable combinations	Acceptable combinations	Acceptable combinations	Acceptable combinations	Acceptable combinations	
	7			Acceptable combinations	Acceptable combinations	Acceptable combinations	Acceptable combinations	Acceptable combinations	Acceptable combinations	Acceptable combinations	Acceptable combinations	
	7 1/2						Acceptable combinations	Acceptable combinations	Acceptable combinations	Acceptable combinations	Acceptable combinations	
	8									Acceptable combinations	Acceptable combinations	
	8 1/2											
				Acceptable combinations								
				Typical American installation								