

Futura Series

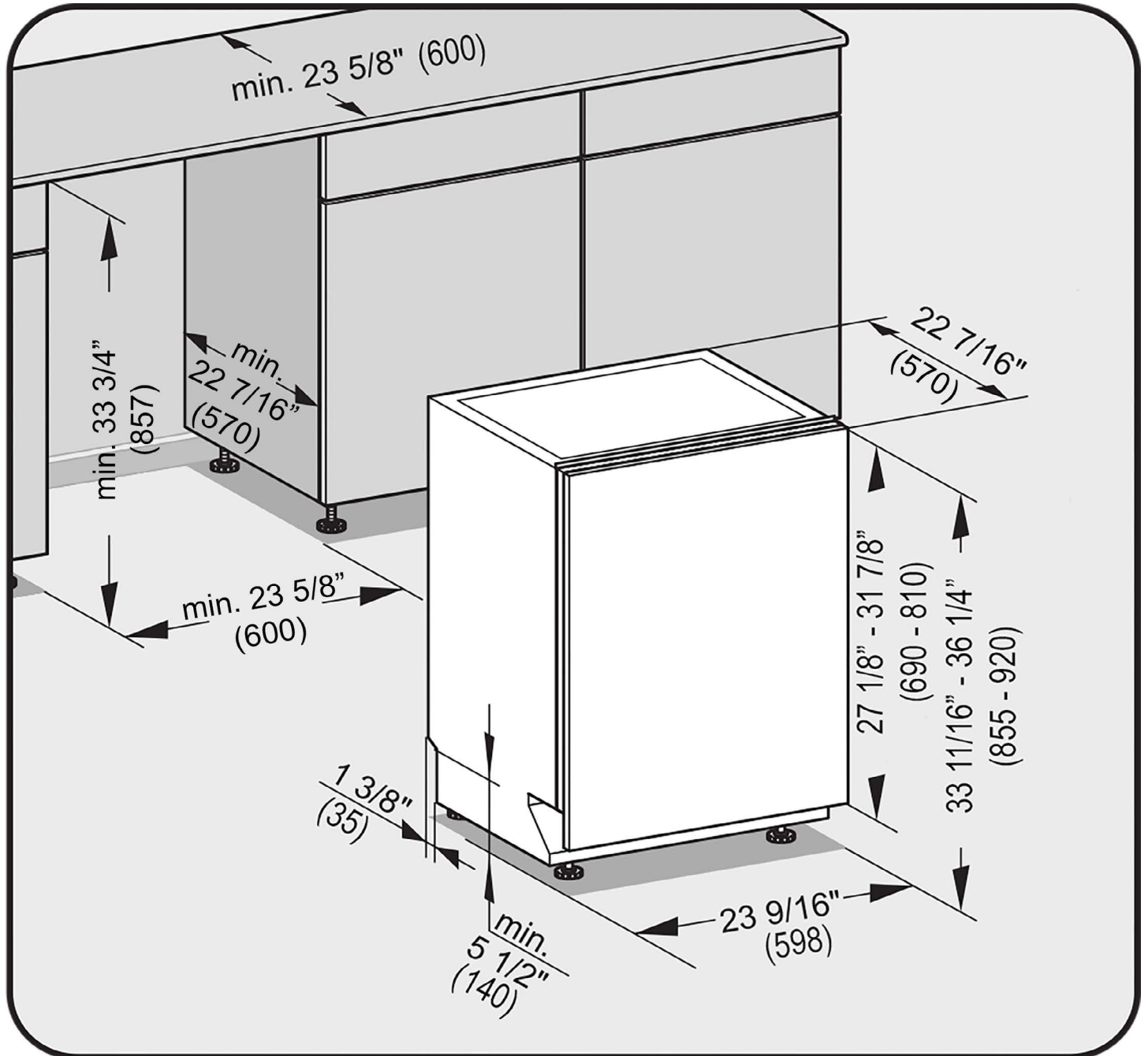
Fully Integrated Dishwashers

| | |
|--------------|---|
| CLASSIC PLUS | G 4975 Vi, G 4975 Vi SF, G 4975 SCVi, G4975 SCVi SF |
| CRYSTAL | G 6165 SCVi, G 6165 SCVi SF |
| DIMENSION | G 6365 SCVi, G 6365 SCVi SF |
| LUMEN | G 6565 SCVi, G 6565 SCVi SF, G 6595 SCVi K2o |
| DIAMOND | G 6985 SCVi K2o |



| SPECIFICATIONS | |
|--------------------------------------|--|
| Overall Unit Width | 23 ⁹ / ₁₆ " (598mm) |
| Overall Unit Height | 33 ¹¹ / ₁₆ " - 36 ¹ / ₄ " (855 - 920mm) |
| Overall Unit Depth | 22 ⁷ / ₁₆ " (570mm) |
| Niche | |
| Minimum Cabinet Opening Width | 23 ⁵ / ₈ " (600mm) |
| Minimum Cabinet Opening Height | 33 ³ / ₄ " (857mm) |
| Minimum Cabinet Opening Depth | 22 ⁷ / ₁₆ " (570mm) |
| Plumbing | |
| Water Supply Requirements | May be connected to a cold or hot water supply up to a maximum of 140°F/60°C. Must be connected to a shut-off valve with a male 3/8" NPT. The water shut-off valve must be accessible after installation. The water pressure must be between 4.35 psi (0.3 bar) and may not exceed 145 psi (10 bar). If the pressure is higher than 145 psi (10 bar), a pressure reducing valve must be installed. |
| Water Connection Line | 4' 11" (1.5m) flexible water intake hose is supplied with a 3/8 NPT connection. |
| Drain Hose | 4' 11" (1.5m) flexible drain hose is supplied. |
| Electrical | |
| Electrical Requirements - Volts/Amps | 110V / 120V, 60Hz, 15 Amps |
| Power Cord - Plug and length | Yes - NEMA 5-15 plug, 5' 6" (1.7m), Convertible to Hardwire |
| Shipping | |
| Shipping Weight | 118 lbs (53.5kg) |
| Support | |
| Call Miele | 800.843.7231 |
| Miele Website | www.mieleusa.com |
| 20/20 Link | 2020technologies.com |

INSTALLATION SPECIFICATIONS



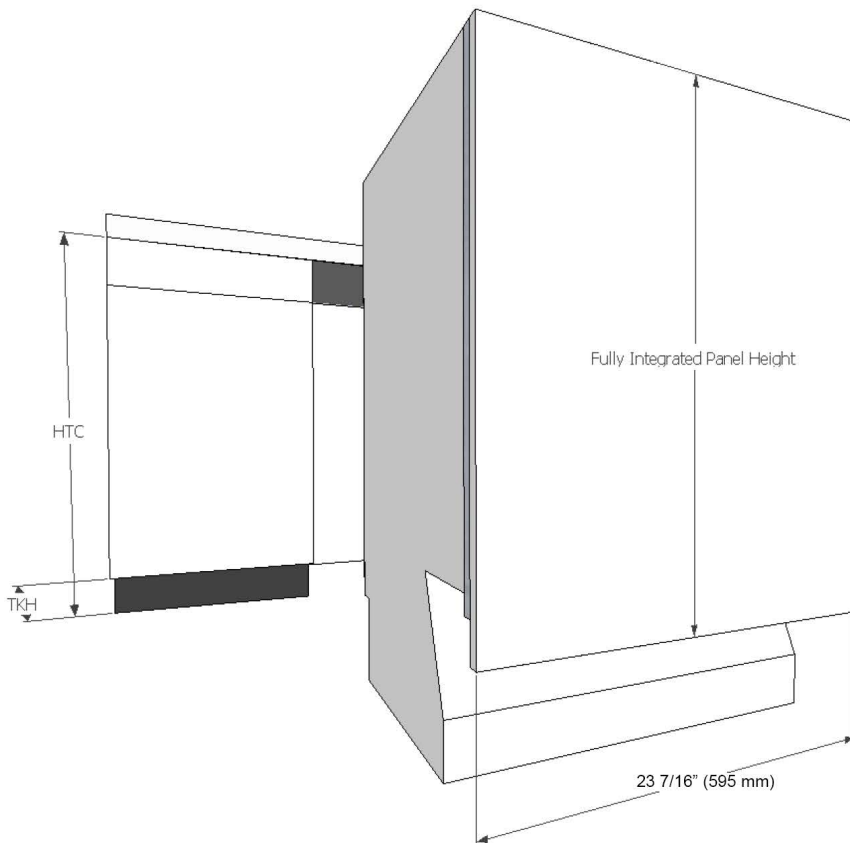
Futura Series

Fully Integrated Dishwashers



Custom Panel Installation

Some Miele dishwashers do not come equipped with a front panel. These dishwashers are designed to accept a custom door panel supplied by a cabinet maker. Miele has a unique panel integration system which allows the dishwasher to align with the surrounding cabinets.



Width: 23 7/16" (595 mm) in all Cases
Thickness: 3/4" (19 mm) in all Cases
Height: Determined using the following calculation:

$$\text{Panel Height} = \text{HTC} - \text{TKH}$$

HTC = Height to the underside of countertop
TKH = Toe kick height

Note: Control panel is along the top edge of the unit. It is not visible when the unit is closed. A handle **MUST** be located on front of panel in order to open unit. (Except K2o models).

Maximum panel height: 31 7/8" (810 mm)

Minimum panel height: 27 1/8" (690 mm)

Maximum panel weight: 21 lbs (9.5 kg)

GFVI Installations

Miele offers pre-fabricated stainless steel panels for all fully integrated units. These panels are designed for various toe-kick heights and offer a choice of handel options. See Miele Product Brochure for more info.

Futura Lumen Dishwasher G 6565 SCVi SF



Features:

- 3D cutlery tray
- FlexiCare Deluxe basket design
- AutoSensor technology
- 11 wash programs
- 5 program options
- *ExtraQuiet* program
- AutoOpen drying
- Perfect GlassCare system
- SensorDry
- *Extra Dry* option
- *Intensive* option
- FlexiTimer
- Water softening unit
- 44 dBa
- 16 place settings



FlexiCare Deluxe basket design



3D cutlery tray



Intensive option

Quiet & Clean Guarantee

MADE IN GERMANY



MODEL OVERVIEW

Width: 24"

Color: Fully integrated, CleanTouch Steel™ panel

Item Numbers:
21656563USA

EAN Numbers:
4002515546505

Dimensions:
23⁹/₁₆"W, 33¹¹/₁₆" - 36¹/₄"H, 22⁷/₁₆"D

Pricing:

| MODEL | UMRP/MAP | RETAIL |
|-------------------------------|----------|--------|
| G 6565 SCVi SF - Futura Lumen | \$1799 | \$1899 |

Futura Lumen Dishwasher G 6565 SCVi



Features:

- 3D cutlery tray
- FlexiCare Deluxe basket design
- AutoSensor technology
- 11 wash programs
- 5 program options
- *ExtraQuiet* program
- AutoOpen drying
- Perfect GlassCare system
- SensorDry
- *Extra Dry* option
- *Intensive* option
- FlexiTimer
- Water softening unit
- 44 dBa
- 16 place settings



FlexiCare Deluxe basket design



3D cutlery tray



Intensive option

Quiet & Clean Guarantee

MADE IN GERMANY



MODEL OVERVIEW

Width: 24"

Color: Fully integrated, custom panel ready

Item Numbers:
21656562USA

EAN Numbers:
4002515546482

Dimensions:
23⁹/₁₆"W, 33¹¹/₁₆" - 36¹/₄"H, 22⁷/₁₆"D

Pricing:

| MODEL | UMRP/MAP | RETAIL |
|----------------------------|----------|--------|
| G 6565 SCVi - Futura Lumen | \$1699 | \$1799 |