

Futura Series

Fully Integrated Dishwashers

CLASSIC G 4281 SCVi
DIMENSION G 5670 SCVi



ADA
COMPLIANT

Futura Series Dishwashers

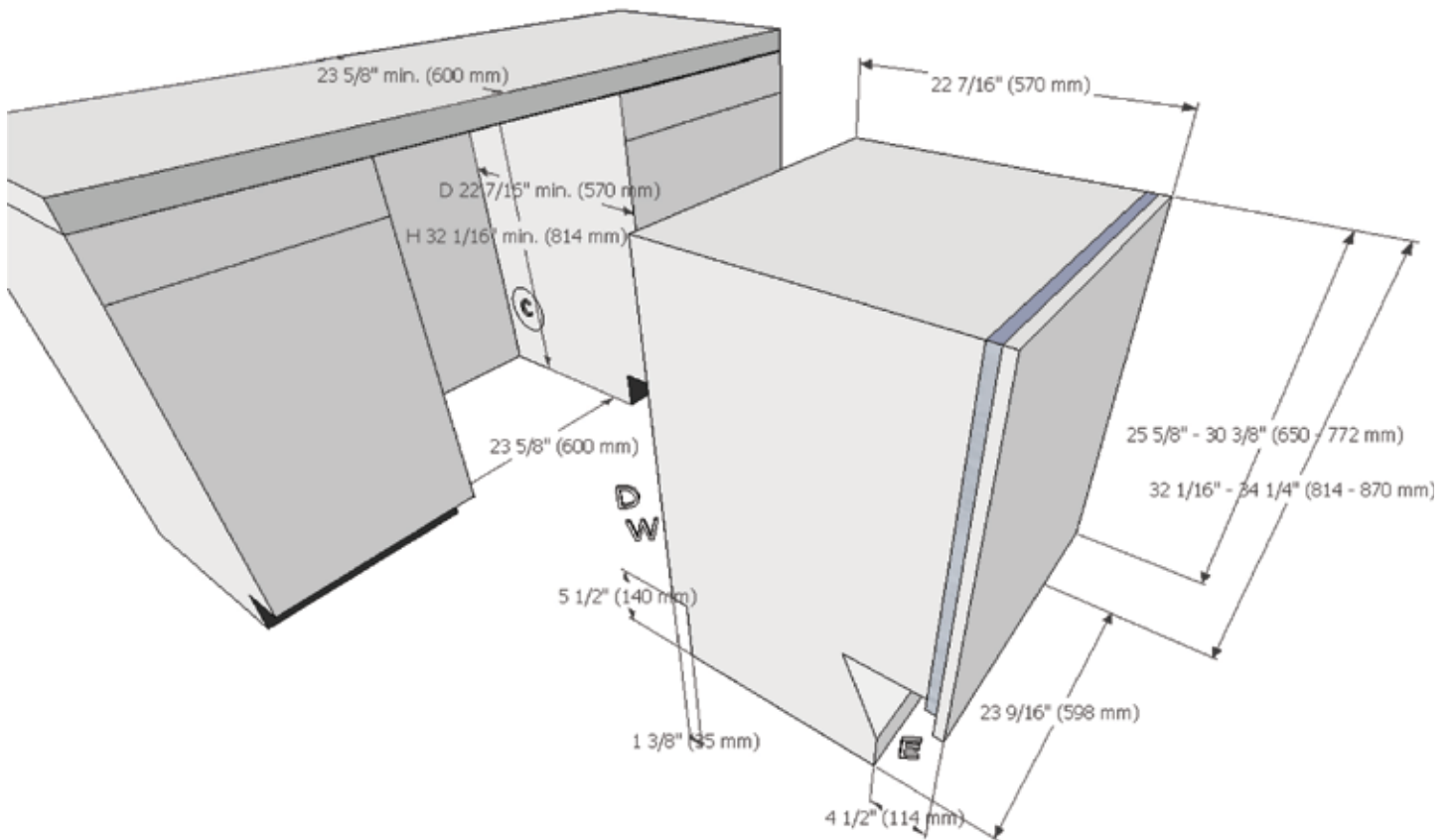
Model Overview



		CLASSIC	CRYSTAL	DIMENSION	DIMENSION SLIMLINE	DIAMOND	PROFI LINE
Baskets	FlexiCare	•					
	FlexiCare Plus		•		•		
	FlexiCare Premium			•			
	FlexiCare Deluxe					•	•
Cutlery	Cutlery basket	•	•				
	Cutlery tray	•	•		•		
	3D cutlery tray			•		•	•
Convenience	AutoClose					•	•
	BrilliantLight					•	•
	Delay Start	•	•	•		•	•
	RemoteVision™					•	
	ComfortClose	•	•	•		•	•
	Perfect GlassCare		•	•	•	•	•
	Water softener		•	•	•	•	•
	ADA compliant*	•*		•*	•		
	Q Acoustic ratings	Q1	Q2	Q4	Q3	Q5	Q1
Sensors	AutoSensor	•	•	•	•	•	
	SensorDry			•		•	
	Automatic Load-Size Sensor					•	
Finishes	Pre-finished (Black or White)	•	•				
	Pre-finished (Clean Touch Steel™)	•	•	•			
	Integrated - I (Clean Touch Steel™)			•	•	•	
	Fully Integrated - Vi (Custom Panel)	•		•	•	•	•
	Fully Integrated - SC SF (Clean Touch Steel™)	•	•	•		•	
Programs	Normal	•	•	•	•	•	•
	Express		•		•	•	
	Rinse & Hold	•	•	•	•	•	
	SaniWash	•	•	•	•	•	
	Pots & Pans	•	•	•	•	•	•
	Economy	•					
	China & Crystal		•	•	•	•	•
	Turbo Mode	•	•	•		•	
	Intensive Mode			•		•	
Diamond Programs	ExtraQuiet			•		•	
	Heavy Soil					•	
	SensorWash					•	
	Light					•	
	Energy Saver					•	
	Plastics					•	•
	Starch/Cheese					•	
	Tall Items					•	
	Glass - No Rinse Aid (Warm)					•	
	Glass - No Rinse Aid (Cold)					•	
	ProSpeed 23 minute cycle						•
Profiline Programs	Universal						•
	Sanitize						•
	Beer Glasses						•
	CleanAir™	•	•	•	•	•	•
Drying	Advanced CleanAir™					•	•
	AutoOpen™ Drying			•		•	•

* Classic G 4281 SCVi and Dimension G 5670 SCVi are ADA compliant

Futura Series Fully Integrated Dishwashers ADA Compliant



Location Codes

C - Cutout 1 3/8" x 1 3/4" (34 mm x 35 mm) for water, drain and electric pass-through.

Adjust according to water and drain location.

D - 5 foot (1.5 meter) flexible drain hose connects lower center rear.

E - 5 foot (1.5 meter)– 120 Volt – 15 Amp 3-wire molded plug power supply connects front terminal or can be hardwired.

W - 5 foot flexible water intake hose with a 3/8" compression fitting nut connects lower center rear.

Notes

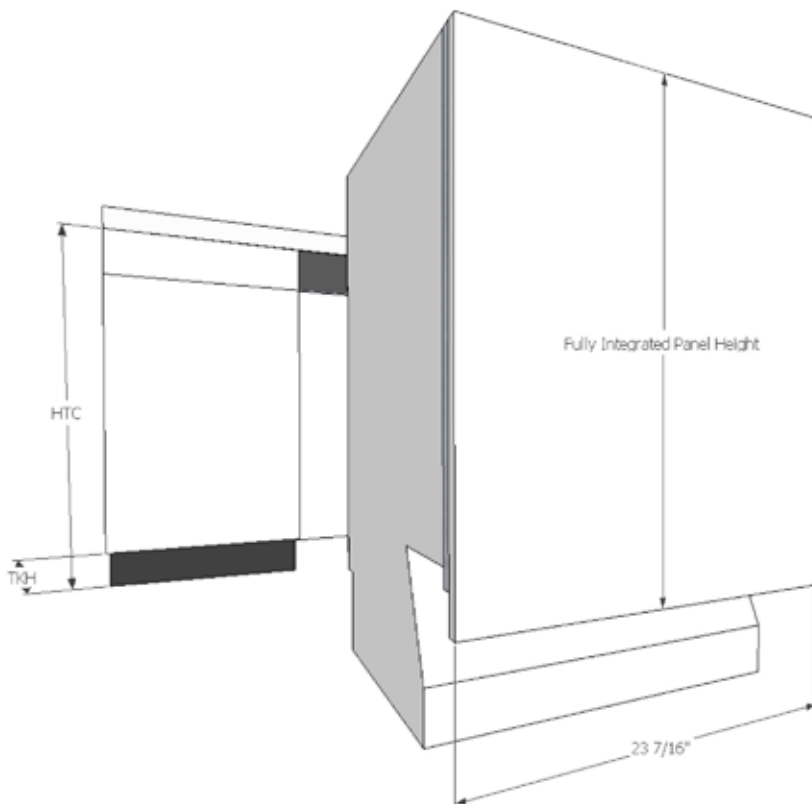
All installations must be done in accordance with local codes.

Drawing is not to scale

Specification Sheets OJS 11012011

Custom Panel Installations

Some Miele dishwashers do not come equipped with a front panel. These dishwashers are designed to accept a custom door panel supplied by the cabinet maker. Miele has a unique panel integration system which allows the dishwasher to align with the surrounding cabinets.



Width: 23 9/16" (598 mm) in all cases

Thickness: 3/4" (19 mm) in all cases

Height: Determined using the following calculation:

$$\text{Panel Height} = \text{HTC} - \text{TKH}$$

HTC = Height to the underside of countertop

TKH = Toe kick height

Note: Control panel is along the top edge of the unit. It is not visible when the unit is closed. A handle **MUST** be located on the front panel in order to open the unit.

Maximum panel height: 30 3/8" (772 mm)

Minimum panel height: 25 5/8" (650 mm)

Maximum panel weight: 21 Pounds (9.5 kg)

GFVI Installations

Miele offers pre-fabricated stainless steel panels for all fully integrated units. These panels are designed for various toe-kick heights and offer a choice of handle options.

Drawing is not to scale

Specification Sheets OJS 11012011

Futura Series Fully Integrated Dishwashers ADA Compliant



		Height to underside of countertop								
		32 1/4	32 1/2	32 3/4	33	33 1/4	33 1/2	33 3/4	34	34 1/4
Toe Kick Height	2									
	2 1/2									
	3									
	3 1/2									
	4									
	4 1/2									
	5									
	5 1/2									
	6									
	6 1/2									
	7									
	7 1/2									
	8									
8 1/2										

Acceptable combinations

Drawing is not to scale

Specification Sheets OJS 11012011

Futura Lumen Dishwasher G 6560 SCVi



Features:

- 3D cutlery tray
- FlexiCare Deluxe basket design
- AutoSensor technology
- 11 wash programs
- 5 program options
- *ExtraQuiet* program
- AutoOpen drying
- Perfect GlassCare system
- SensorDry
- *Extra Dry* option
- *Intensive* option
- FlexiTimer
- Water softening unit
- 44 dBa
- 16 place settings
- ADA compliant



FlexiCare Deluxe basket design



3D cutlery tray



Intensive option

Quiet & Clean Guarantee
MADE IN GERMANY



Pricing:

MODEL	UMRP/MAP	RETAIL
G 6560 SCVi - Futura Lumen	\$1699	\$1799

MODEL OVERVIEW
Width: 24"
Color: Fully integrated, custom panel ready
Item Numbers: 21656062USA
EAN Numbers: 4002515546475
Dimensions: 23 ⁹ / ₁₆ "W, 32 - 34 ¹ / ₄ "H, 22 ⁷ / ₁₆ "D