

Operating Instructions

Dishwasher



To prevent accidents and machine damage, read these instructions before installation or use.

Contents

IMPORTANT SAFETY INSTRUCTIONS	5
Guide to the dishwasher	14
Appliance overview	14
Control panel.....	15
Display functions.....	16
Caring for the environment	17
Disposal of packaging material.....	17
Disposal of your old appliance	17
Energy-saving dishwashing	17
Before using for the first time	18
Opening the door	18
Closing the door	18
Basic settings.....	19
Before using the appliance for the first time, you require:	21
Dishwasher salt.....	21
Filling the salt reservoir	22
Salt refill indicator	23
Rinse aid	24
Adding rinse aid	24
Rinse aid indicator	25
Loading the dishwasher	26
Tips	26
Loading examples.....	28
Upper basket	32
Adjusting the upper basket.....	33
Lower basket	34
Grates and filters.....	36
Cutlery.....	38
3D cutlery tray (depending on model).....	38
Cutlery basket (depending on model).....	39
Operation	40
Detergent	40
Adding detergent	41
Turning on	42
Selecting a program.....	42
Starting a program	43
Time display	43
Energy management.....	44
At the end of the program.....	44

Turning off	45
Unloading the dishwasher	45
Interrupting a program	46
Changing a program	46
Options	47
Options	47
FlexiTimer with EcoStart	48
Program overview	51
Settings menu	53
Opening the Settings menu	53
Language ▾	54
Time of day	54
Water hardness	55
Rinse aid	56
EcoStart	56
AutoOpen	58
Optimize Standby	59
Refill indicators.....	59
Check filters	60
Soak	60
Pre-Rinse	60
Brightness	60
Volume	61
Version info	61
Showroom program	61
Factory default settings.....	62
Closing the Settings menu.....	62
Cleaning and care	63
Cleaning the wash cabinet.....	63
Cleaning the door and the door seal	63
Cleaning the control panel	63
Cleaning the indicator reflector panel	63
Cleaning the door front	64
Filter system.....	65
Cleaning the spray arms	67
Frequently Asked Questions	68
Technical problems	68
Water intake fault	71
Water drainage fault	72

Contents

General problems.....	73
Noises	74
Poor cleaning results.....	75
Frequently asked questions	78
Cleaning the drain pump and non-return valve	78
Customer service	79
Repairs	79
Warranty	79
Optional accessories	80
.....	82
Installation Instructions	83
Electrical connection	84
Water connection	86
Connection to the water supply	86
Drainage.....	87
Sound emission testing	88

IMPORTANT SAFETY INSTRUCTIONS

This dishwasher complies with current safety requirements. Inappropriate use can, however, lead to personal injury and damage to property.

To avoid the risk of accidents and damage to the dishwasher, please read the installation plan and the operating instructions carefully before it is installed and used for the first time. They contain important information on its installation, safety, use and maintenance.

Keep the installation plan and the operating instructions in a safe place and pass them on to any future owner.

Miele cannot be held liable for damage caused by non-compliance with this information.

IMPORTANT SAFETY INSTRUCTIONS

Correct use

- ▶ This dishwasher is intended for use in domestic households and similar residential environments.
- ▶ This dishwasher is not suitable for outdoor use.
- ▶ It must only be used as specified in these operating instructions for cleaning domestic dishware and cutlery. Any other usage is not supported by the manufacturer and could be dangerous.
- ▶ This appliance is not intended for use by persons (including children) with reduced physical, sensory or mental capabilities, or lack of experience and knowledge.

IMPORTANT SAFETY INSTRUCTIONS

Safety with children

- ▶ Children must be kept away from the appliance unless they are constantly supervised.
- ▶ Children should be supervised to ensure that they do not play with the appliance. Keep small children away from the appliance at all times to avoid the risk of injury. There is the risk that children may lock themselves in the dishwasher.
- ▶ If the automatic door opening mechanism (depending on model) is active keep young children away from the area in which the door opens. Danger of injury in the unlikely event of a fault with the opening mechanism.
- ▶ Danger of suffocation! Ensure that any plastic wrappings, bags, etc. are disposed of safely and kept out of the reach of children.
- ▶ Keep children away from detergents. Dishwasher detergents can cause burning in the mouth, nose and throat if swallowed, or inhibit breathing. Keep children away from the dishwasher when the door is open. There could still be detergent residues in the cabinet. Seek medical attention immediately if your child has swallowed or inhaled detergent.

IMPORTANT SAFETY INSTRUCTIONS

Technical safety

- ▶ Installation, repair, and maintenance work should only be performed by a Miele-authorized service technician. Work by unqualified persons could be dangerous and may void the warranty.
- ▶ Before installation, check the dishwasher for visible signs of damage. Under no circumstances should you use a damaged dishwasher. A damaged dishwasher could be dangerous.
- ▶ The electrical safety of this appliance can only be guaranteed when continuity is complete between it and an effective grounding system. It is most important that this basic safety requirement is present and regularly tested and, where there is any doubt, the electrical system in the house should be checked by a qualified electrician.
Miele cannot be held liable for the consequences of an inadequate grounding system (e.g. electric shock).
- ▶ Reliable and safe operation of this dishwasher can only be assured if it has been connected to the electrical supply.
- ▶ The dishwasher must only be plugged into the electricity supply via a suitable switched socket using a 3-pin plug with a grounding contact (it must not be hard-wired). The electrical socket must be easily accessible after the dishwasher is installed so that it can be disconnected from the electricity supply at any time.
- ▶ There must be no electrical sockets behind the dishwasher. There is a danger of overheating and fire risk if the dishwasher is pushed up against a plug.
- ▶ The dishwasher must not be installed under a cooktop. The high radiant temperatures which are sometimes generated by a cooktop could damage the dishwasher. For the same reason, it should not be installed next to open fires or other appliances which give off heat, such as heaters, etc.

IMPORTANT SAFETY INSTRUCTIONS

▶ To avoid the risk of damage to the dishwasher, make sure that the connection data on the data plate (fuse rating, voltage, and frequency) matches the electrical supply before connecting the dishwasher to the mains. Consult a qualified electrician if in any doubt.

▶ Do not connect the dishwasher to the electrical supply until it has been fully installed and any adjustment has been made to the door springs.

▶ The dishwasher may only be operated if the door opening mechanism is working correctly. Otherwise there could be a risk of danger while the automatic door opening mechanism (depending on model) is active.

To check that the door opening mechanism is working correctly:

- The door springs must be adjusted equally on both sides. They are correctly adjusted when the door remains stationary when left half open (approx. 45° opening angle). It is also important that the door cannot fall open.
- The door locking pins automatically retract when the door opens at the end of the drying phase.

▶ Do not connect the appliance to the electrical supply by a multi-socket adapter or an extension lead. These do not guarantee the required safety of the appliance (e.g. danger of overheating).

▶ This appliance must not be installed and operated in a non-stationary location (e.g., on a ship).

▶ Do not install the dishwasher in a room where there is a risk of frost. Frozen hoses may burst or split. The reliability of the electronic module may be impaired at temperatures below freezing point.

▶ The water pressure (flow pressure at the connection point) must be between 4.35 - 145 psi.

▶ A damaged appliance could be dangerous. If the dishwasher gets damaged, turn off the electrical supply and contact Miele.

IMPORTANT SAFETY INSTRUCTIONS

- ▶ The manufacturer's warranty will be invalidated if the appliance is not repaired by a Miele-authorized service technician.
- ▶ Defective components should be replaced by Miele original parts only. Only with these parts can the manufacturer guarantee the safety of the appliance.
- ▶ During installation, maintenance and repair work, the appliance must be disconnected from the electrical supply (turn it off and withdraw the plug from the socket).
- ▶ If the connection cable is damaged, it must be replaced with a special cable of the same type (available from Miele) by a Miele-authorized service technician only.

IMPORTANT SAFETY INSTRUCTIONS

Proper installation

▶ The dishwasher must be installed and connected in compliance with the installation plan.



▶ Be careful when installing the dishwasher. Wear protective gloves to avoid injury on any sharp metal components.

▶ The dishwasher must be correctly aligned horizontally to ensure problem-free operation.

▶ In order to ensure stability, built-under and integrated dishwashers must only be installed under a continuous counter which is secured to adjacent cabinetry.

▶ If you want to convert your freestanding dishwasher to a built-under ("U") model, you will need to order the appropriate conversion kit. If you remove the existing toe-kick, you must replace it with a U-model plinth. This is necessary to avoid the risk of injury caused by protruding metal parts.

▶ The door springs must be adjusted equally on both sides. They are correctly adjusted when the door remains stationary when left half open (approx. 45° opening angle). It is also important that the door cannot fall open.

The appliance may only be used with correctly adjusted door springs.

IMPORTANT SAFETY INSTRUCTIONS

Proper use

- ▶ Do not use solvents in the dishwasher. Danger of explosion!
- ▶ Do not inhale or ingest powder detergent. Dishwasher detergents contain irritant or corrosive ingredients which can cause burning in the nose, mouth, and throat if swallowed, or inhibit breathing. Seek medical attention immediately if detergent has been swallowed or inhaled.
- ▶ Avoid leaving the door open unnecessarily as someone could trip over it and be injured by it.
- ▶ Do not sit or lean on the opened door. This could cause the dishwasher to tip and be damaged, and you could get injured.
- ▶ Dishes can be very hot at the end of a program. Allow them to cool until they are comfortable enough to handle before unloading.
- ▶ Only use detergent and rinse aid formulated for domestic dishwashers. Do not use dishwashing liquid.
- ▶ Do not use commercial or industrial detergents as these may cause damage, and there is a risk of a severe explosive chemical reaction (such as an explosive oxyhydrogen gas reaction).
- ▶ Do not fill the rinse aid reservoir with powder or liquid detergent. This will cause serious damage to the reservoir.
- ▶ Inadvertently filling the salt reservoir with powder or liquid dishwasher detergent will damage the water softener. Make sure you have picked up the correct packet of dishwasher salt before filling the salt reservoir!
- ▶ Only use special coarse grained dishwasher salt for reactivation. Do not use other salts such as cooking salt, agricultural grade or gritting salt. These may contain insoluble additives which can impair the functioning of the water softener.

IMPORTANT SAFETY INSTRUCTIONS

- ▶ In an appliance with a cutlery basket (depending on model), cutlery is cleaned and dried more efficiently if placed in the basket with the handles downwards. However, to avoid the risk of injury, place knives and forks with the handles upwards.
- ▶ Plastic items which cannot withstand being washed in hot water, such as disposable plastic containers or plastic cutlery should not be cleaned in the dishwasher. The high temperatures in the dishwasher may cause them to melt or lose shape.
- ▶ If you use the "FlexiTimer/Delay Start" option (depending on model), make sure that the dispenser is dry before adding detergent. Wipe dry if necessary. Detergent will clog if poured into a damp dispenser and may not be thoroughly dispersed.
- ▶ Please observe the information given in "Technical data" regarding the capacity of the dishwasher.

Accessories

- ▶ Use only genuine original Miele parts. If spare parts or accessories from other manufacturers are used, the warranty may become invalid.

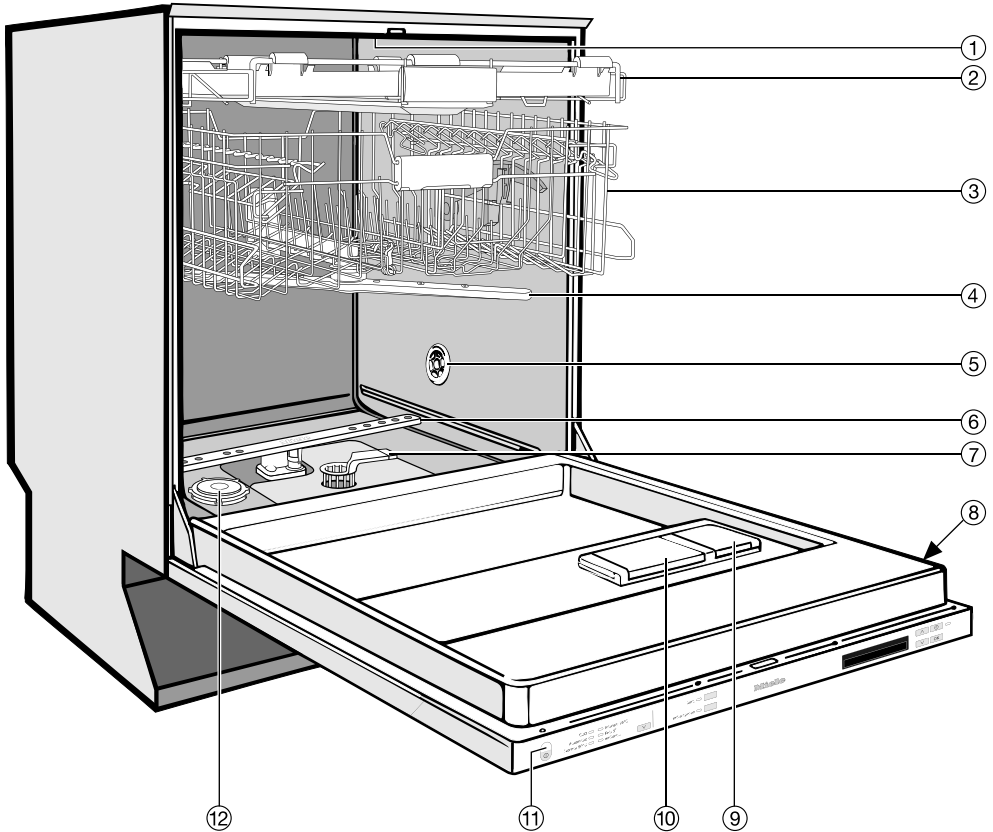
Disposal of your old dishwasher

- ▶ Make the door lock inoperative so that children cannot accidentally shut themselves in. Remove or destroy the locking bracket of the door lock, and make appropriate arrangements for the disposal of the appliance.

SAVE THESE INSTRUCTIONS AND PASS THEM ON TO ANY FUTURE USER

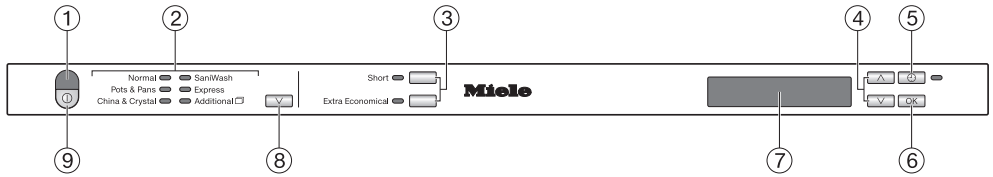
Guide to the dishwasher

Appliance overview



- ① Upper spray arm (not visible)
- ② Cutlery tray (depending on model)
- ③ Upper basket
- ④ Middle spray arm
- ⑤ Air intake for drying (depending on model)
- ⑥ Lower spray arm
- ⑦ Filter system
- ⑧ Data plate
- ⑨ Rinse aid reservoir
- ⑩ Dual compartment detergent dispenser
- ⑪ Optical Interface
- ⑫ Reservoir for dishwasher salt

Control panel



- ① Optical Interface
- ② Program selection
- ③ *Short* and *Extra Economical* option buttons with indicator lights
- ④ Arrow buttons ∇/\wedge
- ⑤ ⌚ button - FlexiTimer with indicator light
- ⑥ OK button
- ⑦ Display
- ⑧ Program selection button ∇
- ⑨ ⏻ (On/Off) Button

These operating instructions apply to several different dishwasher models with different heights.

The specific dishwasher models are referred to as follows:

Standard = 31 11/16" (80.5 cm) high dishwashers (integrated)

and 33 1/4" (84.5 cm) high dishwashers (freestanding)

XXL = 33 1/4" (84.5 cm) high dishwashers (integrated)

Guide to the dishwasher

Display functions

General information


The display is used to select or set the following:

- The program
- The FlexiTimer (Delay Start)
- The Settings menu

The display can show the following:

- The program stage
- The estimated time left for the program to run
- Any relevant fault messages and information

To save energy, the dishwasher switches off after a few minutes if you do not press any buttons during this time.

To switch the dishwasher back on again, press the  button.

Settings menu



The Settings menu is used to adapt the electronic module of the dishwasher to changing requirements. See the "Settings menu" chapter for more information on accessing the settings menu.

The arrows in the display indicate additional options. You can use the ∇/\wedge arrow buttons next to the display, as appropriate, to select these additional options.

The *OK* button is used to confirm a message or setting and also to move to the next menu or another level.

The option which is selected will have a check \checkmark next to it.

To exit a sub-menu, use the ∇/\wedge arrow buttons to select the *Back* \leftarrow option in the display and confirm your choice with *OK*.

If you do not press any of the buttons for several seconds, the display will return to the previous level. You may need to enter your settings again.

Disposal of packaging material

The cardboard box and packaging protect the appliance during shipping. These materials are biodegradable and recyclable. Please recycle.

Disposal of your old appliance

Old appliances may contain materials that can be recycled. Please contact your local recycling authority about the possibility of recycling these materials.

Please be sure that your old appliance does not pose a danger to children while being stored for disposal.

Energy-saving dishwashing

This dishwasher is economical in the use of water and electricity. For best results follow these tips:

- For most economical dishwashing, make full use of the baskets without overloading the dishwasher.
- Choose a program that best suits the degree of soiling and the type of dishes being washed.
- Select the *Economy* program (depending on model) for energy-saving dishwashing. This program is the most efficient in terms of its combined energy and water consumption at cleaning normally soiled dishware.
- Follow the detergent manufacturer's recommendations on detergent dosage.
- When using powder or liquid detergent, you can use $\frac{1}{3}$ less detergent if baskets are only half full.
- The dishwasher can be connected to a hot water supply for further economies. If the water is heated by for example, solar panels, this would be energy efficient.
However, if your water is heated by electricity we would recommend connection to cold water.

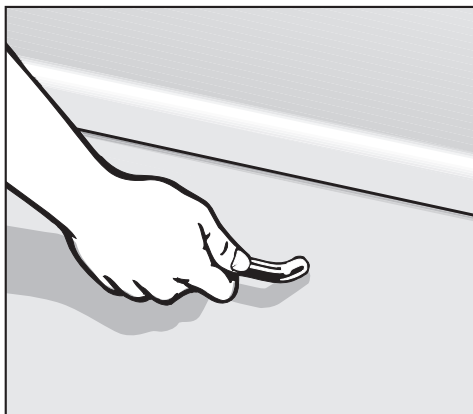
You can find additional tips on energy-saving dishwashing in "Miele's guide to dishwashing".

Before using for the first time

Opening the door


At the end of programs with a drying phase (see "Program overview"), the door will open automatically a little in order to help the drying process.

This function can be deactivated if preferred (see "Settings menu - AutoOpen").




- Pull the handle to open the door.
- Open the door fully so that the door catch rail retracts again.

If the door is opened during operation, all functions are automatically interrupted.


 Water in the dishwasher may be hot. Danger of scalding!

Only open the door during operation if absolutely necessary and exercise extreme caution when doing so.

 Keep the area around the door free of obstructions.

Closing the door

- Push the baskets in.
- Then lift the door upwards and push until it clicks into position.

 Danger of crushing injuries!
Do not put your hand inside the door as it is closing.

Basic settings

- Open the door.
- Turn the dishwasher on with the ① button.

The welcome screen will appear when the dishwasher is turned on for the first time.

Language

The display will change automatically to the screen for setting the language.

- Use the \vee/\wedge arrow sensors to select the language you want and also the country, if appropriate, and confirm your selection with *OK*.

To learn about the display, read the section with the same name.

A check \checkmark will appear next to the language that has been set.

Time of day

The display will then change to the screen for setting the time.

The current time of day must be set before you can use the "FlexiTimer" program option.

- Use the \vee/\wedge arrow buttons to set the hour and confirm with *OK*.
- Then set the minutes and confirm with *OK*.

Keeping the \vee/\wedge arrow buttons pressed will increase or decrease the time automatically.

Before using for the first time

Water hardness

The display changes to the water hardness setting.

- The dishwasher must be programmed for the water hardness in your area.
- Your local water supplier can tell you the water hardness level in your area.
- Where the water hardness fluctuates e.g. between 10 - 16 gr/gal (10 - 15 °d), always program the dishwasher to the higher value (16 gr/gal or 15 °d in this example).

It is useful to know your water hardness so that you can provide the service technician with this information in the event of any service calls.

Enter the water hardness below:

_____ gr/gal (°d)

The dishwasher is programmed at the factory for a water hardness level of 1 gr/gal (1 °d).

- Use the ∇/\wedge arrow buttons to select the hardness of your water supply and confirm with **OK**.

See "Settings menu - Water hardness" for more information.

The message **Set-up successfully completed** will then appear in the display.

After confirming this with **OK**, the prompts S Refill salt and R Refill rinse aid may appear.

- Add salt and rinse aid if necessary (see "Before using for the first time - Dishwasher salt" and "Rinse aid").
- Confirm the messages with **OK**.

The program selected will appear briefly in the display and the appropriate indicator light will come on. Then, the display will show the estimated program duration for the program selected.

These basic settings will be saved in memory after the dishwasher has been through one complete program.

Before using for the first time

Before using the appliance for the first time, you require:

- Approx. 2 qt (2 l) of water
- Approx. 2 kg (4 lbs) of dishwasher salt
- Domestic dishwasher detergent
- Rinse aid formulated for domestic dishwashers

Every dishwasher is tested at the factory. There will be residual water in the appliance from this test. It is not an indication that it has been used previously.

Dishwasher salt


In order to achieve good cleaning results, the dishwasher needs to operate with soft water. Hard water results in a build-up of calcium deposits on dishware and in the dishwasher.

Water supplies with a hardness level higher than 4 gr/gal (4 °d) needs to be softened. This takes place automatically in the integrated water softener. The water softener in the dishwasher is suitable for a water hardness level of up to 73 gr/gal (70 °d).


The water softener requires dishwasher salt.

Depending on the water hardness level (< 22 gr/gal or 21 °d), dishwasher salt is not required if combination tablets are being used (see "Operation - Detergent").

If the water in your area is very soft and constantly **lower than 5 gr/gal (5 °d)** you do **not** have to add dishwasher salt. The prompt to add salt will be switched off automatically.

 Dishwasher detergent will destroy the water softener.

Do not fill the salt container with dishwasher detergent (even liquid detergent).

 Use only special, coarse-grained dishwasher salt or other pure kitchen salt.

Other types of salt may contain insoluble components which can damage the water softener.

Before using for the first time

Filling the salt reservoir

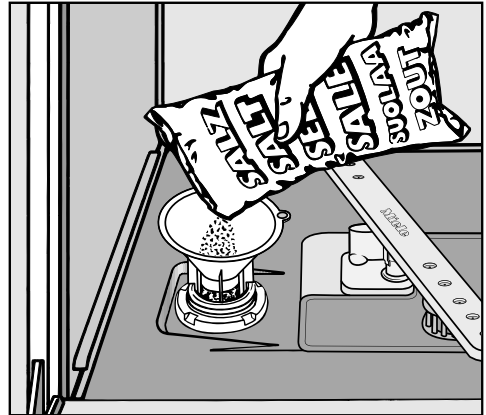
Important! Before filling the salt reservoir with dishwasher salt for the first time, you must fill it with approx. 2 qt (2 l) of water to enable the salt to dissolve.

Once the dishwasher has been used for the first time, there is always sufficient water in the reservoir.

- Remove the lower basket and unscrew the salt reservoir cap.

Water will run out of the reservoir when the cap is removed. It should therefore only be removed in order to refill the salt reservoir.


- Fill the reservoir with approx. 2 qt (2 l) of water (first use only).



- Place the funnel provided over the salt reservoir and carefully fill with salt until the reservoir is full. The salt reservoir holds approx. 4 lbs (2 kg) of salt depending on the brand used.
- Clean any excess salt from around the reservoir opening and then screw the cap on again firmly.
- Immediately after filling the salt reservoir, run the *Express* program with the *Short* program option selected and without any dishware in the dishwasher to remove any traces of salt from the cabinet.

Before using for the first time

Salt refill indicator

- Fill the salt reservoir with dishwasher salt for reactivation when  Refill salt appears in the display (If it appears during a program, wait until the end of the program).
- Confirm with *OK*.

The salt refill indicator will go out.



Risk of corrosion!

Immediately after filling the salt reservoir, run the *Express* program with the *Short* program option selected and without any dishware in the dishwasher to remove any traces of salt from the cabinet.

After the salt reservoir has been filled, the refill indicator may still appear in the display if the salt concentration has not yet reached the correct level. If this is the case, confirm again with *OK*.

The salt refill indicator will be switched off if you have programmed the dishwasher for a water hardness below 5 gr/gal (5 °d).


If you only ever use Tab products in your dishwasher, you can switch off both refill indicators for salt and rinse aid if you wish (see "Settings menu - Switching off the refill indicators").

If you switch to using detergent that does not contain salt or rinse aid, it is important to remember to add dishwasher salt and rinse aid and to switch the indicators back on.

Before using for the first time

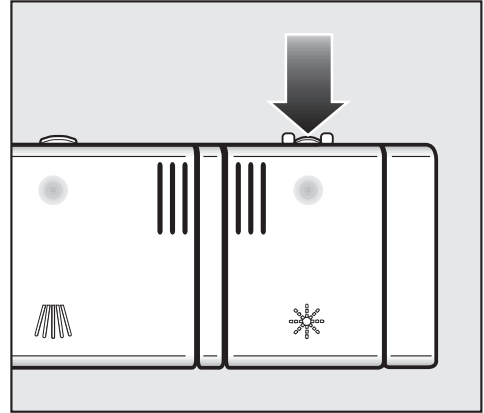
Rinse aid

Rinse aid is needed to prevent spotting on dishes and glassware. The rinse aid is filled in the reservoir and the set amount will be automatically dosed.

 Filling the rinse aid reservoir with detergent will damage the reservoir. Only pour rinse aid formulated for residential dishwashers into the reservoir.

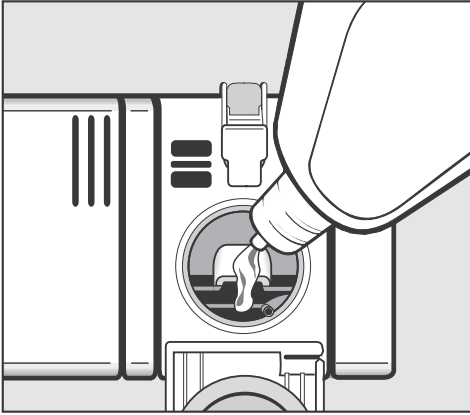
When using "Tab" detergents rinse aid is not needed.

Adding rinse aid



- Press the button on the lid of the rinse aid reservoir in the direction of the arrow until the flap springs open.

Before using for the first time



- Add rinse aid only until it is visible in the opening.

The rinse aid reservoir holds approx. 3.7 oz. (110 ml).

- Close the flap firmly so that it clicks into place. Otherwise water can enter the rinse aid reservoir during a program.
- Wipe up any spilled rinse aid. This prevents over-foaming occurring during the next program.

You can adjust the rinse aid dosage for best results (see "Settings menu - Rinse aid").

Rinse aid indicator

When the ☼ Refill rinse aid message appears in the display, the reservoir contains sufficient rinse aid for 2 - 3 programs only.

- Add rinse aid.
- Confirm with OK.

The rinse aid refill indicator will go out.


If you only ever use Tab products in your dishwasher, you can turn off both refill indicators for salt and rinse aid if you wish (see "Settings menu - Turning off the refill indicators").

Loading the dishwasher

Tips

Remove coarse food residues from the dishware.

There is no need to rinse items under running water!

 Do not wash items soiled with ash, sand, wax, grease, or paint in the dishwasher. These will damage the dishwasher.

Dishware can be loaded anywhere in the baskets, but the following notes should be observed:

- Do not place dishes or cutlery inside other pieces. They will cover each other.
- Load the dishware so that water can access all surfaces. This ensures that they get properly cleaned.
- Make sure that all items are securely positioned.
- Hollow items such as cups, glasses, pans, etc. must be inverted in the basket.
- Tall, narrow, hollow items, e.g., champagne glasses, should be placed in the center of the basket to ensure better water coverage.
- Concave items such as mugs or bowls should be placed at an angle so that the water can run off.
- The spray arms must not be blocked by items which are too tall or hang through the baskets. If in doubt, test for free movement by manually rotating the spray arms.

- Make sure that small items cannot fall through the holders in the baskets.
Small items, e.g., lids, should therefore be placed in the cutlery tray or cutlery basket (depending on model).

Some foods may contain natural dyes, e.g., carrots, tomatoes or tomato sauce. Plastic items in the dishwasher may discolor if large quantities of these foodstuffs find their way into the dishwasher on the dishware. The stability of plastic items is not affected by this discoloration.

Cleaning silver cutlery in the dishwasher may also cause plastic items to discolor.


Items not recommended for dish-washing

- Wooden cutlery, cutting boards and dishware or items with wooden parts
- Craft items, antiques, valuable vases, and decorative glassware
- Plastic items which are not heat-resistant: the high temperatures in the dishwasher may cause them to melt or lose shape.
- Copper, brass, tin and aluminum items may discolor or become matt.
- Colors painted over a glaze may fade after a number of washes.
- Delicate glassware and glassware containing lead crystal: clouding may occur over time.

Please note:

Silverware previously cleaned with a **silver polish** may still be damp or spotted at the end of a program, where water has not run off smoothly. It may need to be rubbed dry with a soft cloth.

Silver which has been in contact with foods containing sulphur can discolor. These include egg yolk, onions, mayonnaise, mustard, fish, and marinades.

 Aluminum components (e.g., range hood grease filters) must not be cleaned with a commercial or industrial cleaning agent. These may damage the material.

Tip: When purchasing new dishware and cutlery, make sure they are dishwasher-safe.

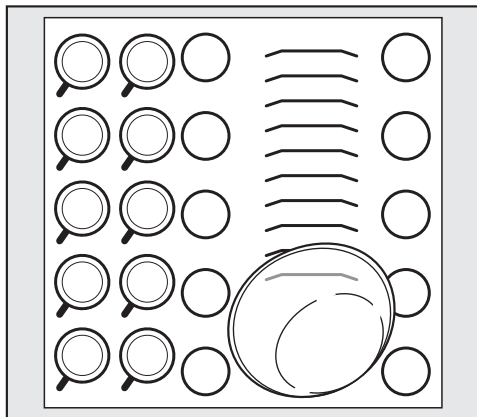
Glass care

- Clouding may occur on glasses after frequent washing. If delicate glassware is washed in the dishwasher, ensure that only very low temperatures are used (see program chart), or a special glass-care program is used (depending on model). This will reduce the risk of clouding.
- Purchase glassware which is dishwasher-safe (e.g., Riedel glassware).
- Use detergents with glass protective additives (e.g., Miele CareCollection tabs).
- Visit "<http://www.mieleglasscare.com/international/en/glasscare/english>" for more information on glass care.

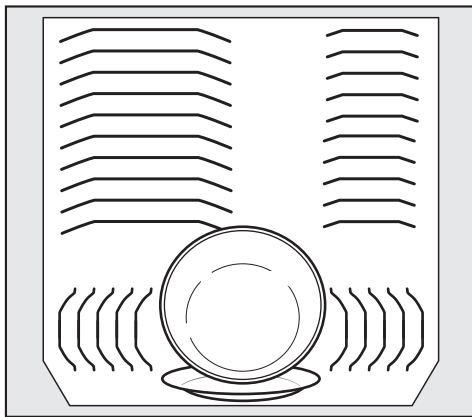
Loading the dishwasher

Loading examples

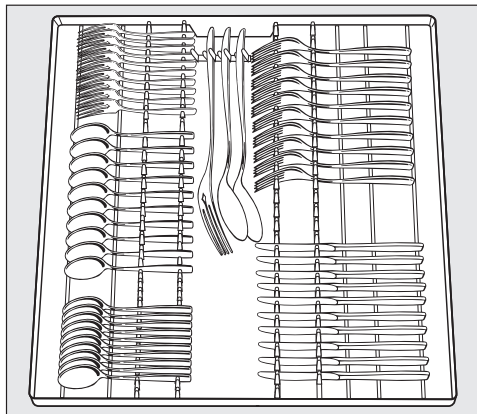
Loading for 10 standard place settings with cutlery tray



Upper basket



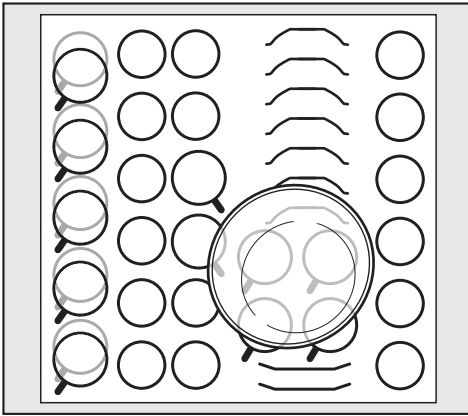
Lower basket



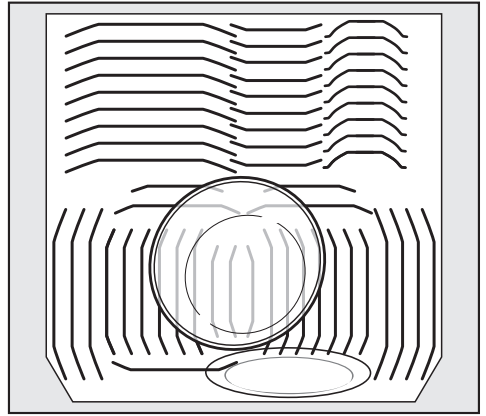
Cutlery tray (depending on model)

Loading the dishwasher

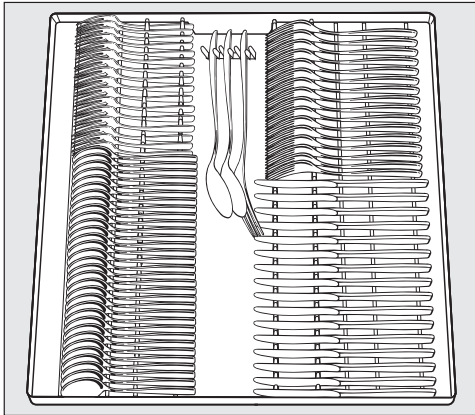
Loading for 16 standard place settings with cutlery tray



Upper basket



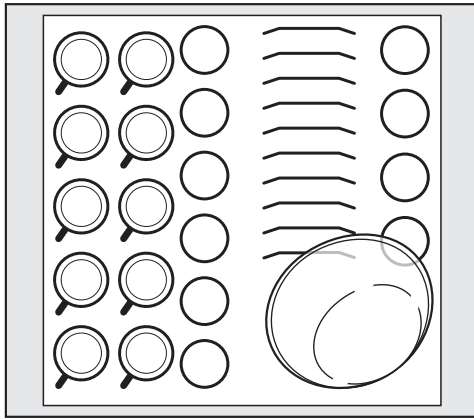
Lower basket



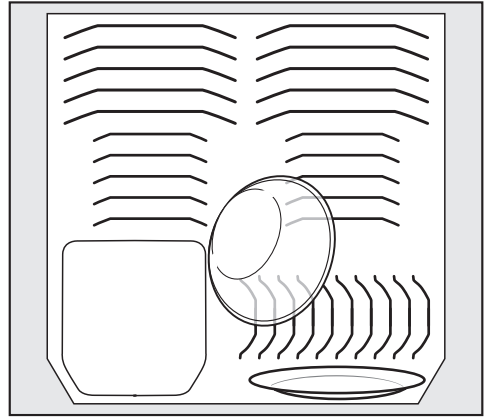
Cutlery tray (depending on model)

Loading the dishwasher

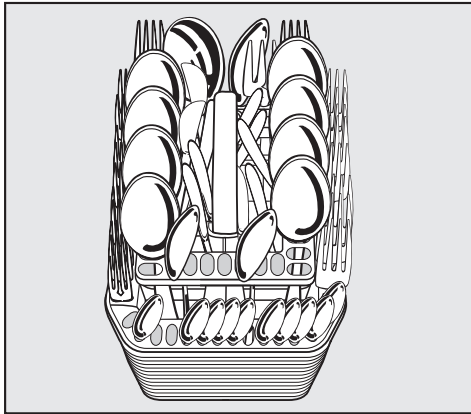
Loading for 10 standard place settings with cutlery basket



Upper basket



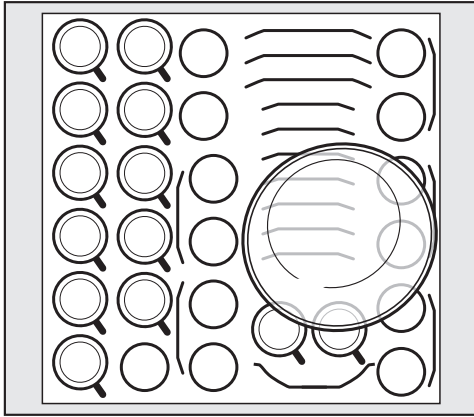
Lower basket



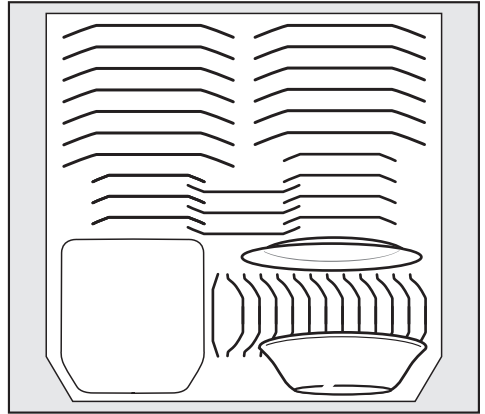
Cutlery basket

Loading the dishwasher

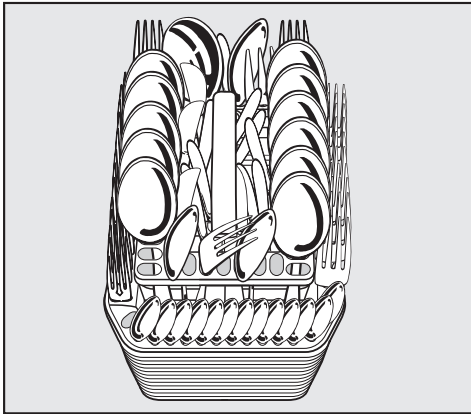
Loading for 13 standard place settings with cutlery basket



Upper basket



Lower basket

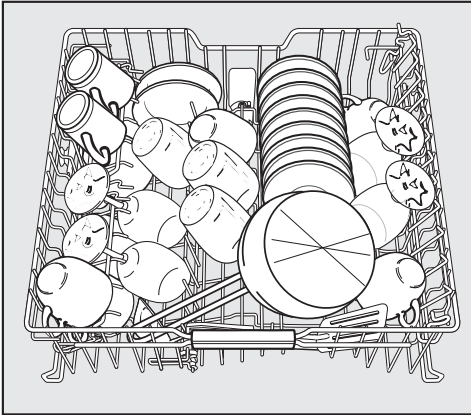


Cutlery basket

Loading the dishwasher

Upper basket

⚠ For safety reasons, do not operate the dishwasher without the upper and lower baskets in place (except when running the Tall items program, if available).



- Use the upper basket for small, light-weight and delicate items such as cups, saucers, glasses, dessert bowls, etc. Shallow pans or casserole dishes can also be placed in the upper basket.
- Long items such as soup ladles, mixing spoons, and long knives should be placed lying down across the front of the upper basket.

Adjustable cup rack (depending on model)

- Raise the rack to make room for tall items.

Glasses can be arranged along the positioning rail of the cup rack to give them some support during the program.

- Lower the cup rack and lean the glasses against it, or double stack smaller pieces.

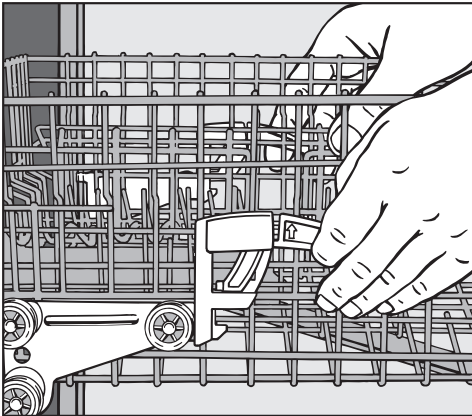
Loading the dishwasher

Adjusting the upper basket

In order to gain more space for taller items the upper basket can be adjusted on three levels with 3/4" (2 cm) between each level.

The upper basket can also be set at an angle with one side high and the other side low. Make sure, however, that the basket can slide smoothly in and out of the cabinet.

- Pull the upper basket out.



To raise the upper basket:

- Lift the basket until it clicks into place.

To lower the upper basket:

- Pull upwards on the levers at either side of the upper basket.
- Adjust the basket to the desired height and then push the levers securely back down into position.

Depending on the setting of the upper basket, the following plate dimensions can be accommodated.

Dishwashers with cutlery basket (see data plate for model number)

Upper basket adjustment	Plate Ø in inches (cm)		
	Upper basket		Lower basket
	Standard	XXL	
Upper	7 7/8" (20)	9 7/16" (24)	12 3/16" (31) 13 3/4" (35*)
Middle	8 11/16" (22)	10 1/4" (26)	11 7/16" (29)
Lower	9 7/16" (24)	11" (28)	10 5/8" (27)

Dishwashers with cutlery tray (see data plate for model number)

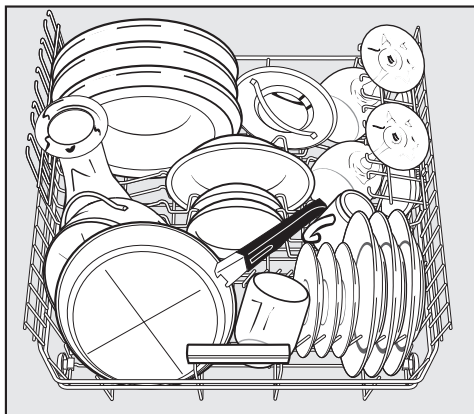
Upper basket adjustment	Plate Ø in inches (cm)		
	Upper basket		Lower basket
	Standard	XXL	
Upper	7 7/8" (15)	7 1/2" (19)	12 3/16" (31) 13 3/4" (35*)
Middle	6 11/16" (17)	8 1/4" (21)	11 7/16" (29)
Lower	7 1/2" (19)	9 1/16" (23)	10 5/8" (27)

* When tilted, plates of up to 13 3/4" (35 cm) can be accommodated (see "Lower basket").

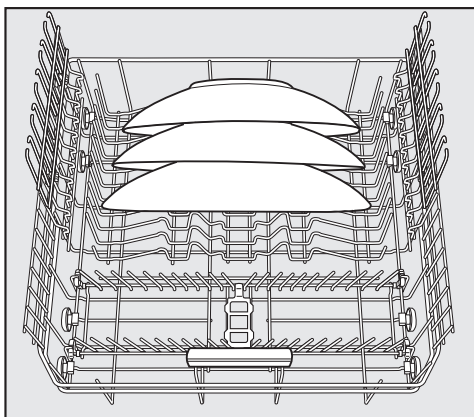
Depending on the setting of the upper basket, a variety of plate dimensions can be accommodated.

Loading the dishwasher

Lower basket



- For larger and heavier items such as plates, serving platters, saucepans, bowls, etc. Glasses, cups and small items such as saucers can also be placed in the lower basket. Do not place thin, delicate glassware in the lower basket.



- Place large platters and dishes in the center of the lower basket.

When tilted, plates up to 13 3/4" (35 cm) in diameter can be accommodated.

Removable MultiComfort insert

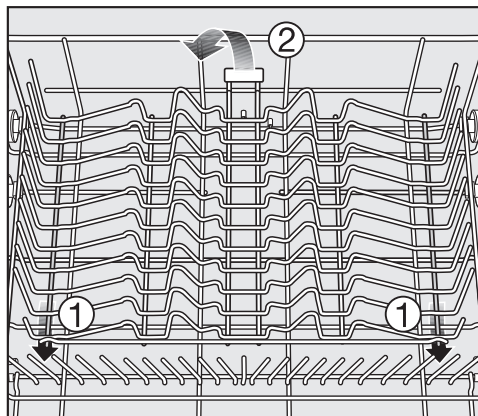
The rear section of the lower basket is used for washing cups, glasses, plates, pots and pans.

You can remove the MultiComfort insert to make more room for larger items such as casserole dishes.

Removing the insert

- Pull the yellow handle forwards and remove the insert.

Refitting the insert



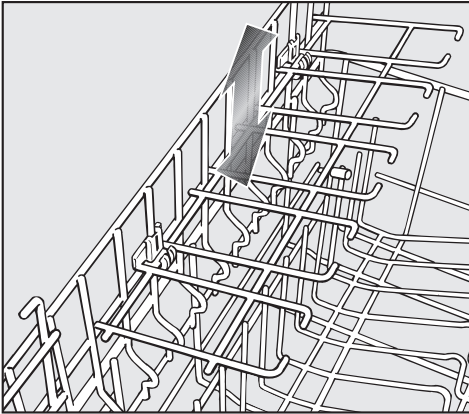
- Fit the insert into the lower basket with the hooks under the long cross-piece ①.
- Press down on the insert until it clicks into position ②.

Loading the dishwasher

Glass rack

- The glass rack can be raised to make more room for tall items.
- Stem glassware, e.g. wine glasses or champagne flutes, can be leaned against the glass rack or suspended from it.

You can set the glass rack at two different heights.

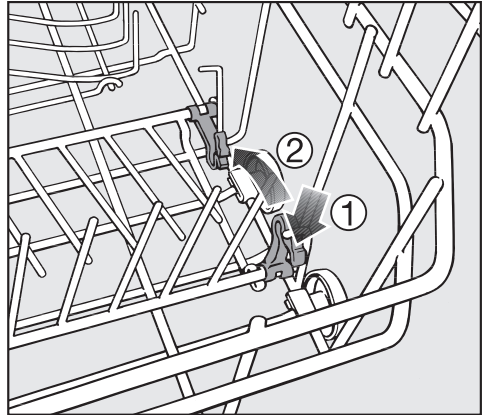


- Slide the glass rack to the desired height until the catches click into place at the top.

Hinged spikes (depending on model)

The spikes at the front are used for washing plates, soup bowls, platters, dessert bowls, and saucers.

The spikes can be lowered to make more room for large items, e.g. pots, pans and dishes.



- Press the yellow lever downwards ①, and then lower the spikes ②.

Loading the dishwasher

Grates and filters

You can also wash Miele grates, the Miele griddle plate, and Miele range hood filters.

- Select the **Grates & Filters** program for optimum dishwashing results.

⚠ Protruding parts can damage the dishwasher.

Load the dishwasher in such a way that no corners protrude over the side of the basket.

⚠ Heavy and sharp wash loads can damage the coating of the basket struts.

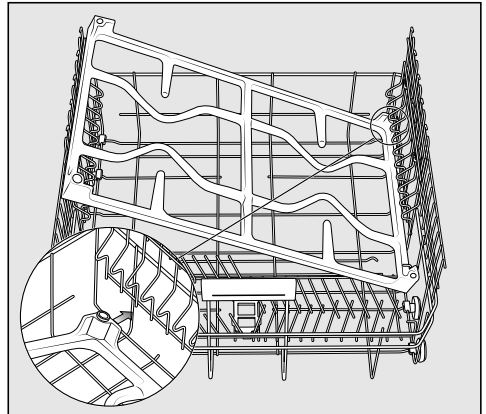
Load grates, griddle plates, and filters carefully.

⚠ Only place dishwasher safe Miele grates, filters and gill plates in the dishwasher.

Grates

⚠ Rust damages the dishwasher. Wash only grates that are undamaged and not rusty.

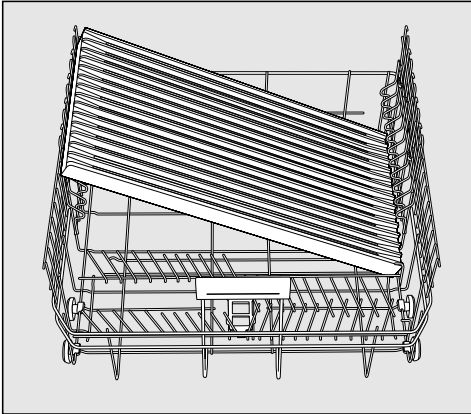
- Place the upper basket in the top position.
- Load the grate in the bottom basket. To do so, remove the MultiComfort insert and fold over the front row of spikes.



Loading the dishwasher

Griddle plate

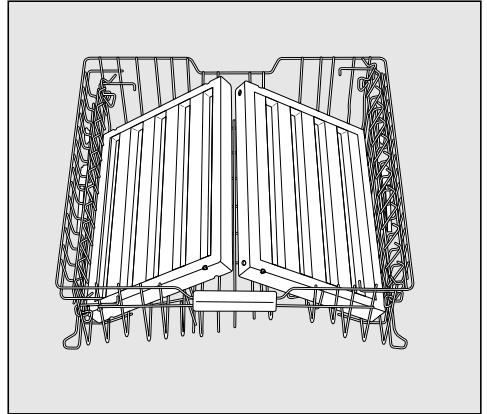
- Load the griddle plate in the bottom basket. To do so, fold over the front row of spikes.
- Arrange the griddle plate with the grilling surface facing upwards to guarantee better drying.



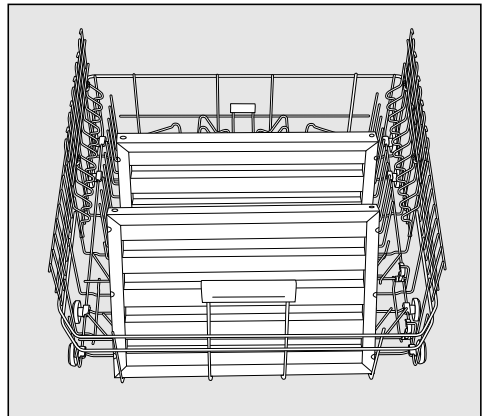
Filters

You can wash two range hood filters in the upper basket and two in the bottom basket at once.

If you only want to wash two filters, put them in the upper basket.



Upper basket



Lower basket

⚠ Be careful when unloading the filters. At the end of the program, the filters may still contain hot water.

Loading the dishwasher

Cutlery

3D cutlery tray (depending on model)

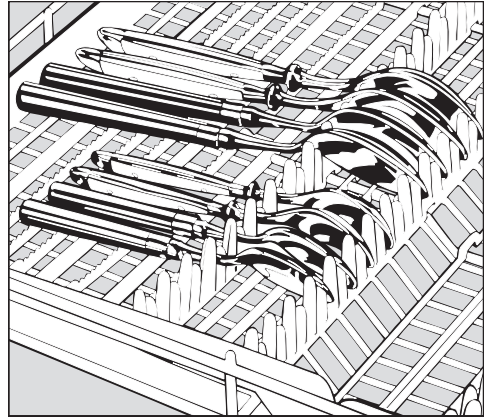
- Arrange the cutlery in the tray as shown.

To make unloading much easier, cutlery should be grouped in zones, one for knives, one for forks, one for spoons, etc.

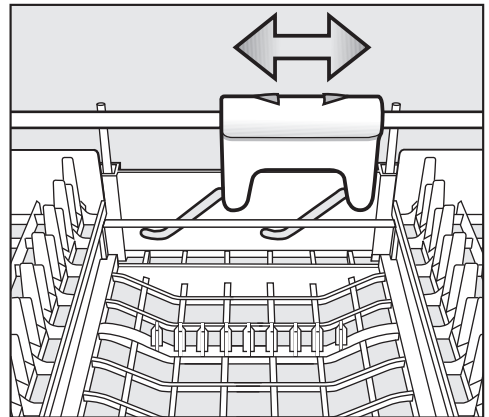
Spoon heads should be placed in contact with at least one of the serrated retainers on the base of the cutlery tray to ensure that water runs off them freely.

The upper spray arm must not be blocked by items which are too big.

The side sections of the tray can be moved into the middle to accommodate tall items of dishware in the upper basket.



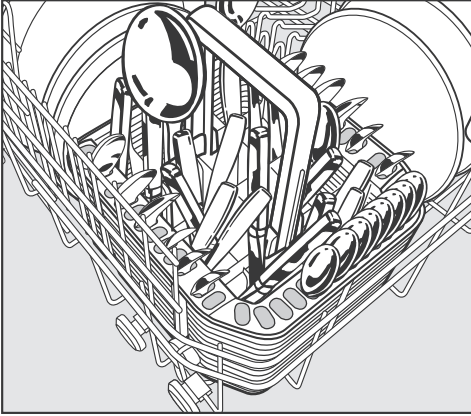
If spoon handles do not fit between the holders, lay them the other way round.



You can use the yellow slide to adjust the height of the middle section of the cutlery tray to make more room for large items of cutlery, such as serving spoons and ladles.

Loading the dishwasher

Cutlery basket (depending on model)

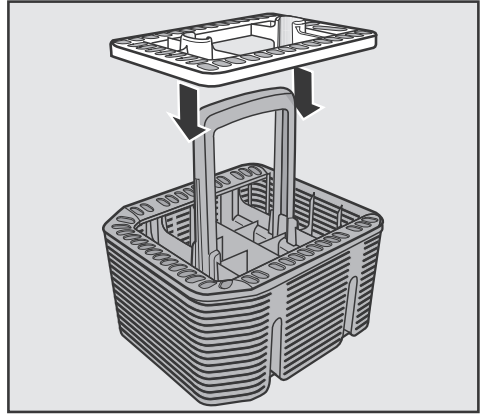


The cutlery basket can be placed anywhere on the front rows of spikes in the lower basket.

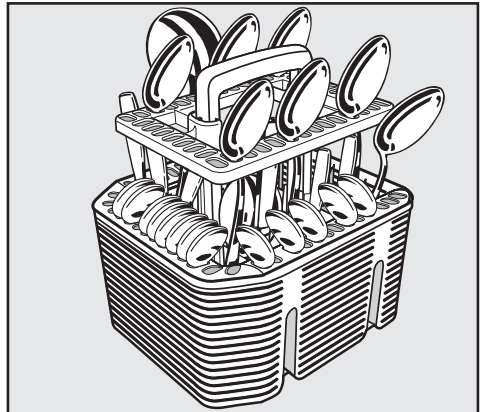
- To avoid the risk of injury, knives and forks should be placed with the handles upwards in the basket. However, cutlery placed handle down in the basket will come out cleaner and drier.
- Place small items of cutlery in the individual slots on three sides of the cutlery basket.

Cutlery insert for the cutlery basket

Use the insert supplied for heavily soiled items of cutlery. The insert separates the items so that they can be more easily accessed by water.



- Fit it onto the cutlery basket if required.



- Insert cutlery with the handles facing downwards.
- Distribute them evenly along the insert.

Operation

Detergent

 Only use detergents formulated for domestic dishwashers.

Refer to the manufacturer's packaging as to whether Tab products are suitable for the water hardness level in your area.


Please note that the cleaning and drying results of Tab detergents can vary greatly.

For optimum cleaning and drying results, use Miele dishwasher detergent and add Miele salt and Miele rinse aid separately. See "Optional accessories."

Detergent dosage

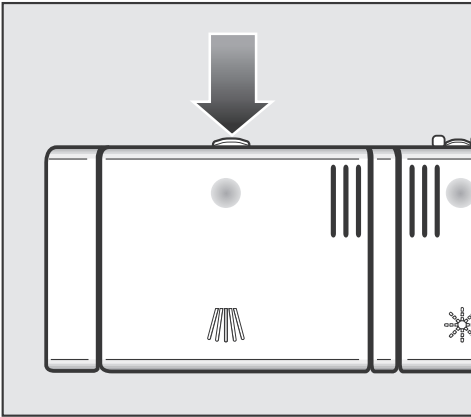
- Follow the dosage recommended by the manufacturer on the packaging.
- Unless directed otherwise, use one detergent tab or add 1 1/4 - 2 table-spoons (20 - 30 ml) detergent to compartment II, depending on the level of soiling. With very heavy soiling you can also add a small amount of detergent to compartment I.
- Tabs may not dissolve completely when the Express program (if available) is used.

Use only the recommended amount of detergent. Continued use of too much detergent may cause machine damage.

 Dishwasher detergents can cause burning in the nose, mouth, and throat if swallowed, or inhibit breathing.

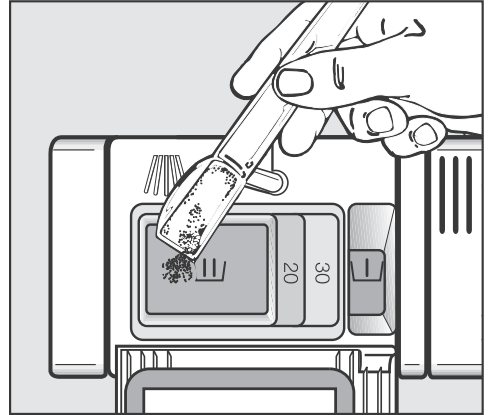
Avoid inhaling or swallowing dishwasher detergent. Keep children away from detergent. Keep detergent out of the reach of children. Keep children away from the dishwasher when the door is open. There could still be detergent residues in the dishwasher. Only add detergent just before starting the program and lock the door with the child safety lock (depending on model).

Adding detergent



- Press the opening catch on the detergent dispenser. The flap will spring open.

The flap is always open at the end of a program.



- Add the required amount of detergent and close the flap.
- Make sure that the detergent packaging is properly closed after use to avoid it getting damp and becoming lumpy.

Dispensing aid


Compartment I holds a maximum of 2 teaspoons (10 ml),

Compartment II holds a maximum of 3.5 tablespoons (50 ml) of detergent.

The marks in compartment II indicate the levels of approximately 1 ¼ and 2 tablespoons (20 and 30 ml) respectively. The marks indicate the approximate fill level in ml when the door is open in a horizontal position.

Operation

Turning on

- Turn on the water supply if it is turned off.
- Open the door.
- Make sure the spray arms are not obstructed.
- Press the  button for at least 2 seconds.


The program selected will appear briefly in the display and the appropriate indicator light will come on.

Then, the display will show the estimated program duration for the program selected.


Selecting a program



Choose your program according to the type of load and the degree of soiling.

The different programs and their uses are described in the **Program Overview** chapter.



- Use the program selection button  to select the program required.

The indicator light of the selected program will come on.

Additional programs can be selected using the *Additional*  option.

- Use the program selection button  to select the *Additional*  option.

The first of the additional programs will appear in the display.

- Use the   arrow buttons to select the program required.

During the course of the program, you can use *OK* to display the name of the program which is currently running.

You can now select program options (see "Options").

If any program options are selected, the appropriate indicator lights will also light up.

Starting a program

- Start the program by closing the door within four seconds of the last press of a button.

The program will begin.

The Optical Interface comes on to show that a program has been started.

If you do not close the door within four seconds, the indicator light of the selected program will flash and the message *Press OK to start* will appear in the display.





The program cannot be started until you press the *OK* button and close the door within four seconds.

A program should only be canceled in the first few minutes, if at all. Otherwise important program stages could be omitted.

Time display

The estimated duration of the program selected appears in hours and minutes in the display before the program begins. During the program, the time left until the end of the program is displayed.

Each program stage is indicated by a symbol:

-  Pre-wash / Soak
-  Main wash
-  Interim rinse
-  Final rinse
-  Drying
-  Finish

The program duration displayed may vary with the same program. It is influenced by, among other things, the water temperature at each intake, the re-activation process, the type of detergent, the amount of dishware, and the amount of soiling.

When a program is selected for the first time, the display shows an average time for a cold water intake.


The times shown in the program overview refer to standard test loads and temperatures.

Each time a program is run, the electronic module calculates the program duration required according to the temperature of the water taken into the dishwasher and the amount of dishware.

Operation

Energy management


To save energy, the dishwasher will switch off automatically 10 minutes after the last time a button has been pressed or after the end of the program (see "Settings menu - Optimize standby").

- Press the  button to switch the dishwasher back on.

The dishwasher will not switch off while a program or the FlexiTimer is running or if there is a fault.

At the end of the program

At the end of a program, the Optical Interface will be visible flashing slowly with the door shut. The buzzer might also be sounding.


The program has finished when  End appears in the display and the door has opened slightly (if applicable).

The drying fan may continue to run for a few minutes at the end of the program.

- Open the door fully so that the door catch rail retracts again.

You can now empty the dishwasher.

The Optical Interface will go out 10 minutes after the end of the program if the door is closed.

 If you have deactivated the automatic door opening function (see "Settings menu - AutoOpen"), but would still like to open the door at the end of the program, make sure that you open the door fully. Otherwise steam from the dishwasher could damage the edge of the counter because the fan is no longer running.

Turning off

At the end of a program:

- Open the door.
- The dishwasher can be switched off at any time using the ⓪ button.

Turning the dishwasher off during a program stops the program.

Turning the dishwasher off during the run-up to a delay start time (FlexiTimer) will also stop the process.

If the dishwasher is not going to be used for a longer period of time, e.g., while on vacation, the water supply should be closed.

Unloading the dishwasher

Dishes tend to break and chip more easily when they are hot. Allow the dishes to cool until they are comfortable enough to handle before unloading them.

The dishes will cool much faster if you open the door when the program has ended.

First unload the lower basket, then the upper basket, and finally the cutlery tray (depending on model).

This will prevent water drops from the upper basket and cutlery tray from falling onto the dishes in the lower basket.

Operation


Interrupting a program

The program will be interrupted as soon as you open the door.

After four seconds, the indicator light of the selected program will flash and the message *Continue with OK* will appear in the display.

- Press the *OK* and close the door within four seconds.

The program will continue from the point at which it was interrupted.

 Water in the dishwasher may be hot. Danger of scalding!

Only open the door if absolutely necessary and exercise extreme caution when doing so. Before closing the door again, leave it ajar for approx. 20 seconds. This will enable the temperature in the wash cabinet to settle. After that, press the *OK* and close the door within four seconds.

Changing a program

If the detergent dispenser flap has already opened, do not change the program.

If a program has already started and you wish to change it, proceed as follows:

- Open the door.
- Turn the dishwasher off with the ① button.
- Turn the dishwasher on again with the ① button.
- Select the desired program.
- Start the program by closing the door within four seconds.

The Optical Interface comes on to show that a program has been started.

Options

You can select and deselect the options using the appropriate buttons and the display.

- Open the door.
- Turn the dishwasher on with the ① button.

The indicator light next to the program selected will come on.

- Select a program.
- Press the button for the option you want.

The indicator light for the relevant button will come on if the option is available for the program selected.

If the option is not compatible with the program selected, a message to this effect will appear in the display.

- In this instance, confirm the message with *OK*.
- Start the program by closing the door.

The option selected will remain active for that particular program until the setting is changed.

Short

The *Short* option reduces the duration of programs in which this option is available by up to 30%.

In order to achieve optimum cleaning results, energy consumption may increase slightly with this option.

When used in combination with the Rapid program, the *Short* option results in a wash program without drying or automatic opening of the door (if available).


Extra economical

The *Extra Economical* option reduces the energy consumption of programs in which this option is available by up to 20%.

In order to achieve optimum cleaning results, the program duration is extended with this option.

Options



FlexiTimer with EcoStart


The FlexiTimer  gives you three ways of starting the program by means of delaying the start. You can set the start time or the finish time of a program.


You also have the option of taking advantage of time variable economy rates of electricity using the EcoStart function.

When using the delay start function, make sure that the detergent compartment is dry before adding detergent. Wipe dry with a cloth if necessary. If the compartment is wet, powder detergent can become lumpy and stick to the dispenser, with the result that it is not fully dispensed.

Do not use liquid detergent when selecting delay start, as it can run into the dishwasher before it is required.

- Open the door.
- Switch the dishwasher on with the  button.
- Select the desired program.
- Press the  button.

The  indicator light will light up.

You can use the ∇/\wedge arrow buttons to select the Start at, Finish at, or EcoStart function or Back .

- Confirm selection of the function you want with OK.

The set time will appear and the hour number block will be highlighted.

You can now enter the time you want using the ∇/\wedge arrow buttons and confirm with OK.

If, while you are setting the time, you do not press any buttons for several seconds, the display will revert to the previous menu. You will then have to enter your settings again.

If you open the door for more than four seconds before the start time is reached, the message Continue with OK appears in the display. Press the OK button and close the door within four seconds to restart the FlexiTimer.

Start at

With the *Start at* function, you set the exact time at which you want the program to start.

- Use the ∇/\wedge arrow buttons to set the hour and confirm with *OK*.

The hour will be saved and the minute number block will be highlighted.

- Use the ∇/\wedge arrow sensors to set the minutes and confirm with *OK*.

The saved start time for the program selected will appear in the display. The \oplus indicator light will come on.

- Close the door within four seconds.

When the set time is reached, the program selected will begin automatically.

Finish at

With the *Finish at* function, you set the time at which you wish the program to end.

- Use the ∇/\wedge arrow buttons to set the hour and confirm with *OK*.

The hour will be saved and the minute number block will be highlighted.

- Use the ∇/\wedge arrow sensors to set the minutes and confirm with *OK*.

The estimated start time for the program selected will appear in the display. The \oplus indicator light will come on.

- Close the door within four seconds.

A message will appear in the display if the program cannot be completed by the set finish time because it has too long a running time.

The program will start automatically when the estimated start time is reached.

Options

EcoStart

The EcoStart function allows you to take advantage of time variable economy rates of electricity. Before you can use this option, you must set up to three electricity rate time zones (see "Settings menu - EcoStart").

You then set the latest time at which the program selected should end.

The dishwasher will start automatically in the cheapest rate zone within the time set.

- Use the \vee/\wedge arrow buttons to set the hour and confirm with *OK*.

The hour will be saved and the minute number block will be highlighted.

- Use the \vee/\wedge arrow sensors to set the minutes and confirm with *OK*.

The estimated start time for the program selected will appear in the display. The \odot indicator light will come on.

- Close the door within four seconds.

The selected program will start automatically during the most cost effective time zone. It will finish at the latest by the set finish time.

Changing or deleting set times

You can change the set times or the program before the start time in the display is reached.

- Open the door.
- Press the \odot button.
- Use the \vee/\wedge arrow buttons to select the setting you want to change and confirm with *OK*.
- Use the \vee/\wedge arrow buttons to select the *Change* or *Delete* function and confirm with *OK*.

After confirming the *Change* function, you can change the set time.

After confirming the *Delete* function, the program duration will appear in the display for the selected program.

The \odot indicator light will go out and the indicator light for the selected program will come on.

- Start the program by closing the door.

If you open the door for more than four seconds before the start time is reached, the message *Continue with OK* appears in the display. Press the *OK* button and close the door within four seconds to restart the FlexiTimer.

Program overview

Program	When to use	Program sequence				
		Pre-wash	Main wash	Interim rinse	Final rinse	Drying
Normal	Program for regular use to completely wash a full load of normally soiled dishware with the ability to adjust energy and water consumption based on the soil load of the dishware.	If required	X	If required	X	X
Pots & Pans	For heavily soiled dishware and normally soiled pots, pans and utensils with dried on residue; use 20% more detergent than recommended.	2X	X	X	X	X
China & Crystal	GlassCare program for temperature-sensitive glasses and dishes with light soiling. Use 50% of the detergent amount.	X	X	X	X	X
SaniWash	To sanitize dishware, e.g. baby bottles, cutting boards and preparation dishware.		X	2X	X	X
Express	"Quick program" for lightly soiled dishware, e.g. party dishware or to remove salt traces from the wash cabinet after refilling salt; not suitable for detergent tabs.		X	X	X	X

Program overview

Program	When to use	Program sequence				
		Pre-wash	Main wash	Interim rinse	Final rinse	Drying
Pre-wash	To rinse dishes when a complete program is not needed.	X				
Extra Quiet	Extra quiet program for mixed loads with standard, slightly dried-on food residue with a longer program duration.		X	X	X	X
Grates and filters	Wash program for cleaning Miele grates, the Miele griddle plate, and Miele range hood filters.	X	X	X	X	X
Clean Machine	Special cleaning program to remove grease deposits from the dishwasher.		X	2X	X	X

Consumption: The consumption values refer to a hot-water connection.

Electric power: 0.01 - 1.5 kWh

Water: 1.1 - 5.7 gal. (4 - 21.6 l)

Adjusting default values

Opening the Settings menu

- Open the door.
- Switch the dishwasher off with the ① button if it is switched on.
- Press and hold the *OK* button.
- Switch the dishwasher on with the ① button. Release this button as soon as the background lighting lights up in the display. Keep the *OK* button pressed for at least 4 seconds.

The first option in the Settings menu will appear in the display.

To learn about the display, read the section with the same name.

- Use the \vee/\wedge arrow buttons underneath the display to select the option you want to change and confirm your selection with *OK*.

Sub-menu options which have already been selected will have a check \checkmark beside them.


- To exit a sub-menu, use the \vee/\wedge arrow buttons to select *Back* \leftarrow and confirm with *OK*.

The display will revert to the menu above.


Settings menu


Language

The display can be set to appear in one of several different languages.

You can change the language in the display via the Language  sub-menu.

- Select the language you want as well as the country, if appropriate, and confirm with *OK*.

The flag after the word Language  acts as a guide if a language which you do not understand has already been set.

If this is the case, keep selecting the option which has a flag after it until you reach the Language  sub-menu.

Time of day

You can select either a 24-hour or 12-hour clock.

The current time of day must be set before you can use the "FlexiTimer" program option.

Setting the clock format

- Select the Clock format option.
- Select the setting you want and confirm with *OK*.

Setting the clock

- Select the Set option.
- Set the hour with the \vee/\wedge arrow buttons and confirm with *OK*.
Then set the minutes and confirm with *OK*.

The time of day has now been saved.

Water hardness

This appliance is fitted with a water softener.

The dishwasher must be programmed for the water hardness in your area.

- The dishwasher must be programmed for the water hardness in your area.
 - Your local water supplier can tell you the water hardness level in your area.
 - Where the water hardness fluctuates e.g. between 10 - 16 gr/gal (10 - 15 °d), always program the dishwasher to the higher value (16 gr/gal or 15 °d in this example).
- Select the water hardness level for your area and confirm your selection with OK.

A check ✓ will appear beside the water hardness which has been set.

°d	gr/gal	°f	Display
1	1	2	1
2	2	4	2
3	3	5	3
4	4	7	4
5	5	9	5
6	6	11	6
7	7	13	7
8	8	14	8
9	9	16	9
10	10	18	10

°d	gr/gal	°f	Display
11	11	20	11
12	13	22	12
13	14	23	13
14	15	25	14
15	16	27	15
16	17	29	16
17	18	31	17
18	19	32	18
19	20	34	19
20	21	36	20
21	22	38	21
22	23	40	22
23	24	41	23
24	25	43	24
25	26	45	25
26	27	47	26
27	28	49	27
28	29	50	28
29	30	52	29
30	31	54	30
31	32	56	31
32	33	58	32
33	34	59	33
34	35	61	34
35	36	63	35
36	38	65	36
37-45	39--47	66-80	37-45
46-60	48-63	82-107	46-60
61-70	64-73	109-125	61-70

Settings menu

Rinse aid

You can adjust the rinse aid dosage for best results.

The rinse aid dosage is set in stages from 0 to 6.

It is set to 3 at the factory.

The dosage can turn out to be higher than the set value due to the automatic adjustment of the *Automatic* program.

If spots appear on dishware and glassware:

- Increase the rinse aid dosage.

If clouding or smearing appears on dishware and glassware:

- Decrease the rinse aid dosage.

- Select the setting you want and confirm your choice with *OK*.

EcoStart

In order to run your dishwasher in the most economical way, you can use the **EcoStart** option to take advantage of your electricity supplier's time variable rates (see "Options - FlexiTimer with EcoStart").

With this option selected, your dishwasher will start automatically at your electricity supplier's cheapest rate times.

To use this option, you must first set up to three electricity rate time zones in which the dishwasher can start. You can allocate different priorities to these time zones. The time with the cheapest electricity rate will be given Priority 1.

Contact your electric supplier to find out the times of the cheapest electricity rates.

Once the electricity rate times have been set, you can use the **EcoStart** option to set the latest finish time required for each program.

The dishwasher will then start automatically in the cheapest electricity rate time and the program will end at the latest at the finish time set.

Setting the electricity rate times

Before you can use the EcoStart option, you must set at least one electricity rate time.

- Use the \vee/\wedge arrow buttons to select the electricity rate time (R1-R3) you want to set and confirm with *OK*.

The start of the electricity rate time selected will appear in the display and the hour number block will be highlighted.

- Use the \vee/\wedge arrow buttons to set the hours and minutes for the start time and confirm both with *OK*.

The end of the electricity rate time selected will appear in the display and the hours number block will be highlighted.

- Use the \vee/\wedge arrow buttons to set the hours and minutes for the end time and confirm both with *OK*.

The electricity rate time will be saved and its priority will appear in the display.

- Use the \vee/\wedge arrow buttons to set the priority you want and confirm with *OK*.

- Confirm the message with *OK*.

The electricity rate time will be activated.

Changing the electricity rate times

You can change the start, finish or priority of an electricity rate time.

- Use the \vee/\wedge arrow buttons to select the electricity rate time (R1-R3) you want to change and confirm with *OK*.
- Select the setting you want to change and confirm with *OK*.
- Use the \vee/\wedge arrow buttons to change the setting and confirm with *OK*.
- Confirm the message with *OK*.

The change will be saved.

Settings menu

Deleting the electricity rate times

- You can delete the settings for an electricity rate time and in doing so deactivate the *EcoStart* option for this time zone.
- Use the ∇/\wedge arrow buttons to select the electricity rate time (R1 - R3) you want to delete and confirm with *OK*.
- For example, select *Delete R1* and confirm with *OK*.
- For example, select *Delete R1?* and confirm with *OK*.

The settings for the electricity rate time selected will be reset.

- Confirm the message with *OK*.

The electricity rate time has now been deleted.


AutoOpen

At the end of programs with a drying phase (except *Extra Quiet*) the door will open automatically a little in order to help the drying process (see "Program overview").

In the *ECO* program (depending on mode), the door will open automatically during the drying phase.

This function can be deactivated if wished.

- Select the setting you want and confirm with *OK*.

 If you have deactivated the automatic door opening function and would like to open the door as soon as the program has finished, make sure that you open the door fully. Otherwise steam from the dishwasher could damage the edge of the counter because the fan is no longer running.

Optimize Standby

The dishwasher is supplied with the Optimize standby function switched on as standard.

To save energy, the dishwasher will switch off automatically a few minutes after the last time a button has been pressed or after the end of a program.

The dishwasher will not switch off in the event of a fault.

Optimize Standby can be switched off if you prefer. If you do this the duration before the dishwasher switches off automatically increases to 6 hours. Doing this will increase energy consumption.

- Select the setting you want and confirm with *OK*.

Refill indicators

If you consistently use a Tab detergent and the refill indicators for salt and rinse aid are bothering you, you can deactivate them if you wish.

- Select the setting you want and confirm with *OK*.

If you switch to using detergent that does not contain salt or rinse aid, it is important to remember to add dishwasher salt and rinse aid and to switch the indicators back on.

Settings menu

Check filters

You can adjust the interval at which the message to remind you to check the filters appears.

You can set an interval between 30 and 60 program cycles.

The "Check filters" message is set at the factory to appear after every 50 program cycles.

- Select the interval you want and confirm this with *OK*.

Soak

You can use this function to loosen dried-on food residues in the program selected.

Once activated, this function will be carried out with all programs until you deactivate it.

If you are using powder dishwasher detergent, add approx. 5 g to compartment I.

- Select the setting you want and confirm with *OK*.

Pre-Rinse

You can use this function to remove easily loosened food residues in the program selected.

Once activated, this function will be carried out with all programs until you deactivate it.

- Select the setting you want and confirm with *OK*.

Brightness

There are seven different display brightness settings.

- Select the brightness you want and confirm this with *OK*.

Volume

A sequence of buzzer tones will sound at the end of the program or if there is a fault as long as the buzzer has been activated.

Buzzer in the event of a fault

The buzzer in the event of a fault will sound four times at intervals with a short pause between each set of tones.

The buzzer which sounds when there is a fault cannot be deactivated.

Buzzer at the end of a program

The buzzer at the end of a program will sound four times at intervals with a short pause between each set of tones.

The volume of the buzzer which sounds at the end of the program can be set to one of seven stages. If no volume is selected, the buzzer is switched off.

- Select the Buzzer tone option.
- Use the ∇/\wedge arrow buttons to set the volume required and confirm your selection with the *OK* button.

Keypad tone

An buzzer tone sounds each time a button is pressed.

The volume of the keypad tone can be set to one of seven stages. If no volume is selected, the keypad tone is switched off.

- Use the ∇/\wedge arrow buttons to set the volume required and confirm your selection with the *OK* button.

Version info

You can call the electronic software version of your dishwasher for technical support purposes.

- Confirm the display with *OK*.

Showroom program

For demonstration purposes only.

The dishwasher is fitted with various demonstration programs for showroom use.

- Demo mode
Demonstration program for showrooms.
- Demo with sound
This program activates the circulation pump to demonstrate the sound of the dishwasher.
- Demo Drying Plus
The door will open automatically.
- BrilliantLight
The interior lighting is on constantly.

Settings menu

Factory default settings

You can reset all settings to the factory default settings.

- Select `Reset` and confirm with *OK*.


Closing the Settings menu

You can exit the Settings menu using `Close`.

- Select `Close` and confirm with *OK*.

The program selected will appear in the display briefly and the indicator light for the program selected will come on.

Check and clean your dishwasher regularly. This will help avoid problems and faults.

 All surfaces are susceptible to scratching. Contact with unsuitable cleaning agents can alter or discolor all surfaces.

Cleaning the wash cabinet

Generally, the wash cabinet is self cleaning if the correct amount of detergent is used.

If, however, there are lime scale or grease deposits in the cabinet, these can be removed with a special dishwasher cleaner (see "Optional accessories"). Follow the instructions on the packaging.

If you mainly use low temperature programs (< 120°F/50 °C), there is a risk of bacteria and unpleasant odors building up in the wash cabinet. To prevent this happening the dishwasher will automatically increase the temperature in the final rinse of the selected program after several programs using low temperatures have been run.

- Clean the filters in the wash cabinet regularly.

Cleaning the door and the door seal

Bacteria could build up on the door seal and the sides of the dishwasher door as these surfaces are outside the wash cabinet and are not accessed and cleaned by the spray arm jets.

- Wipe the door seals regularly with a damp cloth to remove food deposits.
- Wipe off any food or drink residues which may have dripped onto the sides of the dishwasher door before closing it.

Cleaning the control panel

- The control panel should **only** be wiped with a damp cloth.


Cleaning the indicator reflector panel

The indicator reflector panel for the Optical Interface / TimeControl function (depending on model) is situated in the cover plate underneath the counter.


- The indicator reflector panel should only be wiped with a damp cloth or a suitable cleaning agent designed for use on plastic.

Cleaning and care

Cleaning the door front

 If soiling remains longer, it may happen that the surfaces can become discolored or changed. Remove any soiling immediately.

- Clean the front with a solution of warm water and a little dishwashing liquid applied with a soft sponge. Wipe the surfaces dry using a soft cloth.

 Glass cleaners may be used to clean the exterior. However **do not** allow them to sit or "puddle", this can cause damage to the surface. **Remove the cleaner promptly.**

To better maintain your appliance avoid the following:

- Cleaning products containing soda, ammonia, acid, or chloride
- Descaling agents
- Abrasive cleaning products, such as scouring powder, scouring liquid, or pumice stones,
- Cleaners containing solvents
- Stainless steel cleaners
- Dishwasher cleaner
- Oven cleaners
- Glass cleaner
- Hard, abrasive brushes or sponges, e.g., pot scourers, brushes or sponges which have been previously used with abrasive cleaning agents
- Eraser sponges
- Sharp metal scrapers
- Steel wool
- Steam cleaning appliances

Filter system

The filter system in the base of the wash cabinet prevents food from being redeposited on dishes. It also protects the circulation pump from damage caused by foreign objects.

⚠ This dishwasher must not be used without all the filters in place!

Collection of coarse soil may cause the filters to clog. The level of soiling and time it takes before the filters need cleaning will vary depending on use.

The message *Check filters* will appear in the display after every 50 program cycles (factory default setting).

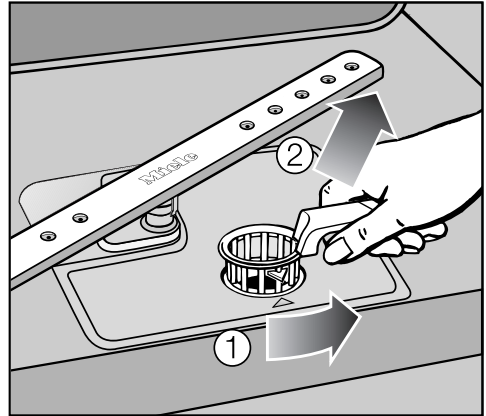
You can set the interval for the "Check filters" message to appear to a value between 30 and 60 program cycles (see "Settings menu - Check filters").

- Check the filter system.
- Clean it if necessary.
- Then confirm the message with *OK*.

The message will go out.

Filter system

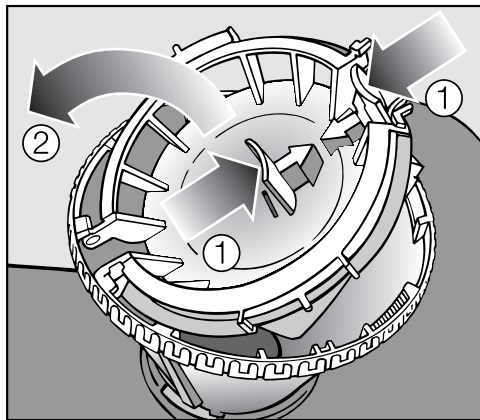
- Turn the dishwasher off.



- Turn the handle counter-clockwise to release the filter system ①.
- Lift the filter system out of the dishwasher ②. Remove any coarse particles and rinse the filter well under running water. Use a nylon brush if necessary.

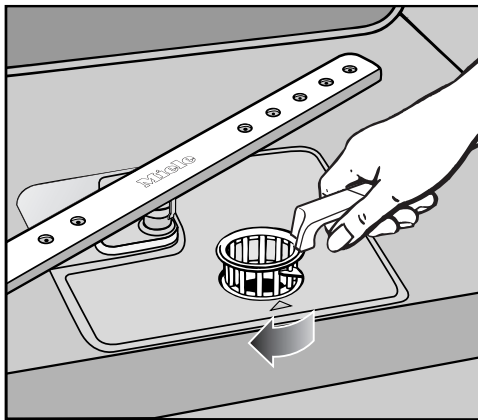
⚠ Ensure that coarse soil does not get into the circulation system and cause a blockage.

Cleaning and care



To clean the inside of the filter, the flap must be opened:

- Press catches ① together in the direction of the arrows as shown, and open the filter ②.
- Rinse all the filters under running water.
- Then close the flap so that the catch engages.



- Replace the filter system so that it lies flat in the base of the wash cabinet.
- Then turn the handle clockwise until both arrows point towards each other. This will lock the filter system in place.

⚠ Take care when you are fitting the filter system that it is secured in position correctly. Otherwise coarse soil could get into the circulation system and cause a blockage.

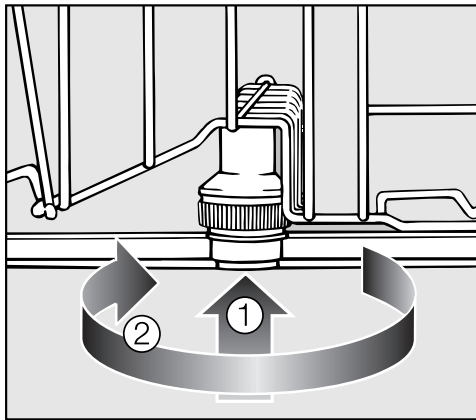
Cleaning the spray arms

Particles of food can get stuck in the spray arm jets and bearings. The spray arms should therefore be inspected and cleaned regularly (approx. every 4 - 6 months).

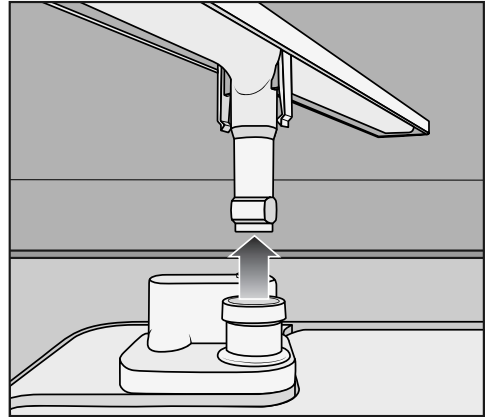
- Turn the dishwasher off.

Remove the spray arms as follows:

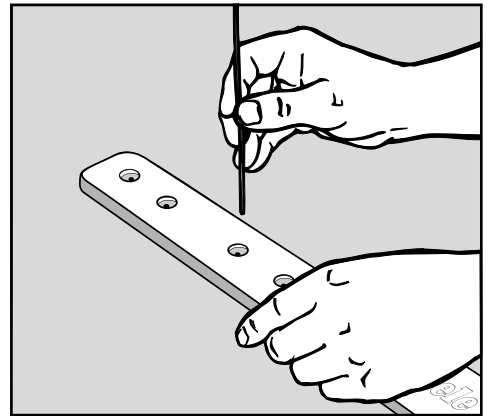
- Take out the cutlery tray (if your dishwasher is fitted with one).
- Push the **top** spray arm upwards to engage the inner ratchet. Then unscrew the spray arm.



- Push the **middle** spray arm upwards ① to engage the ratchet. Then unscrew the spray arm ②.
- Remove the lower basket.



- Pull the **lower** spray arm firmly upwards to remove it.




- Use a pointed object to push the food particles that are stuck in the spray arm jets into the spray arm.
- Rinse the spray arms thoroughly under running water.
- Replace the spray arms and check that they rotate freely.

Frequently Asked Questions


With the help of the following guide, minor faults in the performance of the appliance, some of which may result from incorrect operation, can be put right without contacting Miele Service. This will save time and money.

The following guide may help you to find the reason for a fault, and to correct it. You should, however, note the following:

 Unauthorized or incorrect repairs could cause personal injury or damage to the appliance.

Repair work to electrical appliances must only be carried out by a suitably qualified and competent person in strict accordance with current local and national safety regulations. The manufacturer cannot be held liable for unauthorized work.




Technical problems

Problem	Possible cause and solution
The dishwasher does not start.	The door is not properly closed. ■ Push the door firmly shut.
	The dishwasher is not plugged in. ■ Insert the plug.
	The circuit breaker has tripped. ■ Reset the fuse (see data plate for the correct fuse rating).
	The dishwasher is not switched on. ■ Turn the dishwasher on with the  button.
The dishwasher stops during a program.	The circuit breaker has tripped. ■ Reset the fuse (see data plate for the correct fuse rating). ■ If the circuit breaker trips again, contact Miele Service.
After the program has started, the Optical Interface is not visible.	The indicator reflector panel was not correctly fitted. ■ Refit the indicator reflector panel correctly (see the installation plan).





Frequently Asked Questions

Problem	Possible cause and solution
The door locking pins do not retract after the door has opened automatically.	<p>There is a fault with the door mechanism or the door has not been correctly balanced.</p> <ul style="list-style-type: none">■ Contact Miele Service. <p>The AutoOpen function must be switched off before the dishwasher is used again (see "Settings - AutoOpen"). Danger of injury in the unlikely event of another fault.</p>

Frequently Asked Questions


Problem	Possible cause and solution
<p>The Optical Interface is flashing quickly. The buzzer is sounding. One of the following faults appears in the display:</p>	<p>Before fixing the fault:</p> <ul style="list-style-type: none"> ■ Turn the dishwasher off with the ⏻ button.
<p> Fault FXX</p>	<p>There may be a technical fault.</p> <p>After a few seconds:</p> <ul style="list-style-type: none"> ■ Turn the dishwasher back on. ■ Select the desired program. ■ Close the door. <p>If the error message is displayed again, there is a technical fault.</p> <ul style="list-style-type: none"> ■ Contact Miele Service.
<p> Waterproof</p>	<p>The WaterProof System has reacted.</p> <ul style="list-style-type: none"> ■ Turn off the water supply. ■ Contact Miele Service.
<p> Fault F78</p>	<p>A fault has occurred in the circulation pump.</p> <ul style="list-style-type: none"> ■ Turn the dishwasher off for at least 30 seconds with the ⏻ button. ■ Turn the dishwasher back on. ■ Select the desired program. ■ Close the door. <p>If the error message is displayed again, there is a technical fault.</p> <ul style="list-style-type: none"> ■ Contact Miele Service.

Water intake fault


Problem	Possible cause and solution
<p>The Optical Interface is flashing quickly. The buzzer is sounding. One of the following faults appears in the display:</p>	
<p> Open water supply</p>	<p>The water supply is turned off.</p> <ul style="list-style-type: none"> ■ Turn on the water supply all the way.
<p> Intake</p>	<p>Before fixing the fault:</p> <ul style="list-style-type: none"> ■ Turn the dishwasher off with the  button. <p>There is a problem with the water intake.</p> <ul style="list-style-type: none"> ■ Turn on the water supply fully and start the program again. ■ Clean the water intake filter (see "Frequently asked questions"). ■ The water pressure at the intake is lower than 4.35 psi. Contact a plumber.
<p>The following message appears in the display during the Energy Saver program:  Intake temp. low</p>	<p>The intake water has not reached the required temperature of 120°F (45°C) (see "Water connection - Water intake").</p> <ul style="list-style-type: none"> ■ Start the program again. ■ If the fault message appears again, select a different program.

Frequently Asked Questions

Water drainage fault

Problem	Possible cause and solution
<p>The Optical Interface is flashing quickly. The buzzer is sounding. The following fault appears in the display:  Drain</p>	<p>Before fixing the fault:</p> <ul style="list-style-type: none">■ Turn the dishwasher off with the ⏻ button. <p>There is a problem with the water intake. There might be water in the wash cabinet.</p> <ul style="list-style-type: none">■ Clean the filter system (see "Cleaning and care - Filter system").■ Clean the drain pump (see "Frequently asked questions").■ Clean the non-return valve (see "Frequently asked questions").■ Remove any kink or loop in the drain hose.

General problems

Problem	Possible cause and solution
<p>The Optical Interface is flashing quickly. The warning buzzer is sounding. The indicator light of the selected program and the message Continue with OK will appear in the display. The dishwasher does not start or the Flexi-Timer stops running.</p>	<p>The safe mode of the dishwasher was activated.</p> <p>The following takes place:</p> <ul style="list-style-type: none"> – If you do not close the door within four seconds of the last press of a button at program start – If the door is open for longer than four seconds during a program or within the delay start time <p>■ Press the <i>OK</i> and close the door within four seconds.</p>
<p>Detergent residue is left in the dispenser at the end of a program.</p>	<p>The dispenser was still damp when detergent was added.</p> <p>■ Make sure the dispenser is dry before adding detergent.</p>
<p>The dispenser cover cannot be closed.</p>	<p>Detergent residue is blocking the latch.</p> <p>■ Remove the detergent residue.</p>
<p>The inside of the door and/or the interior walls are wet after a program has finished.</p>	<p>This is caused by the drying system and does not indicate a fault. The moisture will dissipate after a while.</p>
<p>Water remains in the wash cabinet at the end of a program.</p>	<p>Before fixing the fault:</p> <p>■ Turn the dishwasher off with the  button.</p> <p>The filter system in the wash cabinet is clogged.</p> <p>■ Clean the filter system (see "Cleaning and care - Filter system").</p> <p>The drain pump or non-return valve is blocked.</p> <p>■ Clean the drain pump or the non-return valve (see "Frequently asked questions").</p> <p>The drain hose is kinked.</p> <p>■ Remove the kink.</p>

Frequently Asked Questions

Noises

Problem	Possible cause and solution
There is a knocking noise in the wash cabinet.	A spray arm is hitting the dishware. ■ Interrupt the program, and rearrange the items which are obstructing the spray arm.
There is a rattling noise in the wash cabinet.	Dishware is moving around in the wash cabinet. ■ Interrupt the program and rearrange loose pieces.
	A foreign object (e.g., a cherry pit) has become lodged in the drain pump. ■ Remove the foreign object from the drain pump (see "Maintenance - Cleaning the drain pump and non-return valve").
There is a knocking noise from the water pipe	This may be caused by the installation or the diameter of the water pipe. ■ This has no influence on dishwasher function. If in doubt, contact a suitably qualified plumber.

Frequently Asked Questions

Poor cleaning results

Problem	Possible cause and solution
The dishes are not clean.	The dishes were not loaded correctly. ■ See notes in "Loading the dishwasher".
	The program was not powerful enough. ■ Select a more intensive program (see "Program overview").
	Not enough detergent was dispensed. ■ Use more detergent, or change your detergent.
	Items are blocking the path of the spray arms. ■ Rearrange the items so that the spray arms can rotate freely.
	The filter system in the base of the wash cabinet is not clean or is not correctly fitted. This may cause the spray arm jets to get blocked. ■ Clean and/or fit the filter system correctly. ■ Clean the spray arm jets if necessary (see "Cleaning and care - Cleaning the spray arms").
	The non-return valve is open and blocked. Dirty water has flowed back into the wash cabinet. ■ Clean the drain pump and the non-return valve (see "Frequently asked questions").
Smearing appears on glassware and cutlery. There is a bluish sheen on the surface of glassware; film can be wiped off.	The rinse aid dosage is set too high. ■ Reduce the dosage (see "Settings menu - Rinse aid").

Frequently Asked Questions

Problem	Possible cause and solution
Dishware is not dry or cutlery and glasses are spotty.	The rinse aid dosage is set too low or the rinse aid reservoir is empty. ■ Replenish the reservoir, increase the dosage, or change the brand of rinse aid (see "Before using for the first time - Rinse aid").
	Dishware was taken out of the cabinet too soon. ■ Leave it in for longer (see "Operation").
	Combination tabs have been used which have impaired drying performance. ■ Change your detergent, or replenish the rinse aid (see "Before using for the first time - Rinse aid").
Glasses have a brownish-blue discoloration; the deposit cannot be wiped off.	Detergent deposits. ■ Switch to another detergent.
Glasses are dull and discolored; the deposit cannot be wiped off.	The glassware is not dishwasher-safe. The surfaces are affected. ■ There is no remedy. Purchase glassware which is dishwasher-safe.
Tea or lipstick stains have not been completely removed.	The wash temperature of the selected program was too low. ■ Select a program with a higher wash temperature.
	The bleaching effect of the detergent is too low. ■ Switch to another detergent.
Plastic parts are discolored.	Natural dyes, e.g., from carrots, tomatoes, or ketchup may be the cause. The amount of detergent used or its bleaching effect was not sufficient to deal with natural dyes. ■ Use more detergent (see "Operation - Detergent"). Discoloration is irreversible.

Frequently Asked Questions

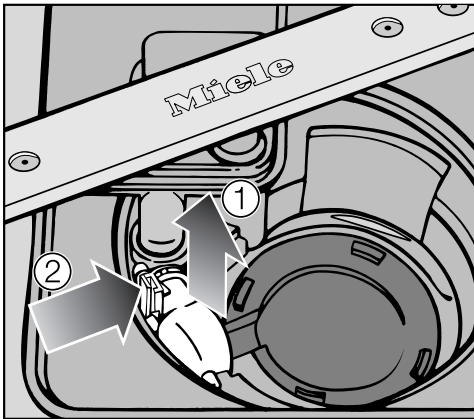
Problem	Possible cause and solution
<p>White residue is visible on dishware and cutlery, clouding occurs on glassware; this film can be wiped off.</p>	<p>The rinse aid dosage is too low.</p> <ul style="list-style-type: none"> ■ Increase the dosage (see "Settings menu - Rinse aid").
	<p>The salt reservoir is empty.</p> <ul style="list-style-type: none"> ■ Fill the salt reservoir (see "Before using for the first time - Dishwasher salt").
	<p>The salt reservoir cap has not been screwed on correctly.</p> <ul style="list-style-type: none"> ■ Replace it, making sure that it screws back on correctly.
	<p>An unsuitable Tab detergent has been used.</p> <ul style="list-style-type: none"> ■ Change your detergent.
	<p>The water softener is programmed to too low a water hardness level.</p> <ul style="list-style-type: none"> ■ Program the water softener to a higher water hardness level (see "Settings menu - Water hardness").
<p>There are rust stains on the cutlery.</p>	<p>The affected items are not corrosion resistant.</p> <ul style="list-style-type: none"> ■ There is no remedy. Purchase cutlery which is dishwasher-safe.
	<p>A program was not run after dishwasher salt was added. Traces of salt have got into the wash cycle.</p> <ul style="list-style-type: none"> ■ Always run the <i>Express</i> program with the <i>Short</i> program option selected and without any dishware in the dishwasher after adding dishwasher salt.
	<p>The salt reservoir cap has not been screwed on correctly.</p> <ul style="list-style-type: none"> ■ Replace it, making sure that it screws back on correctly.

Frequently asked questions

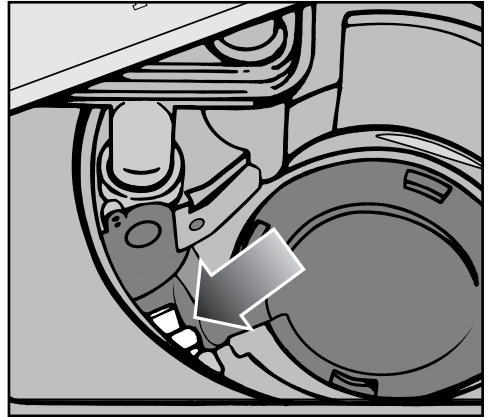
Cleaning the drain pump and non-return valve

If the water has not been pumped away at the end of a program, the drain pump or the non-return valve might be blocked. They are, however, easy to clean.

- Turn off the dishwasher and pull the plug.
- Take the filter system out of the wash cabinet (see "Cleaning and care - Cleaning the filters").
- Scoop the water out of the cabinet using a suitable container or utensil.



- Press the catch for the non-return valve inwards ①.
- Lift the non-return valve up and out ② and rinse well under running water.
- Remove all foreign objects from the non-return valve.



The drain pump is beneath the non-return valve (see arrow).

- Remove all foreign objects from the drain pump (glass or bone splinters). Before returning the non-return valve, check that the drain pump is not blocked. Spin the propeller several times in both directions to check for obstructions.
- Carefully reinsert the non-return valve and secure it with the locking clamp.

⚠ Make sure the locking clamp clicks into place!

⚠ Be careful not to damage any delicate components when cleaning the drain pump and the non-return valve.

Repairs

For problems that you cannot resolve on your own, please contact:

- your Miele dealer or
- Miele Service

The telephone number for Miele is listed at the back of these instructions.

In the event of a fault which you cannot correct yourself please contact the Miele Service Department at the phone number on the back of this booklet.

Warranty

For more information, please refer to the included warranty.

MieleCare (USA only)

MieleCare, our Extended Service Contract program, gives you the assurance of knowing that your appliance investment is covered by 5 years of worry free ownership.

MieleCare is the only Extended Service Contract in the industry that guarantees repairs by a Miele Authorized Service Provider using genuine Miele parts. Only genuine Miele parts installed by factory trained professionals can guarantee the safety, reliability, and longevity of your Miele appliance.

Please note that unless expressly approved in writing by Miele's Service department, Extended Service Contracts offered by other providers for Miele products will not be recognized by Miele. Our goal is to prevent unauthorized (and untrained) service personnel from working on your Miele products, possibly doing further damage to them, you and/or your home.

To learn more about **MieleCare** Extended Service Contracts, please contact your appliance dealer or visit us online at:

<http://www.mieleusa.com>

Optional accessories

Dishwasher detergent and rinse aid, as well as cleaning and care products, are available as optional accessories. All the products are designed for use with Miele dishwashers.

These and many other useful products can be ordered via the Miele website or from Miele (see end of this manual for contact details).

Dishwasher detergent, rinse aid, and salt

When you decided to buy a Miele dishwasher, you chose excellent quality and performance. However, ensuring that your dishwasher always delivers the best possible results will also depend on your choice of dishwasher detergent, rinse aid, and dishwasher salt, as cleaning results can vary depending on the brand used.

With Miele CareCollection products, you can be sure of optimum results as these products have been specially designed for Miele dishwashers.

Detergent tabs

- Sparkling results even with stubborn food deposits
- Combination product with other components such as rinse aid, salt, and glass protection additives
- Phosphate-free - safe for the environment
- Water-soluble wrapping - no need to unwrap

Powder detergent

- With active oxygen for thorough cleaning
- With enzymes which are effective even in low temperature programs
- With glass protection against corrosion

Rinse aid

- For gleaming glasses
- Helps dishware to dry
- With glass protection against corrosion
- Specially designed cap for precise, easy dispensing

Dishwasher salt

- Prevents lime scale on dishware and in the appliance
- Extra coarse-grained

Dishwasher care products

Miele cleaning and care products provide optimum care for your dishwasher.

Dishwasher cleaner

- Cleans the dishwasher effectively and thoroughly
- Removes grease, bacteria, and unpleasant odors
- Ensures excellent dishwashing results

Dishwasher descaler

- Removes heavy lime scale deposits
- Mild and gentle with natural citric acid

Dishwasher conditioner

- Removes odors, lime scale, and light deposits
- Maintains the elasticity and leak tightness of the seals

Dishwasher freshener

- Neutralizes unpleasant odors
- Fresh, pleasant lime and green tea scent
- Easy to attach to the dishwasher basket
- Very economical, lasts for 60 wash cycles

Accessories

Some accessories may be supplied as standard, depending on model.

Cappuccinatore insert

The Cappuccinatore insert can be used for cleaning the individual parts of the Miele Cappuccinatore in the dishwasher.

Cutlery basket

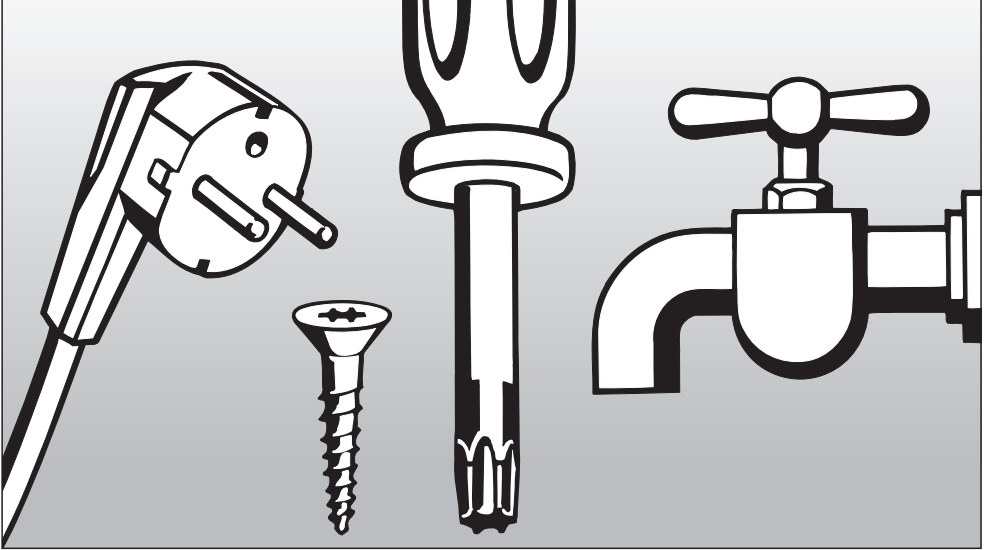
The cutlery basket is placed in the lower basket and can be used to wash additional items of cutlery.

Glassware rack

This rail is designed to hold glasses with stems securely in the lower basket.



Installation Instructions



Please refer to the Installation Diagram supplied with these instructions.
To comply with IEC sound testing protocols, please contact Miele for additional instructions.

Information is subject to change. Please refer to our website to obtain the most current product specification, technical & warranty information.

Electrical connection

Installation, repairs and other work by unqualified persons could be dangerous.

Check that the voltage, frequency and fuse rating shown on the data plate match the household mains supply.

The power outlet must be accessible after installation. Do not use an extension cord to connect the dishwasher to the mains. Danger of overheating! See data plate on the right side of the door.

A damaged power cord must only be replaced with a genuine Miele cord by a Miele service technician.

Improper connection of the equipment grounding conductor can result in electric shock.

Do not modify the plug provided with the appliance; if it will not fit the outlet, have a proper outlet installed by a qualified electrician.

If there is any question concerning the proper electrical connection or grounding of this appliance to the powersupply, please consult a licensed electrician or call Miele's Technical Service Department:

USA: 1-800-999-1360

CDN: 1-800-565-6435

Grounding instructions

THIS APPLIANCE MUST BE GROUNDED.

In the event of a malfunction or breakdown, grounding will reduce the risk of electric shock by providing a path of least resistance for the electrical current. This appliance is equipped with a cord having an equipment grounding conductor and a grounding plug. The plug must be plugged into an appropriate outlet that is installed and grounded in accordance with all local codes and ordinances.

Specifications

The dishwasher comes equipped with a 4 ft (1.2 m) powercord with a molded plug for connection to 120 V, 60 Hz, 15 A grounded receptacle.

Electrical connection

Hardwired electrical connection

It is possible to hardwire this appliance to an existing power cable.

CAUTION: Before servicing, disconnect the power supply by either removing the fuse, shutting off the power main or manually "tripping" the circuit breaker.

Installation work and repairs should only be performed by a qualified technician in accordance with all applicable codes and standards. Repairs and service by unqualified persons could be dangerous and the manufacturer cannot be held responsible.

Before connecting the appliance to the power supply, make sure that the voltage and frequency listed on the data plate correspond with the household electrical supply. This data must correspond to prevent machine damage. Consult an electrician if in doubt.

GROUNDING INSTRUCTIONS

THIS APPLIANCE MUST BE GROUNDED.

This appliance must be connected to a grounded metal, permanent wiring system, or an equipment-grounding conductor must be run with the circuit conductors and connected to the equipment-grounding terminal or lead on the appliance.

Prior to making a hardwire connection to the terminal, remove the powercord. Otherwise there will be a risk of electric shock from the attached plug.

An existing flexible supply cord or cable shall have a minimum thickness of AWG 14.

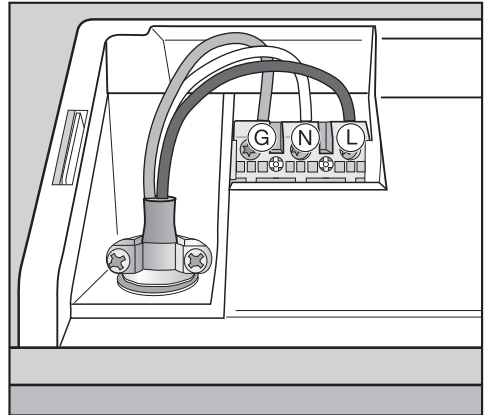
120 V, 60 Hz, 15 A fuse rating

Black wire (live): connect to L

White wire (neutral): connect to N


Green wire (ground): connect to 

After attaching the permanent power supply cord, check that all screws on the terminal block and the strain relief are tightened.



Water connection


Connection to the water supply


 Water in the dishwasher must not be used as drinking water.

- The dishwasher may be connected to a cold or hot water supply up to a maximum of 140°F/60°C. We would only recommend connection to a hot water supply if it is economical, e.g. a solar-powered supply. When connected to a hot water supply, all program stages which would otherwise be carried out with cold water will be carried out with hot water.
- The Energy Saver program (if available) requires a hot water supply between 115°F/45°C (minimum) and 140°F/60°C (maximum). The higher the water intake temperature, the better the cleaning and drying results.
- The intake hose is approx. 4' 11" / 1.5 m long. A 1.5 m long flexible metal extension hose (pressure tested to 2,030 psi) is available as an optional accessory, if required.
- A faucet with a 3/8" male thread must be provided on site.
- This appliance is constructed to comply with ANSI/ASSE 1001 // IEC/EN/DIN 61770 // VDE 0700 Part 600, and may be connected to a suitable supply without an extra non-return valve if national regulations permit.

- Water pressure: Must be between 4.5 - 145 psi (0.3 - 10 bar) If the water pressure is lower than this, the fault message *Intake* will appear in the display (see "Frequently asked questions"). If the water pressure is too high, a pressure reducer valve must be fitted.


After connecting the dishwasher to the water supply, check that the water intake is airtight.

 To avoid any damage to the appliance, the dishwasher must only be connected to fully vented pipework.

 The intake hose must not be shortened or damaged in any way as it contains electrical components.

Drainage

- The machine comes equipped with a built-in non-return valve on the discharge side to prevent waste water from flowing back into the dishwasher.
- Take the drain line of the dishwasher and attach the drain line as high as possible under the counter rim of the kitchen sink before connecting the end to the drain. The loop will serve to prevent a backed up drain or large volume of water in the sink from siphoning back into the dishwasher.
- The dishwasher is supplied with approx. 5' 11" (1.5 m) of flexible drain hose with an internal diameter of 7/8" (22 mm).
- The drain hose can be extended using extensions and adapters. The drainage length must not be longer than 13' 1 1/2" (4 m) and the delivery head must not exceed 3' 3 3/8" (1 m).
- If the hose is to be directly fitted to the drainage outlet on site, use the hose clip supplied (see installation diagram).
- The hose can be directed to the left or the right of the appliance.
- The on-site connector for the drain hose can be adapted to different widths of hose. If the connector protrudes too far into the drain hose, it will need to be shortened. Otherwise the drain hose may become blocked.
- The drain hose must not be shortened.

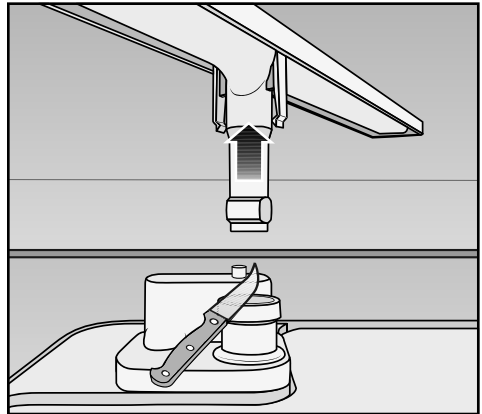
 Make sure that there are no kinks in the hose, and that it is not squashed or stretched.

After servicing the appliance, ensure that the drain does not leak.

Venting the drain

If the on-site drain connection is situated lower than the guide path for the bottom basket rollers in the open door, the drain must be vented. Otherwise a siphoning effect during a program can cause the appliance to empty itself of water.

- To vent: open the dishwasher door fully.



- Pull the lower spray arm firmly upwards to remove it.
- Cut off the top of the vent valve in the wash cabinet.

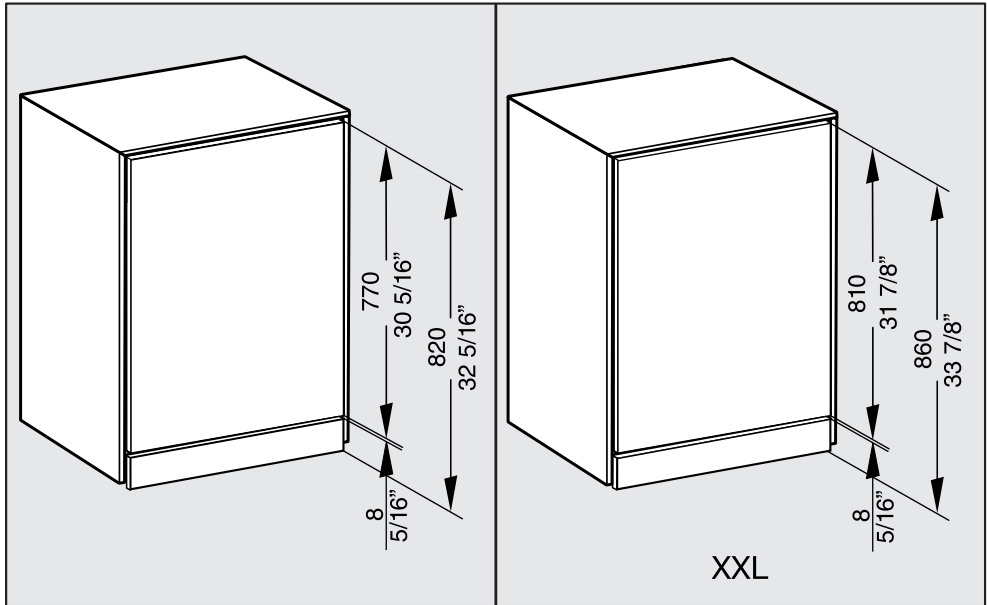
Sound emission testing

Prerequisites for sound emission tests

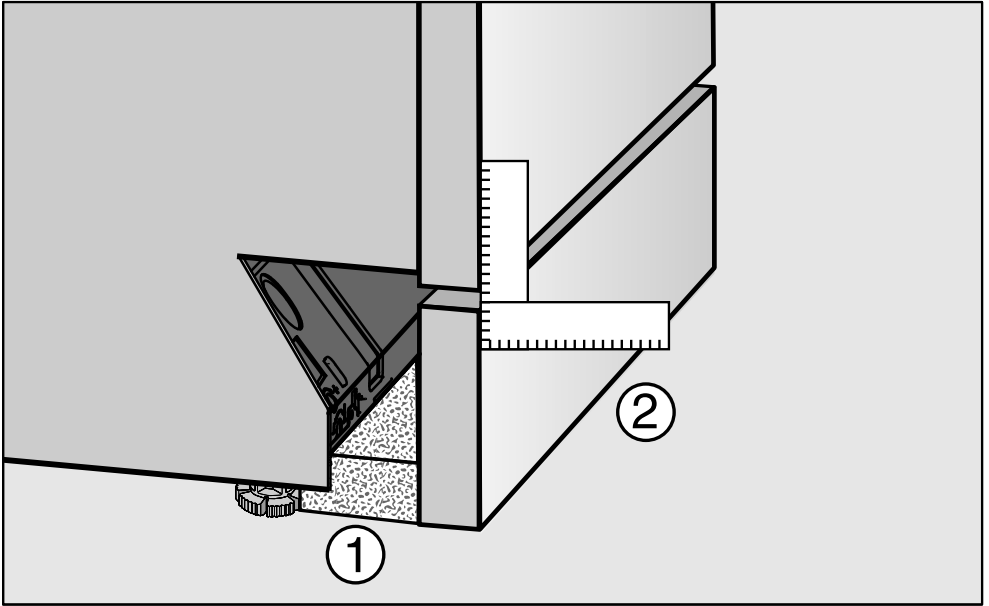
Load the dishwasher with **16 standard place settings** and use the *Normal* program.

Setup for sound emission tests

The dishwasher must be set up according to the following specifications.

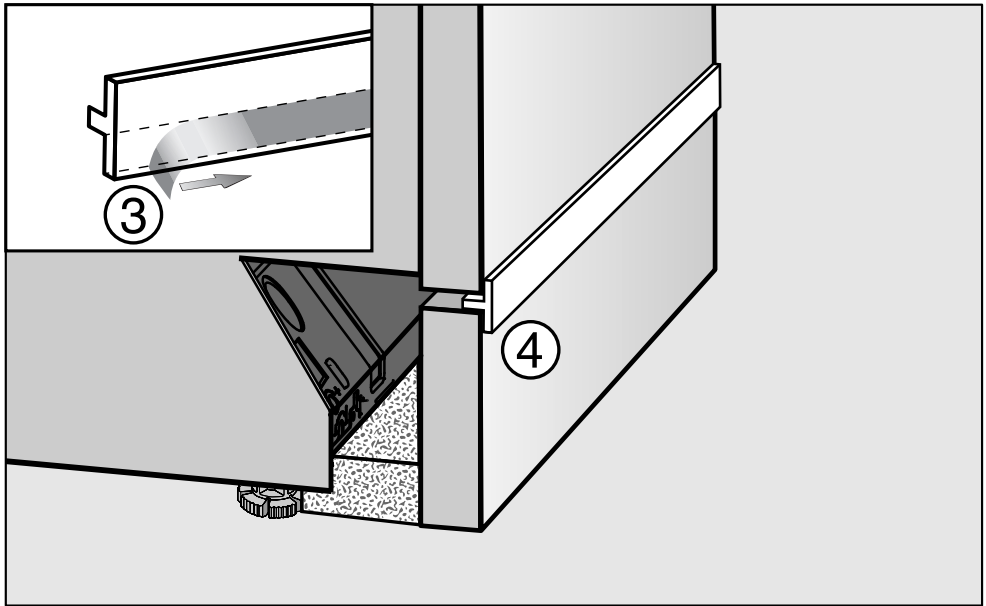


- Install the dishwasher into an analyzing unit.
- Secure the front panel.



- Push the provided fleece strips (depending on model) under the toe-kick until it is flush with the appliance feet ①.
- Push the toe-kick into place in such a way that it is flush with the door front ②.

Sound emission testing



- Remove the protective film from the provided insulating strip (depending on model) ③.
- Push the insulating strip into the front top edge of the toe-kick ④.

Please have the model and serial number of your appliance available before contacting Technical Service.

Miele

U.S.A.

Miele, Inc.

National Headquarters

9 Independence Way
Princeton, NJ 08540

Phone: 800-843-7231
609-419-9898

Fax: 609-419-4298

www.mieleusa.com

Technical Service & Support

Nationwide

Phone: 800-999-1360

Fax: 888-586-8056

TechnicalService@mieleusa.com

Canada

Importer

Miele Limited

Headquarters and Miele Centre

161 Four Valley Drive
Vaughan, ON L4K 4V8

www.miele.ca

Customer Care Centre

Phone: 800-565-6435

905-532-2272

customercare@miele.ca

Germany

Manufacturer

Miele & Cie. KG
Carl-Miele-Straße 29
33332 Gütersloh



www.miele-shop.com

G 6360 / G 6365



en-US

M.-Nr. 10 014 140 / 04